



US00D719497S

(12) **United States Design Patent**
Conroy

(10) **Patent No.:** **US D719,497 S**

(45) **Date of Patent:** **** Dec. 16, 2014**

(54) **UTILITY OR PICKUP VEHICLE TRAY**

(56) **References Cited**

(71) Applicant: **Exhibition & Theatre Projects Pty Ltd.**, Lonsdale (AU)

U.S. PATENT DOCUMENTS

(72) Inventor: **Steven Christopher Conroy**, Happy Valley (AU)

2,845,585	A *	7/1958	Vicenzi et al.	335/278
D224,219	S *	7/1972	Ritter	D12/221
6,086,145	A *	7/2000	Wandyez	296/214
D483,314	S *	12/2003	Graves	D12/221
D498,200	S *	11/2004	Hall et al.	D12/221
D537,770	S *	3/2007	Yamazaki et al.	D12/221
7,708,327	B2 *	5/2010	Lim et al.	296/37.1
D644,979	S *	9/2011	Wenrick et al.	D12/221
D701,815	S *	4/2014	Miller	D12/221
2014/0125083	A1 *	5/2014	Wise et al.	296/39.1

(73) Assignee: **Exhibition & Theatre Projects Pty Ltd.**, Lonsdale, South Australia (AU)

(**) Term: **14 Years**

* cited by examiner

(21) Appl. No.: **29/483,960**

Primary Examiner — Katrina A Betton

(22) Filed: **Mar. 5, 2014**

(74) *Attorney, Agent, or Firm* — Roberts Mlotkowski Safran & Cole, P.C.

(30) **Foreign Application Priority Data**

(57) **CLAIM**

Sep. 5, 2013 (AU) 14423/2013

The ornamental design for a tray for a utility or pickup vehicle tray, as shown and described.

(51) **LOC (10) Cl.** **12-06**

DESCRIPTION

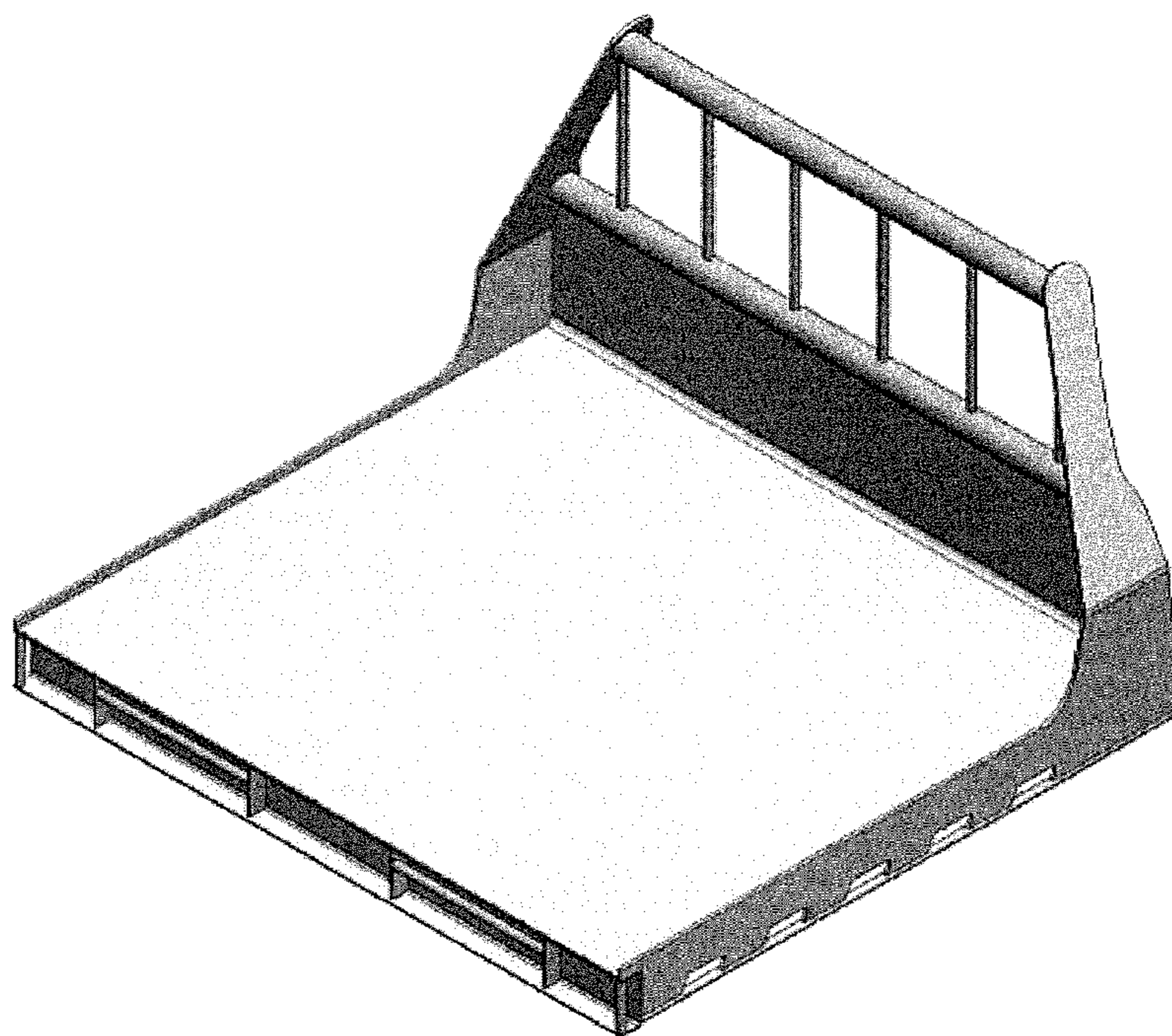
(52) **U.S. Cl.**
USPC **D12/221**

(58) **Field of Classification Search**
USPC D12/221, 98; D9/431-433, 44, 420, D9/422, 423, 424; 229/126, 154, 103.2, 229/240, 127, 157; 296/181.1, 181.2, 296/181.3, 184.1, 39.1, 39.2, 37.6; 29/897.2, 897.3, 897.32

FIG. 1 is an elevated perspective of the tray for a utility or pickup vehicle tray in accordance with the new design; FIG. 2 is a perspective view from beneath thereof; FIG. 3 is a side view thereof; FIG. 4 is a front view thereof; FIG. 5 is a rear view thereof; FIG. 6 is a top view thereof; FIG. 7 is a bottom view thereof; and, FIG. 8 is a side view thereof. In the drawings, the broken lines in FIG. 8 depict a vehicle and form no part of the claimed design.

See application file for complete search history.

1 Claim, 8 Drawing Sheets



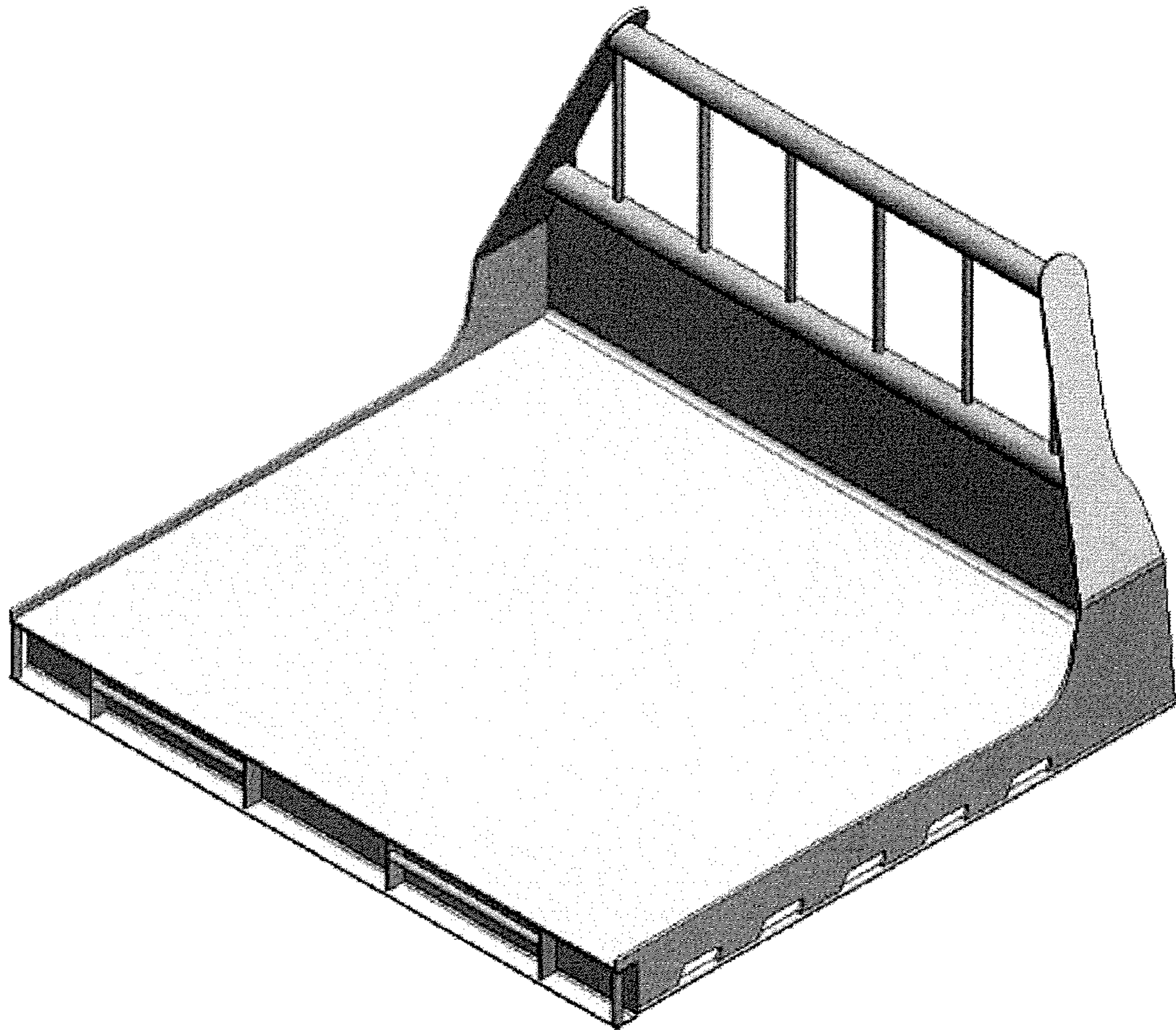
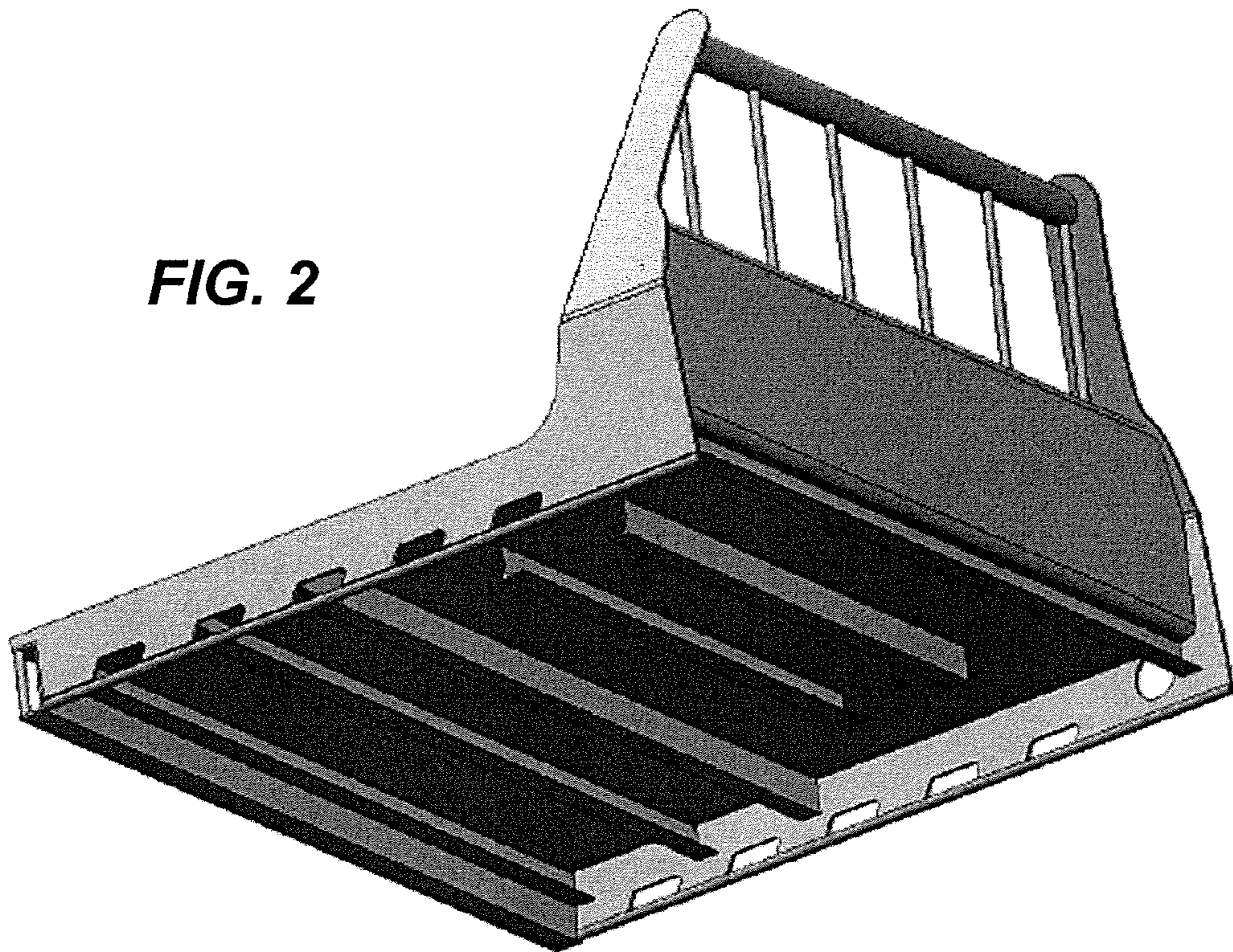


FIG. 1

FIG. 2



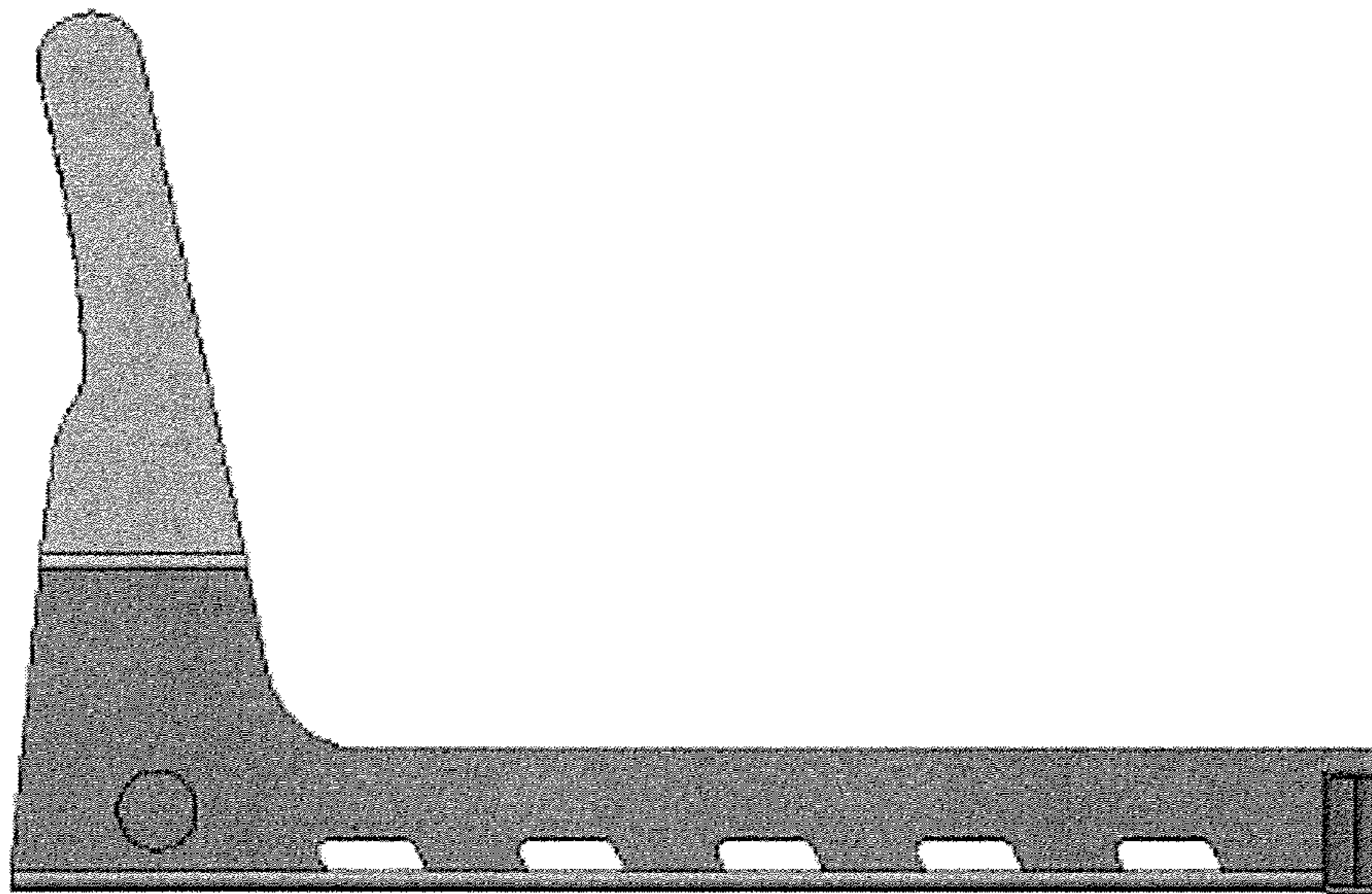


FIG. 3

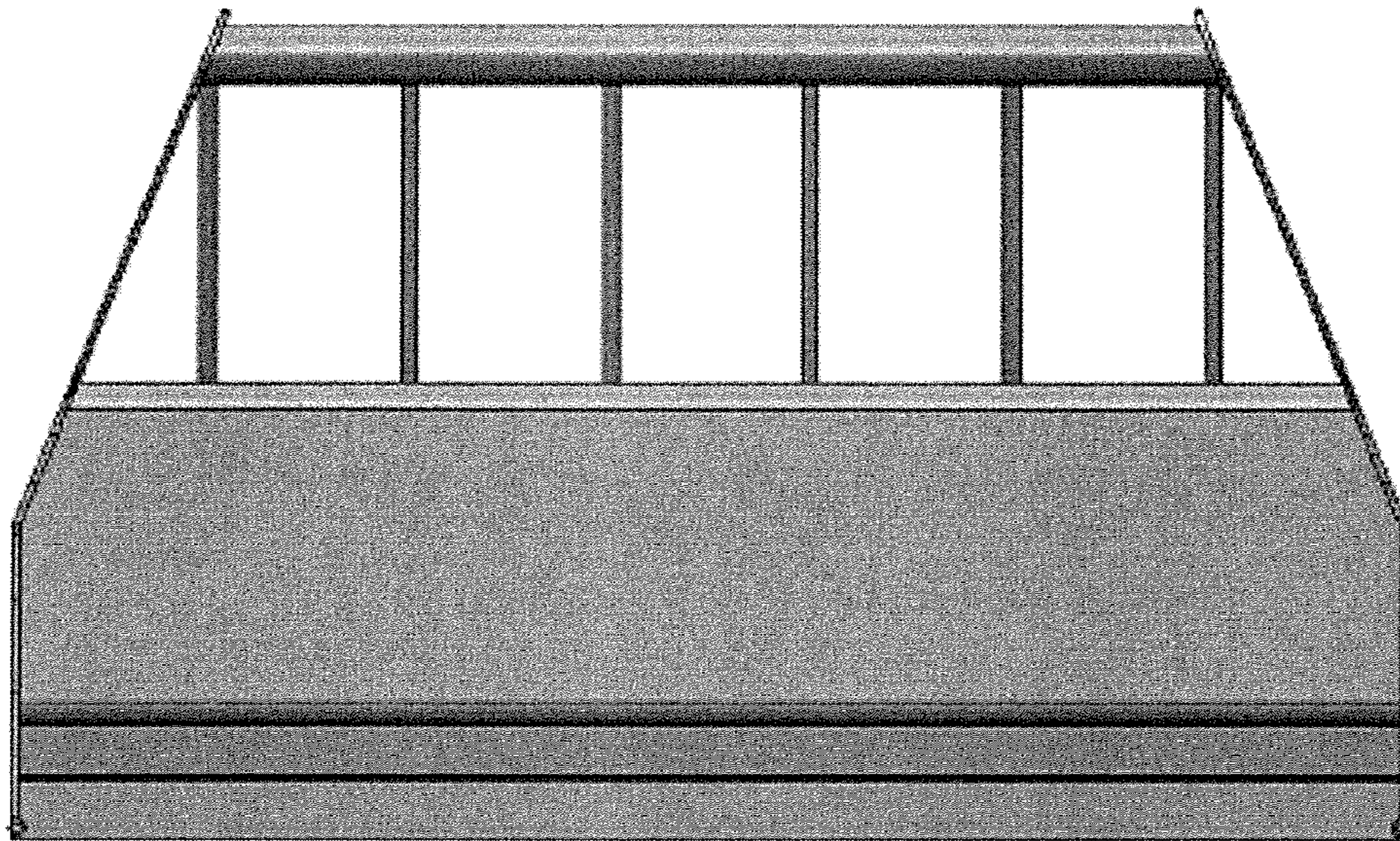


FIG. 4

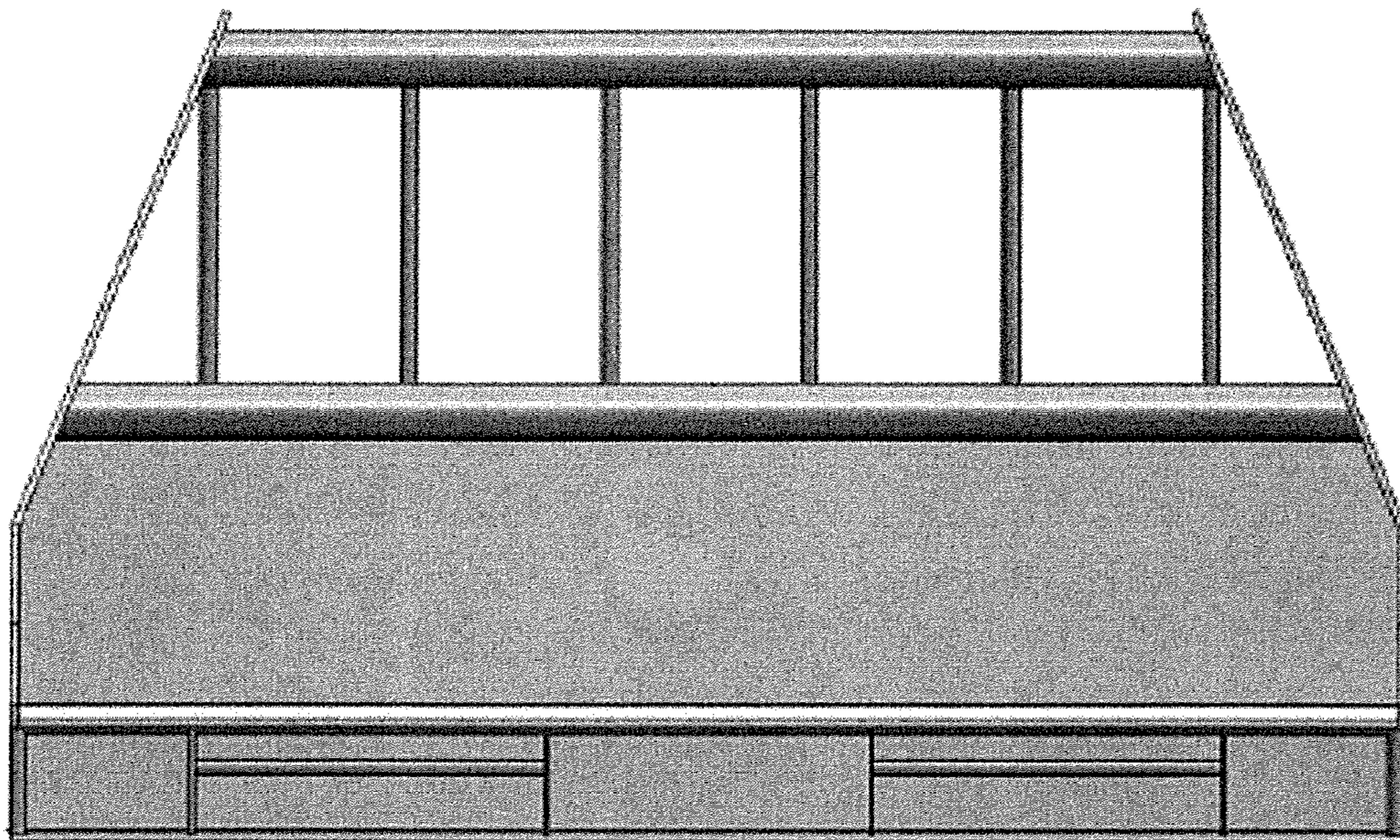


FIG. 5

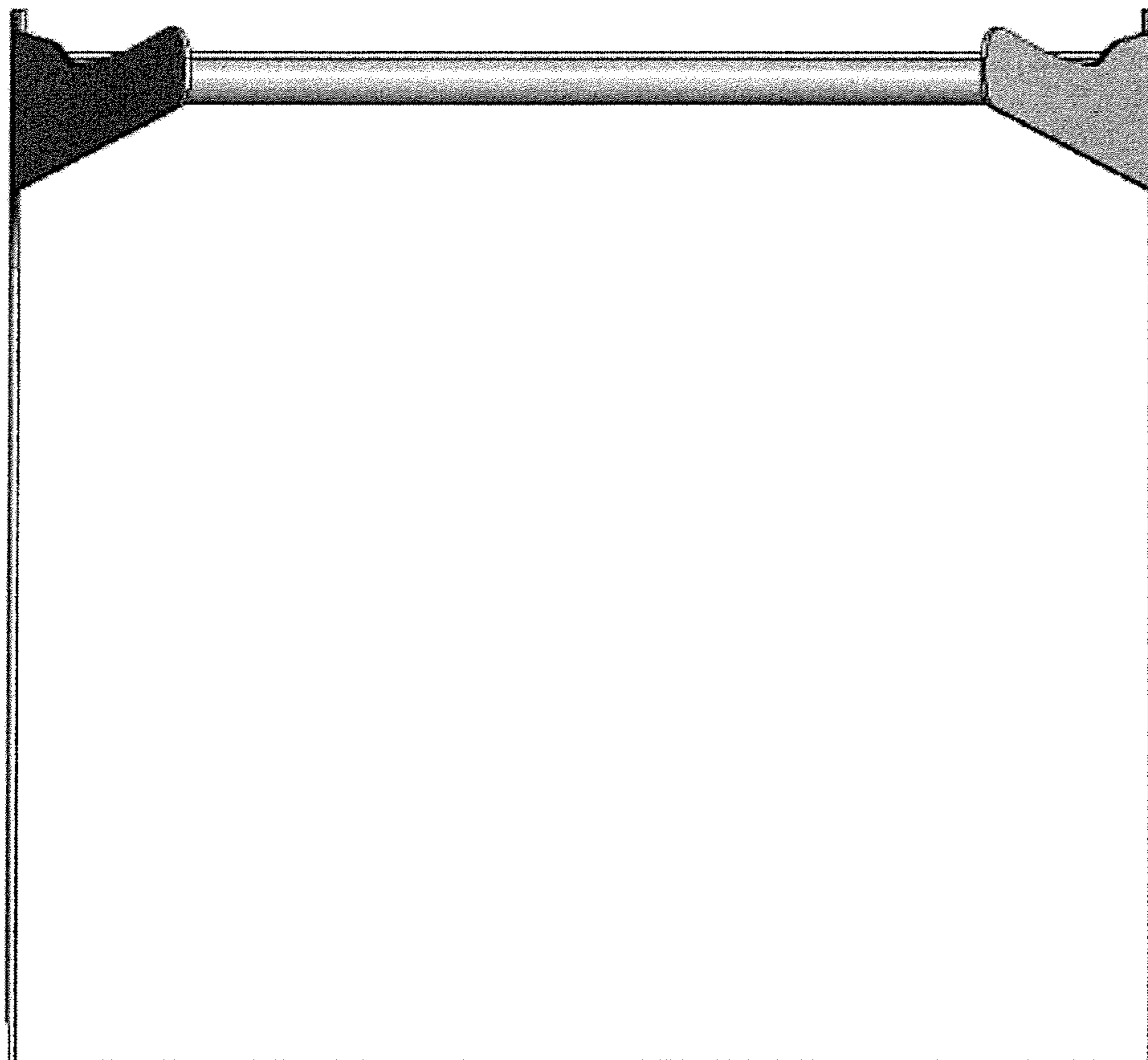


FIG. 6

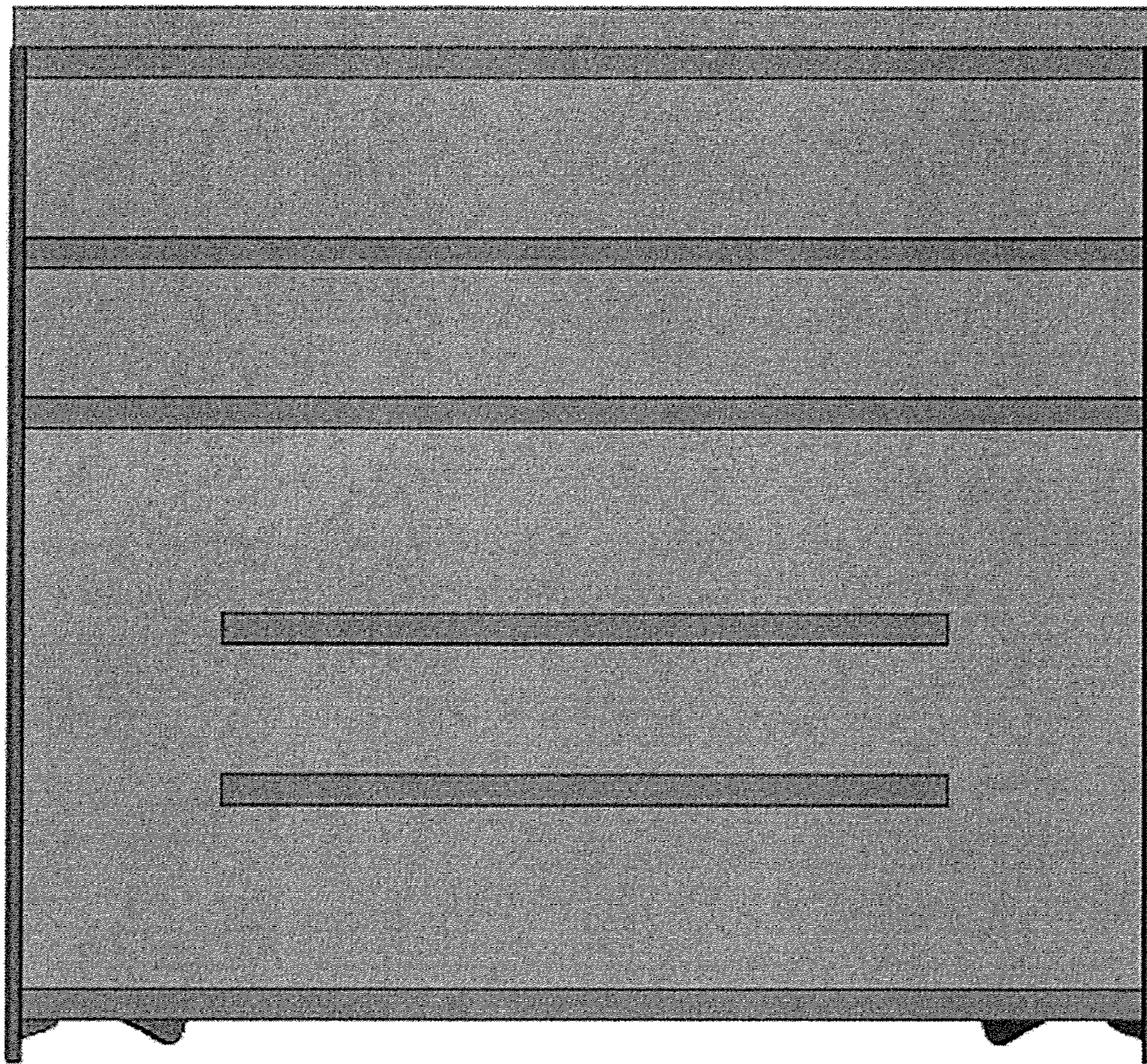


FIG. 7

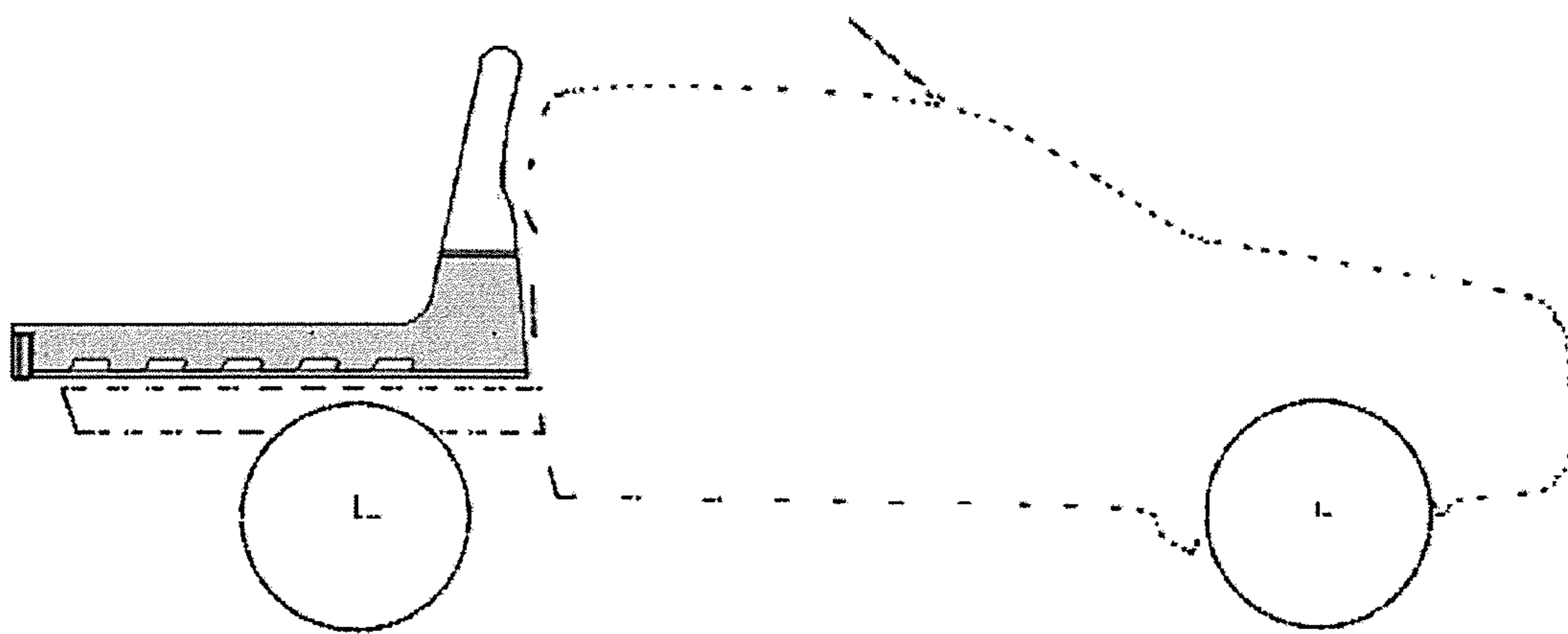


FIG. 8