



US00D719496S

(12) **United States Design Patent**  
**Johnson**

(10) **Patent No.:** **US D719,496 S**

(45) **Date of Patent:** **\*\* Dec. 16, 2014**

(54) **AUTOMOTIVE WHEEL**

(71) Applicant: **Kelly R. Johnson**, City of Industry, CA  
(US)

(72) Inventor: **Kelly R. Johnson**, City of Industry, CA  
(US)

(73) Assignee: **The Wheel Group**, City of Industry, CA  
(US)

(\*\*) Term: **14 Years**

(21) Appl. No.: **29/474,354**

(22) Filed: **Aug. 19, 2014**

(51) **LOC (10) Cl.** ..... **12-16**

(52) **U.S. Cl.**  
USPC ..... **D12/209**

(58) **Field of Classification Search**

CPC ..... B60B 7/00; B60B 7/02; B60B 7/04;  
B60B 7/01; B60B 7/06; B60B 3/02; B60B  
3/04; B60B 3/06; B60B 3/10; B60B 1/00;  
B60B 1/08; B60B 1/10; B60B 1/12

USPC ..... D12/204-213

See application file for complete search history.

(56) **References Cited**

U.S. PATENT DOCUMENTS

D548,167 S *	8/2007	Groom .....	D12/211
D625,241 S *	10/2010	Zhao .....	D12/211
D629,347 S *	12/2010	Kim .....	D12/211
D639,222 S *	6/2011	Johnson .....	D12/209
D639,715 S *	6/2011	Furst et al. ....	D12/209
D644,156 S *	8/2011	Johnson .....	D12/209
D659,069 S *	5/2012	Johnson .....	D12/211
D671,483 S *	11/2012	Chung .....	D12/211
D680,940 S *	4/2013	Hale, Jr. ....	D12/211
D686,963 S *	7/2013	Hale, Jr. ....	D12/211
D691,545 S *	10/2013	Gordon .....	D12/211
D698,300 S *	1/2014	Chung .....	D12/211
D706,196 S *	6/2014	Lee .....	D12/211
D712,334 S *	9/2014	Hale, Jr. ....	D12/211
D715,722 S *	10/2014	Johnson .....	D12/211

\* cited by examiner

*Primary Examiner* — Stacia Cadmus

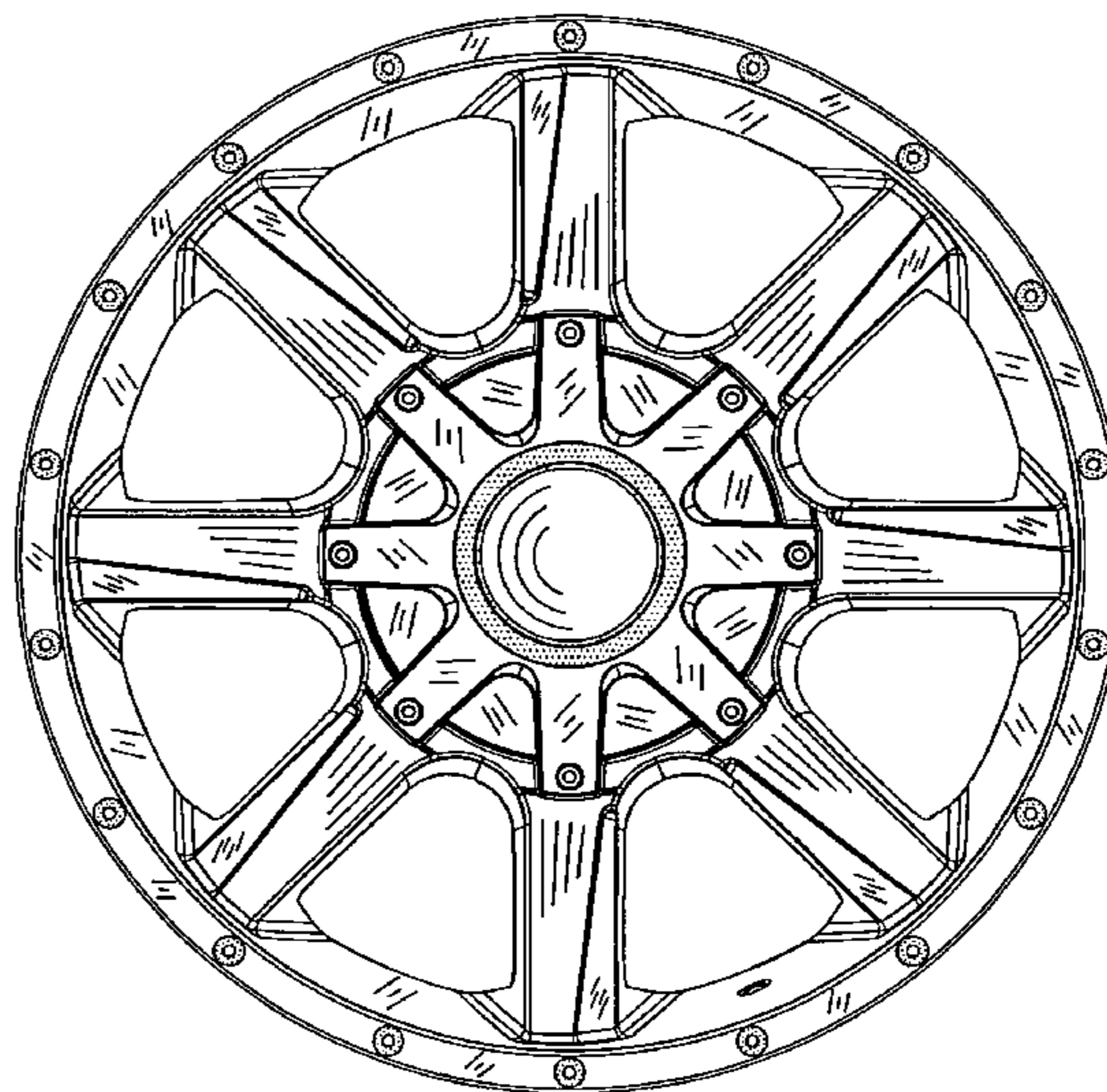
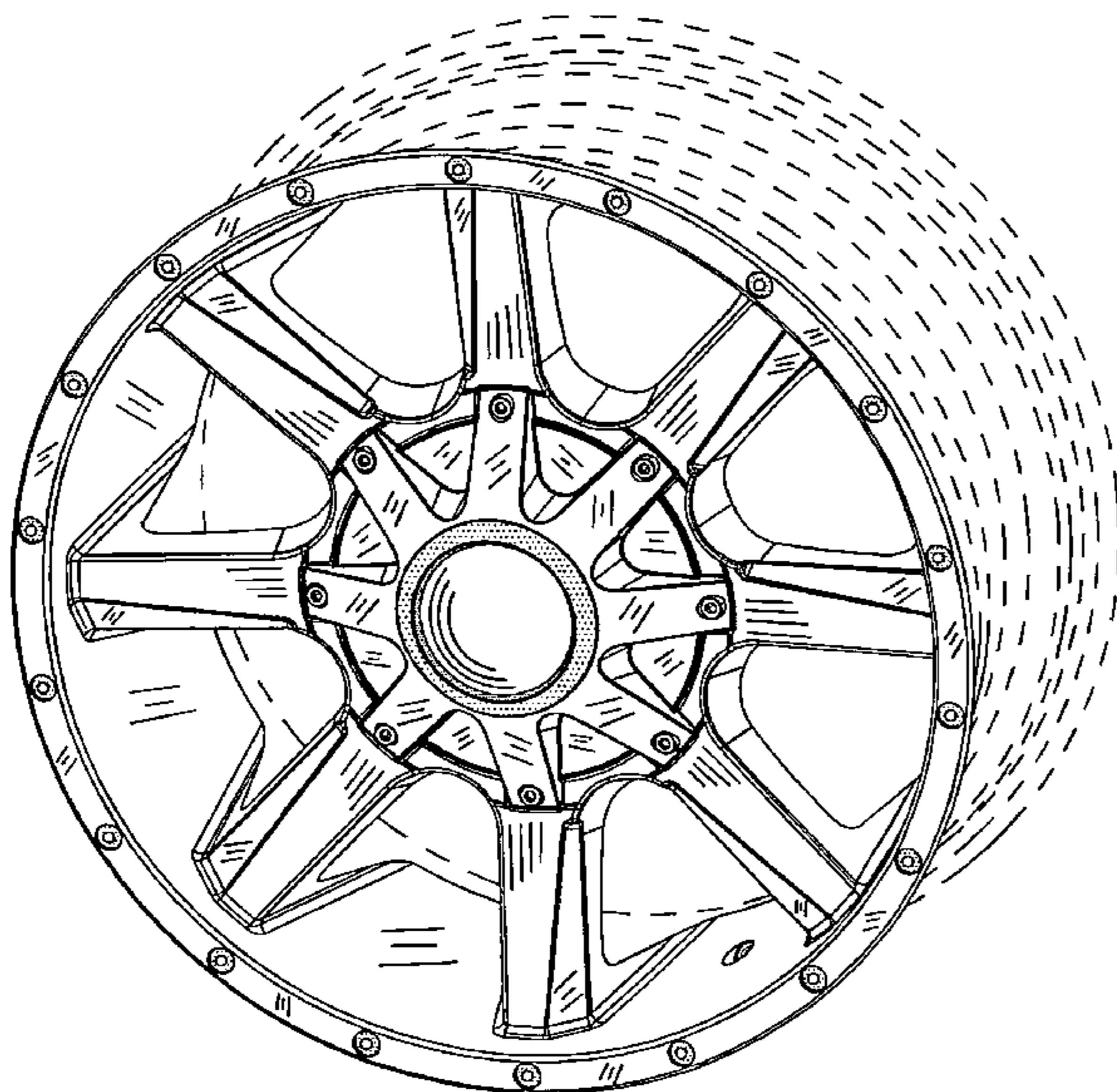
(57) **CLAIM**

The ornamental design for an automotive wheel, as show and described.

**DESCRIPTION**

FIG. 1 is a perspective view of an automotive wheel showing my new design; and, FIG. 2 is a front view thereof. The broken line showing of the rear portion of the wheel rim is included for the purpose of illustrating environment and forms no part of the claimed design.

**1 Claim, 2 Drawing Sheets**



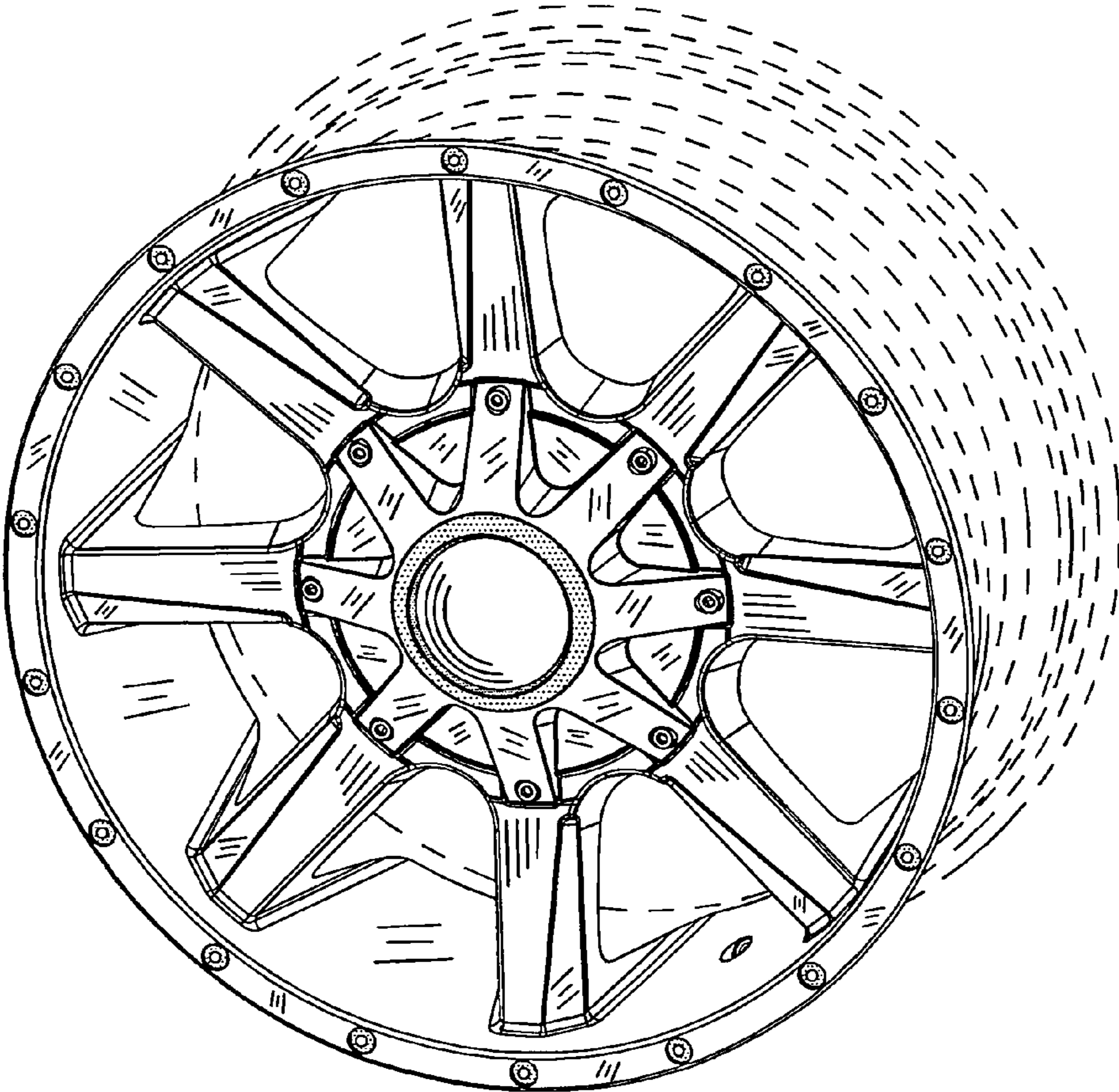


FIG.1

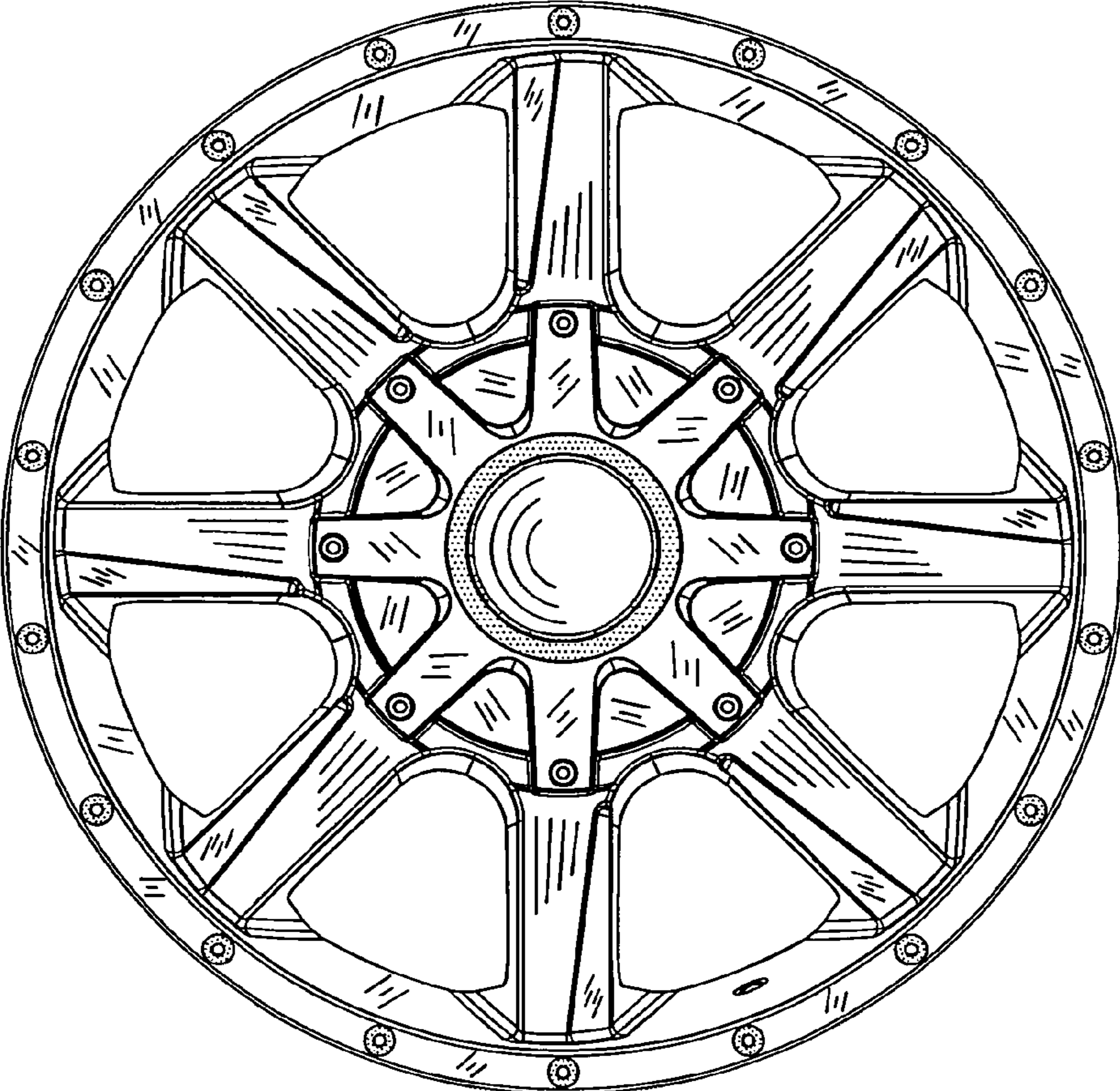


FIG.2