



US00D719492S

(12) **United States Design Patent**  
**Rayl et al.**

(10) **Patent No.:** **US D719,492 S**

(45) **Date of Patent:** **\*\* Dec. 16, 2014**

(54) **STATIONARY BICYCLE RACK**

(56) **References Cited**

(71) Applicant: **Sportworks Northwest, Inc.**,  
Woodinville, WA (US)

U.S. PATENT DOCUMENTS

(72) Inventors: **Eric L. Rayl**, Woodinville, WA (US);  
**Gavin Brink**, Seattle, WA (US)

3,785,500	A	*	1/1974	Kennelly	.....	211/5
D269,000	S	*	5/1983	Girard	.....	D12/115
D327,666	S	*	7/1992	Carlson	.....	D12/115
D337,083	S	*	7/1993	Rankin	.....	D12/115
D369,576	S	*	5/1996	Johnson et al.	.....	D12/115
D449,567	S	*	10/2001	Denney	.....	D12/115
D514,034	S	*	1/2006	Richardson	.....	D12/115
D529,433	S	*	10/2006	Kane	.....	D12/408
D583,716	S	*	12/2008	Ross et al.	.....	D12/115
D632,616	S	*	2/2011	Lohr et al.	.....	D12/115
2004/0251219	A1	*	12/2004	Zimmerman	.....	211/17
2006/0266717	A1	*	11/2006	Tsai	.....	211/17
2013/0228535	A1	*	9/2013	Wood et al.	.....	211/5
2013/0264297	A1	*	10/2013	Long	.....	211/20

(73) Assignee: **Sportworks Northwest Inc.**,  
Woodinville, WA (US)

(\*\*) Term: **14 Years**

\* cited by examiner

(21) Appl. No.: **29/452,865**

(22) Filed: **Apr. 22, 2013**

*Primary Examiner* — Eric Goodman

(51) **LOC (10) Cl.** ..... **12-11**

*Assistant Examiner* — Ryan Harvey

(52) **U.S. Cl.**  
USPC ..... **D12/115**

(74) *Attorney, Agent, or Firm* — Sound Intellectual Property PLLC

(58) **Field of Classification Search**  
USPC ..... D12/408, 407, 406, 414.1, 420, 115;  
224/403, 520, 532, 324, 501, 518, 533,  
224/492, 493, 495, 500, 924, 497, 502, 510,  
224/321, 329, 503, 523, 537, 513, 519, 314,  
224/318, 325, 326, 509, 315, 319, 309, 514,  
224/499, 516, 571, 572, 504, 323, 322;  
24/301; 211/20, 17, 4, 22, 5, 21, 198,  
211/200; 248/164; 362/549; D8/356;  
D6/716.3; 16/324, 329; 340/432, 5.9,  
340/543, 568.1; 194/205, 247, 902;  
235/381, 382; 70/233, 57, 235

(57) **CLAIM**

We claim the ornamental design for a stationary bicycle rack,  
as shown and described.

**DESCRIPTION**

FIG. 1 is a perspective view of a stationary bicycle rack according to the invention;  
FIG. 2 is a front elevation view of the stationary bicycle rack;  
FIG. 3 is a rear elevation view of the stationary bicycle rack;  
FIG. 4 is a first side elevation view of the stationary bicycle rack;  
FIG. 5 is a second side elevation view of the stationary bicycle rack;  
FIG. 6 is a top plan view of the stationary bicycle rack; and,  
FIG. 7 is a bottom plan view of the stationary bicycle rack.

See application file for complete search history.

**1 Claim, 4 Drawing Sheets**

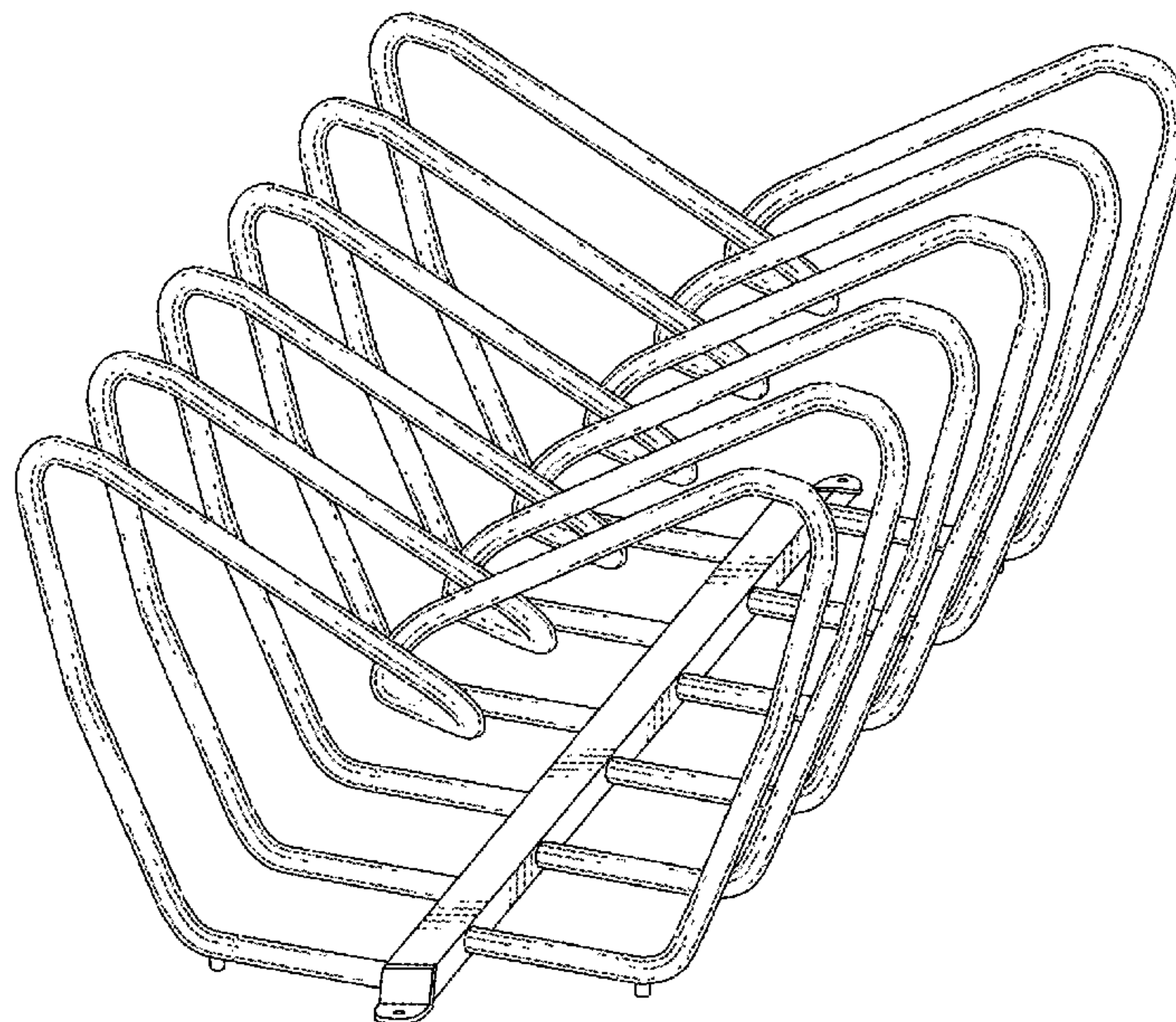


FIG. 1

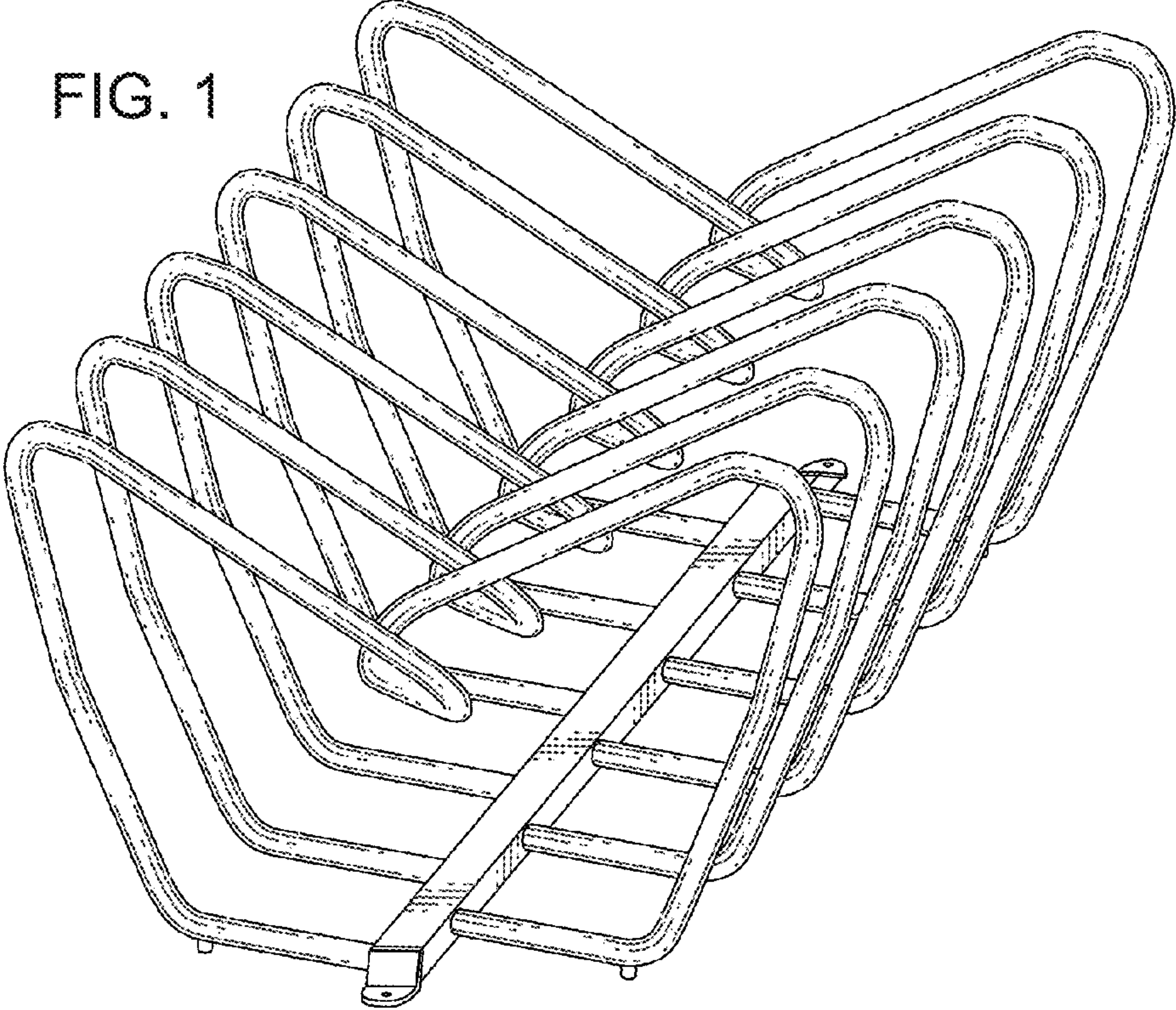


FIG. 2

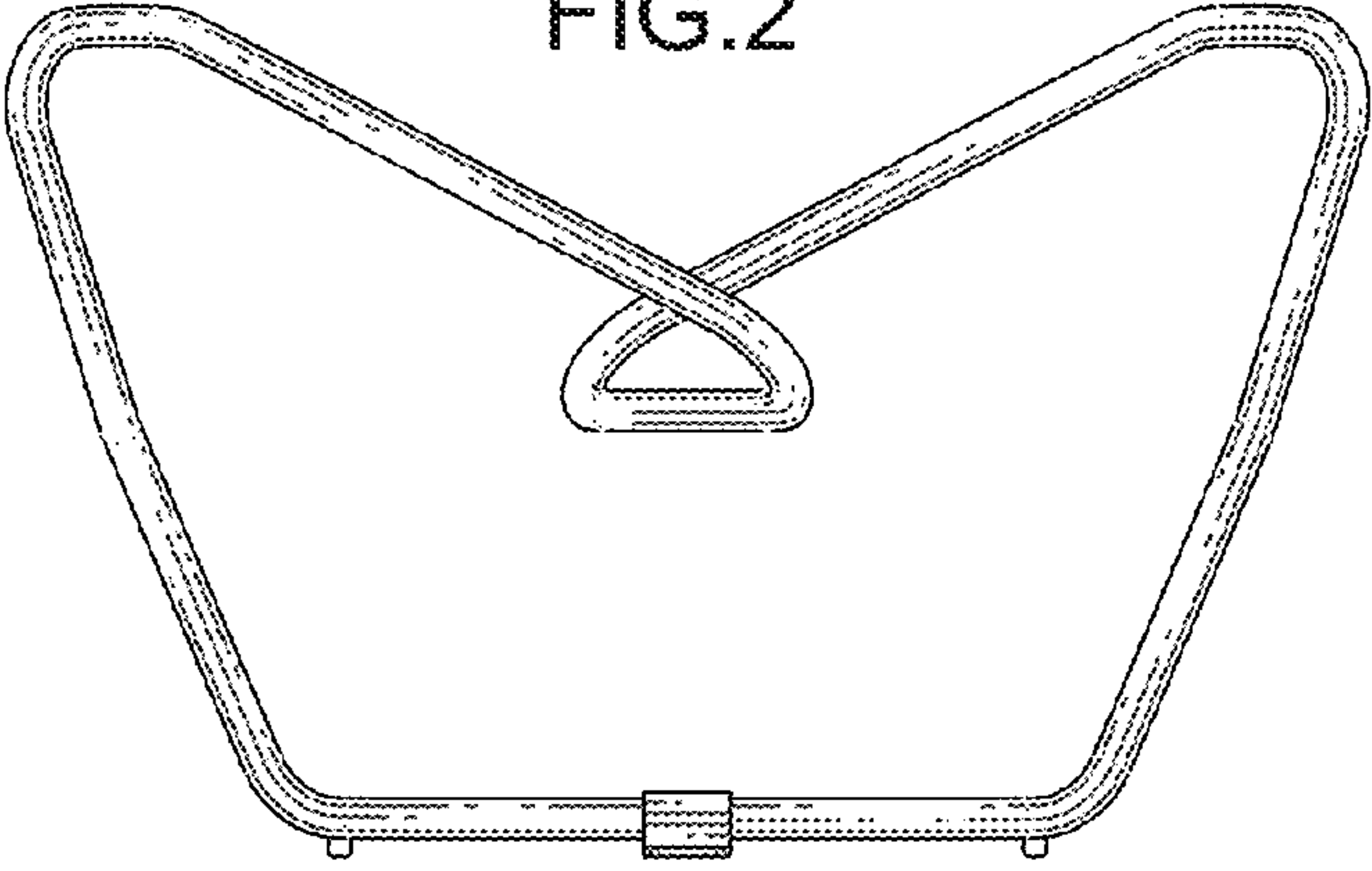


FIG. 3

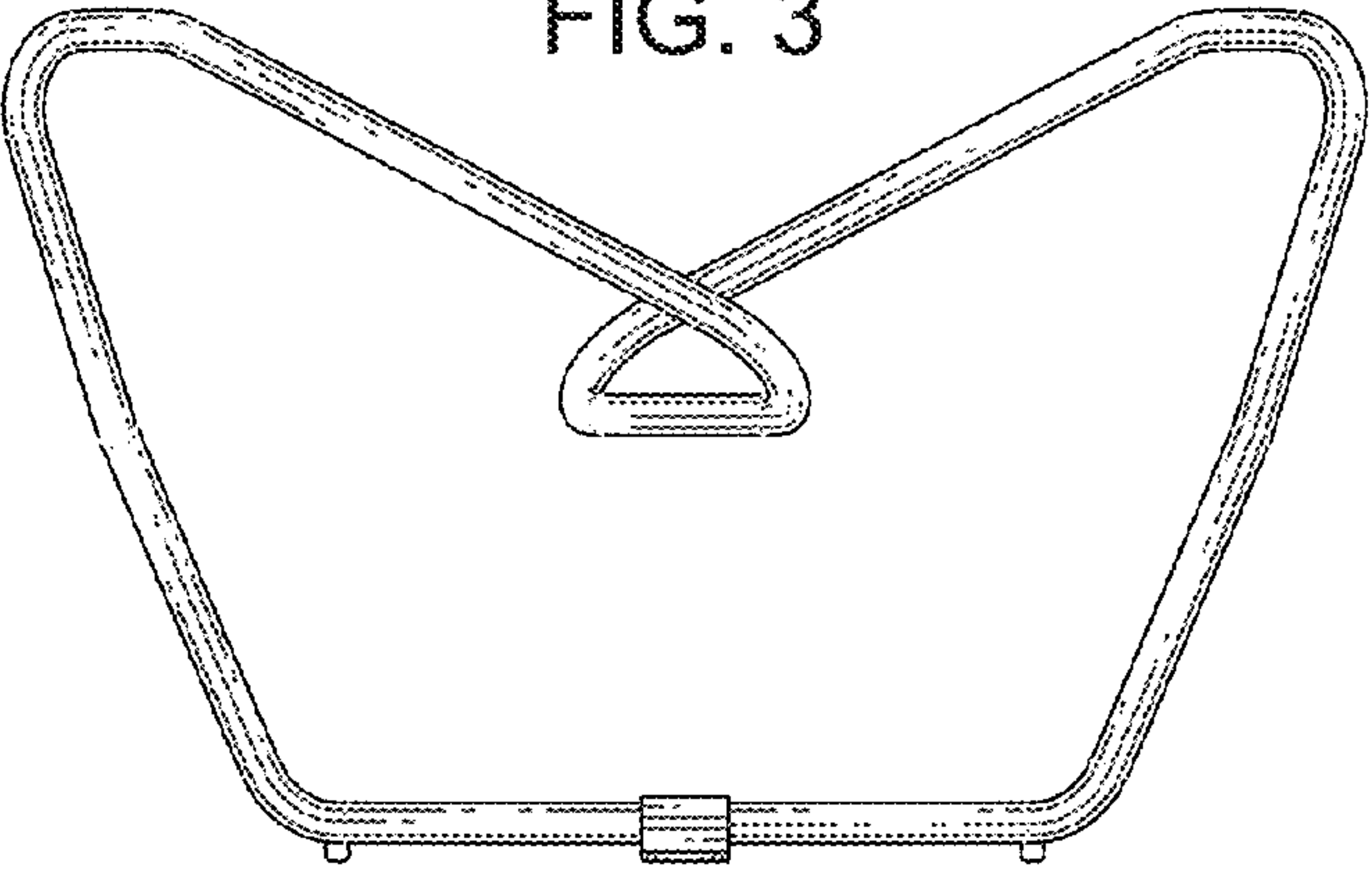




FIG. 4

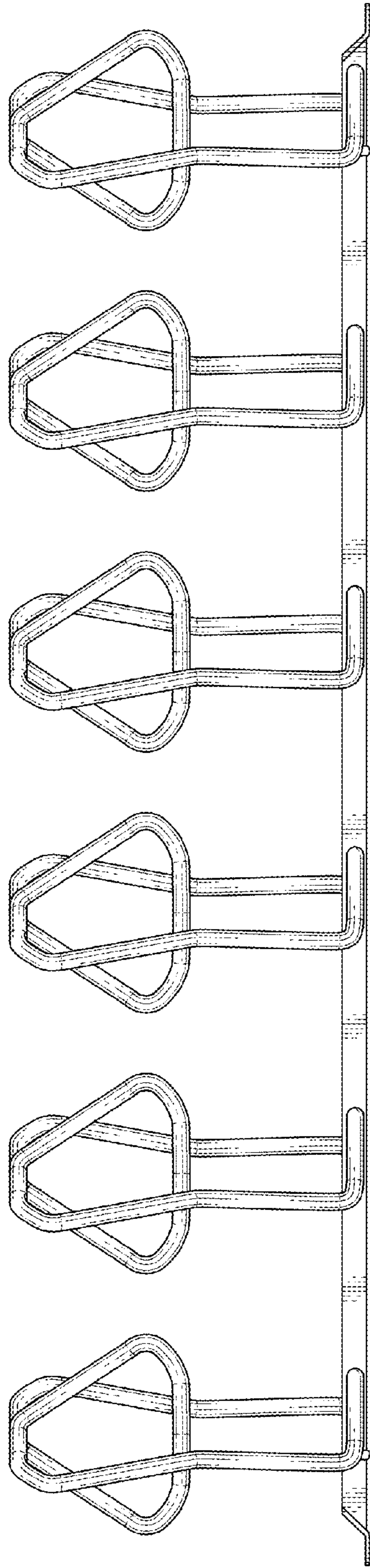
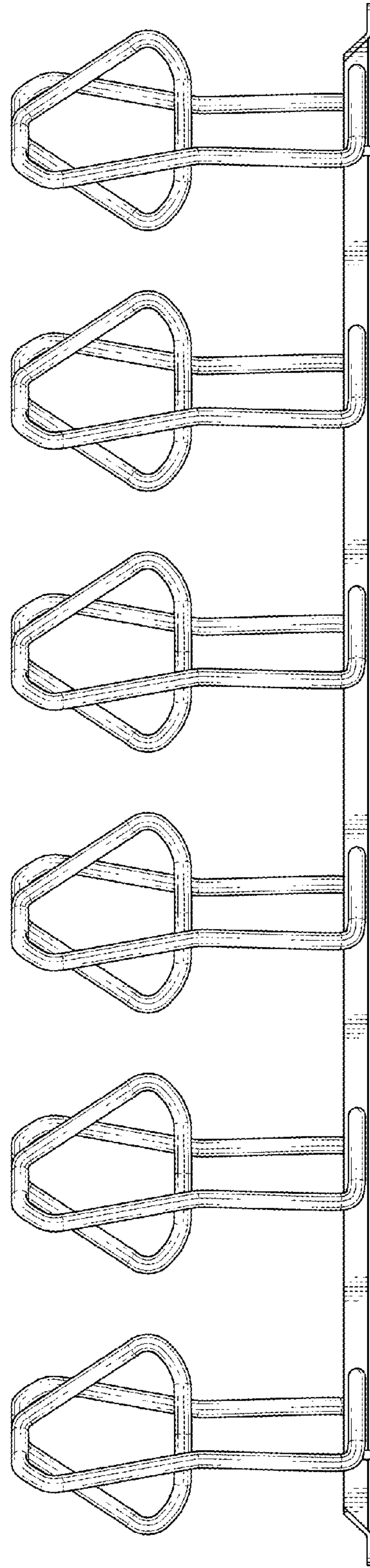


FIG. 5



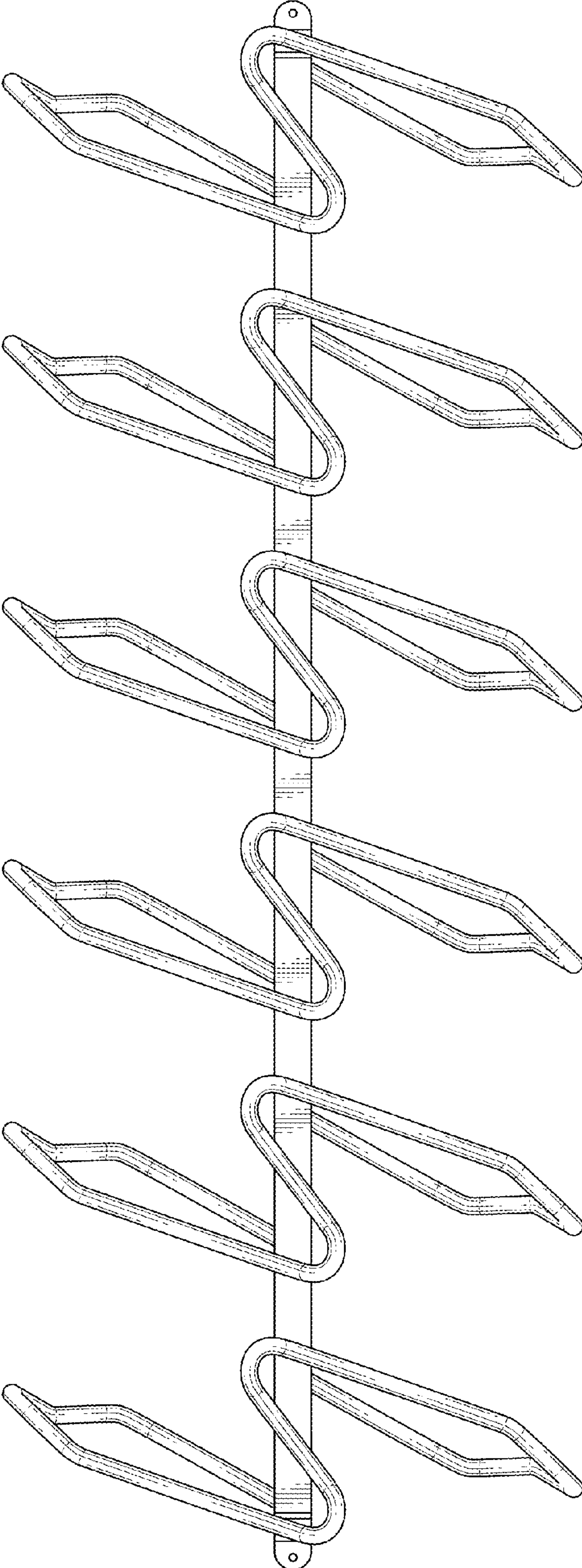


FIG. 6

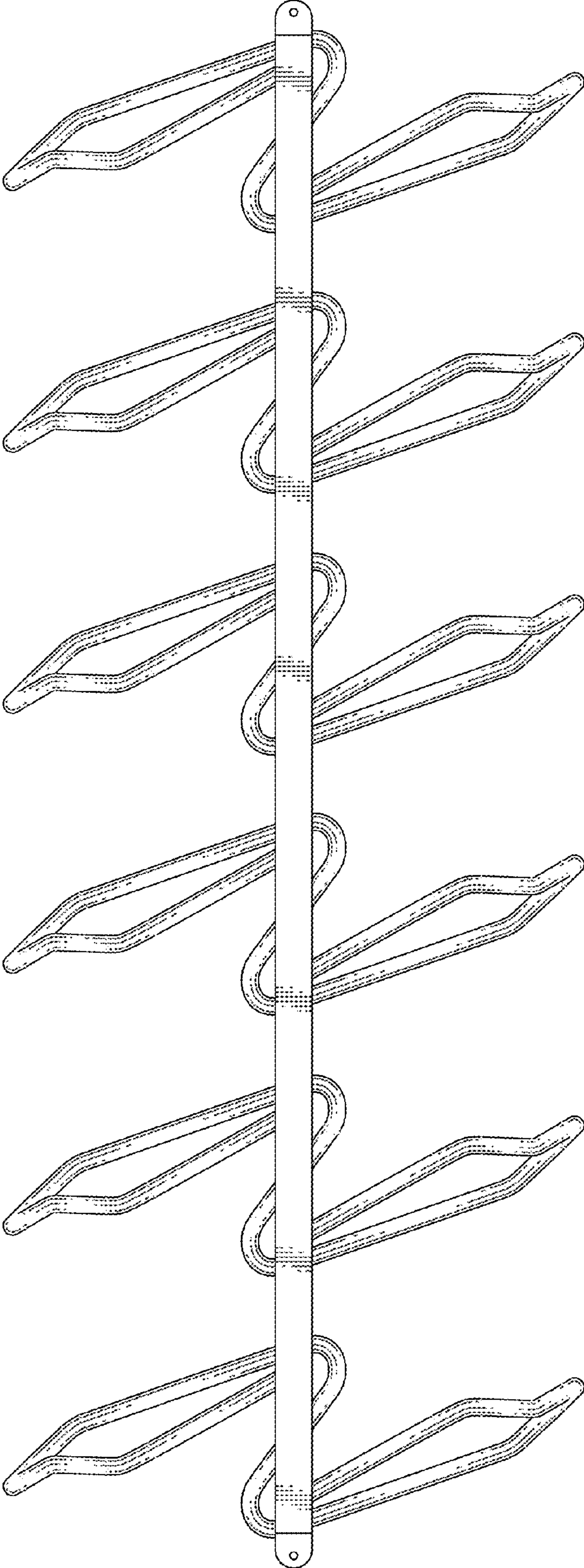


FIG. 7