



US00D719490S

(12) **United States Design Patent**
Hoff et al.

(10) **Patent No.:** **US D719,490 S**

(45) **Date of Patent:** **** Dec. 16, 2014**

(54) **MIRROR ROTATION MOUNT FOR A CYCLE VEHICLE**

(71) Applicants: **Vance A. Hoff**, Grapeview, WA (US);
Phillip G. Larson, Tahuya, WA (US);
Perry D. Hoff, Grapeview, WA (US);
Mark R. Hoff, Belfair, WA (US)

(72) Inventors: **Vance A. Hoff**, Grapeview, WA (US);
Phillip G. Larson, Tahuya, WA (US);
Perry D. Hoff, Grapeview, WA (US);
Mark R. Hoff, Belfair, WA (US)

(73) Assignee: **Old School Products LLC**, Allyn, WA (US)

(**) Term: **14 Years**

(21) Appl. No.: **29/453,403**

(22) Filed: **Apr. 29, 2013**

(51) **LOC (10) Cl.** **12-11**

(52) **U.S. Cl.**
USPC **D12/114**

(58) **Field of Classification Search**

CPC B60R 1/06; B60R 1/072; B60R 1/04;
B60R 1/078; B60R 1/074
USPC 359/842, 872, 882; D23/233; 224/545;
D12/114, 187; 248/487, 475.1, 479;
74/551.8; 84/406, 402; 116/170;
D8/323

See application file for complete search history.

(56) **References Cited**

U.S. PATENT DOCUMENTS

4,362,080 A * 12/1982 DeArmas 84/406
4,433,899 A * 2/1984 Sellet et al. 359/842

4,605,289 A * 8/1986 Levine et al. 359/842
D305,298 S * 1/1990 De Langie D8/323
D365,073 S * 12/1995 Nagano D12/187
D371,950 S * 7/1996 Ressegger et al. D8/323
7,780,298 B2 * 8/2010 Greathouse 359/842
D626,047 S * 10/2010 Owyang D12/187
D633,424 S * 3/2011 Enz D12/187
8,459,810 B2 * 6/2013 Wu 359/872
D705,395 S * 5/2014 Hoff et al. D23/233
2012/0305614 A1 * 12/2012 Lee 224/545
2013/0286493 A1 * 10/2013 Hoff et al. 359/842
2014/0239143 A1 * 8/2014 Hernandez 248/475.1

* cited by examiner

Primary Examiner — Robert M Spear

Assistant Examiner — Ryan Harvey

(74) *Attorney, Agent, or Firm* — Puget Patent; Michael Gibbons

(57) **CLAIM**

The ornamental design for a mirror rotation mount for a cycle vehicle, as shown and described.

DESCRIPTION

FIG. 1 is a perspective view of a mirror rotation mount for a cycle vehicle showing our new design;

FIG. 2 is a close-up of the perspective view of FIG. 1;

FIG. 3 is a top plan view of the mirror rotation mount for a cycle vehicle;

FIG. 4 is a bottom plan view thereof;

FIG. 5 is a rear plan view thereof;

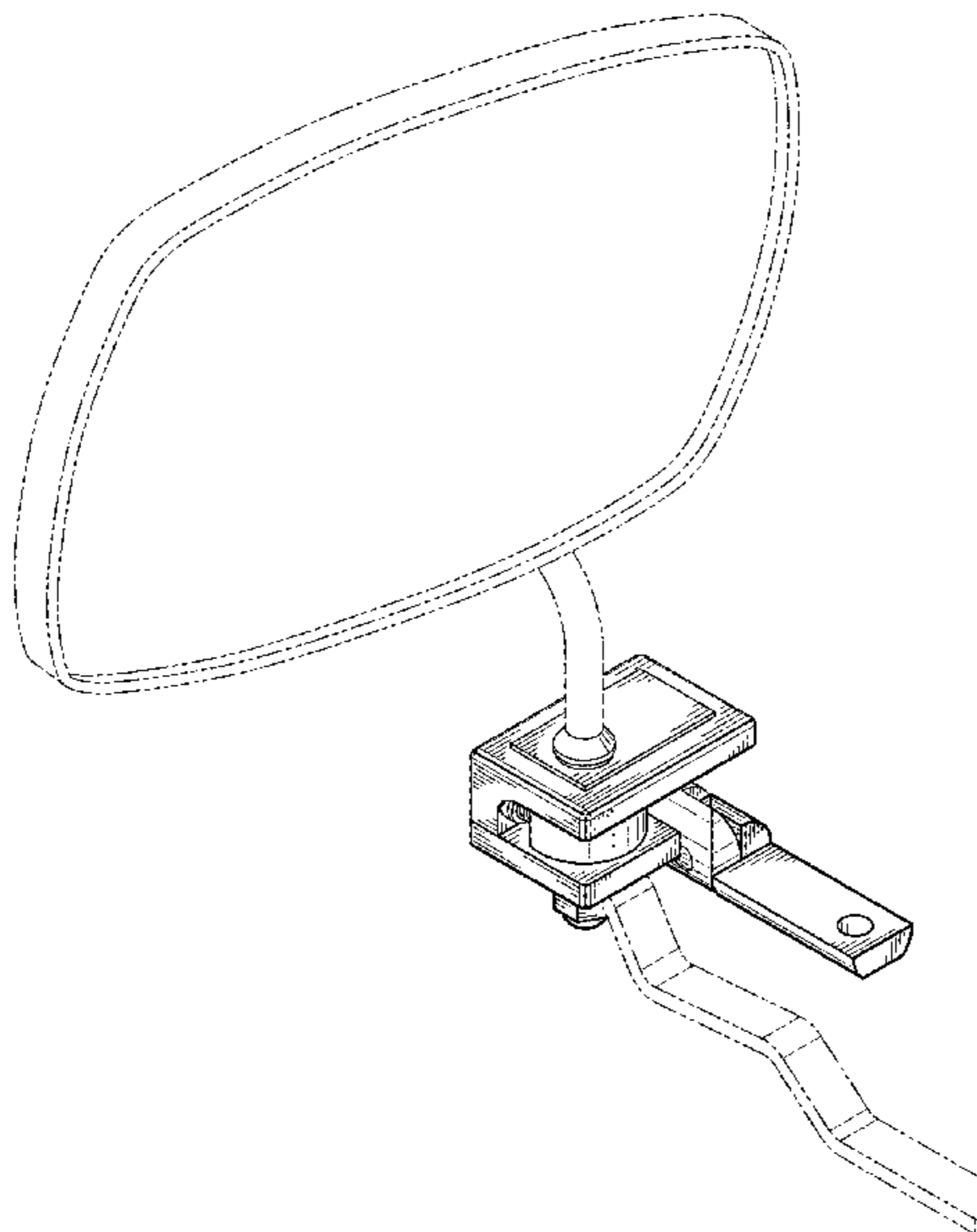
FIG. 6 is a front plan view thereof;

FIG. 7 is a right plan view thereof; and,

FIG. 8 is a left plan view thereof.

In the drawings, the dash-dot-dot-dash lines represent an unclaimed environmental attachment and form no part of the claim.

1 Claim, 7 Drawing Sheets



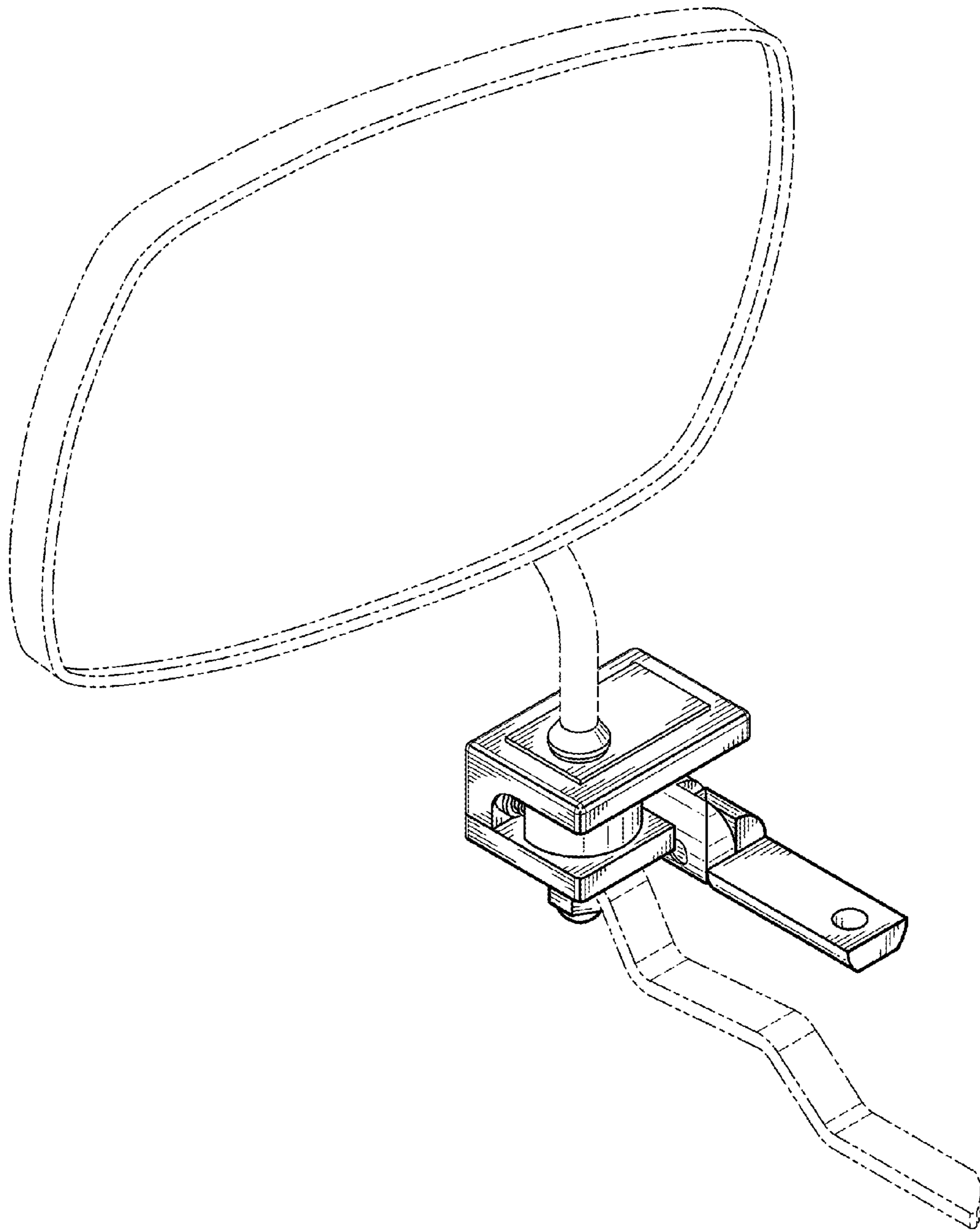


FIG. 1

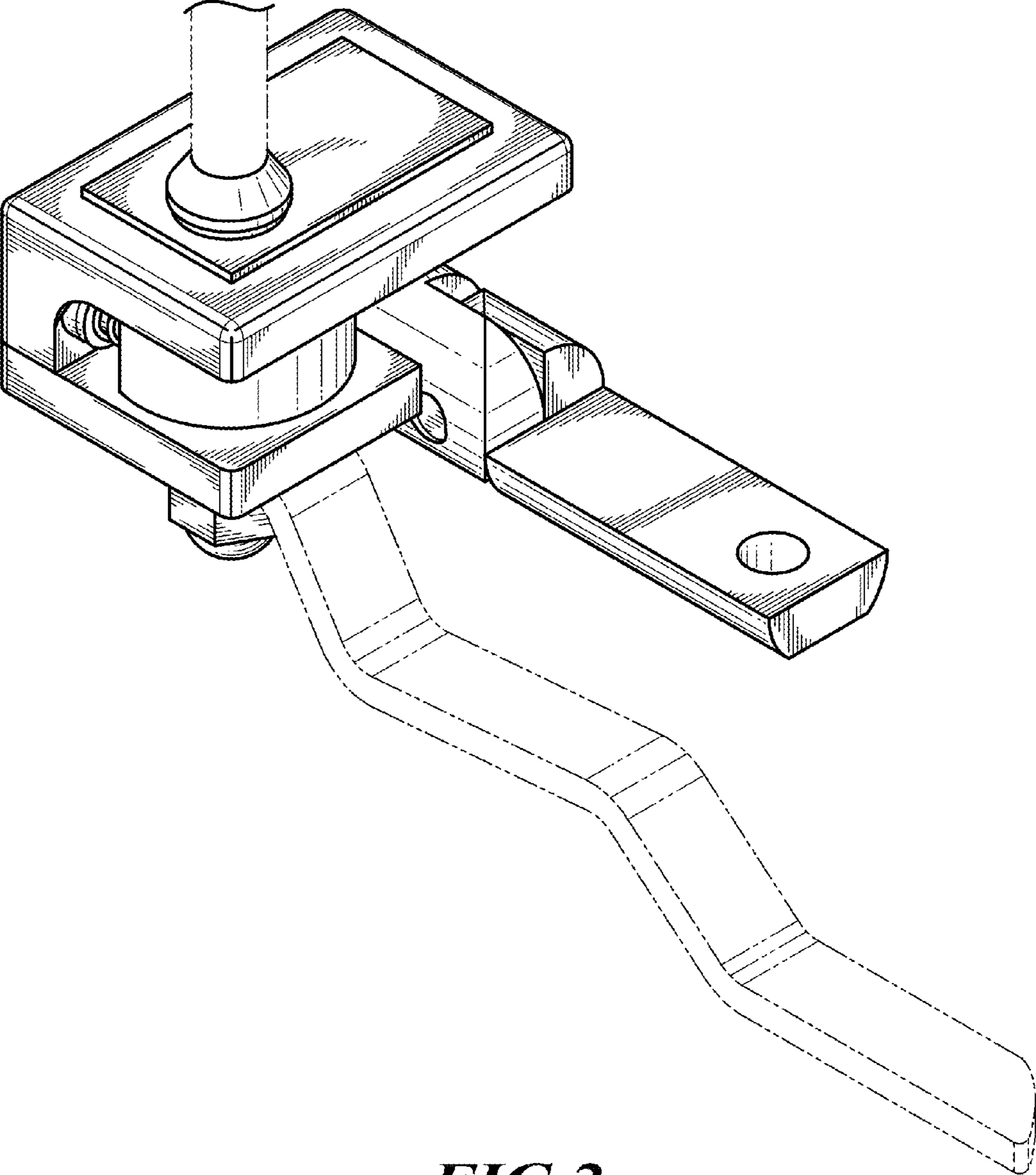


FIG. 2

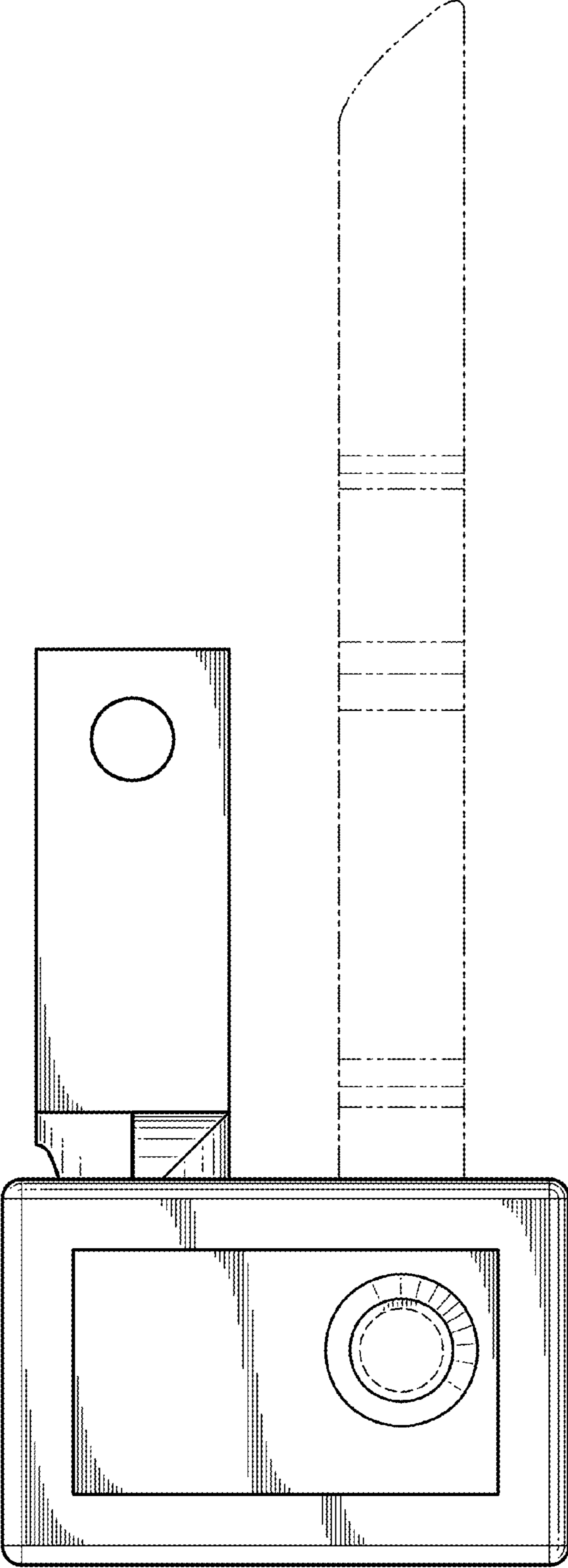


FIG. 3

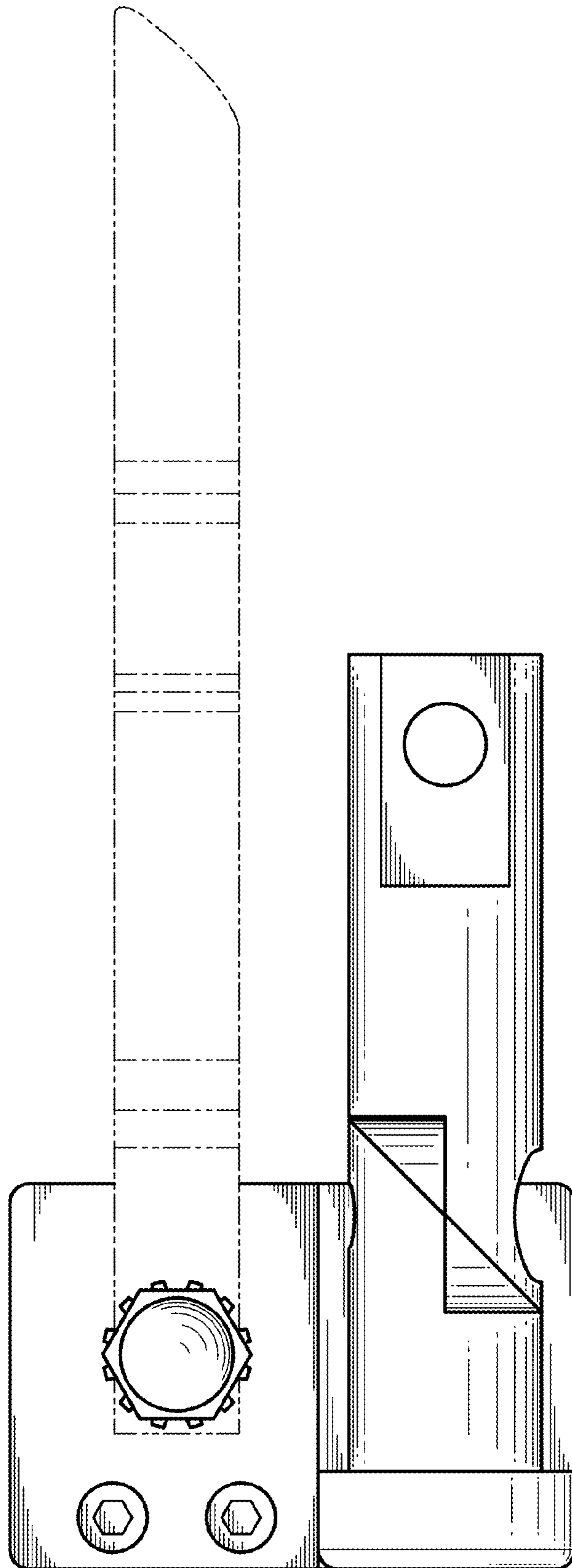


FIG. 4

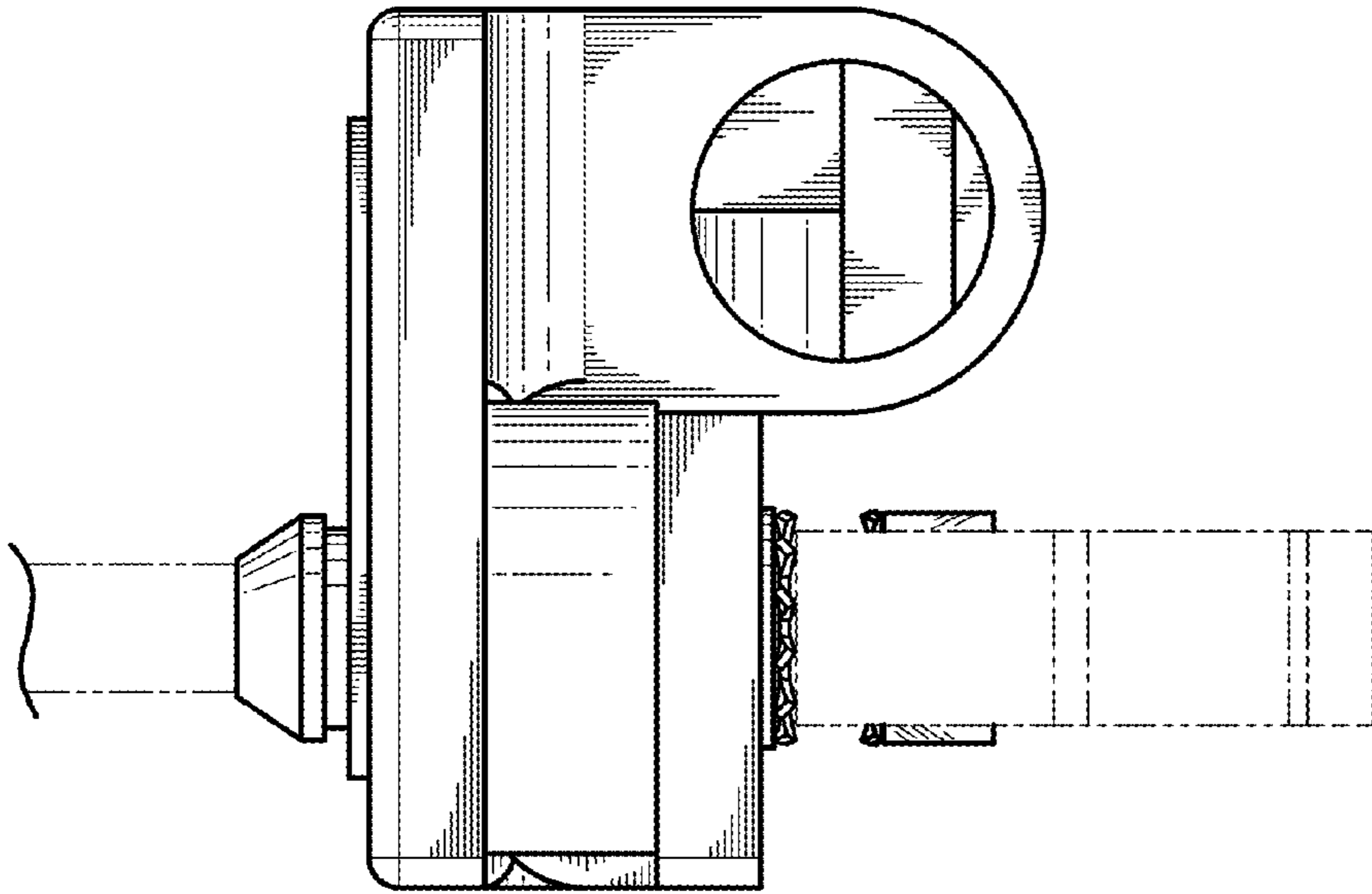


FIG. 5

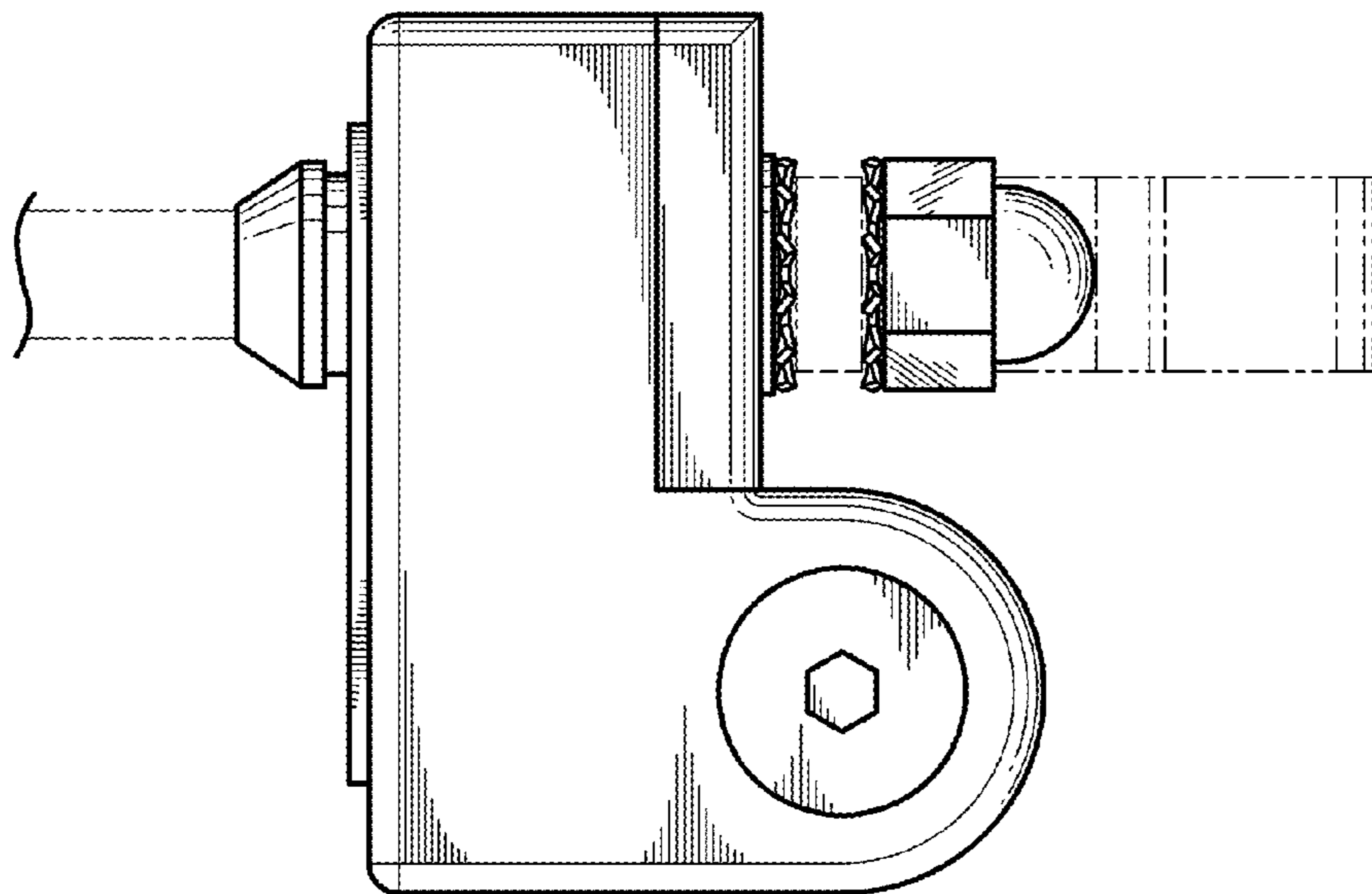


FIG. 6

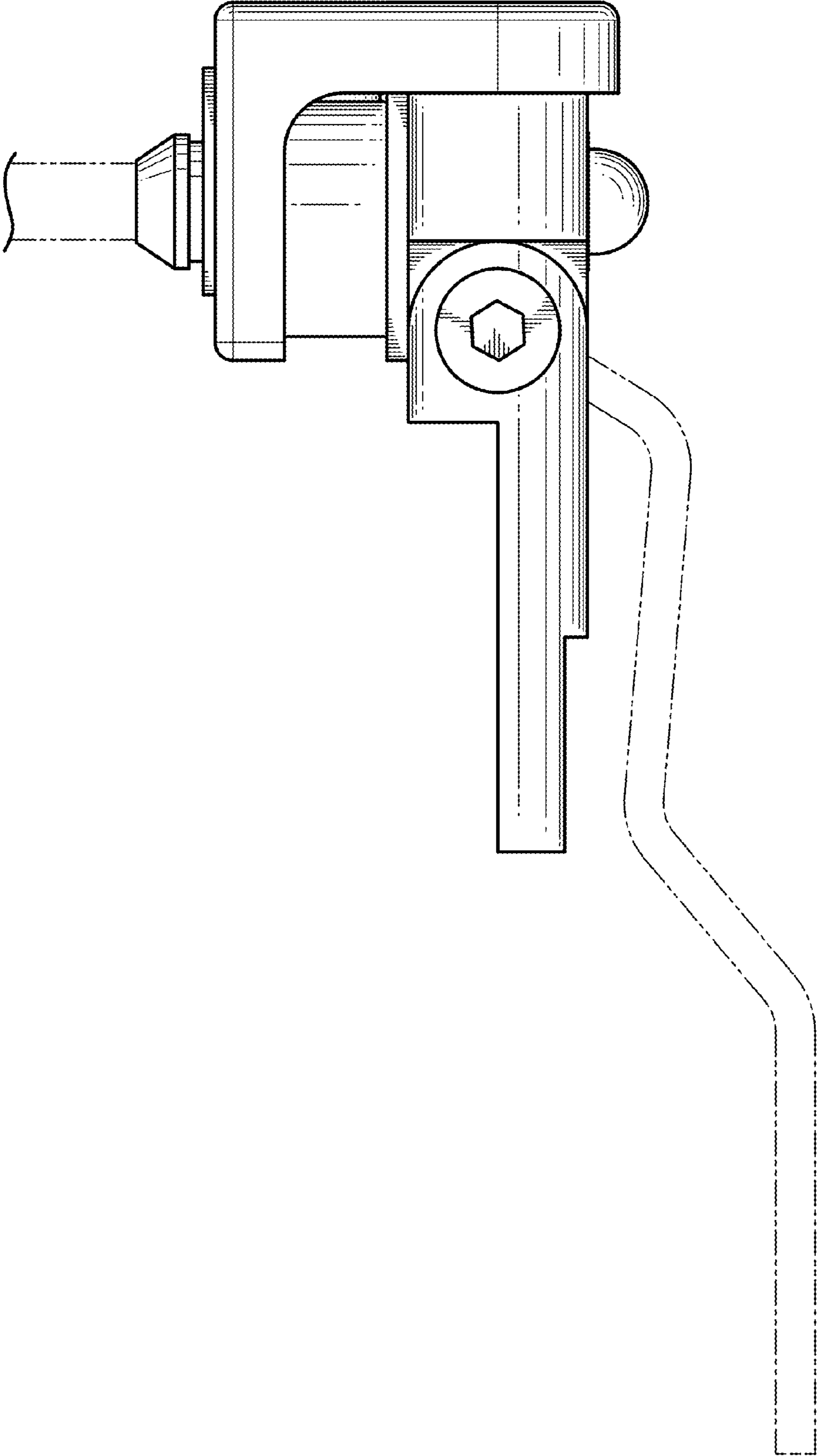


FIG. 7

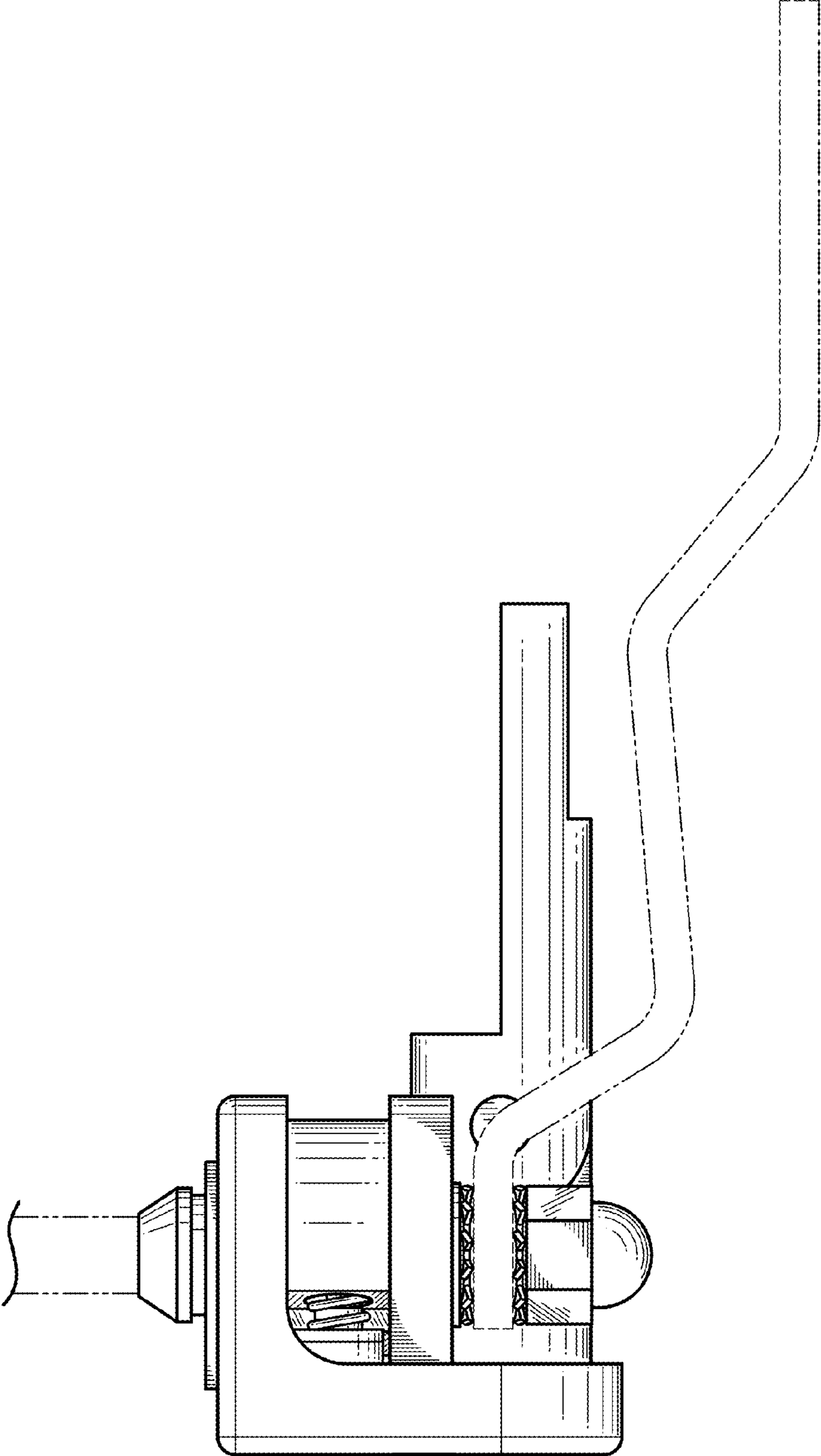


FIG. 8