



US00D719489S

(12) **United States Design Patent**  
**Yang**

(10) **Patent No.:** **US D719,489 S**  
(45) **Date of Patent:** **\*\* Dec. 16, 2014**

(54) **BICYCLE**

(71) Applicant: **Tai-Her Yang**, Dzan-Hwa (TW)

(72) Inventor: **Tai-Her Yang**, Dzan-Hwa (TW)

(\*\*) Term: **14 Years**

(21) Appl. No.: **29/467,200**

(22) Filed: **Sep. 17, 2013**

(30) **Foreign Application Priority Data**

Mar. 19, 2013 (TW) ..... 102301979

(51) **LOC (10) Cl.** ..... **12-11**

(52) **U.S. Cl.**  
USPC ..... **D12/111**

(58) **Field of Classification Search**  
USPC ..... D12/111, 108, 124, 109, 113, 112;  
D21/432, 419, 663, 435, 662; 280/283,  
280/276, 240, 281.1, 284, 256, 286, 265,  
280/268, 271, 288, 257, 279, 288.2, 274,  
280/282, 288.4, 210, 287, 278; 74/594.3,  
74/527; 16/44; 156/294; 180/68.5, 220;  
29/428; 224/419; 297/205, 207, 284.2,  
297/195.1, 215.16, 452.63, 202, 452.1

See application file for complete search history.

(56) **References Cited**

U.S. PATENT DOCUMENTS

D301,438	S	*	6/1989	Hanamura	.....	D12/111
D331,376	S	*	12/1992	Sewell	.....	D12/111
D512,347	S	*	12/2005	Tiyawatchalapong	.....	D12/111
D604,673	S	*	11/2009	Hall	.....	D12/111
D621,303	S	*	8/2010	Tanaka et al.	.....	D12/111
D636,298	S	*	4/2011	Yang	.....	D12/111
D688,599	S	*	8/2013	Silva	.....	D12/111
2014/0159336	A1	*	6/2014	Yu	.....	280/283
2014/0159337	A1	*	6/2014	Yu	.....	280/283
2014/0175771	A1	*	6/2014	Yu	.....	280/284

\* cited by examiner

*Primary Examiner* — Robert M Spear

*Assistant Examiner* — Ryan Harvey

(74) *Attorney, Agent, or Firm* — Bacon & Thomas, PLLC

(57) **CLAIM**

The ornamental design for a bicycle, as shown and described.

**DESCRIPTION**

FIG. 1 is a perspective view of a bicycle showing my new design;  
FIG. 2 is a front view thereof;  
FIG. 3 is a rear view thereof;  
FIG. 4 is a left side view thereof;  
FIG. 5 is a right side view thereof;  
FIG. 6 is a top plan view thereof; and,  
FIG. 7 is a bottom plan view thereof.

**1 Claim, 4 Drawing Sheets**

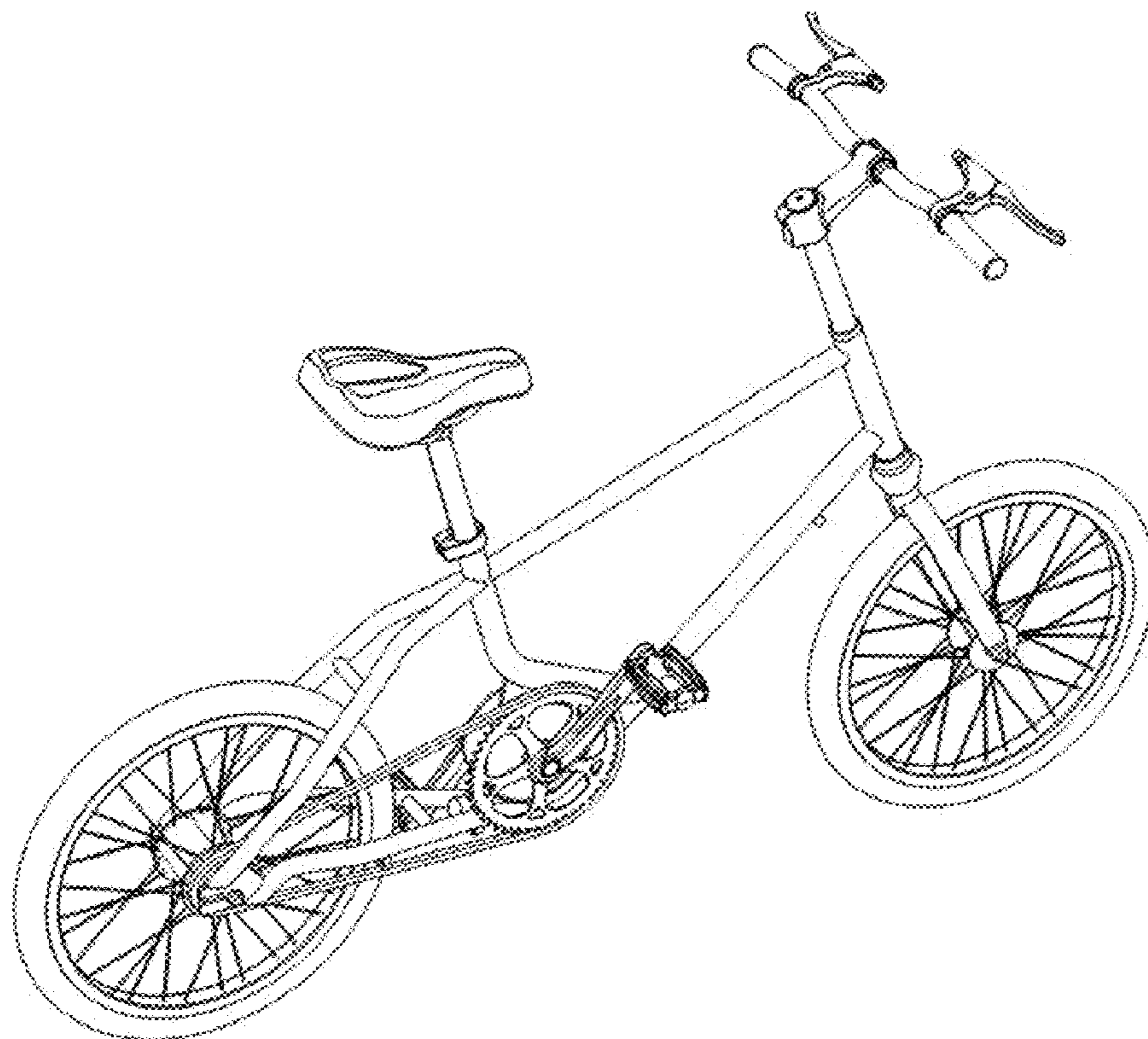




FIG. 1

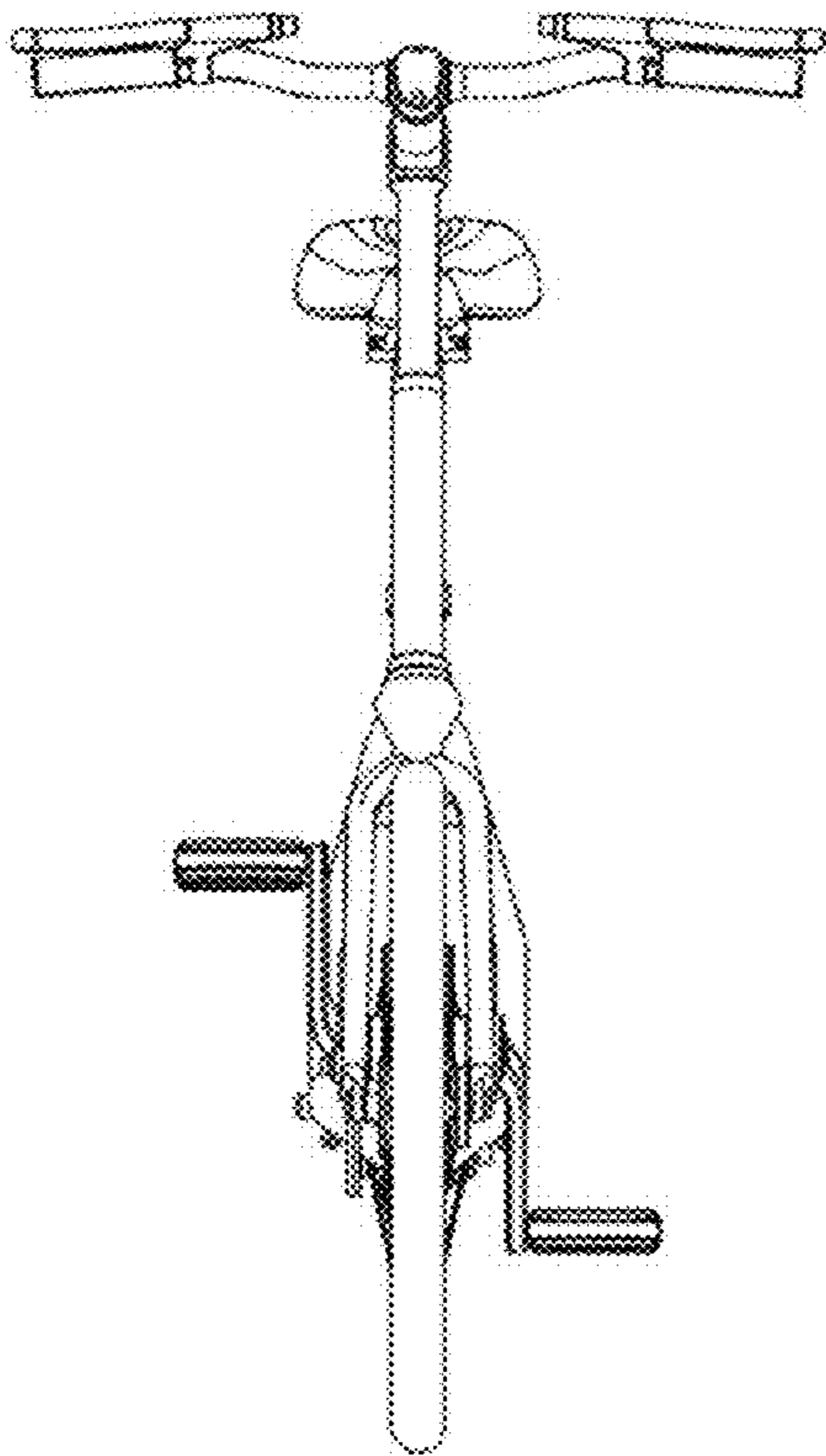


FIG. 2

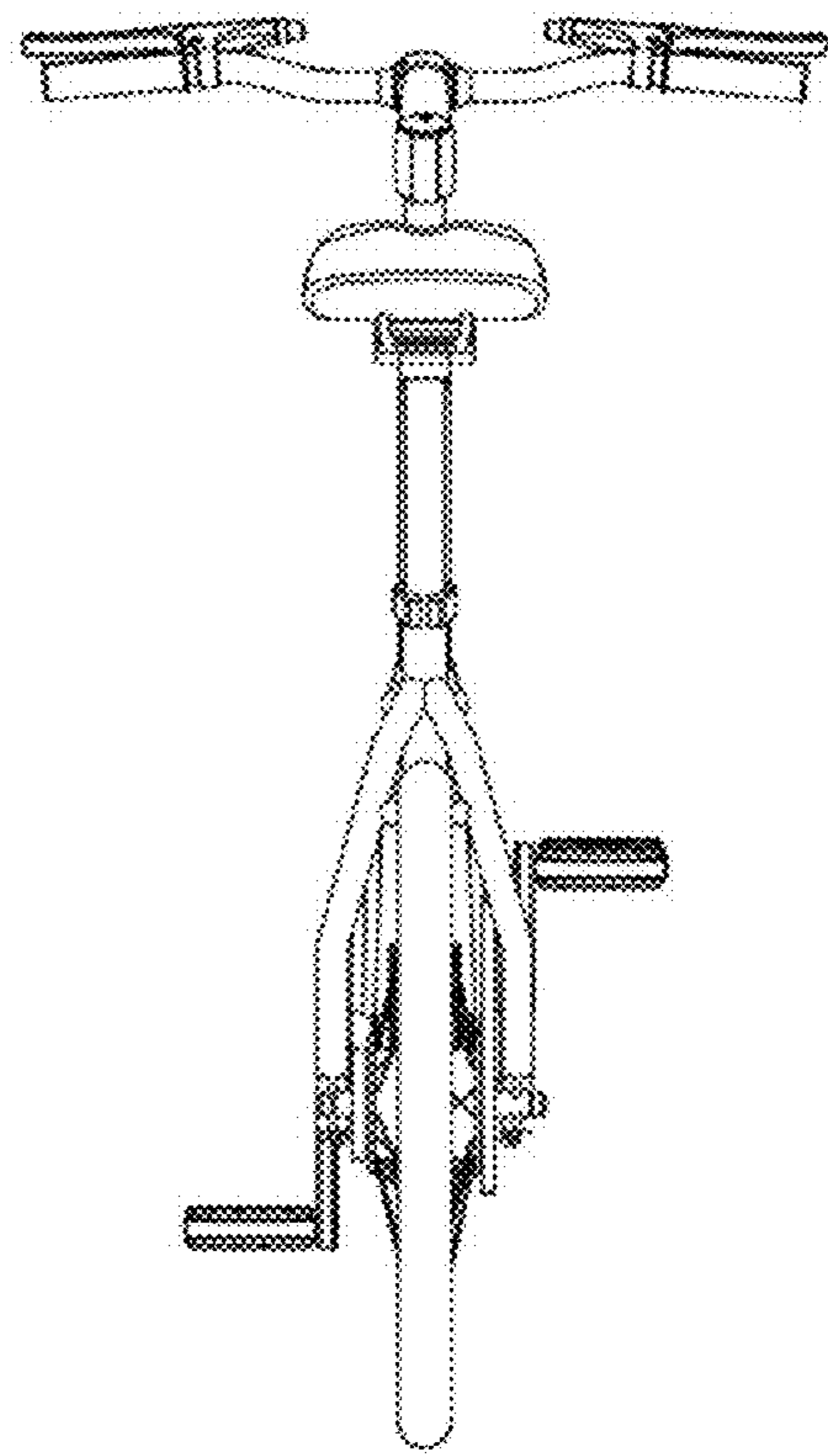


FIG. 3

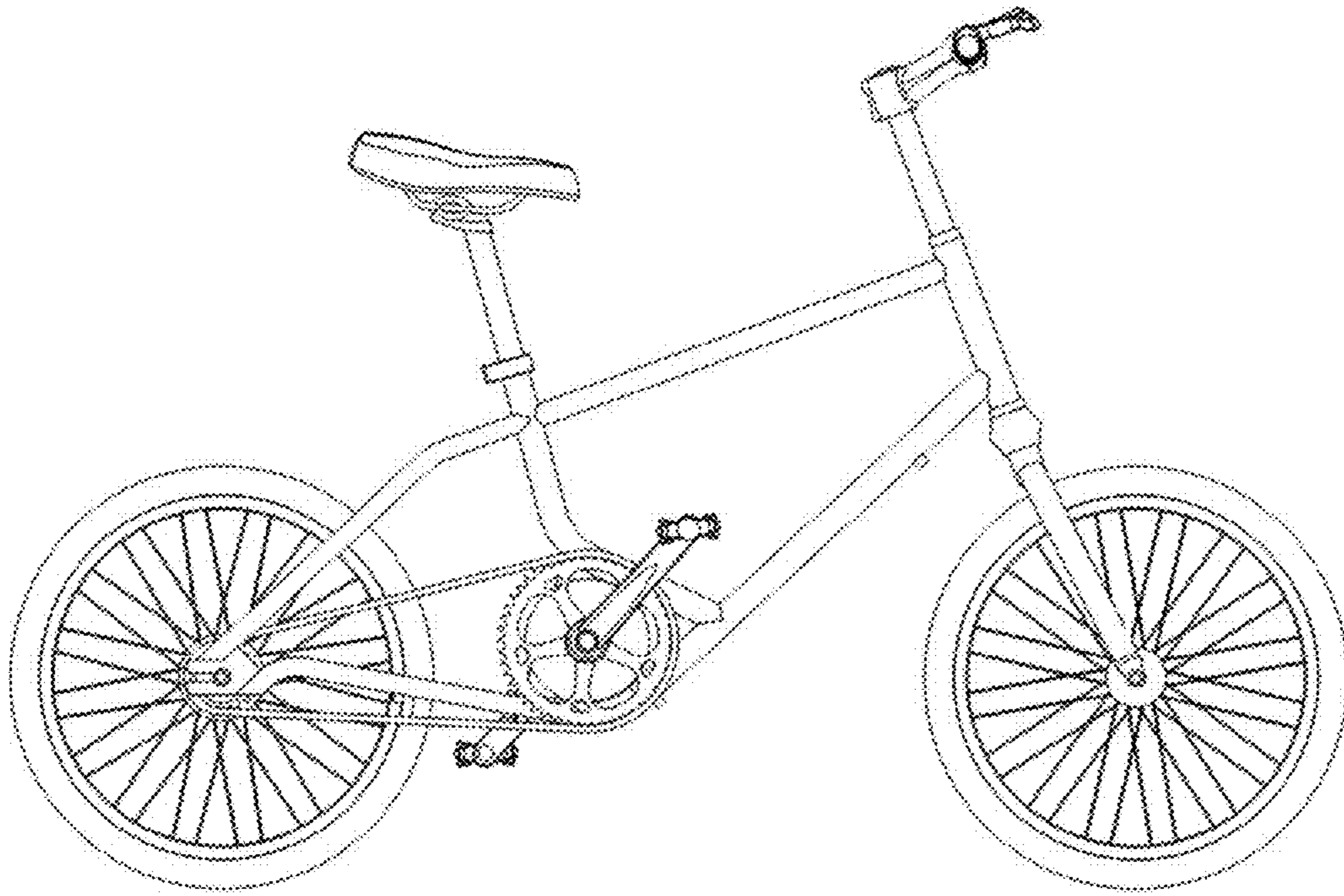


FIG. 4

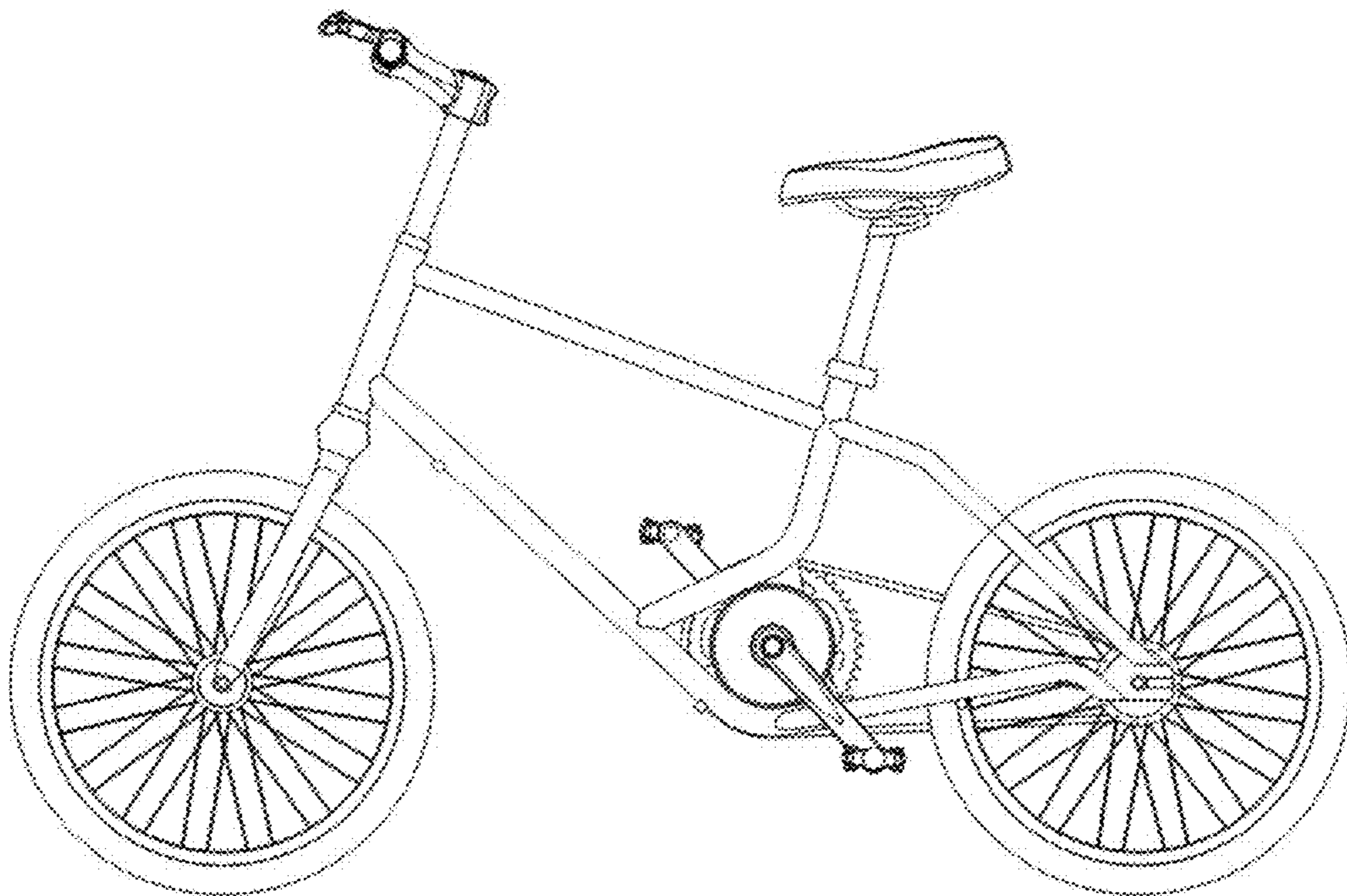


FIG. 5

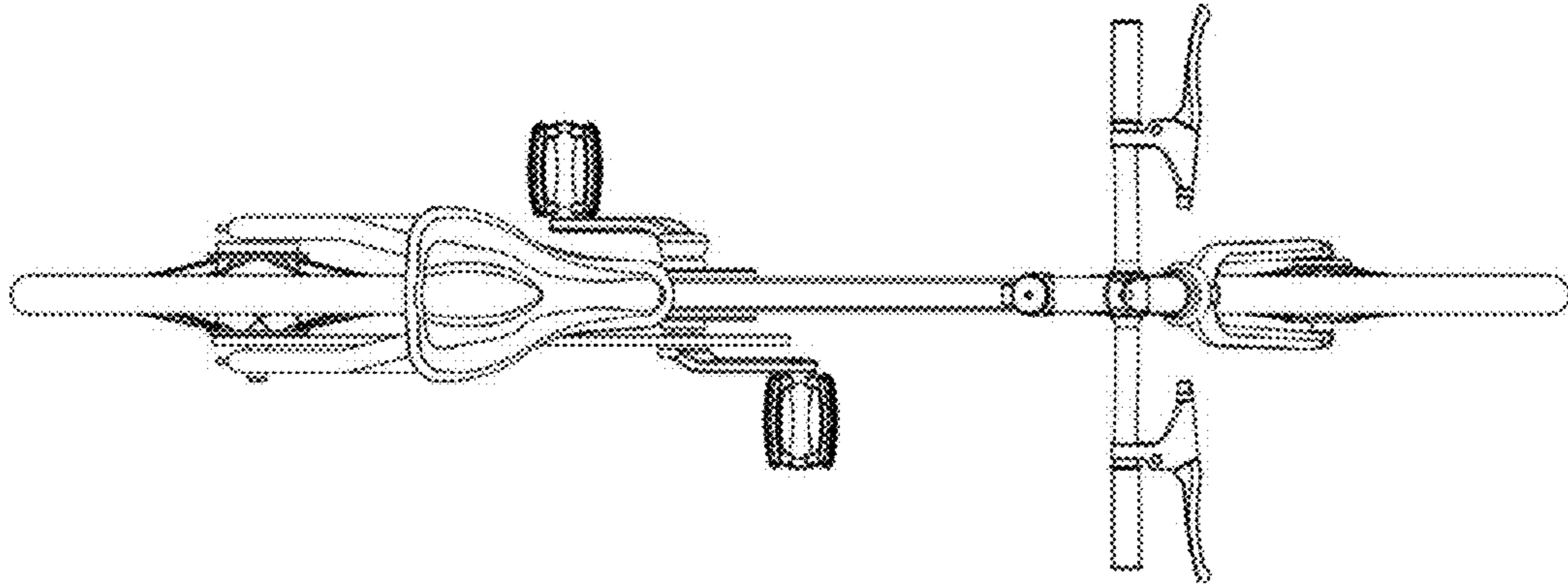


FIG. 6

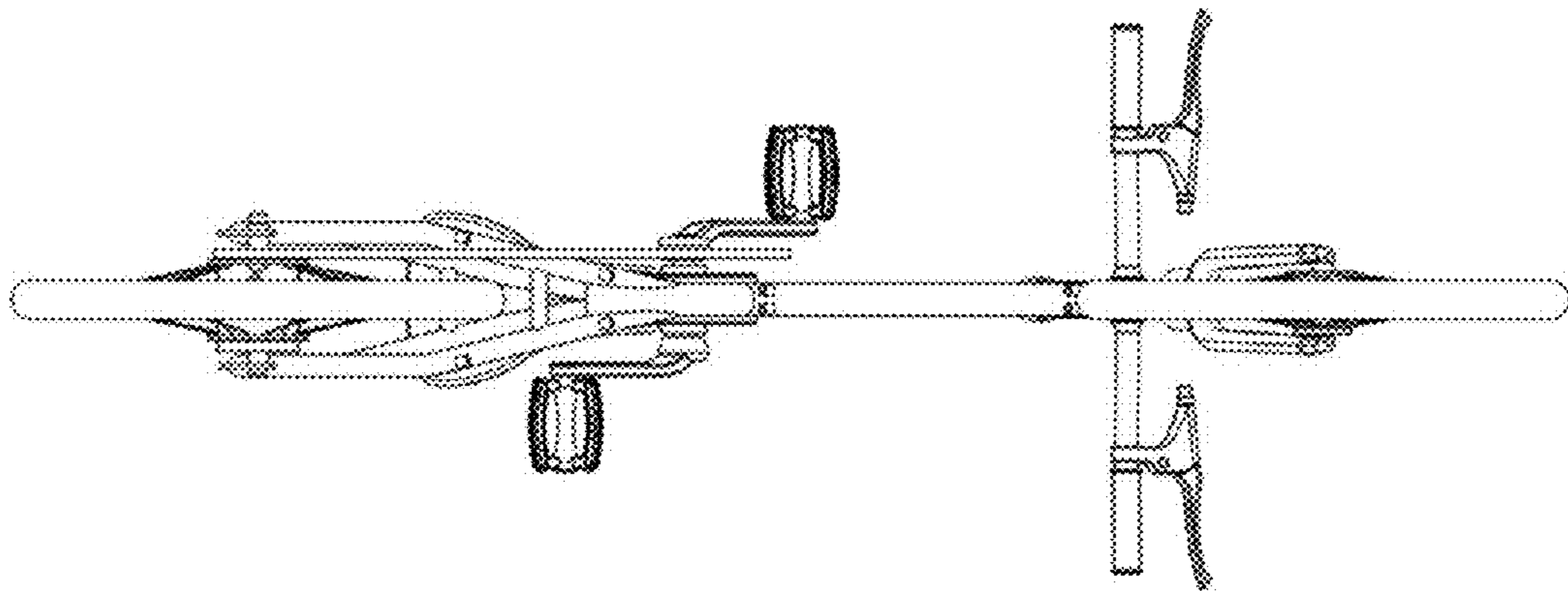


FIG. 7