



US00D719488S

(12) **United States Design Patent**
Stafford et al.

(10) **Patent No.:** **US D719,488 S**

(45) **Date of Patent:** **** Dec. 16, 2014**

- (54) **BICYCLE FRAME**
- (71) Applicant: **Specialized Bicycle Components, Inc.**,
Morgan Hill, CA (US)
- (72) Inventors: **Jamie Stafford**, Morgan Hill, CA (US);
Robb H. Jankura, Los Gatos, CA (US)
- (73) Assignee: **Specialized Bicycle Components, Inc.**,
Morgan Hill, CA (US)

7,267,351	B2 *	9/2007	Chamberlain et al.	280/281.1
7,377,535	B2	5/2008	Chamberlain	
7,506,528	B2	3/2009	Chamberlain	
D593,457	S	6/2009	Talavasek et al.	
7,891,688	B2	2/2011	Chamberlain	
7,938,425	B2	5/2011	Chamberlain	
7,954,837	B2	6/2011	Talavasek	
7,963,541	B2	6/2011	Chamberlain	
8,002,092	B2	8/2011	McAndrews	
8,006,993	B1	8/2011	Chamberlain	
8,075,010	B2 *	12/2011	Talavasek et al.	280/288
8,132,824	B2	3/2012	Sloan et al.	
8,167,327	B2 *	5/2012	Chamberlain	280/279
D662,011	S	6/2012	D'Aluisio et al.	
8,197,371	B2	6/2012	D'Aluisio	

- (**) Term: **14 Years**
- (21) Appl. No.: **29/459,849**

(Continued)

- (22) Filed: **Jul. 3, 2013**
- (51) **LOC (10) Cl.** **12-11**
- (52) **U.S. Cl.**
USPC **D12/111**
- (58) **Field of Classification Search**
USPC 280/284, 281.1, 274, 288, 285, 220,
280/221, 288.2, 287, 278, 283, 288.3, 282,
280/279, 275, 288.4, 124.134, 276, 240,
280/256, 286, 265, 268, 271, 257, 210;
29/434, 428, 897.2; 474/116; D12/111,
D12/108, 124, 169, 113, 112; 156/173, 294;
224/425, 426, 419; 301/124.2;
180/227, 68.5, 220; D21/432, 419,
D21/663, 435, 662, 538; 74/594.3, 527;
16/44; 220/737

See application file for complete search history.

- (56) **References Cited**
U.S. PATENT DOCUMENTS

6,712,373	B2	3/2004	Chamberlain et al.	
6,953,202	B2 *	10/2005	Chamberlain et al.	280/281.1
7,052,029	B2 *	5/2006	Chamberlain	280/284
7,216,882	B2 *	5/2007	Chamberlain	280/283

OTHER PUBLICATIONS

Co-pending U.S. Appl. No. 29/459,851, filed Jul. 3, 2013.

Primary Examiner — Robert M Spear
Assistant Examiner — Ryan Harvey

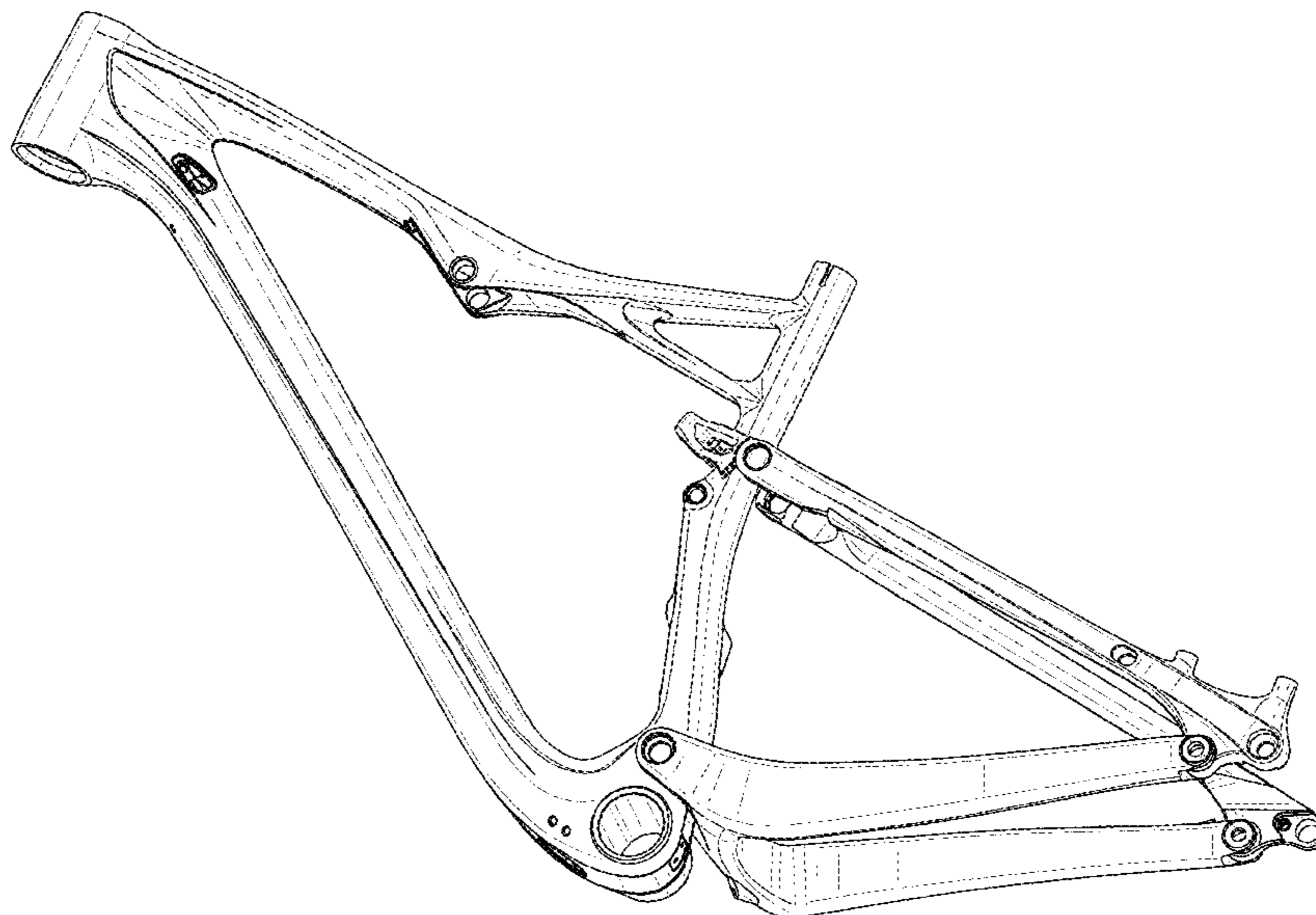
(74) *Attorney, Agent, or Firm* — Michael Best & Friedrich LLP

(57) **CLAIM**
We claim the ornamental design for a bicycle frame, as shown and described.

DESCRIPTION

FIG. 1 is a perspective view of a bicycle frame embodying the present invention.
FIG. 2 is a front view of the bicycle frame of FIG. 1.
FIG. 3 is a rear view of the bicycle frame of FIG. 1.
FIG. 4 is a right side view of the bicycle frame of FIG. 1.
FIG. 5 is a left side view of the bicycle frame of FIG. 1.
FIG. 6 is a top view of the bicycle frame of FIG. 1; and,
FIG. 7 is a bottom view of the bicycle frame of FIG. 1.

1 Claim, 5 Drawing Sheets



(56)

References Cited

U.S. PATENT DOCUMENTS

8,342,302	B2	1/2013	McAndrews et al.						
8,403,350	B2 *	3/2013	Talavasek et al.	280/281.1					
8,408,574	B2	4/2013	Callahan et al.						
8,430,417	B1	4/2013	Galson						
8,439,383	B2 *	5/2013	Talavasek	280/285					
8,454,044	B2	6/2013	Chubbuck et al.						
8,459,680	B2	6/2013	Chamberlain						
8,459,681	B2	6/2013	Chamberlain						
8,480,064	B2	7/2013	Talavasek						
8,496,262	B2	7/2013	Callahan et al.						
8,696,007	B2 *	4/2014	Jankura et al.	280/281.1					
8,727,368	B1 *	5/2014	Wrobleski	280/281.1					
2007/0246909	A1 *	10/2007	Weng	280/284					
					2008/0054595	A1 *	3/2008	Lu	280/284
					2008/0238030	A1 *	10/2008	Tseng	280/284
					2008/0238031	A1 *	10/2008	Tseng	280/284
					2009/0001685	A1 *	1/2009	Talavasek et al.	280/281.1
					2010/0225089	A1 *	9/2010	Chamberlain	280/275
					2010/0327556	A1 *	12/2010	Chamberlain	280/284
					2011/0278816	A1 *	11/2011	Chamberlain	280/281.1
					2011/0285106	A1 *	11/2011	Talavasek	280/284
					2012/0074666	A1 *	3/2012	Chamberlain	280/284
					2012/0299268	A1 *	11/2012	Chamberlain et al.	280/284
					2013/0147152	A1 *	6/2013	Paquin et al.	280/281.1
					2013/0214507	A1 *	8/2013	O'Connor	280/284
					2013/0221633	A1 *	8/2013	Jankura et al.	280/274
					2014/0103617	A1 *	4/2014	Chamberlain	280/284
					2014/0117643	A1 *	5/2014	Wrobleski	280/275

* cited by examiner

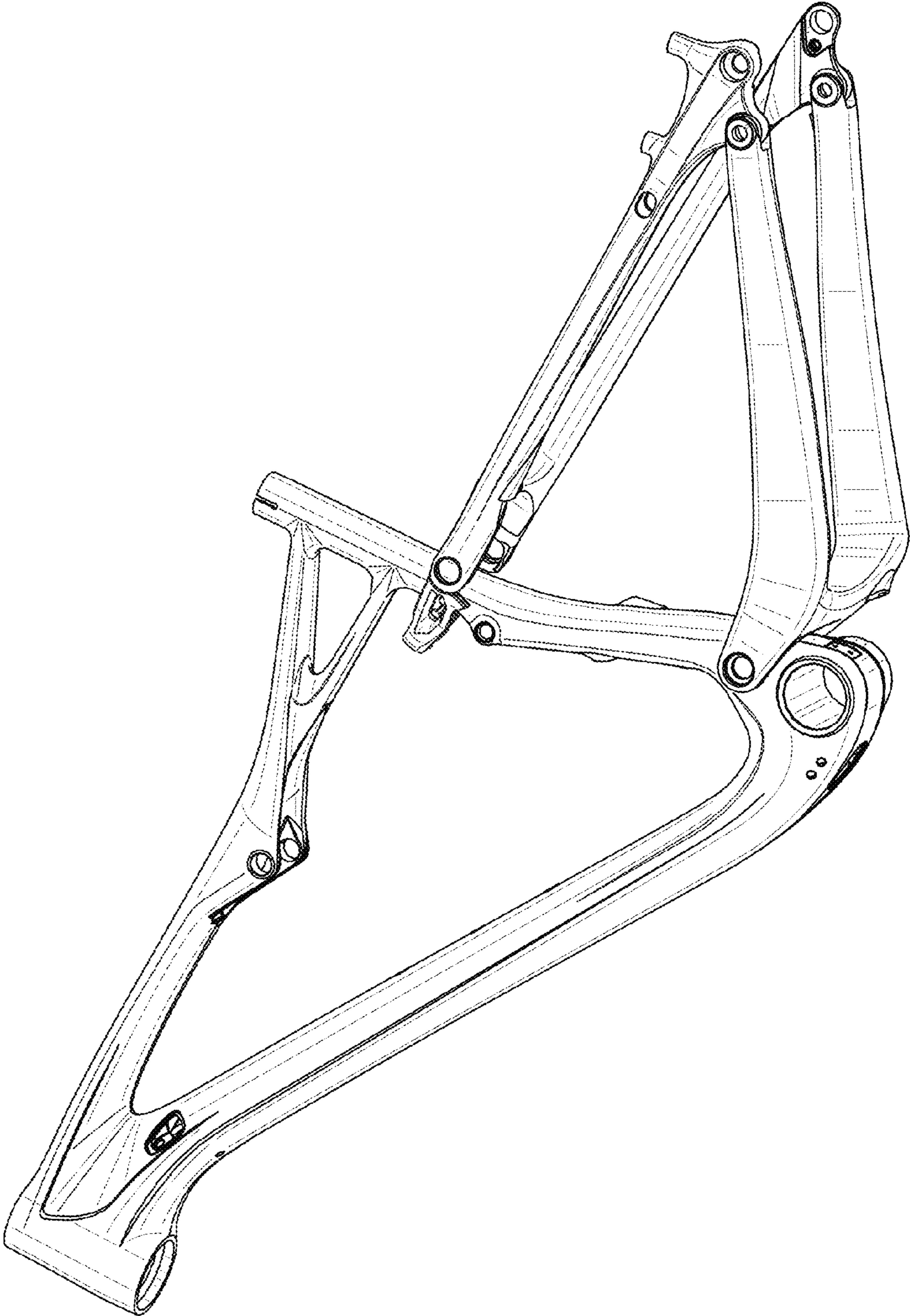


FIG. 1

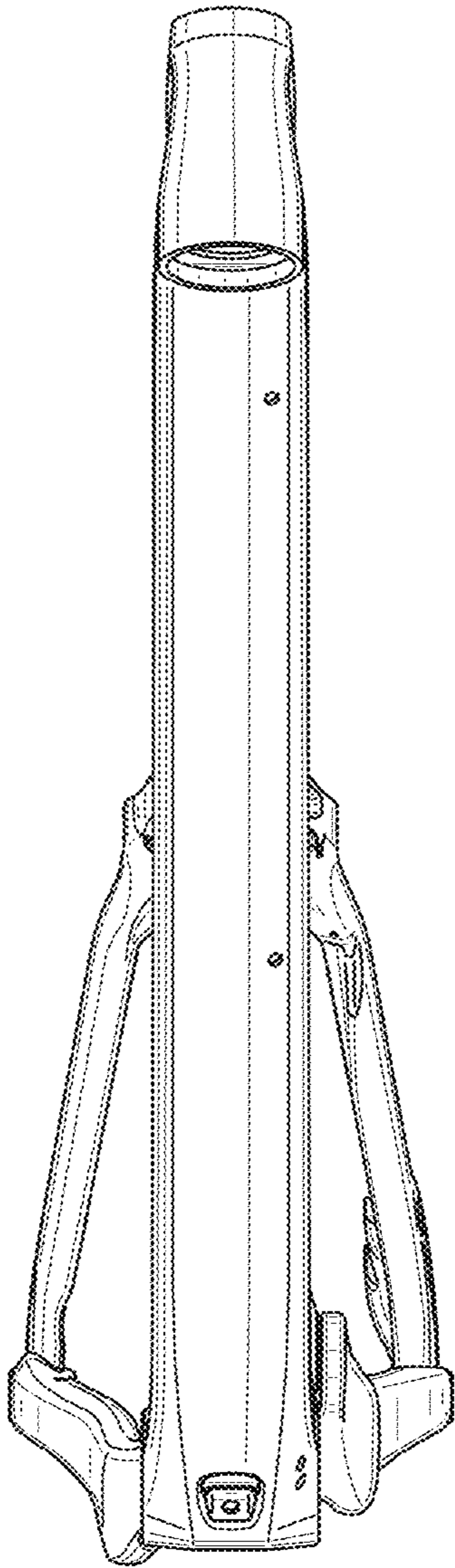


FIG. 2

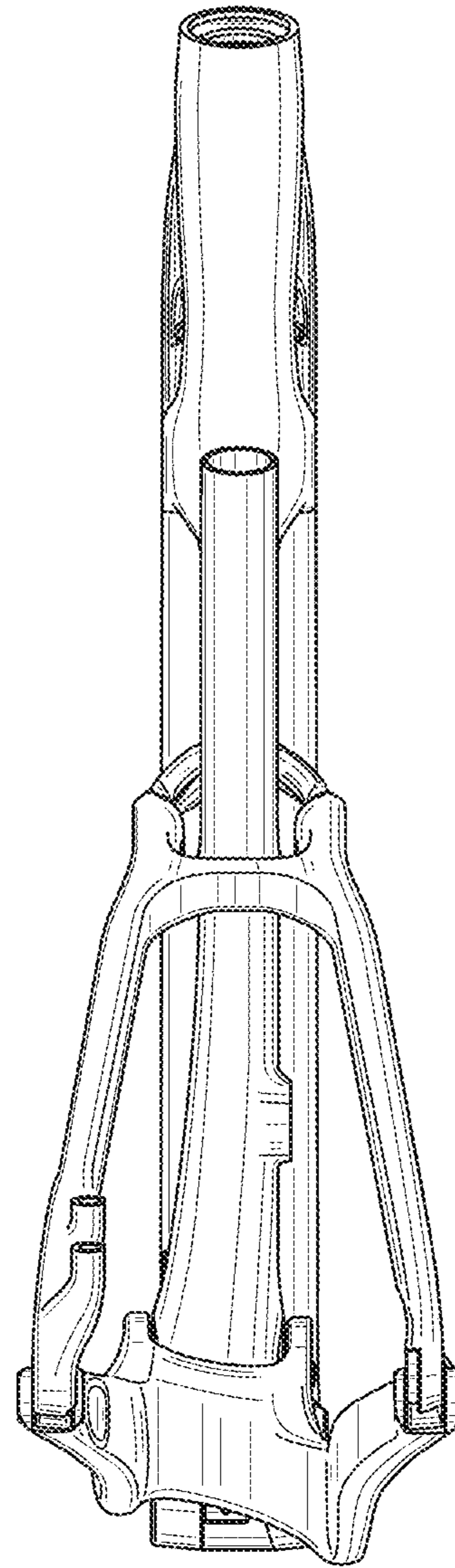


FIG. 3

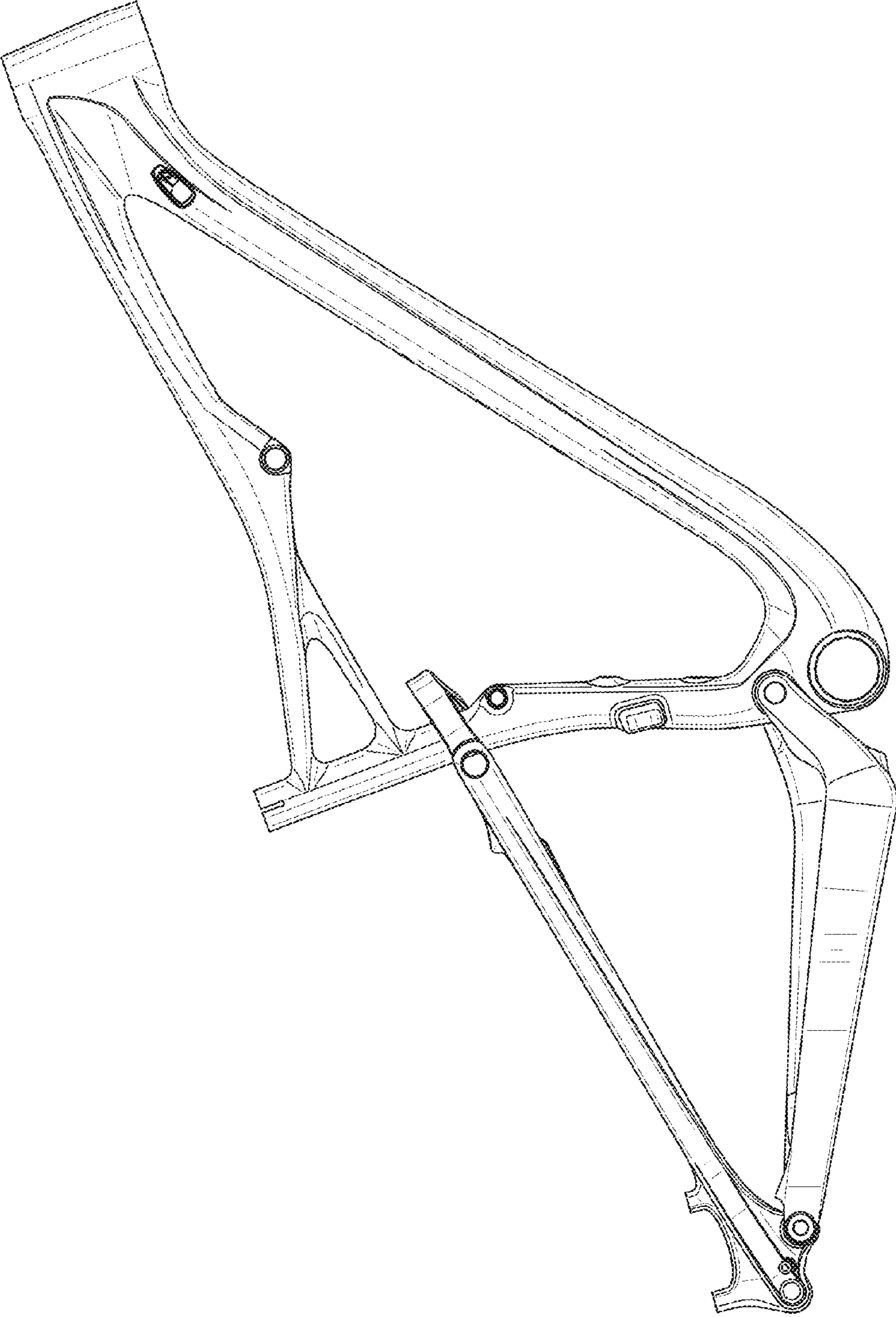


FIG. 4

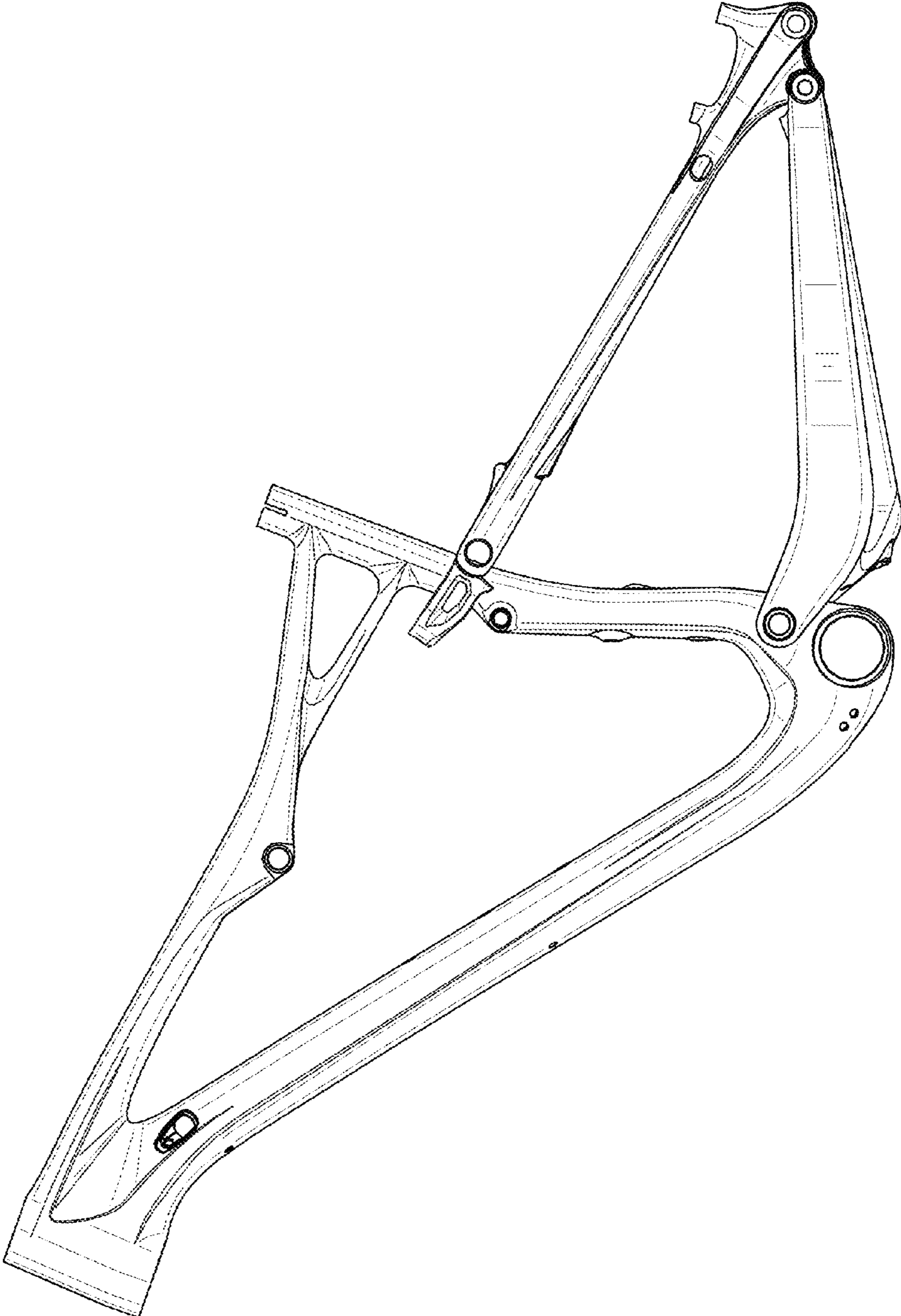


FIG. 5

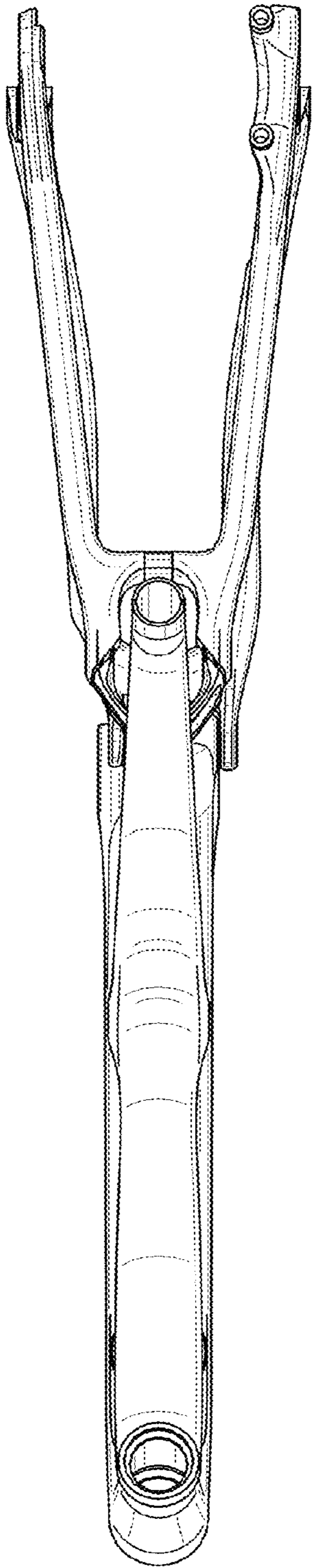


FIG. 6

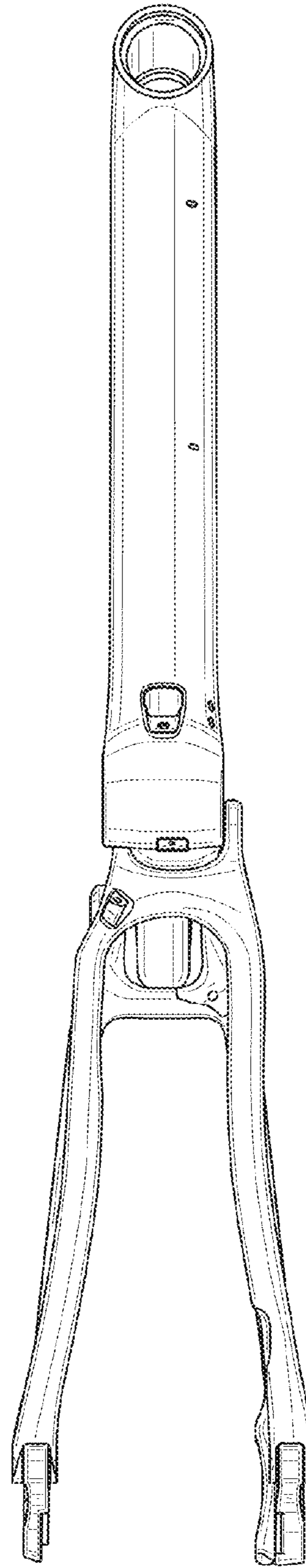


FIG. 7