



US00D719486S

(12) **United States Design Patent**  
**Murakami et al.**

(10) **Patent No.:** **US D719,486 S**  
(45) **Date of Patent:** **\*\* Dec. 16, 2014**

(54) **AUTOMOBILE AND/OR REPLICA THEREOF**

(71) Applicant: **Honda Motor Co., Ltd.**, Tokyo (JP)

(72) Inventors: **Wataru Murakami**, Wako (JP); **Jun Goto**, Wako (JP)

(73) Assignee: **Honda Motor Co., Ltd.**, Tokyo (JP)

(\*\*) Term: **14 Years**

(21) Appl. No.: **29/468,314**

(22) Filed: **Sep. 27, 2013**

(30) **Foreign Application Priority Data**

Apr. 4, 2013 (JP) ..... 2013-007612

(51) **LOC (10) Cl.** ..... **12-08**

(52) **U.S. Cl.**  
USPC ..... **D12/91**

(58) **Field of Classification Search**  
CPC ..... B62D 35/00  
USPC ..... D12/86, 90-92; D21/421, 433, 434;  
296/181.1, 181.5  
See application file for complete search history.

(56) **References Cited**

**U.S. PATENT DOCUMENTS**

D604,670 S \* 11/2009 Nagura et al. .... D12/91  
D619,500 S \* 7/2010 Hsu et al. .... D12/91

D630,554 S \* 1/2011 Kim ..... D12/91  
D633,823 S \* 3/2011 Matei et al. .... D12/91  
D647,004 S \* 10/2011 Nemoto ..... D12/91  
D657,715 S \* 4/2012 Hakamata et al. .... D12/91  
D666,945 S \* 9/2012 Ogawa et al. .... D12/91  
D674,726 S \* 1/2013 Yamada et al. .... D12/91  
D692,346 S \* 10/2013 Matsueda ..... D12/91  
D697,834 S \* 1/2014 Okue et al. .... D12/91  
D699,628 S \* 2/2014 Kochi et al. .... D12/91  
D709,800 S \* 7/2014 Cartabiano et al. .... D12/91

\* cited by examiner

*Primary Examiner* — Melody N Brown

(74) *Attorney, Agent, or Firm* — Westerman, Hattori, Daniels & Adrian, LLP

(57) **CLAIM**

The ornamental design for, an automobile and/or replica thereof, as shown and described.

**DESCRIPTION**

FIG. 1 is a front and right side view of an automobile and/or replica thereof, showing our new design;  
FIG. 2 is a rear and right side perspective view thereof;  
FIG. 3 is a front elevation view thereof;  
FIG. 4 is a rear elevation view thereof;  
FIG. 5 is a top plan view thereof;  
FIG. 6 is a right side elevation view thereof; and,  
FIG. 7 is a left side elevation view thereof.  
The broken lines are for illustrative purposes only and form no part of the claimed design.

**1 Claim, 7 Drawing Sheets**

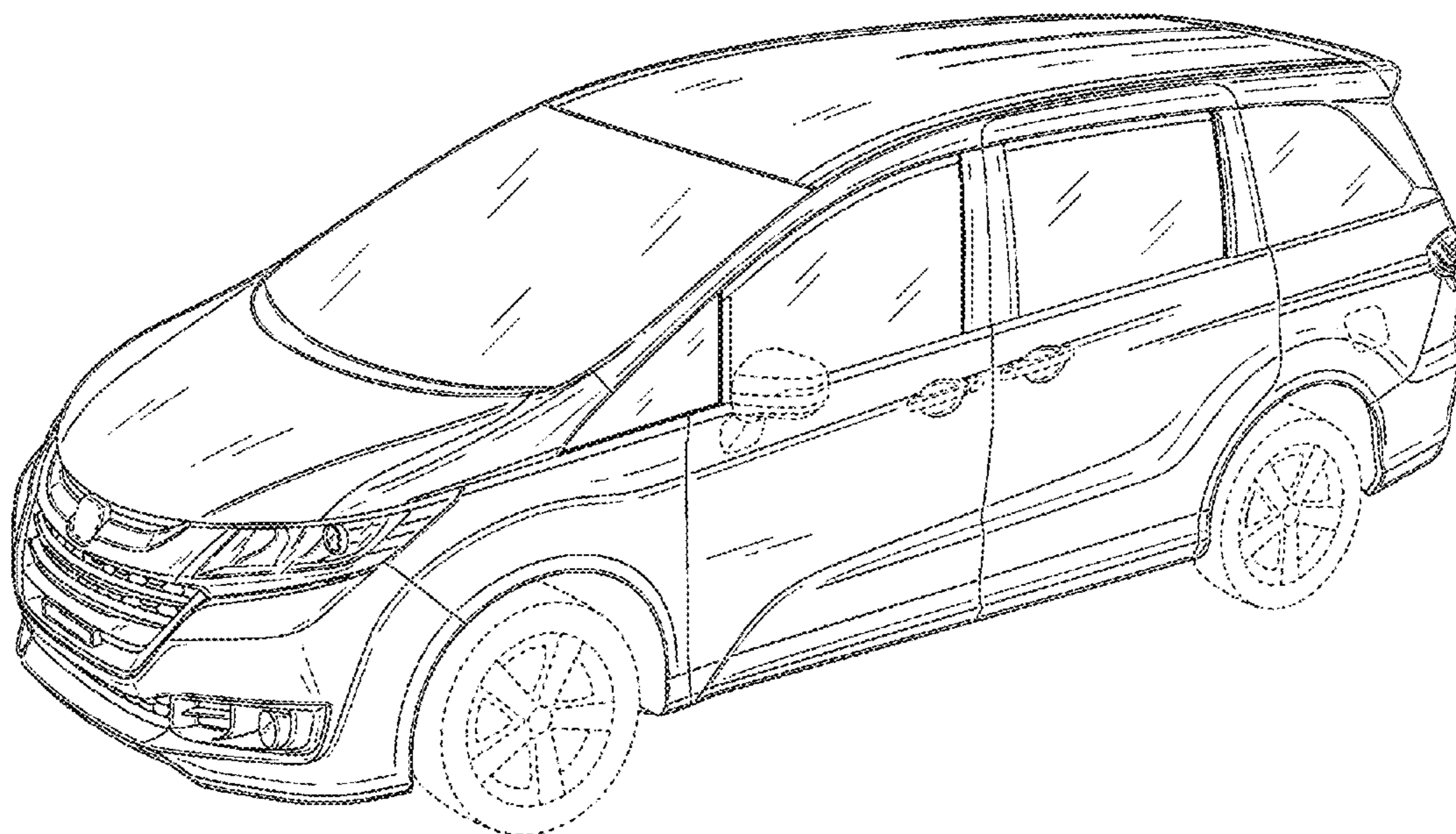
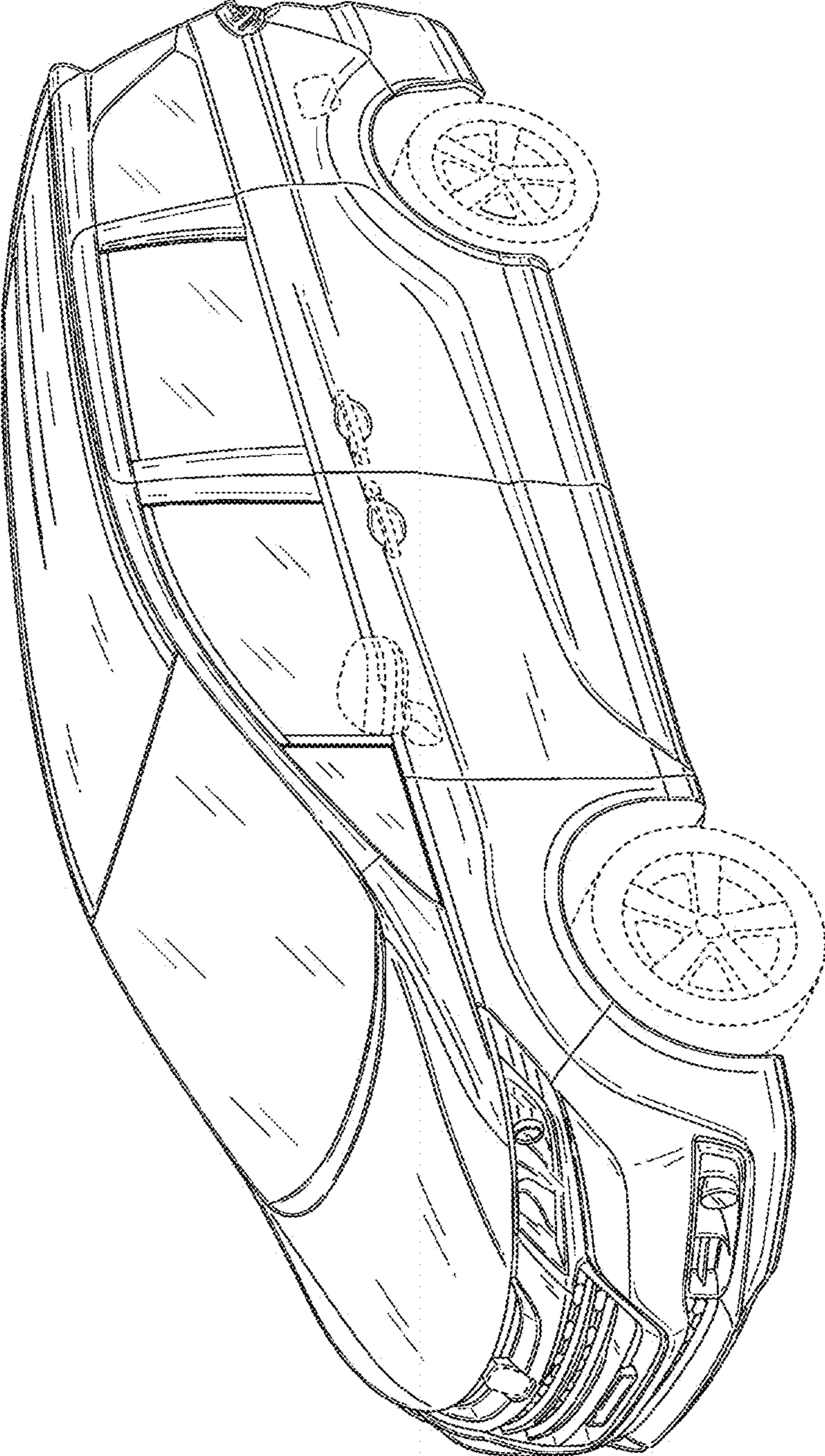


Fig. 1





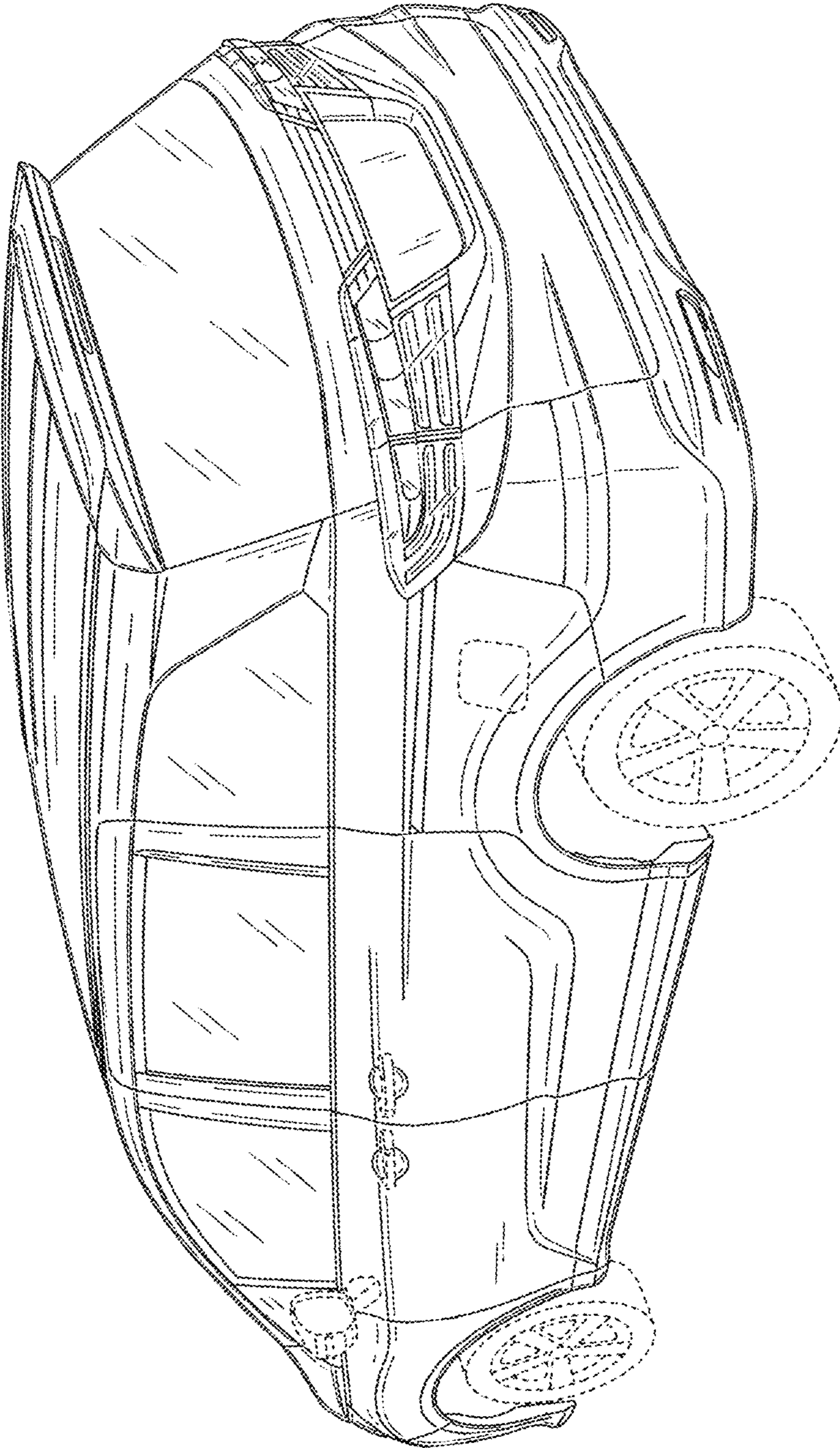
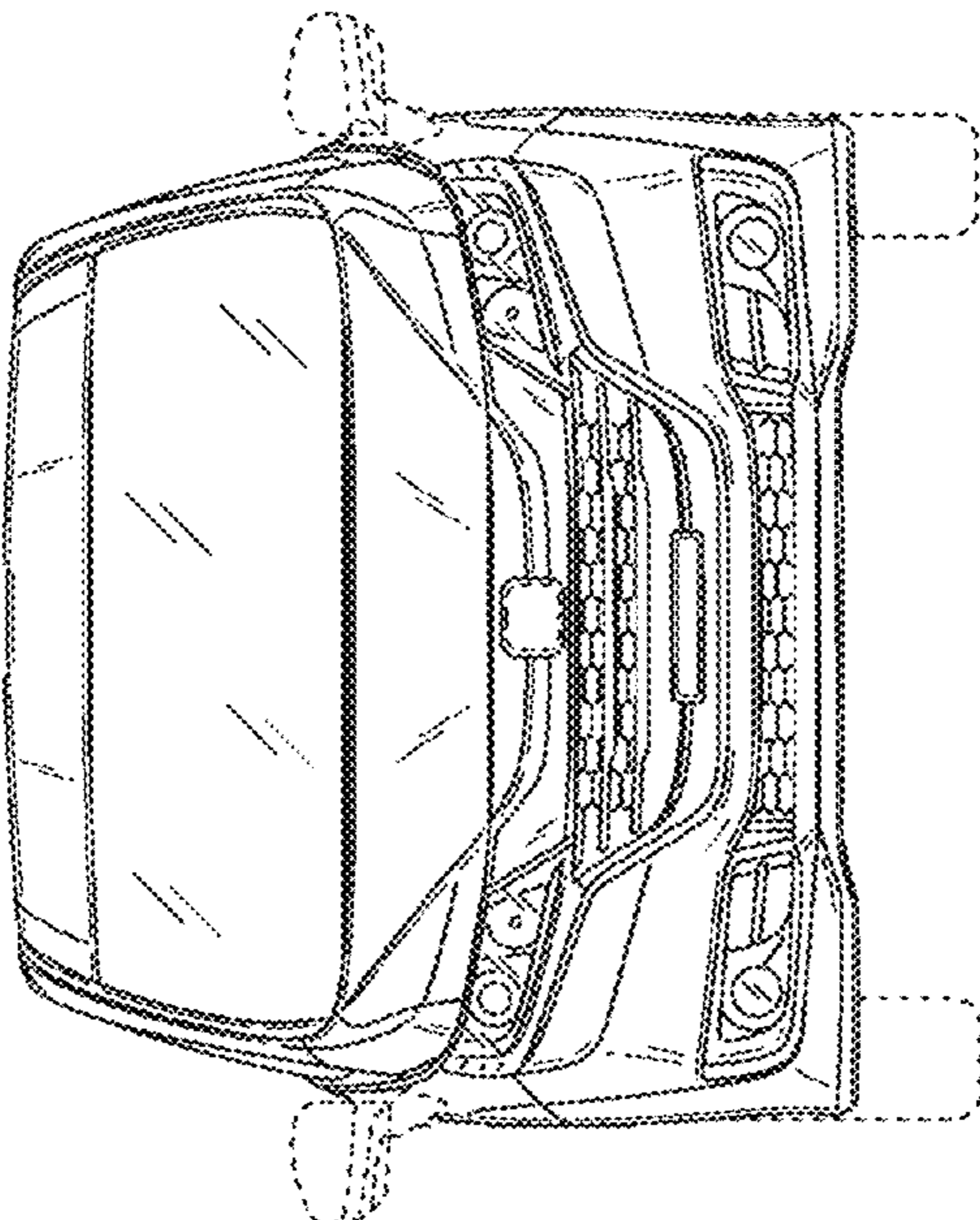
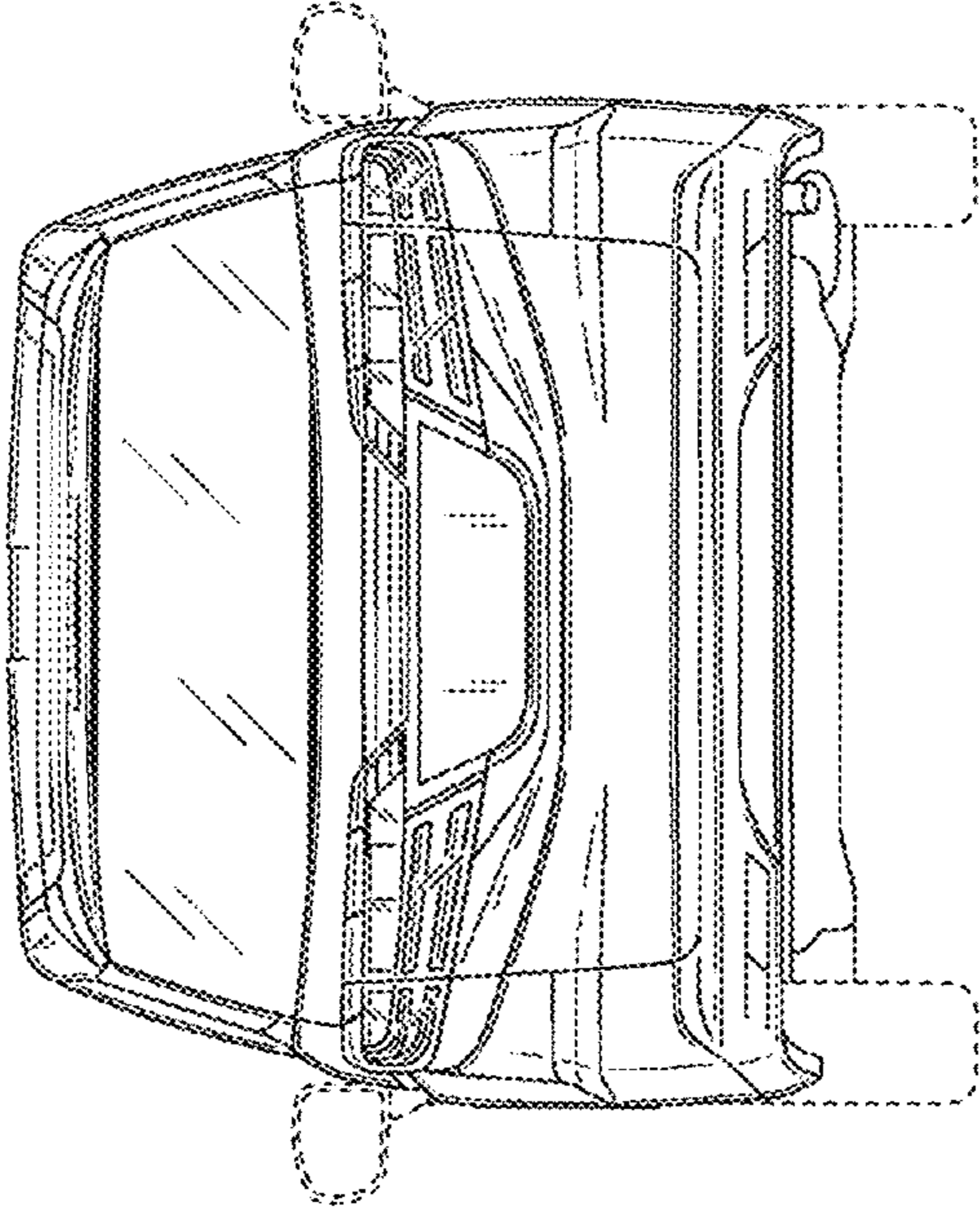


Fig. 2



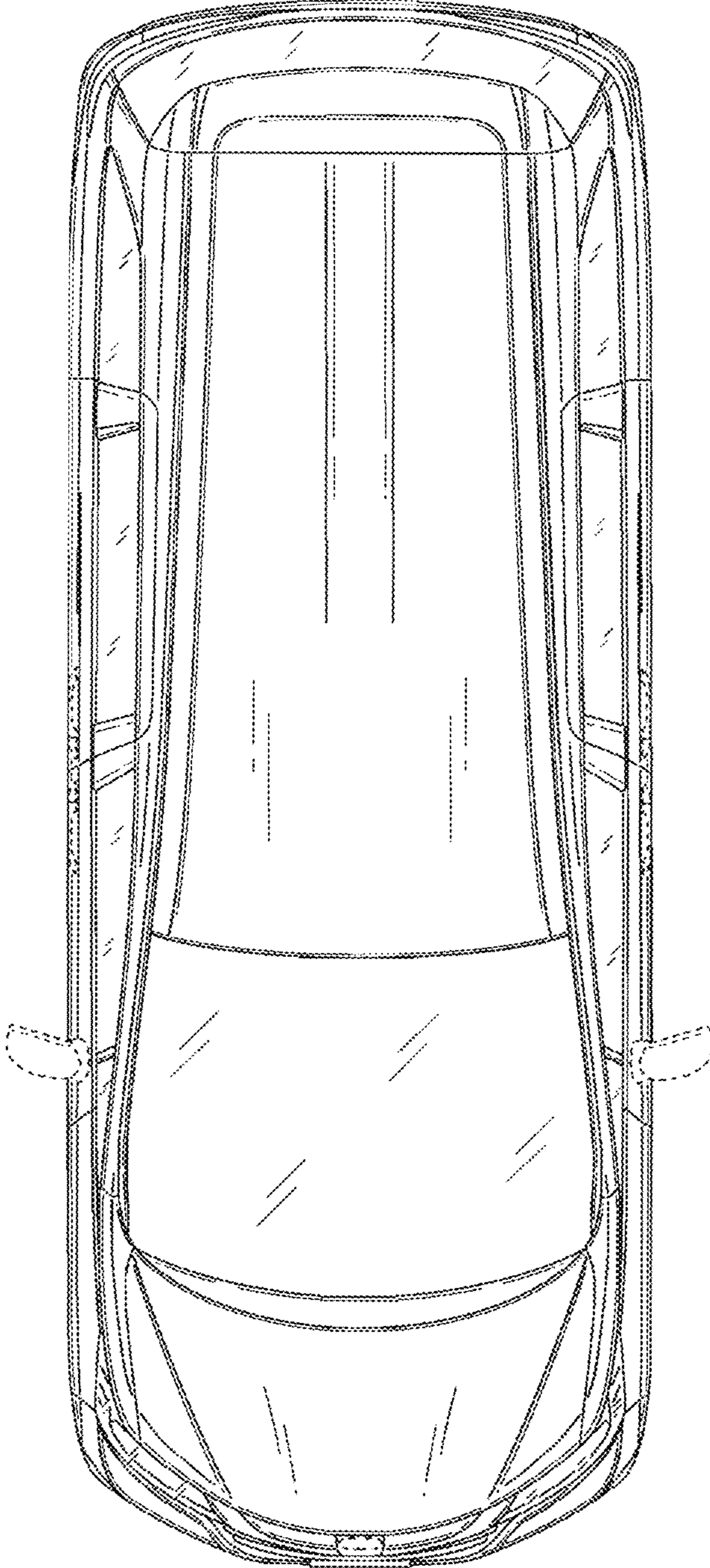
*Fig. 3*



*Fig. 4*



*Fig. 5*



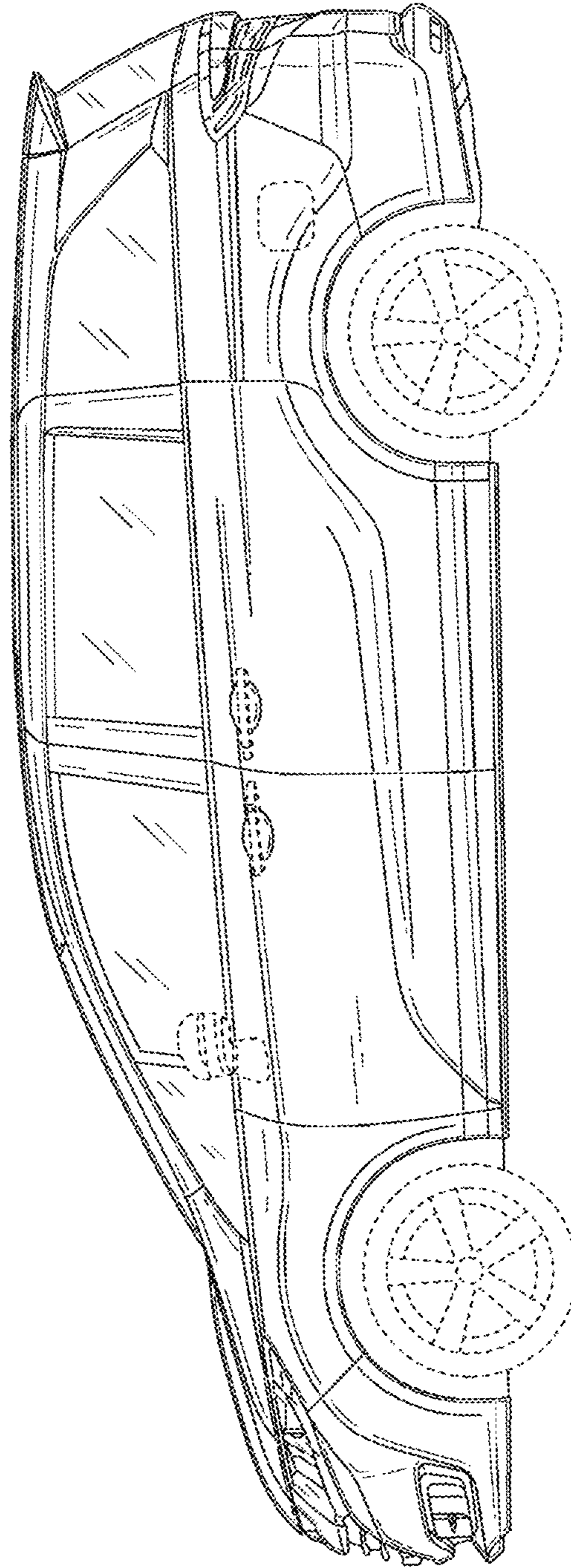


Fig. 6

Fig. 7

