



US00D719485S

(12) **United States Design Patent**
Kung

(10) **Patent No.:** **US D719,485 S**

(45) **Date of Patent:** **** Dec. 16, 2014**

- (54) **FRONT-RELEASE BELT BUCKLE**
- (71) Applicant: **Merrimack River Precision Industrial Corporation, Taipei (TW)**
- (72) Inventor: **Tsung-Ming Kung, Taipei (TW)**
- (73) Assignee: **Merrimack River Precision Industrial Corporation, Taipei (TW)**

(**) Term: **14 Years**

(21) Appl. No.: **29/488,679**

(22) Filed: **Apr. 22, 2014**

(51) **LOC (10) Cl.** **02-07**

(52) **U.S. Cl.**
USPC **D11/231**

(58) **Field of Classification Search**
USPC D11/200-241, 87; D2/625-629, 976,
D2/946; 24/614, 625, 650, 199-200, 170,
24/30.5 R, 318, 601.7, 312-313, 669;
224/163; 63/3.1

See application file for complete search history.

(56) **References Cited**

U.S. PATENT DOCUMENTS

622,856	A	*	4/1899	Humphrey	24/601.7
D35,707	S	*	2/1902	Gaisman	D2/627
836,213	A	*	11/1906	Rayman	24/312
1,271,963	A	*	7/1918	Vilandr	24/669
D59,795	S	*	11/1921	Vilandr	D11/210
D158,392	S	*	5/1950	Laufer	D11/87
D253,501	S	*	11/1979	Hoch	D11/210
D254,939	S	*	5/1980	Lober	D11/208
D269,051	S	*	5/1983	Lenny	D11/239
D273,345	S	*	4/1984	Degenshein	D11/210

D285,625	S	*	9/1986	Kirk	D11/208
D325,546	S	*	4/1992	Collier	D11/213
D380,587	S	*	7/1997	Ryan et al.	D2/627
D387,015	S	*	12/1997	Scholey	D11/220
D403,618	S	*	1/1999	Fildan	D11/210
D452,187	S	*	12/2001	Perez	D11/231
D472,185	S	*	3/2003	Mardaga	D11/231
D474,423	S	*	5/2003	James	D11/231
D509,459	S	*	9/2005	Pontaoe	D11/208
D525,168	S	*	7/2006	Pontaoe	D11/208
D629,715	S	*	12/2010	Hermann	D11/210
D637,940	S	*	5/2011	Hermann	D11/210
8,407,866	B2	*	4/2013	Pontaoe	24/313
8,701,438	B1	*	4/2014	Kovel	63/3.1

* cited by examiner

Primary Examiner — T. Chase Nelson

Assistant Examiner — Mark Cavanna

(74) *Attorney, Agent, or Firm* — The Weintraub Group, P.L.C.

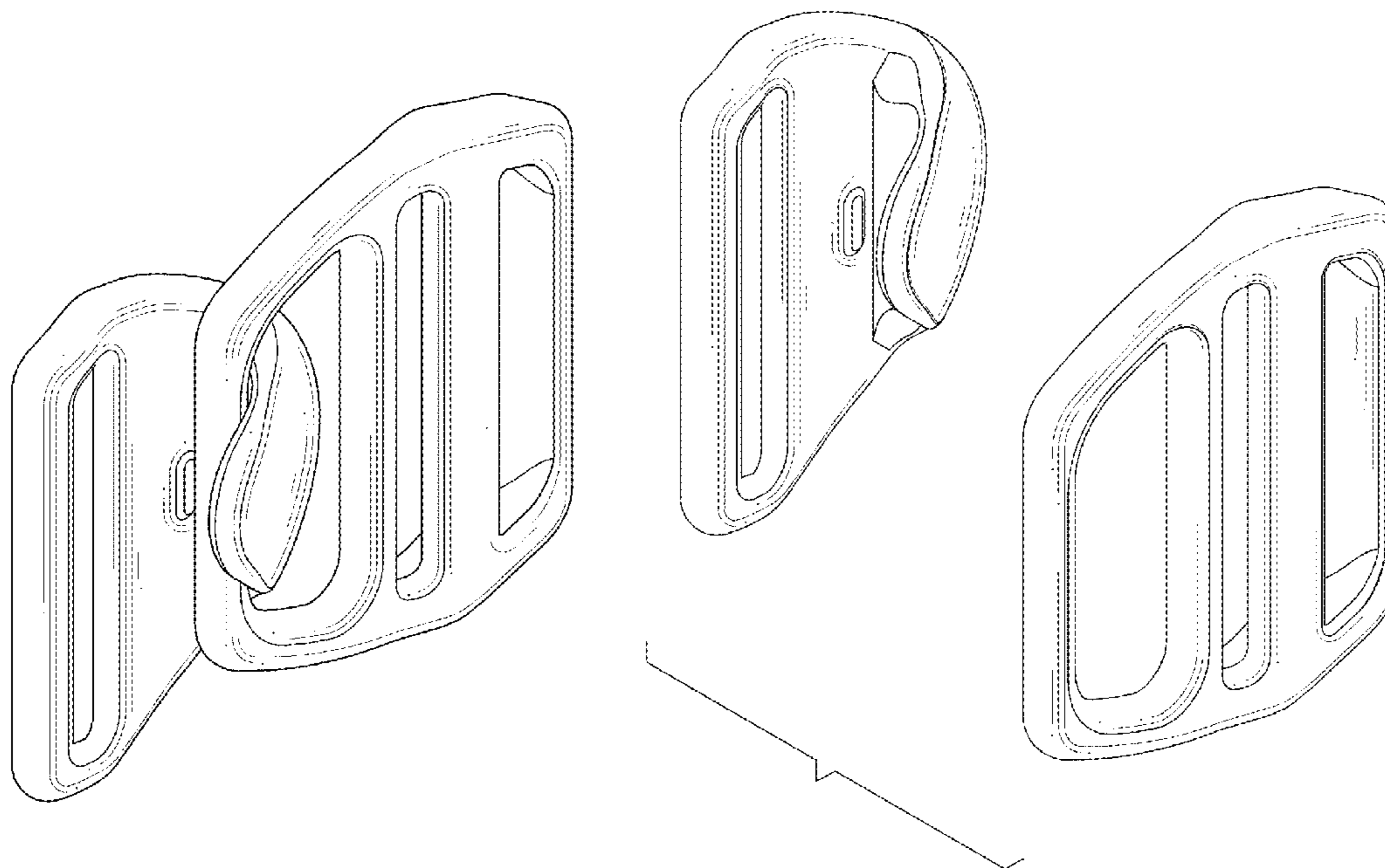
(57) **CLAIM**

The ornamental design for a front-release belt buckle, as shown and described.

DESCRIPTION

FIG. 1 is a perspective view of a front-release belt buckle showing my new design;
 FIG. 2 is a front view thereof;
 FIG. 3 is a rear view thereof;
 FIG. 4 is a left view thereof;
 FIG. 5 is a right view thereof;
 FIG. 6 is a top view thereof;
 FIG. 7 is a bottom view thereof;
 FIG. 8 is an exploded perspective view thereof; and,
 FIG. 9 is a cross sectional view of FIG. 2 taken along line 9-9.

1 Claim, 7 Drawing Sheets



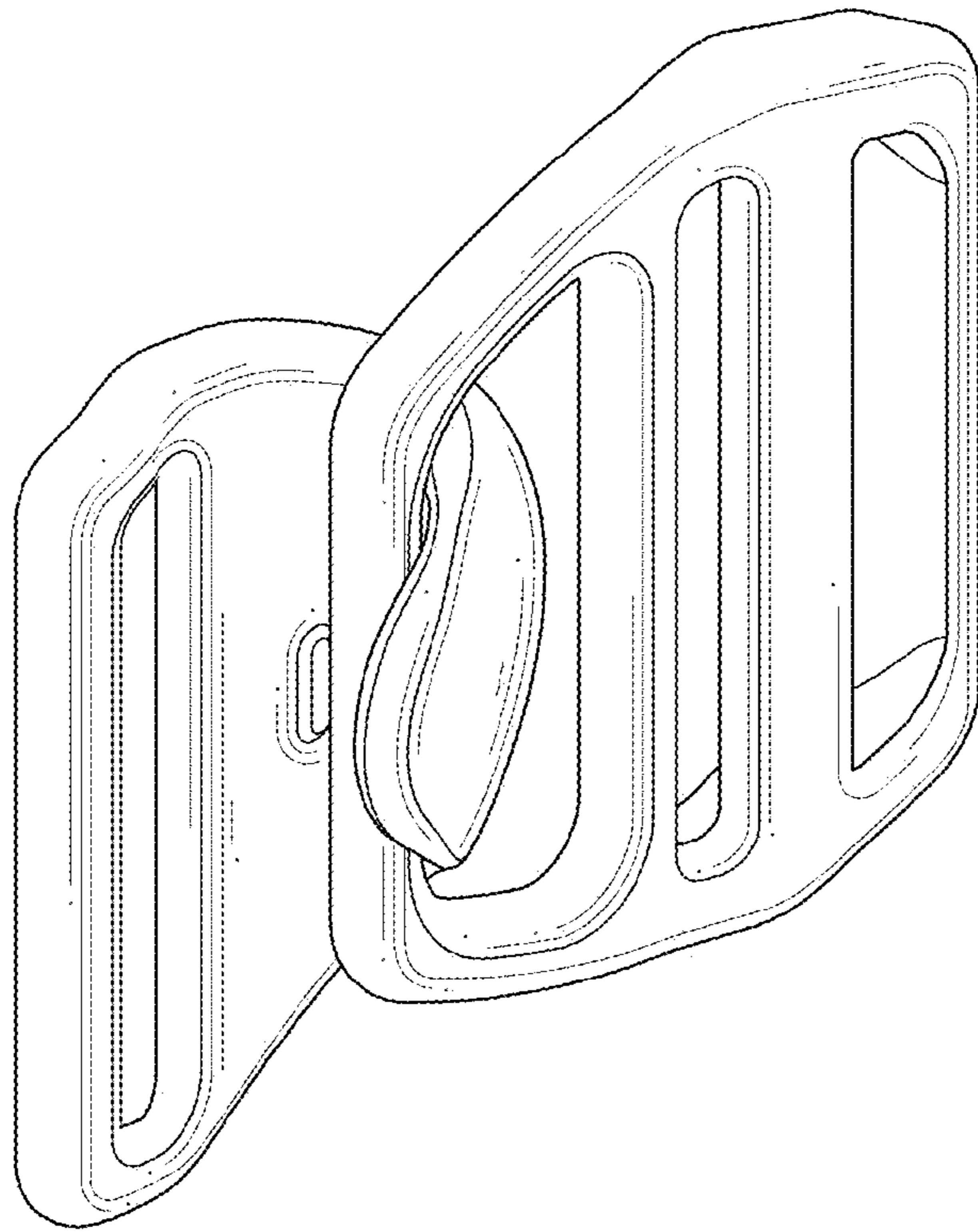


FIG. 1

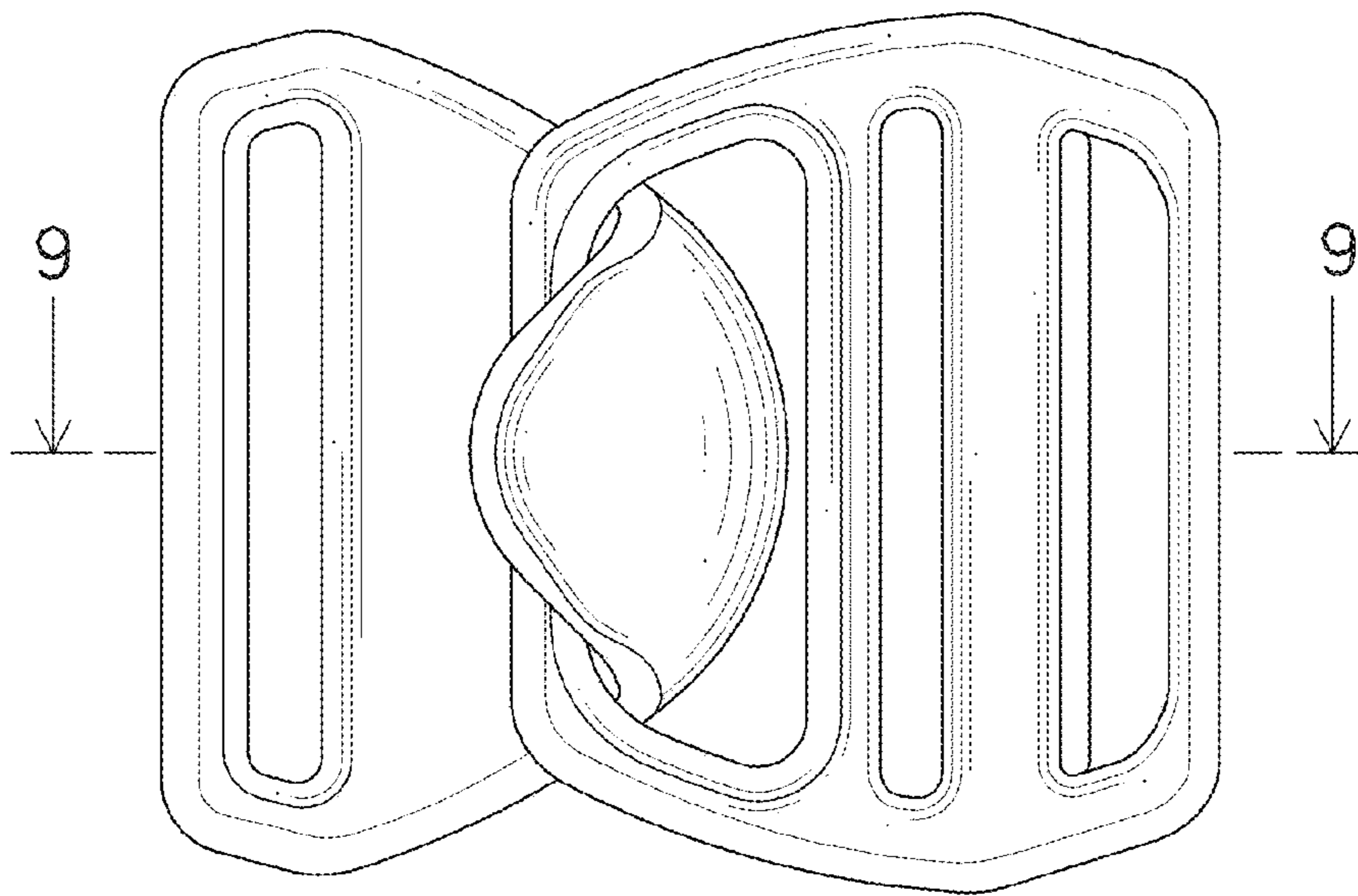


FIG. 2

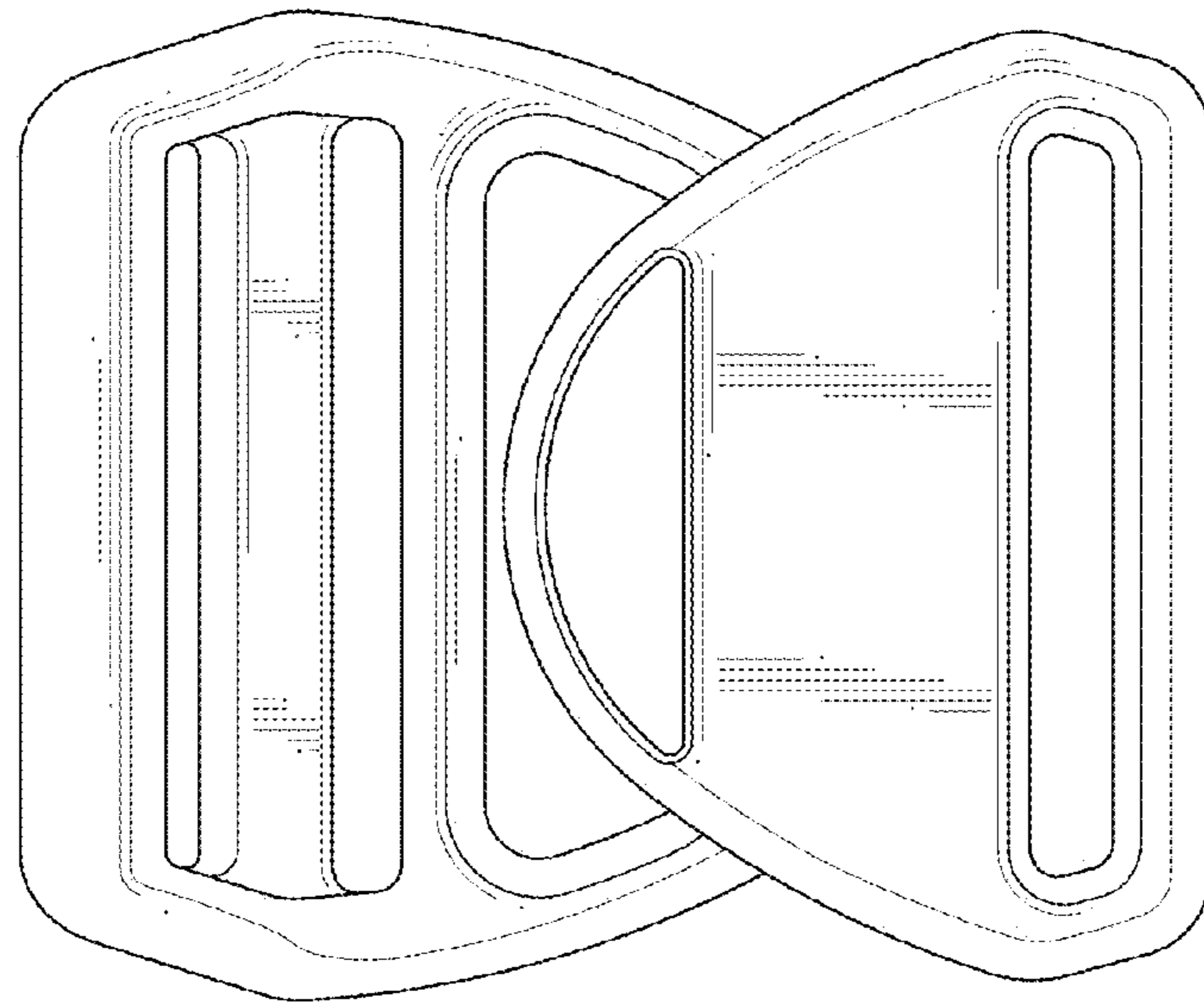


FIG. 3

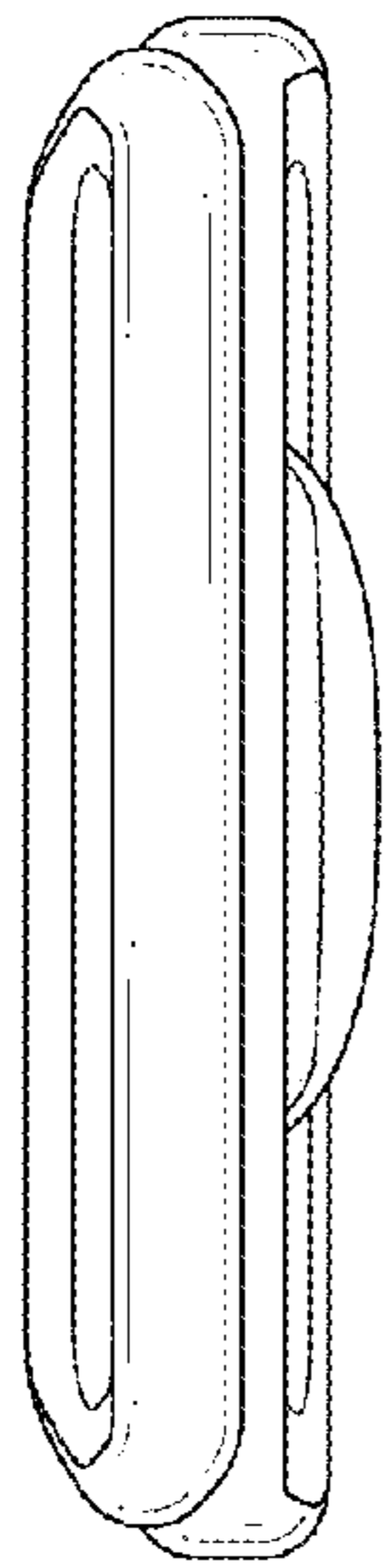


FIG. 4

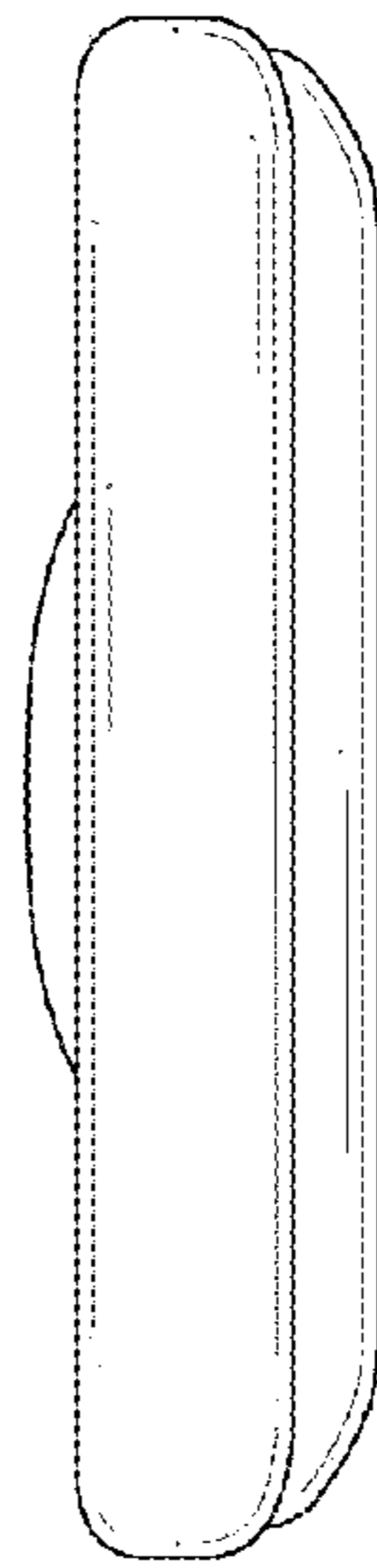


FIG. 5

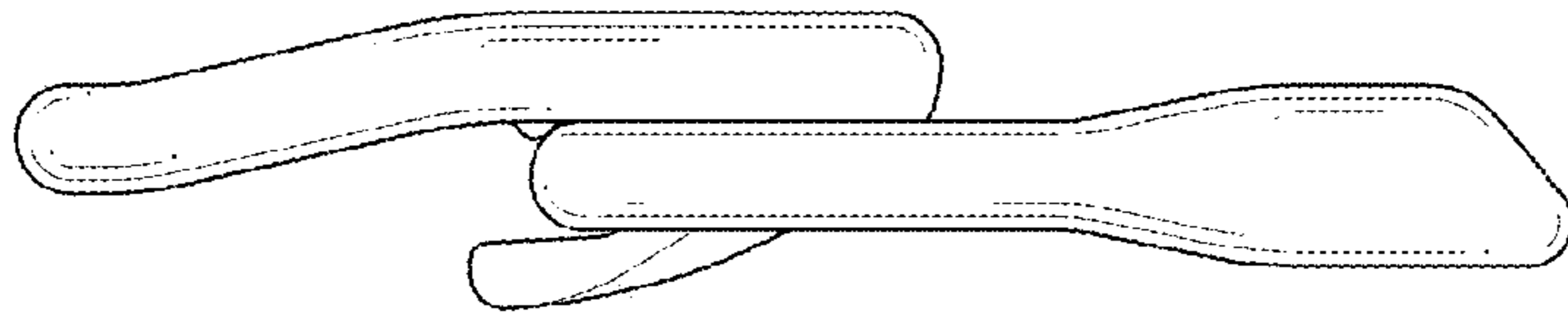


FIG. 6

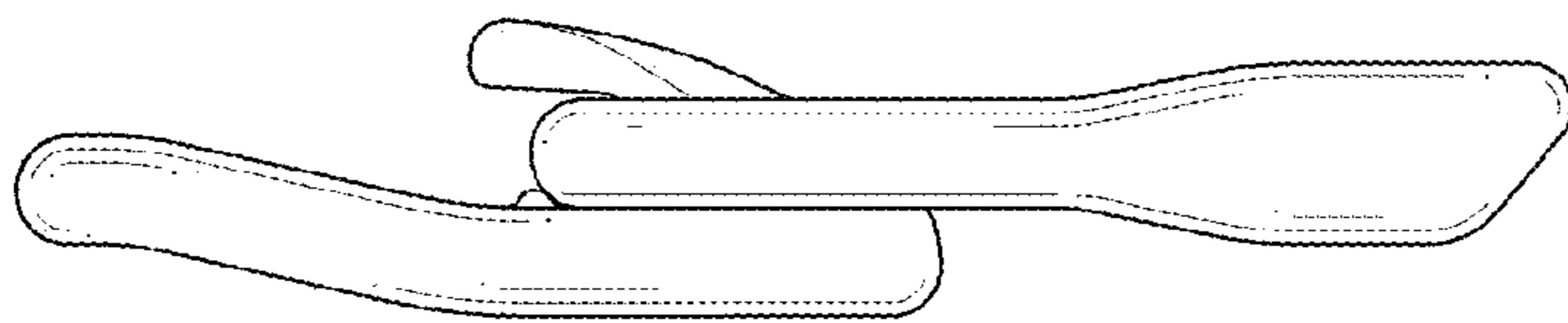


FIG. 7

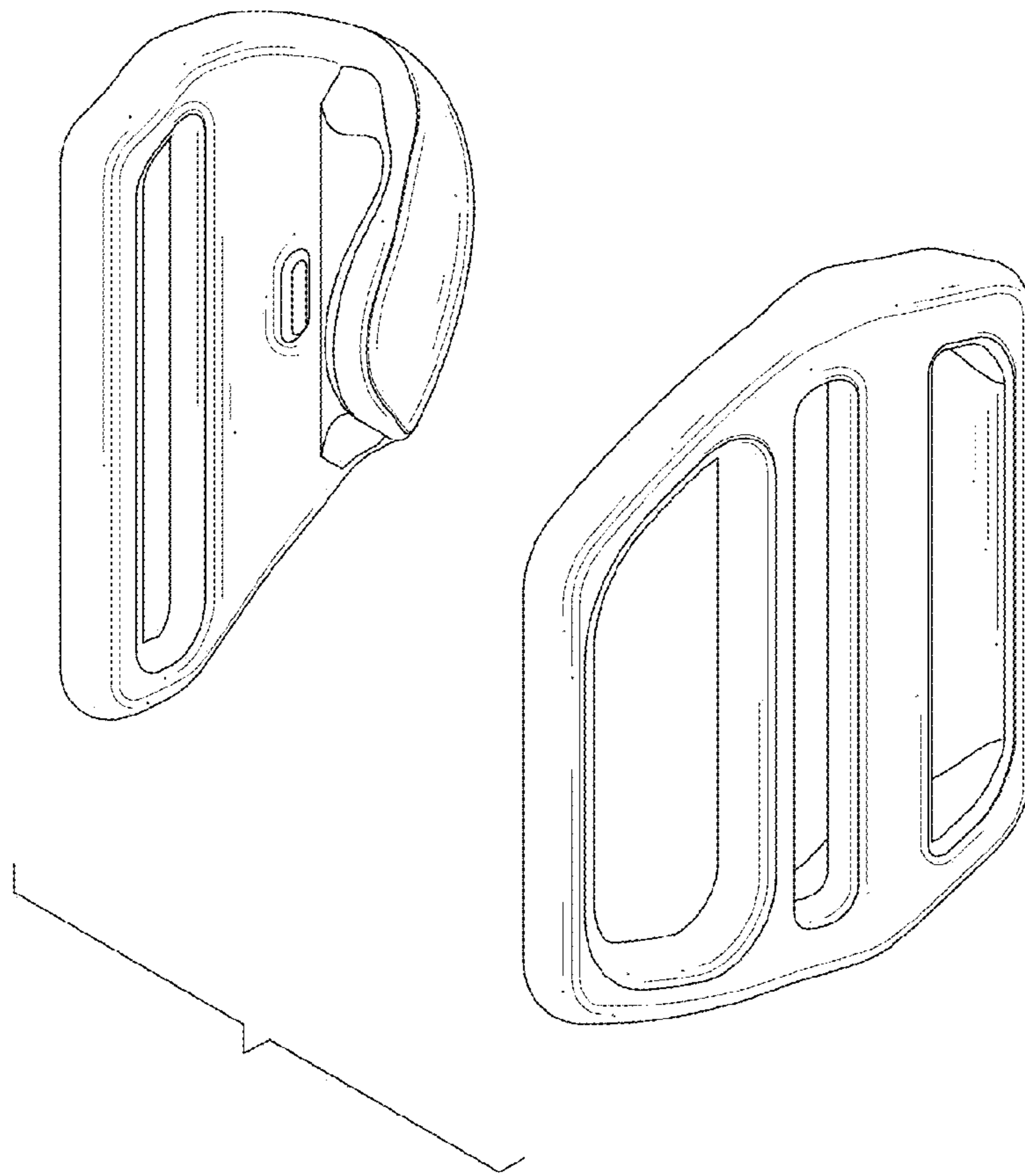


FIG. 8

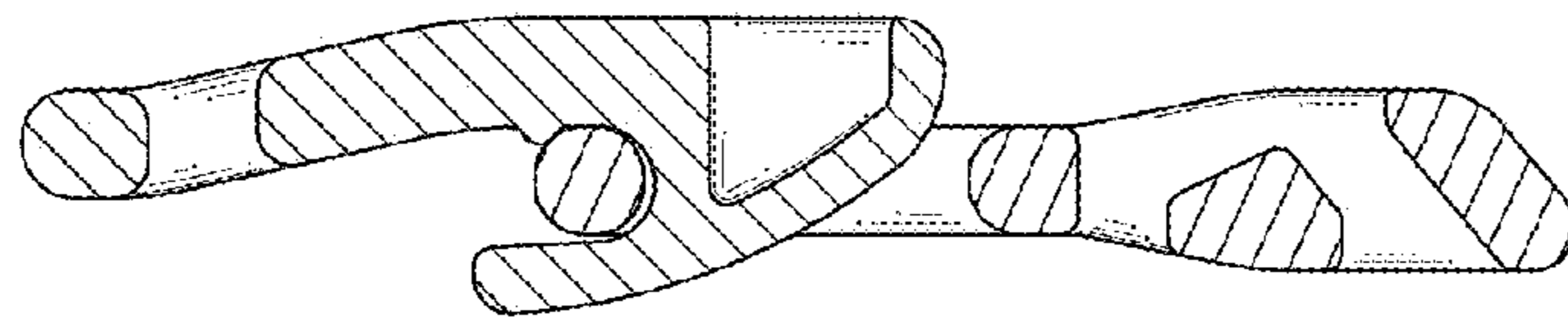


FIG. 9