



US00D719484S

(12) **United States Design Patent**  
**Atkinson**

(10) **Patent No.:** **US D719,484 S**

(45) **Date of Patent:** **\*\* Dec. 16, 2014**

(54) **LUGGAGE STRAP BUCKLE**

(56) **References Cited**

(71) Applicant: **DG International Holdings Limited,**  
London (GB)

U.S. PATENT DOCUMENTS

(72) Inventor: **Ben Atkinson,** Kings Langley (GB)

D320,178 S *	9/1991	Kasai .....	D11/218
6,389,653 B1 *	5/2002	Matoba .....	24/265 BC
7,480,967 B2 *	1/2009	Kojoori et al. ....	24/163 R
D605,554 S *	12/2009	Yang .....	D11/216
D671,504 S *	11/2012	Andoh et al. ....	D13/161

(73) Assignee: **DG International Holdings Limited,**  
London (GB)

\* cited by examiner

(\*\*) Term: **14 Years**

*Primary Examiner* — Ralf Seifert

(21) Appl. No.: **29/482,033**

(74) *Attorney, Agent, or Firm* — Marshall, Gerstein & Borun  
LLP

(22) Filed: **Feb. 13, 2014**

(57) **CLAIM**

The ornamental design for a luggage strap buckle, as shown  
and described.

(30) **Foreign Application Priority Data**

**DESCRIPTION**

Aug. 14, 2013 (EM) ..... 002291856-0001

Aug. 14, 2013 (EM) ..... 002291856-0002

(51) **LOC (10) Cl.** ..... **02-07**

(52) **U.S. Cl.**  
USPC ..... **D11/216**

(58) **Field of Classification Search**  
USPC ..... D11/1-2, 200-201, 206-210, 214-218;  
24/163 R, 169-171, 173, 177-179, 191,  
24/194-195, 197, 200, 614-616, 625, 198,  
24/578.11, 578.1, 163 K, 114; D8/394

FIG. 1 is a perspective view of a luggage strap buckle that has  
the design.

FIG. 2 is a top plan view of the luggage strap buckle.

FIG. 3 is a bottom plan view.

FIG. 4 is a left-side elevation view.

FIG. 5 is a right-side elevation view.

FIG. 6 is a front elevation view; and,

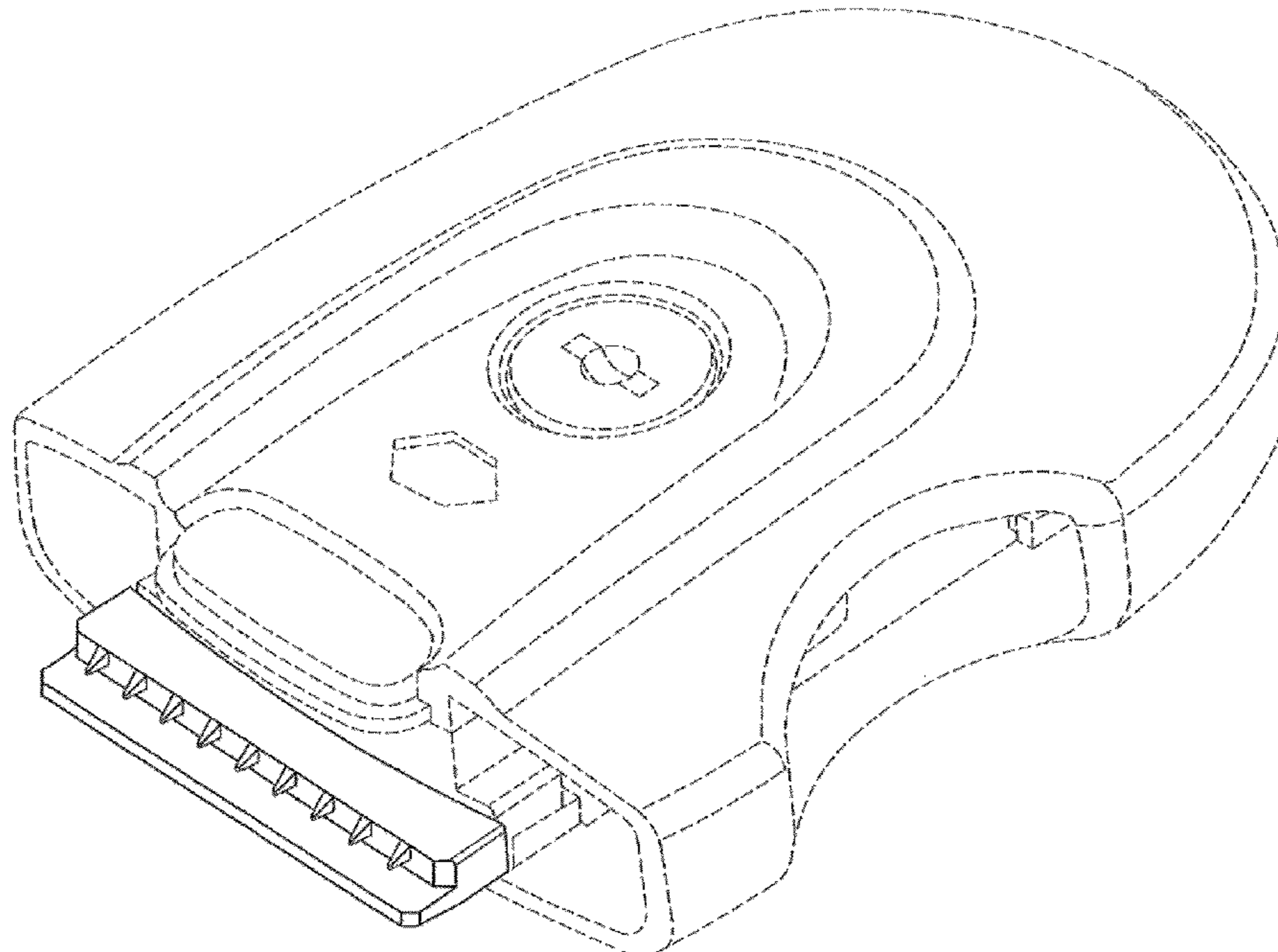
FIG. 7 is a back elevation view.

The broken lines illustrate portions of the luggage strap  
buckle that form no part of the claimed design.

Any elements of the luggage strap buckle that are not clearly  
disclosed are not part of the claimed design.

See application file for complete search history.

**1 Claim, 5 Drawing Sheets**



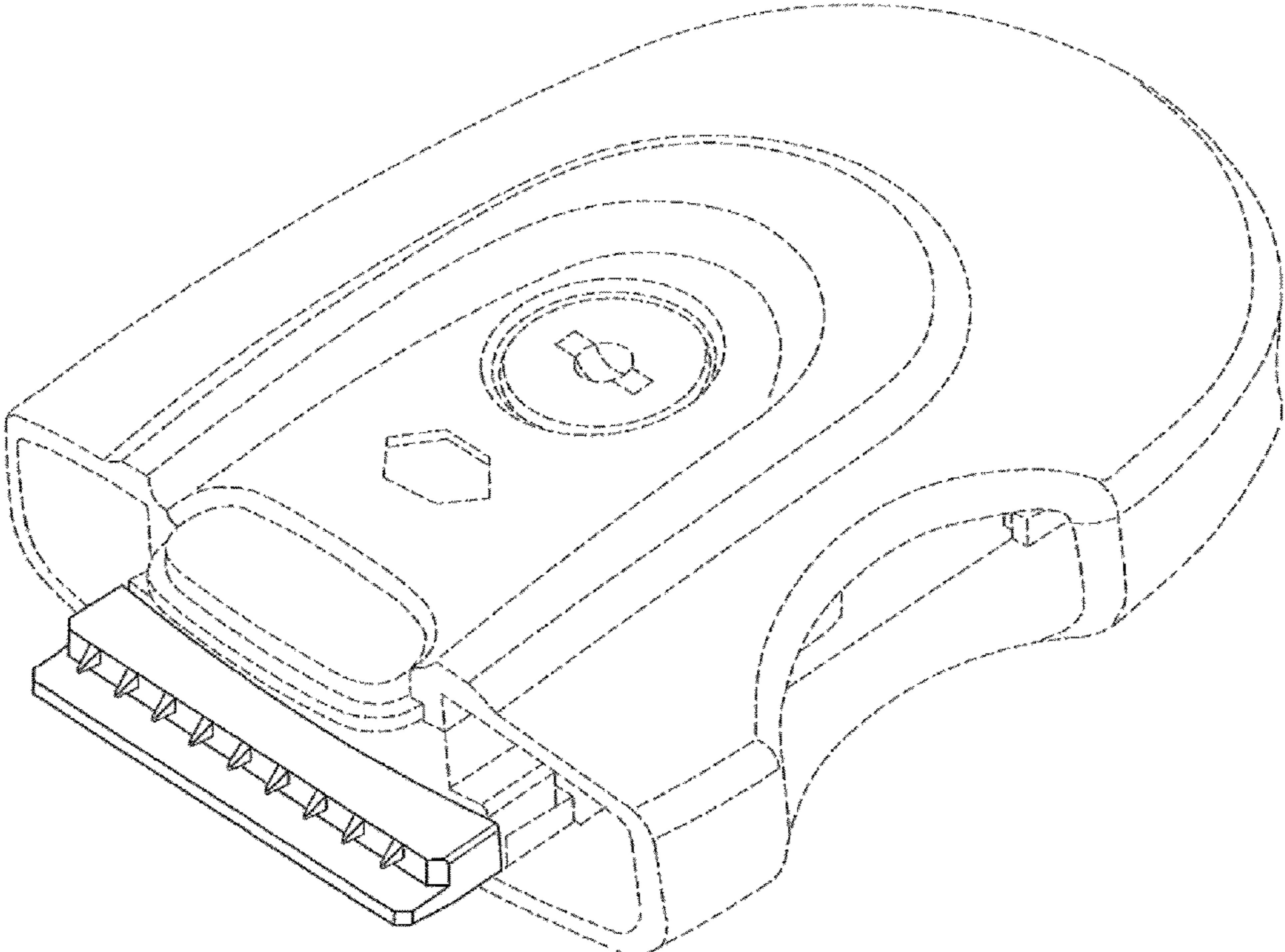


Fig. 1

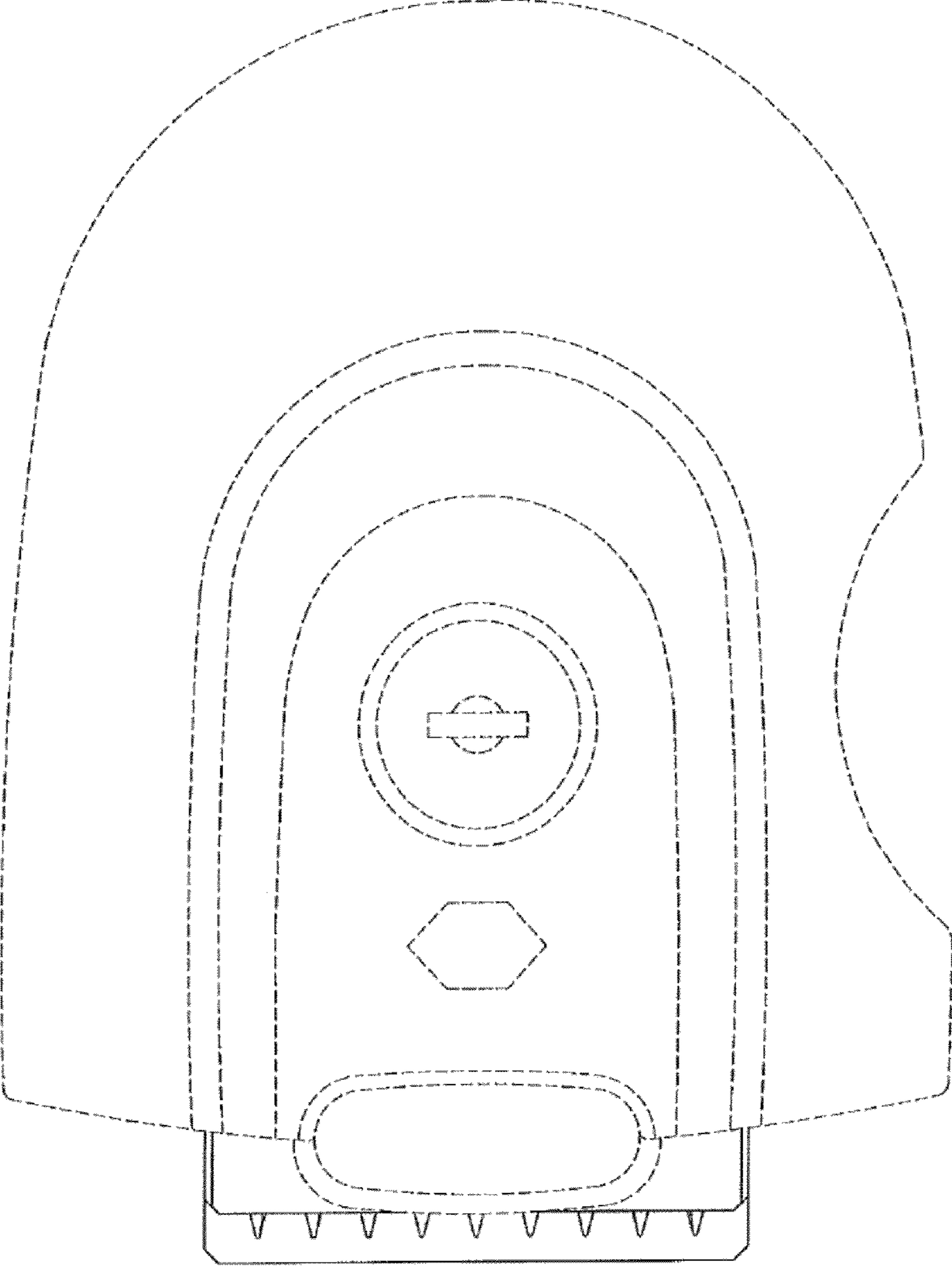


Fig. 2

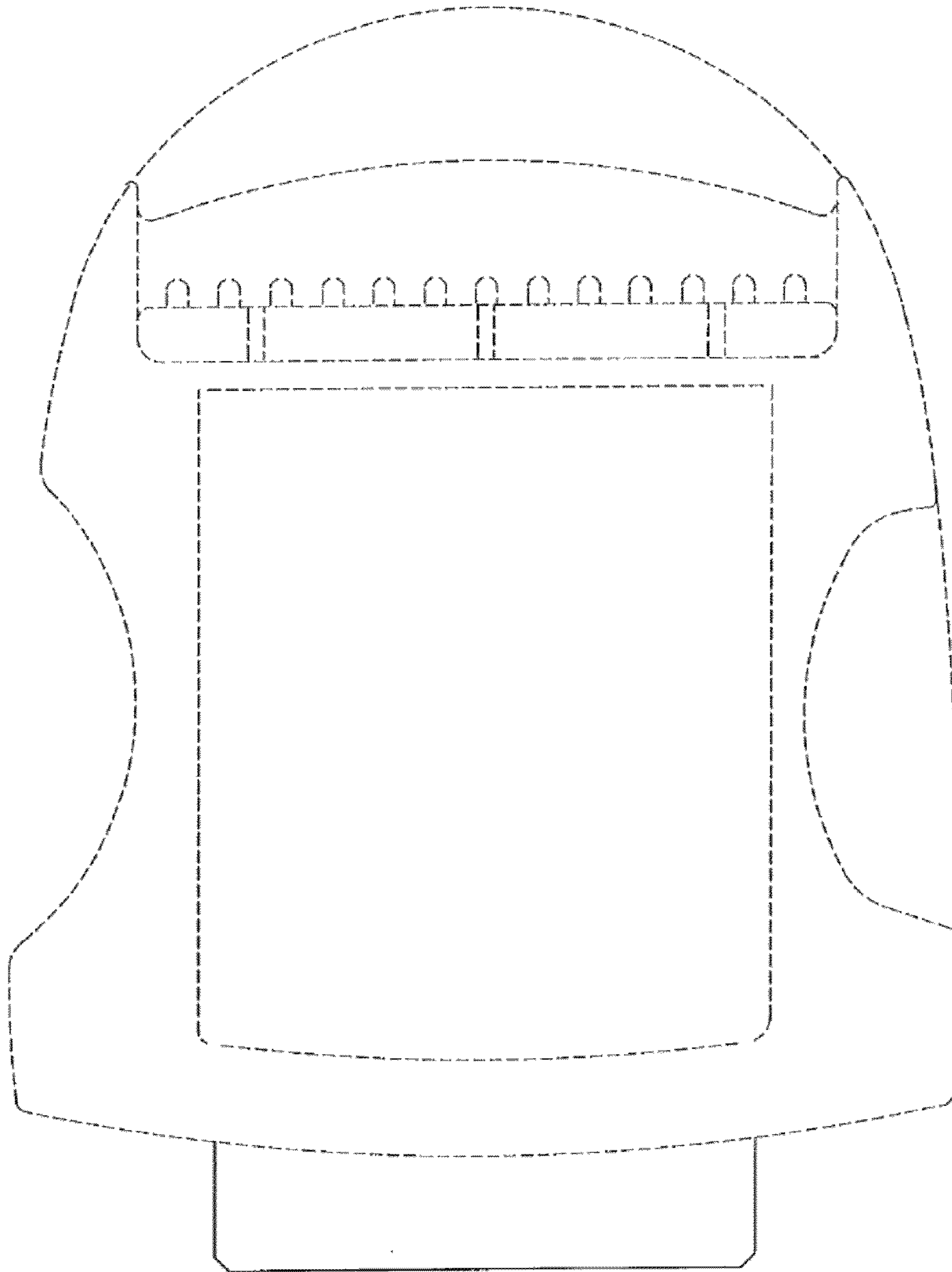


Fig. 3

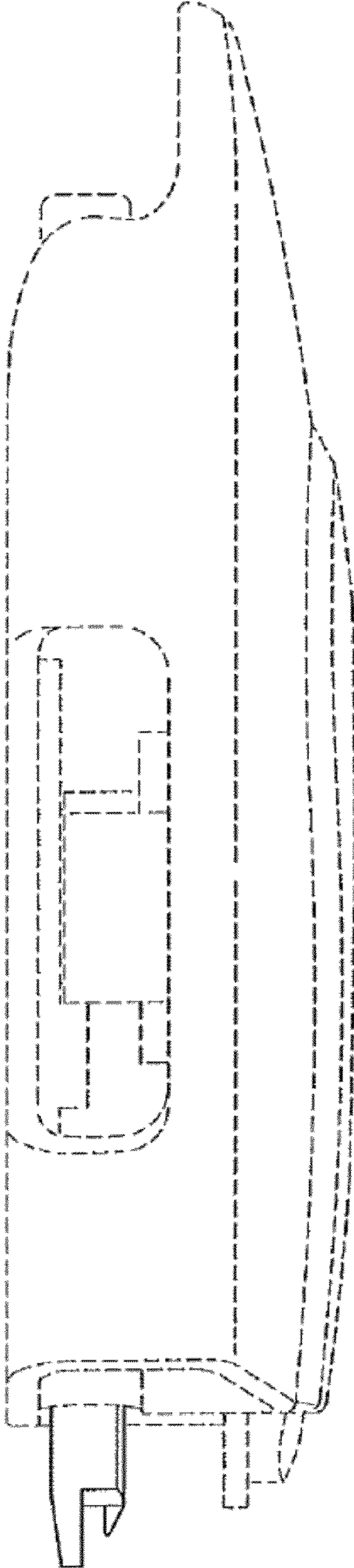


Fig. 4

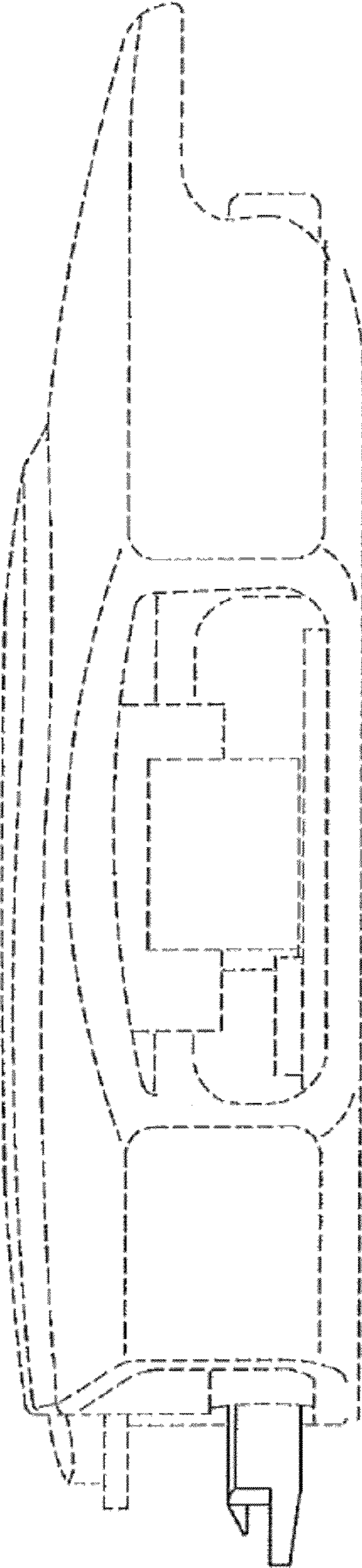


Fig. 5

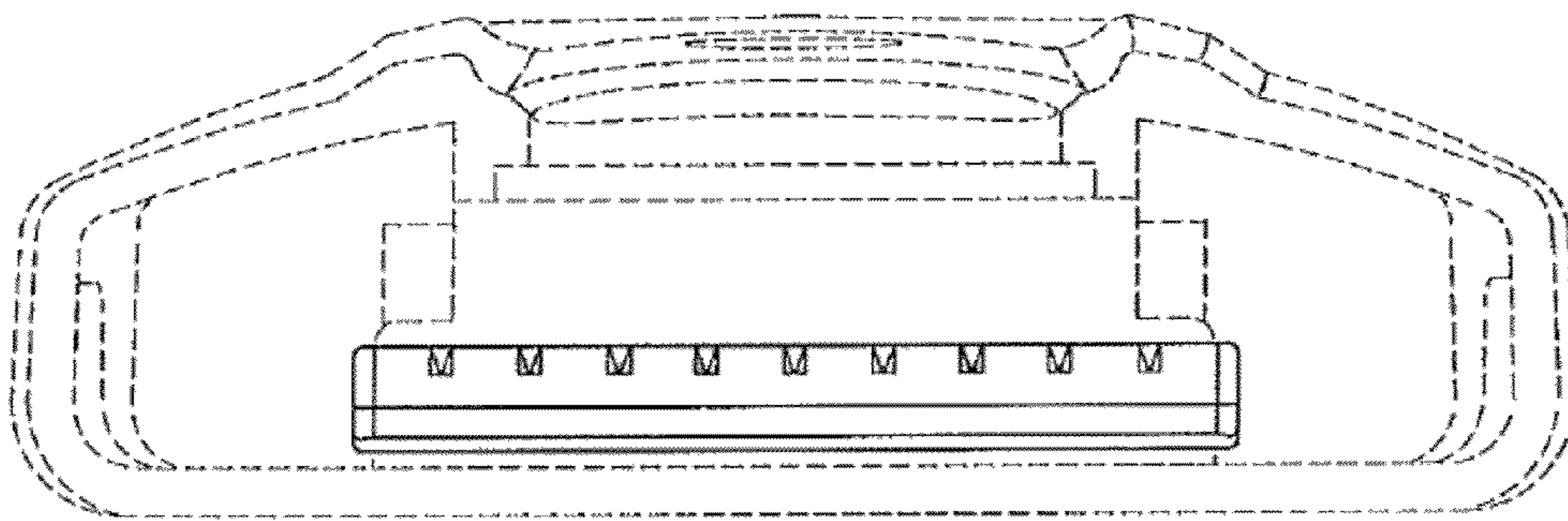


Fig. 6

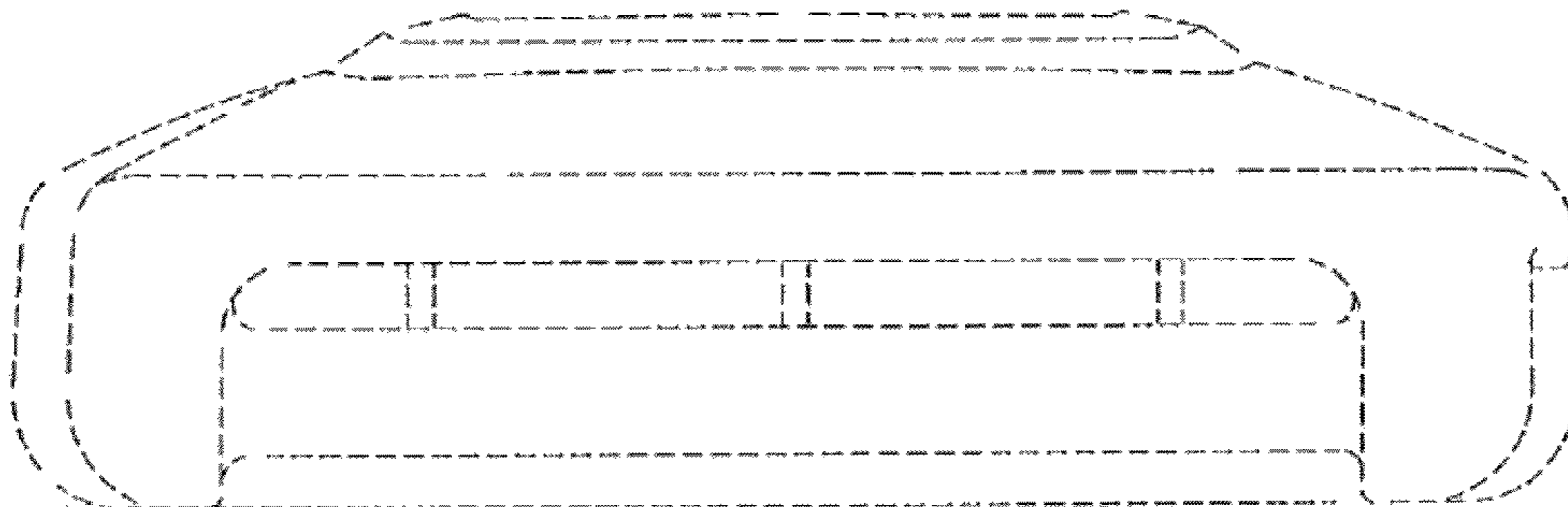


Fig. 7