



US00D719483S

(12) **United States Design Patent**
Wilson et al.

(10) **Patent No.:** **US D719,483 S**

(45) **Date of Patent:** **** Dec. 16, 2014**

(54) **BELT SUPPORT APPARATUS**

(71) Applicants: **Mickoy K Wilson**, Sunrise, FL (US);
Jason A Eulette, Sunrise, FL (US)

(72) Inventors: **Mickoy K Wilson**, Sunrise, FL (US);
Jason A Eulette, Sunrise, FL (US)

(**) Term: **14 Years**

(21) Appl. No.: **29/491,838**

(22) Filed: **May 26, 2014**

(51) **LOC (10) Cl.** **02-07**

(52) **U.S. Cl.**

USPC **D11/200**

(58) **Field of Classification Search**

CPC **A44B 11/00**

USPC **D11/1-2, 86, 87, 200-201, 206-210,**
D11/212-216, 218, 78.1; 24/163 R,
24/169-171, 173, 177-179, 191, 194-195,
24/197, 200, 303; D3/221

See application file for complete search history.

(56) **References Cited**

U.S. PATENT DOCUMENTS

D25,434 S * 4/1896 Iijima D11/200
5,588,184 A * 12/1996 Chen 24/170
5,809,618 A * 9/1998 Perhacs 24/71.1
D544,400 S * 6/2007 Yoshiguchi D11/200

D586,691 S * 2/2009 Snell D11/214
D616,331 S * 5/2010 Anscher D11/216
D699,625 S * 2/2014 Grimm et al. D11/218
D704,095 S * 5/2014 Kowalewski D11/200
D711,774 S * 8/2014 Paik et al. D11/216

* cited by examiner

Primary Examiner — Ralf Seifert

(57) **CLAIM**

We claim the ornamental design for a belt support apparatus, as shown and described.

DESCRIPTION

FIG. 1 is an isometric top, left view of the belt support apparatus;

FIG. 2 is an isometric top, right view thereof;

FIG. 3 is a left view thereof;

FIG. 4 is a right view thereof;

FIG. 5 is a top view thereof;

FIG. 6 is a bottom side view thereof;

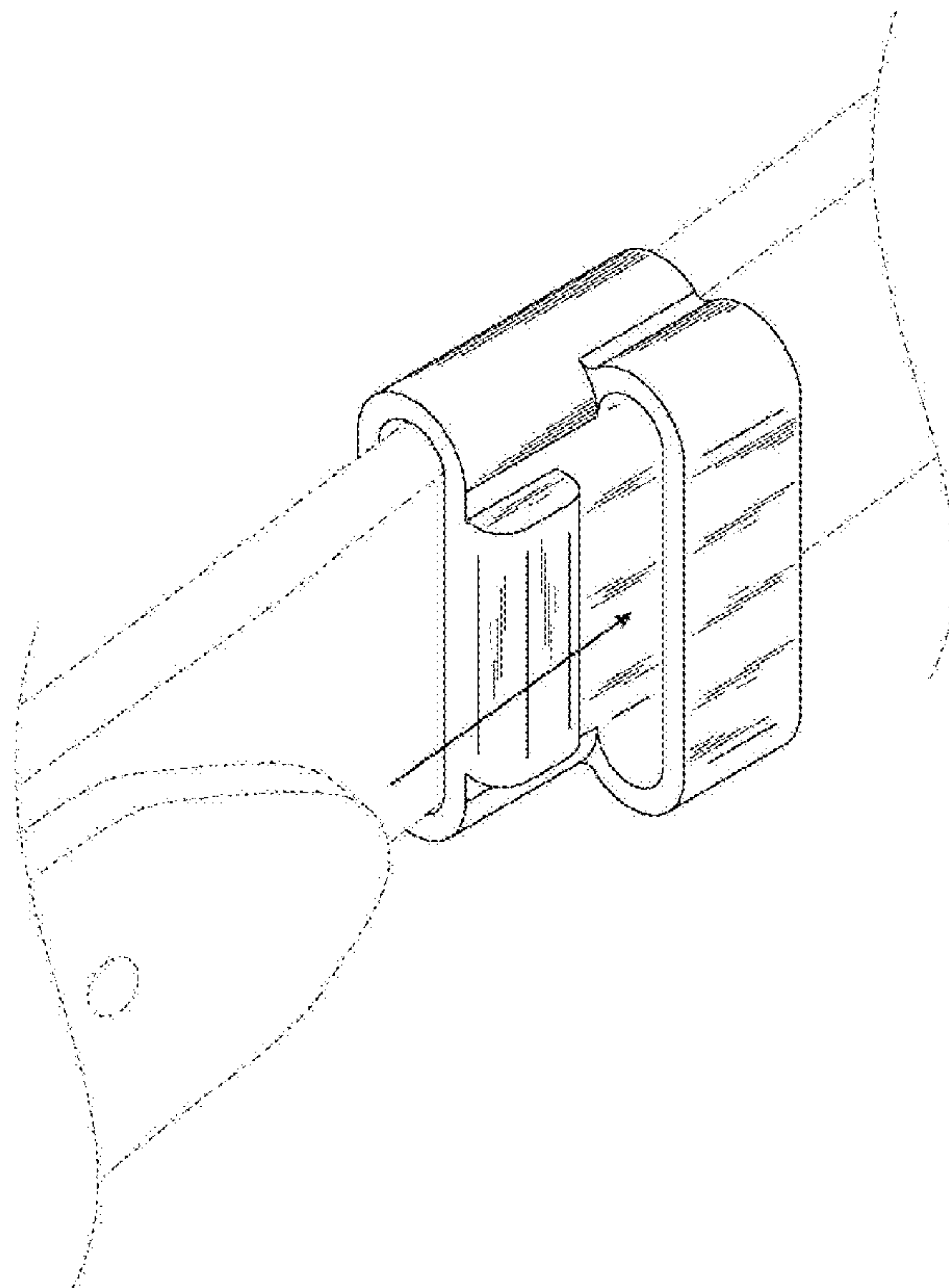
FIG. 7 is a front view thereof;

FIG. 8 is a back view thereof; and,

FIG. 9 is an isometric top, left view of the belt support apparatus on a belt thereof.

The broken line showing of a belt is included for the purpose of illustrating environmental matter and forms no part of the claimed design.

1 Claim, 5 Drawing Sheets



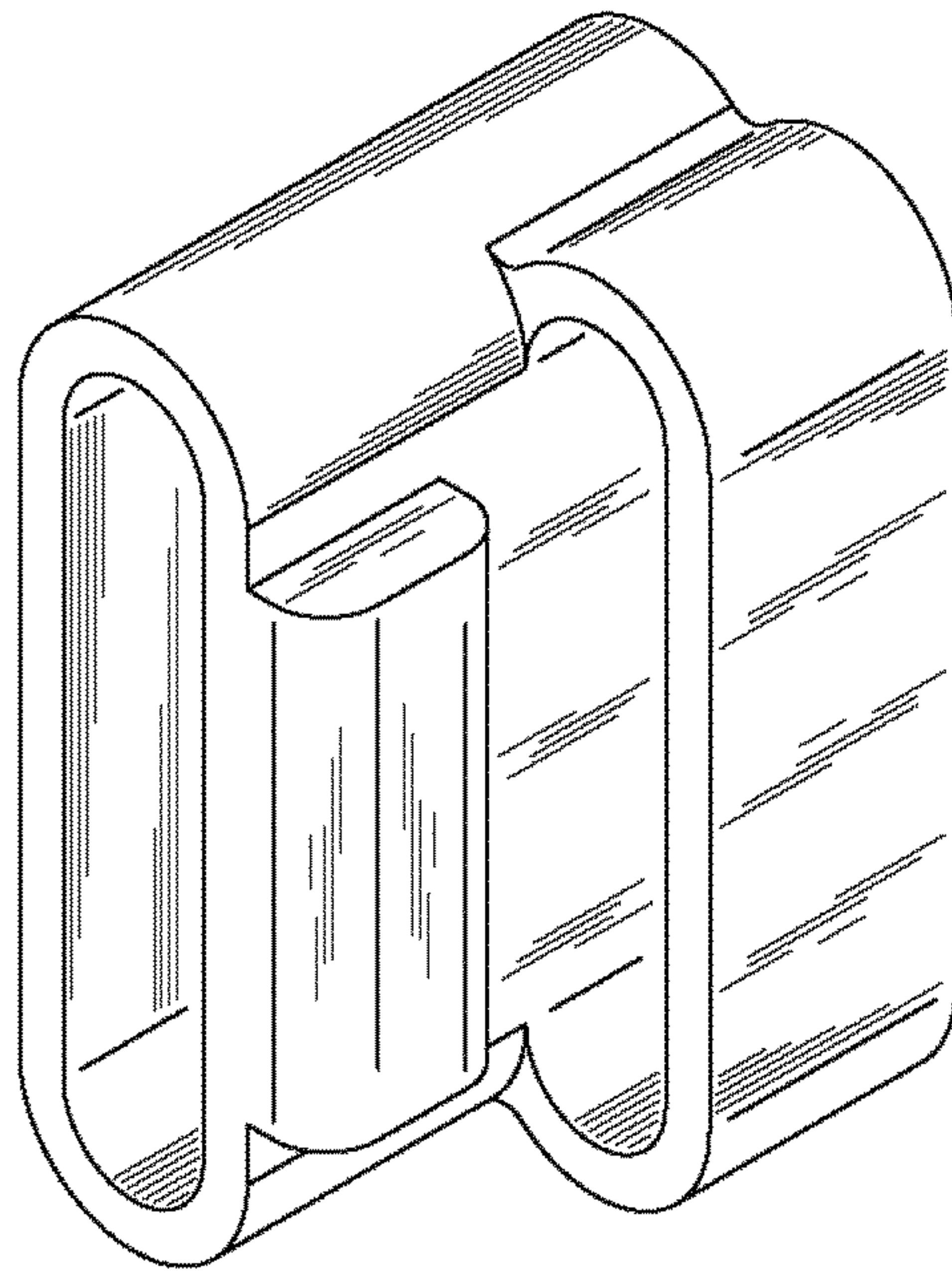


FIG. 1

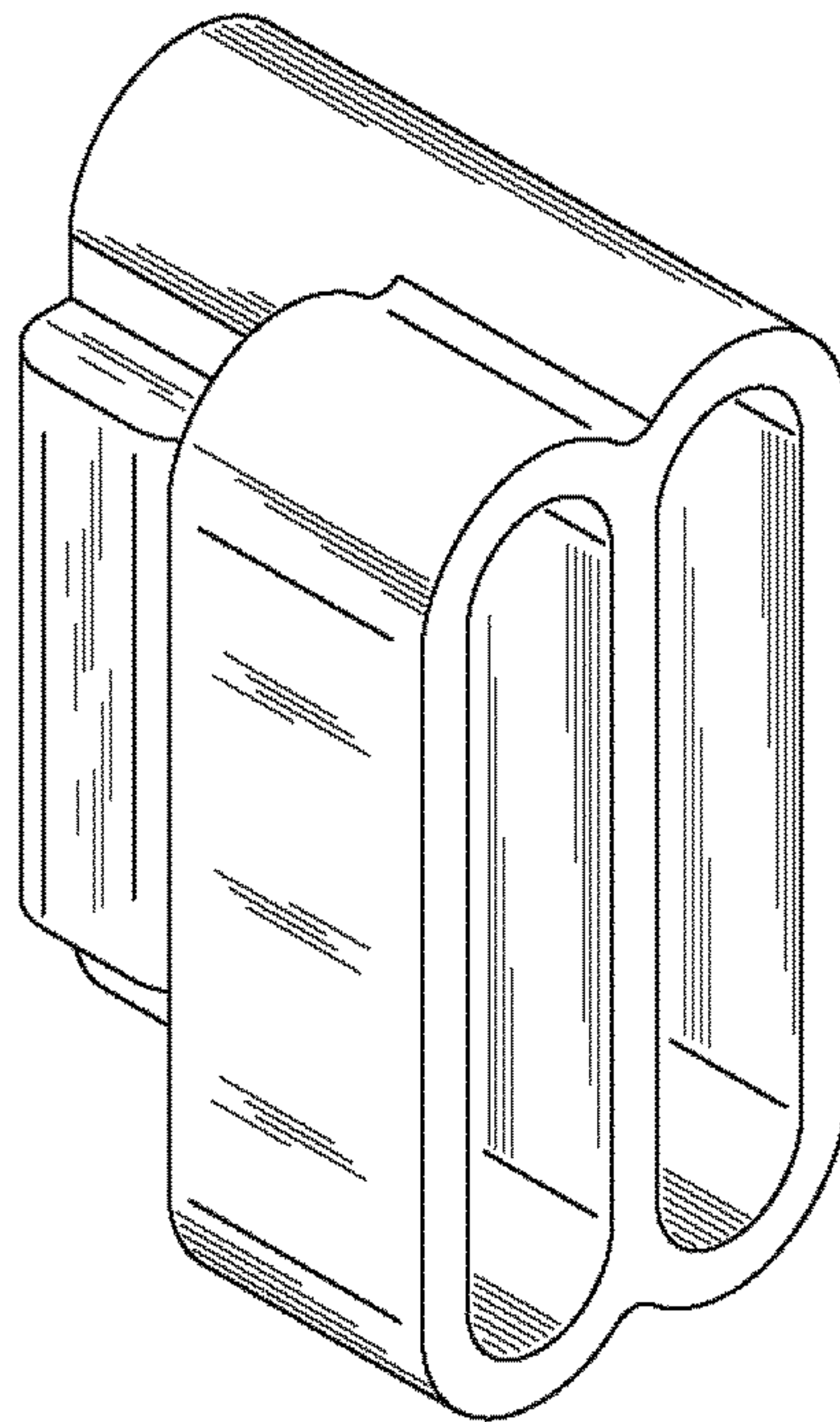


FIG. 2

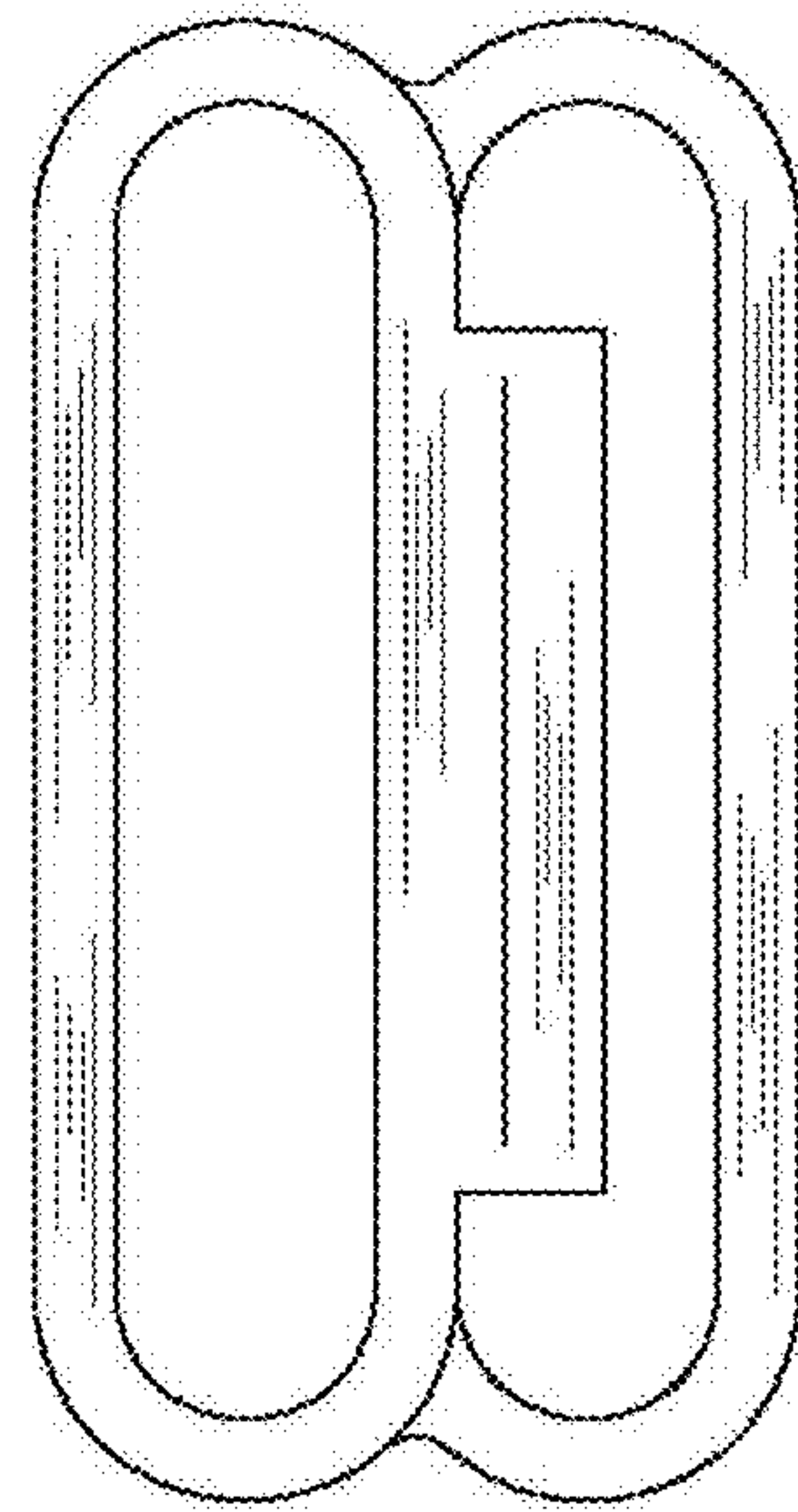


FIG. 3

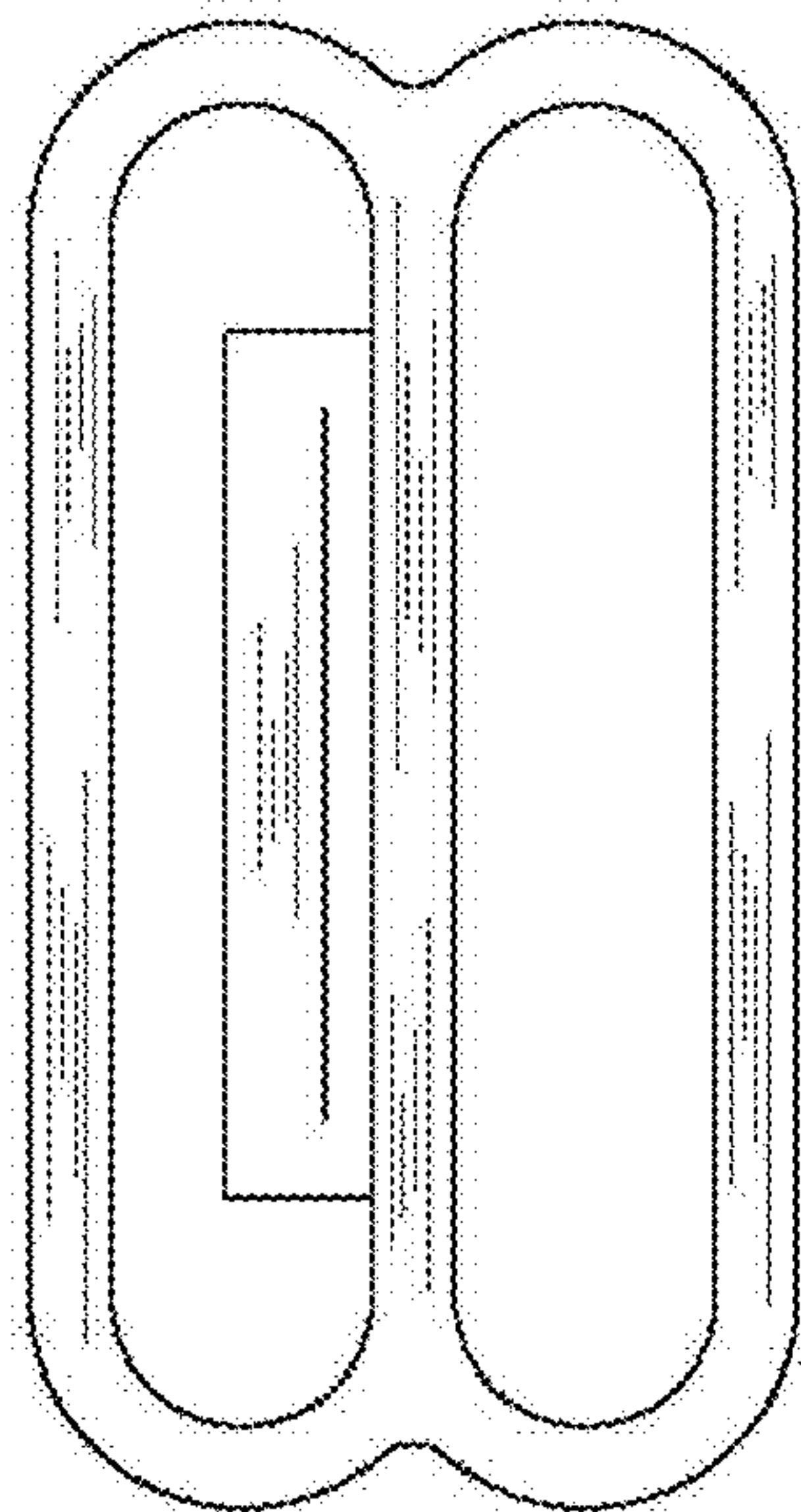


FIG. 4

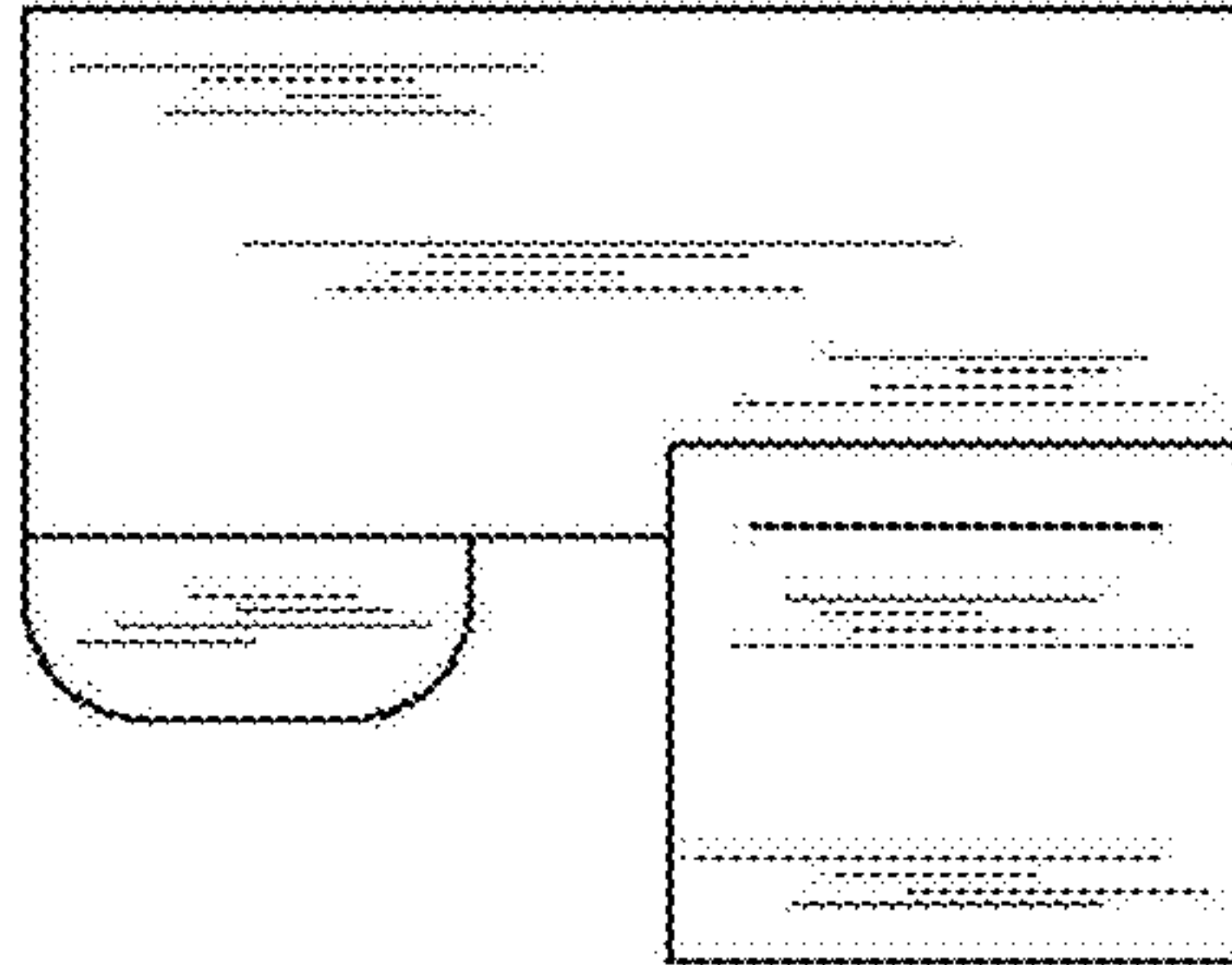


FIG. 5

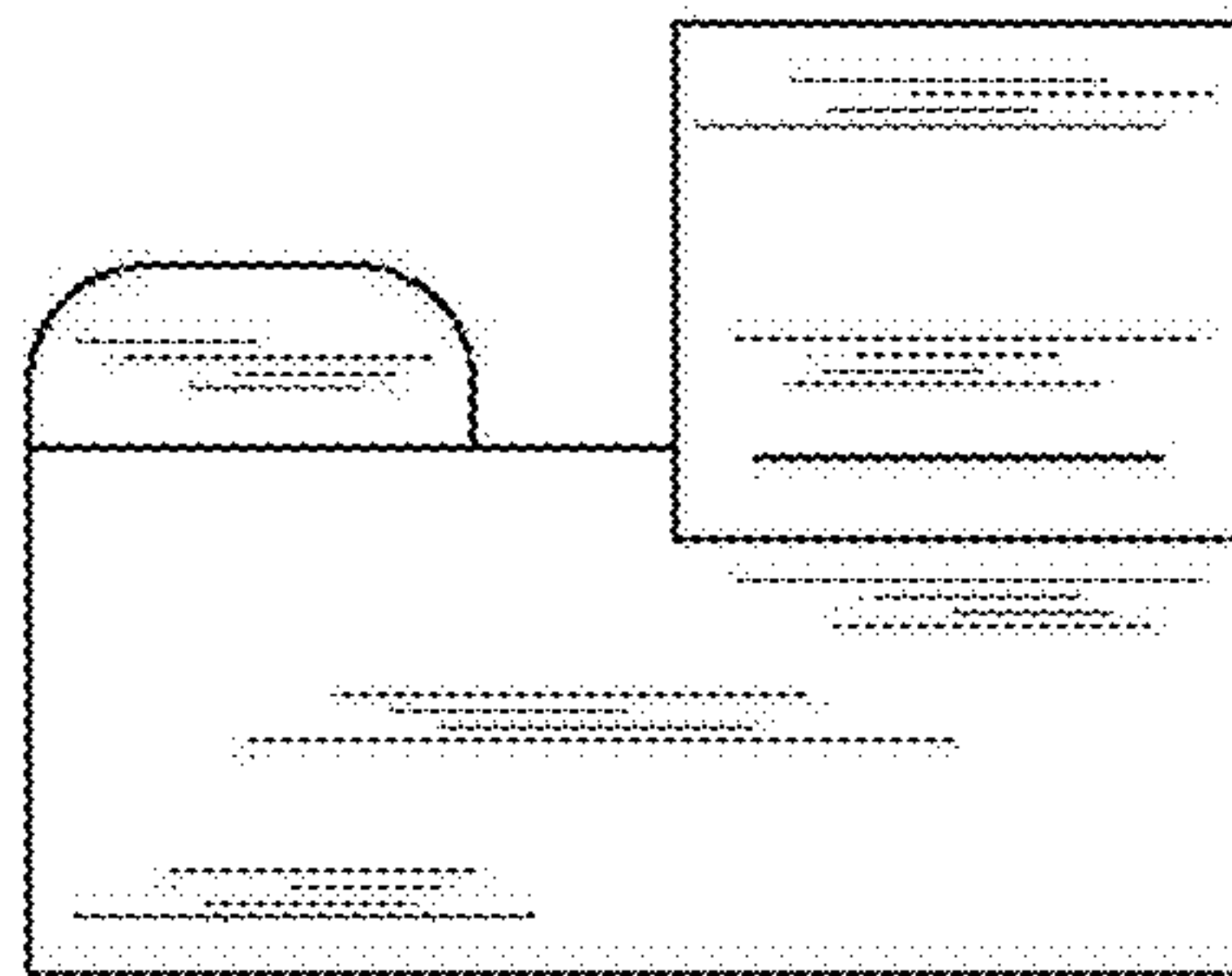


FIG. 6

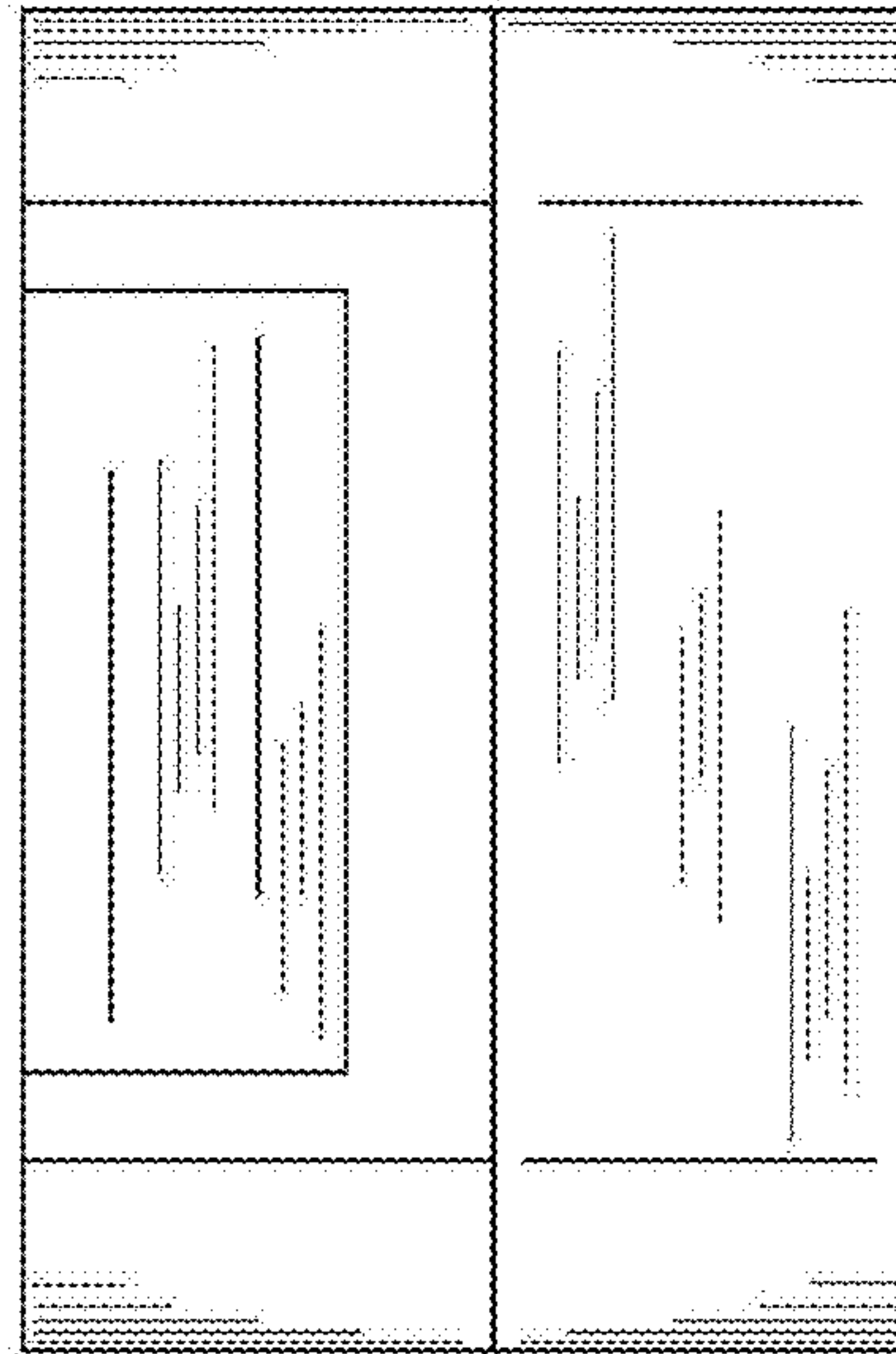


FIG. 7

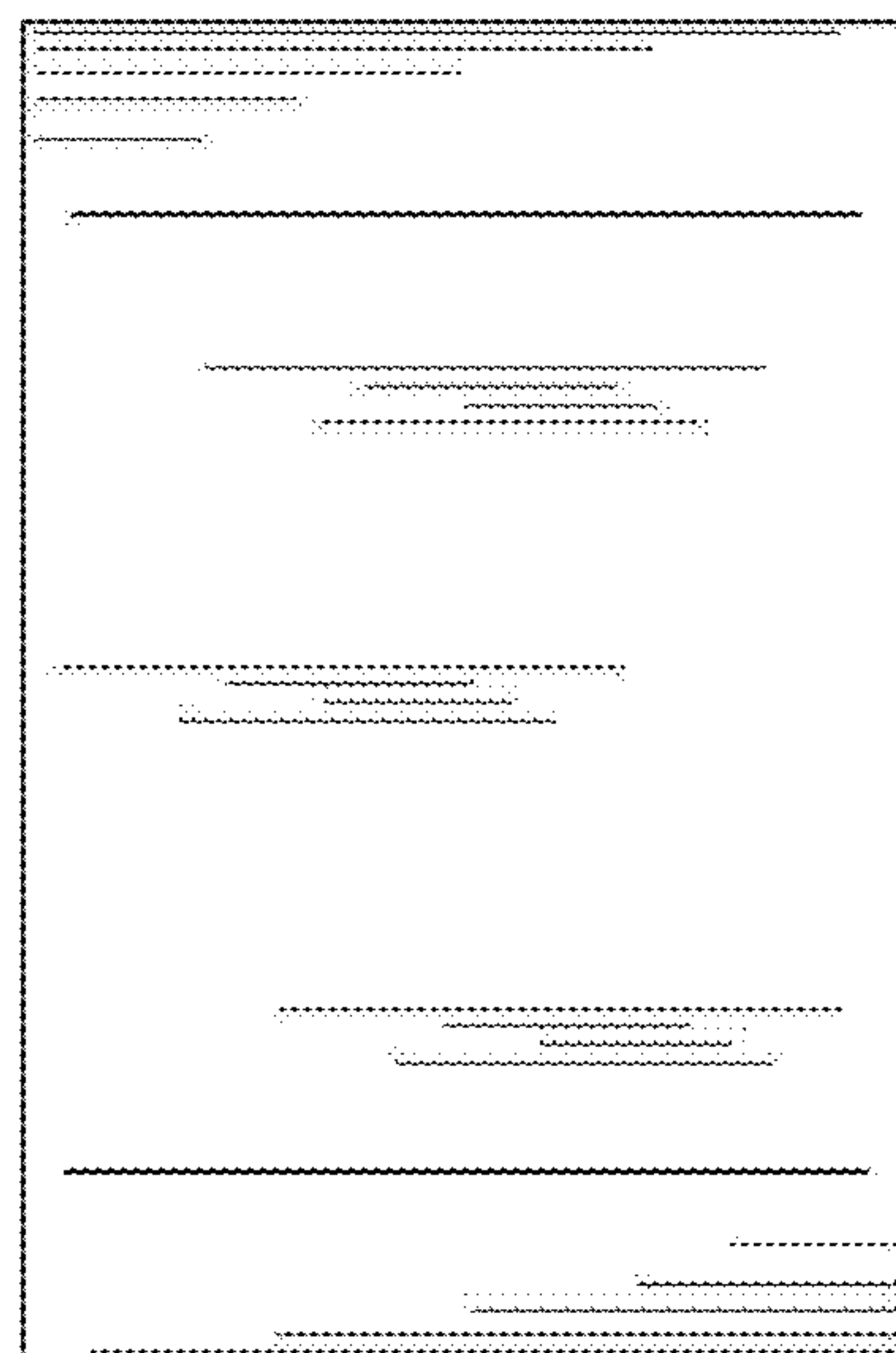


FIG. 8

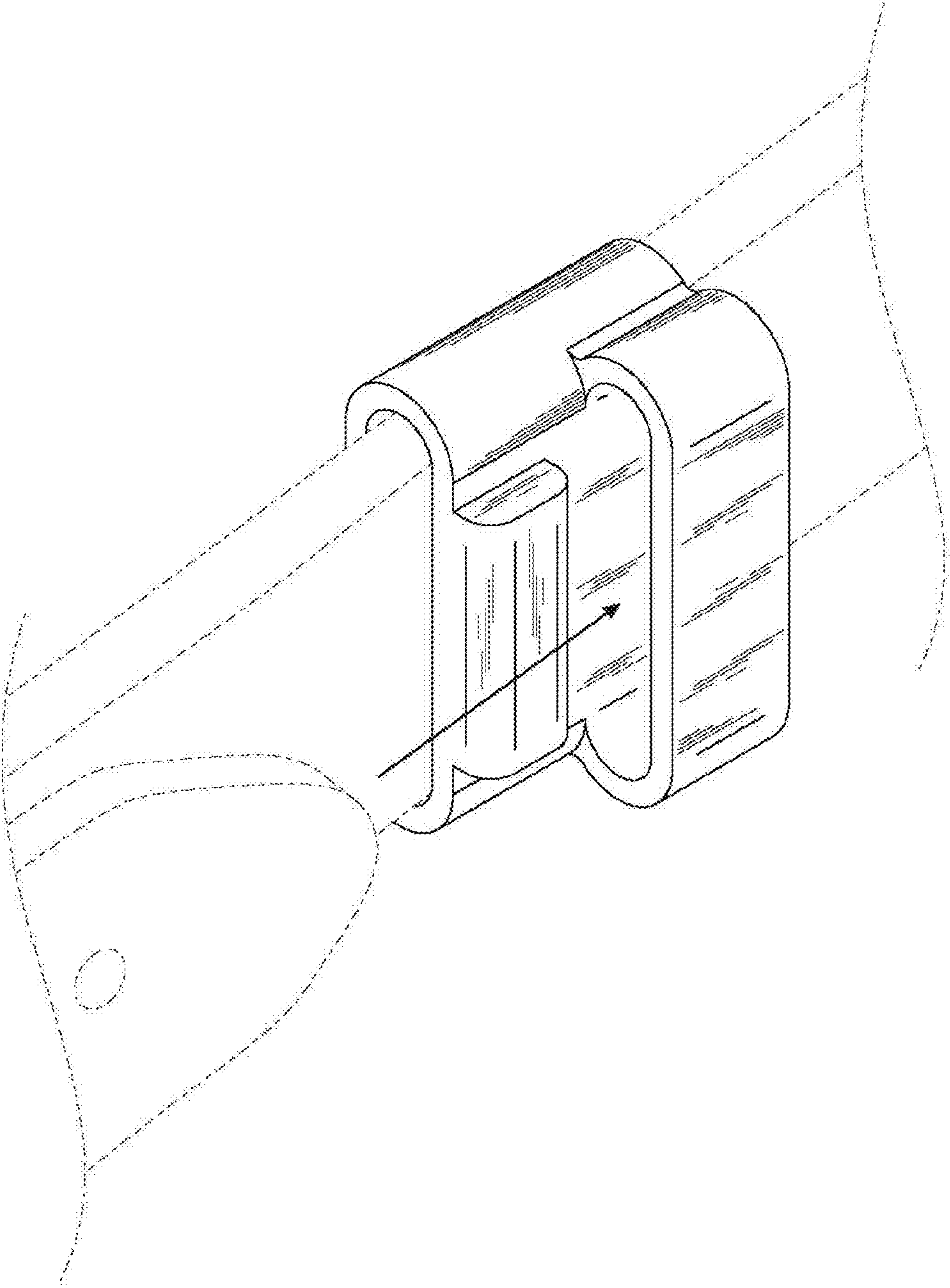


FIG. 9