



US00D719474S

(12) **United States Design Patent**
Buonamassa

(10) **Patent No.:** **US D719,474 S**
(45) **Date of Patent:** **** Dec. 16, 2014**

(54) **WRISTWATCH**

(75) Inventor: **Fabrizio Buonamassa**, Neuchâtel (CH)

(73) Assignee: **Bulgari Horlogerie SA**, Neuchâtel (CH)

(**) Term: **14 Years**

(21) Appl. No.: **29/402,004**

(22) Filed: **Sep. 19, 2011**

(30) **Foreign Application Priority Data**

Mar. 18, 2011 (WO) DM/075 599

(51) **LOC (10) Cl.** **10-07**

(52) **U.S. Cl.**
USPC **D10/124**

(58) **Field of Classification Search**
USPC D10/30-39, 122-132; 368/276, 281,
368/282, 285, 223, 80, 228, 232
See application file for complete search history.

(56) **References Cited**

U.S. PATENT DOCUMENTS

D66,077 S * 11/1924 Conant D10/126
D76,705 S * 10/1928 Salinger D10/124
D353,553 S * 12/1994 Ito D10/126

D437,791 S * 2/2001 Roden D10/32
D439,173 S * 3/2001 Giardiello D10/32
D449,231 S * 10/2001 Giardiello D10/32
D451,406 S * 12/2001 Giardiello D10/32
D470,777 S * 2/2003 Ramazzina D10/30
D481,322 S * 10/2003 Hill D10/128
D531,064 S * 10/2006 Senggen et al. D10/32
D578,022 S * 10/2008 Salemi D10/32
D637,093 S * 5/2011 Salemi D10/32

* cited by examiner

Primary Examiner — Lucy Lieberman

(74) *Attorney, Agent, or Firm* — Sughrue Mion, PLLC

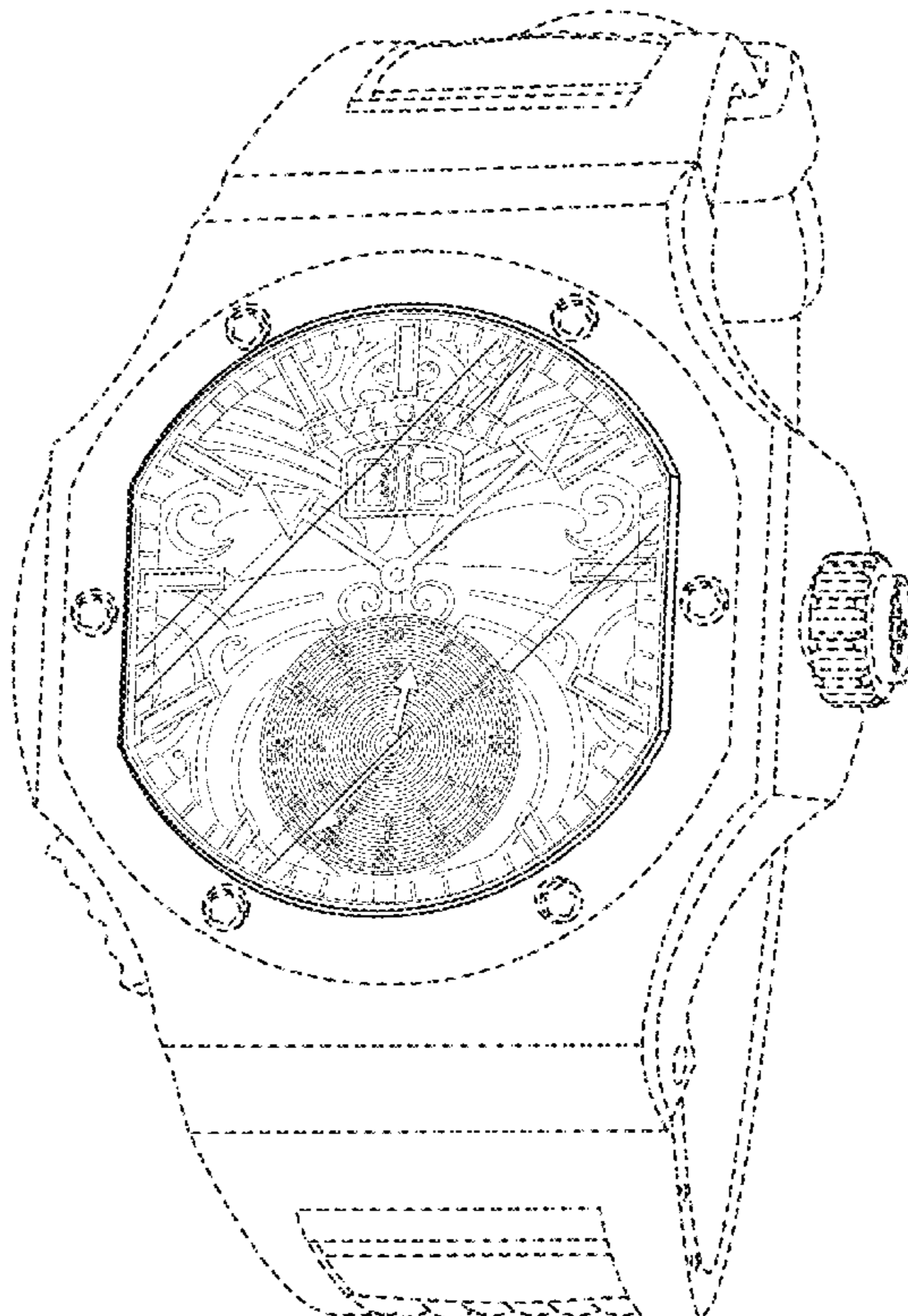
(57) **CLAIM**

The ornamental design for a wristwatch, as shown and described.

DESCRIPTION

FIG. 1 is a top view of the wristwatch that comprises my invention;
FIG. 2 is a rear view thereof;
FIG. 3 is a front view thereof;
FIG. 4 is a left side view thereof;
FIG. 5 is a right side view thereof; and,
FIG. 6 is a top perspective view thereof.
The broken lines are used in the drawings to show portions of the wristwatch that do not form part of the claimed design.

1 Claim, 6 Drawing Sheets



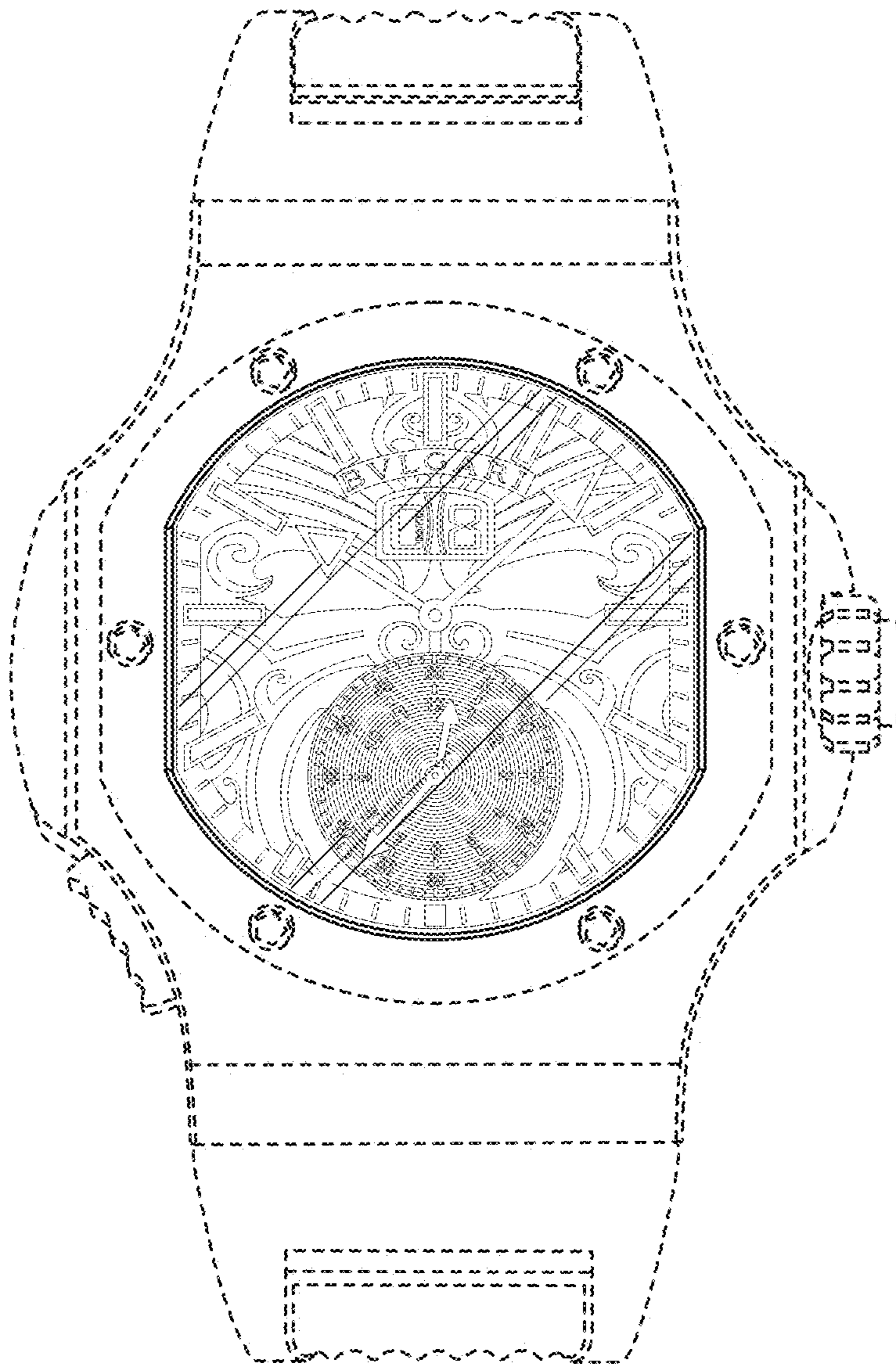


FIG. 1

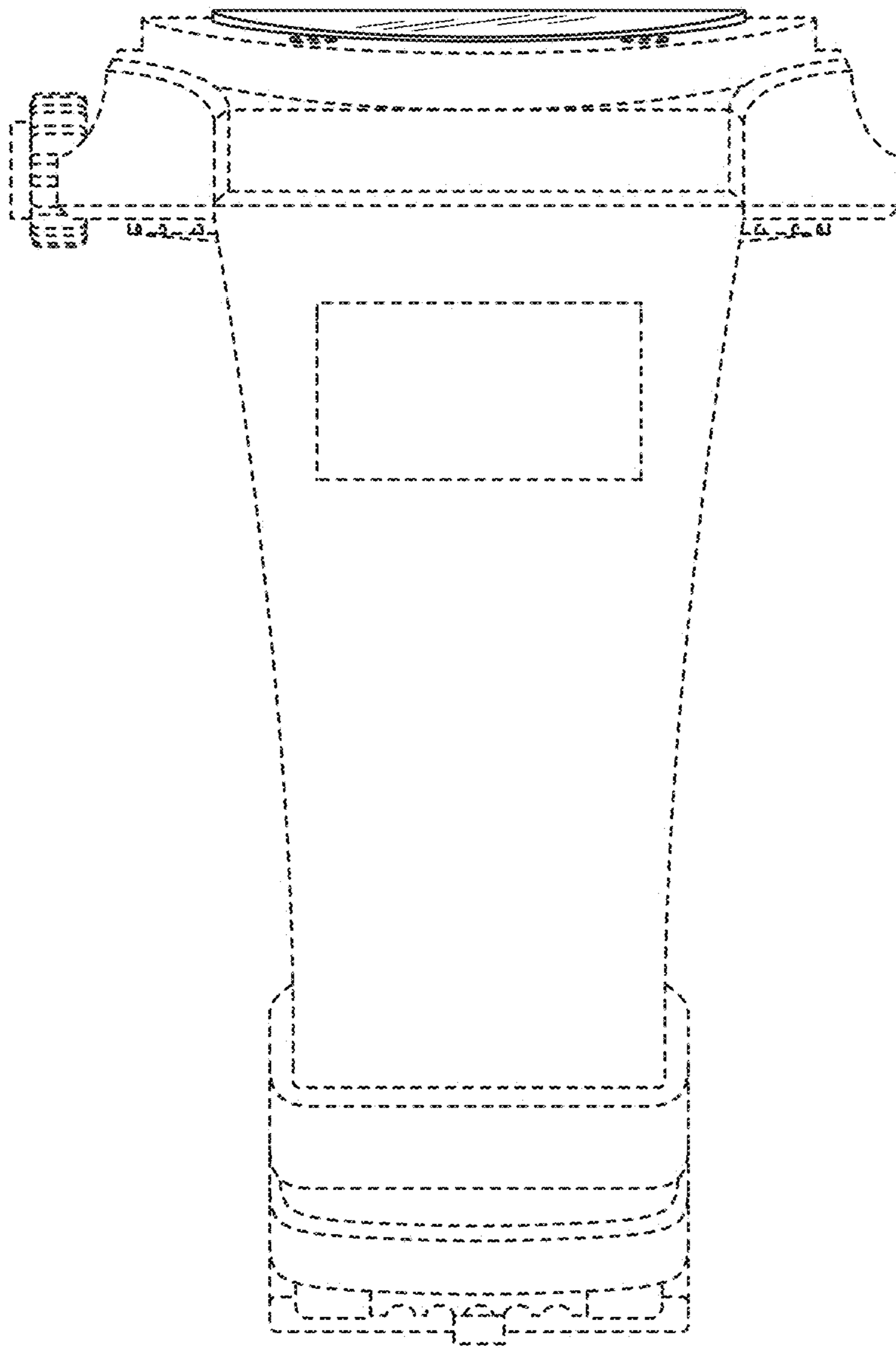


FIG. 2

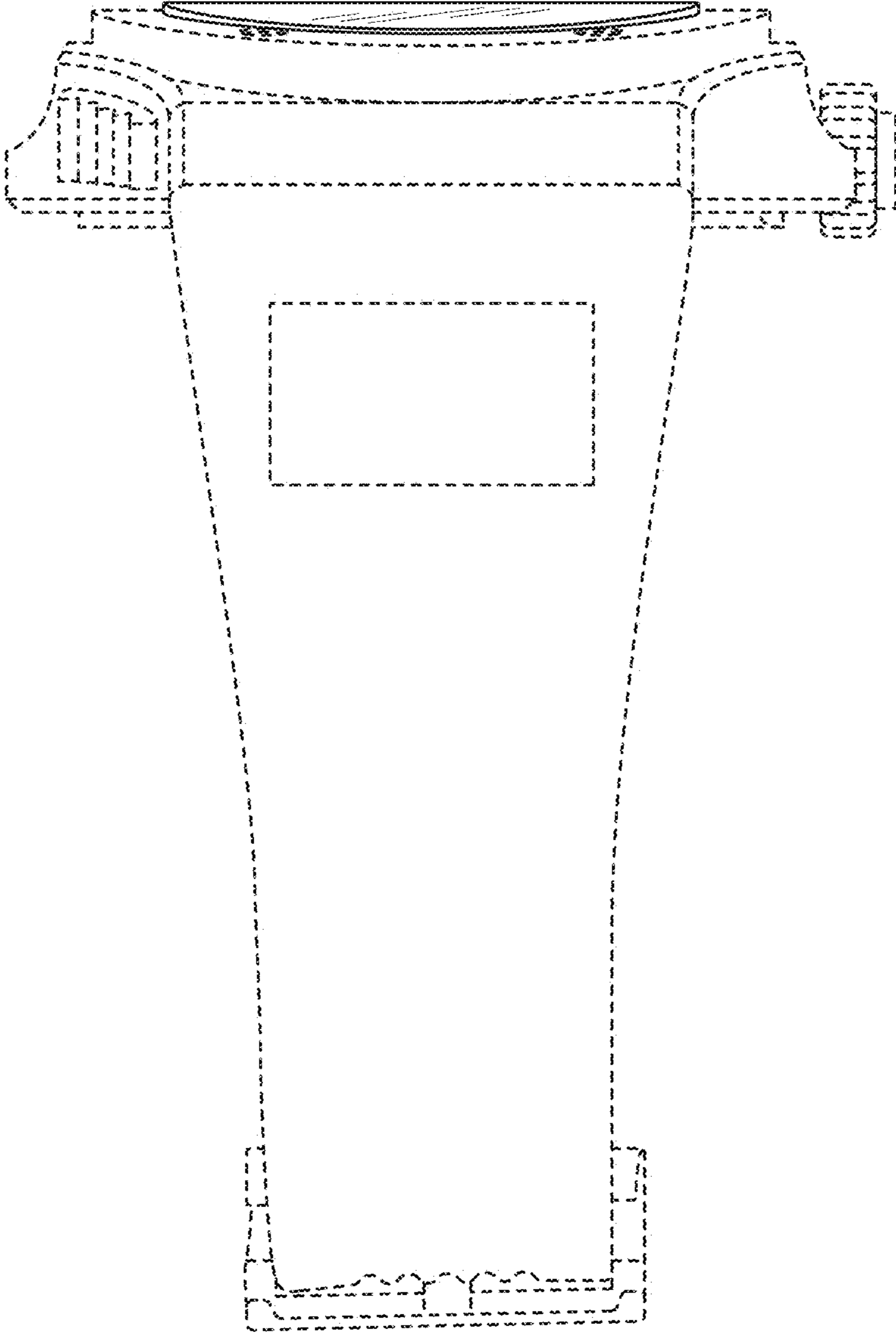


FIG. 3

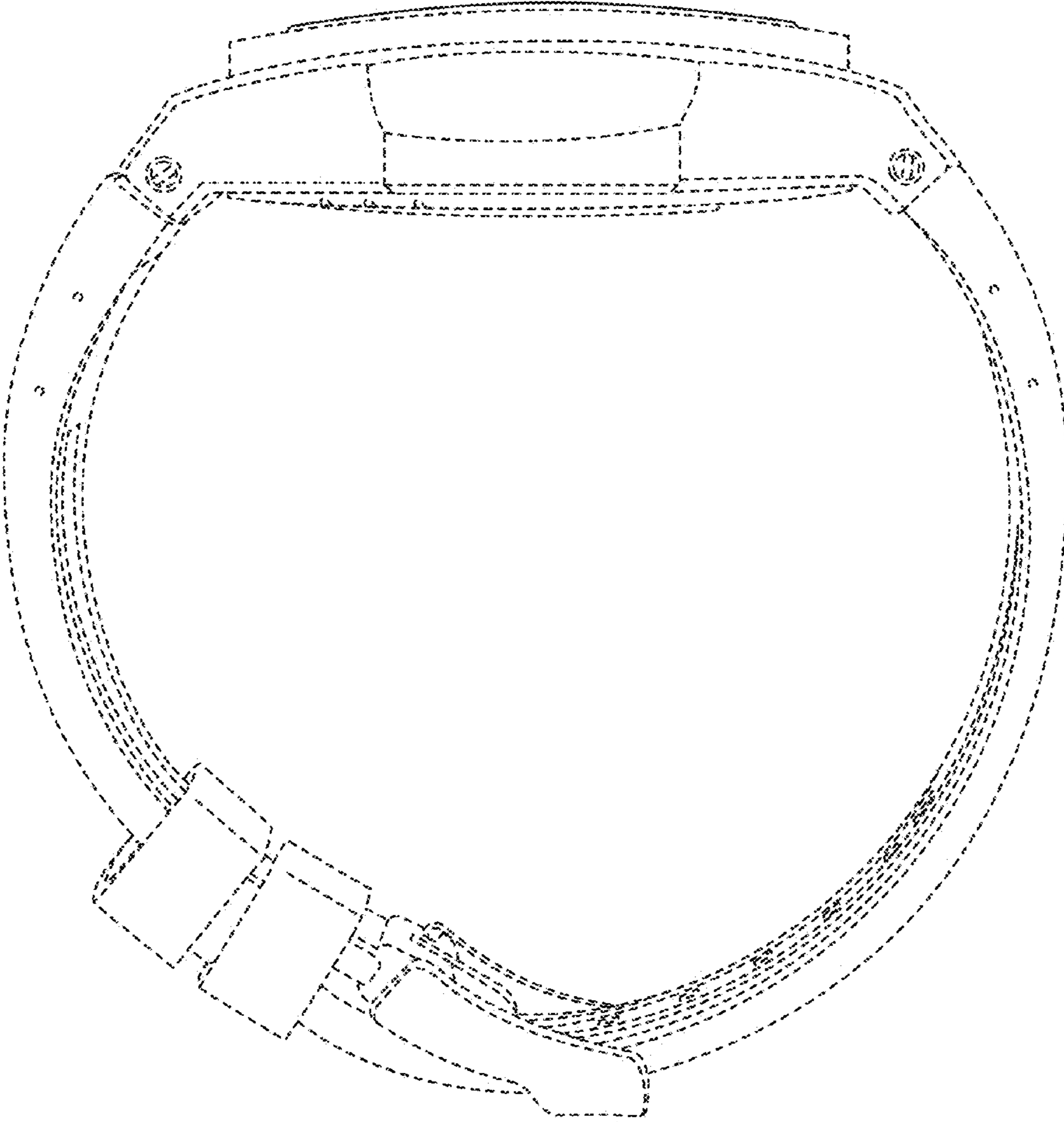


FIG. 4

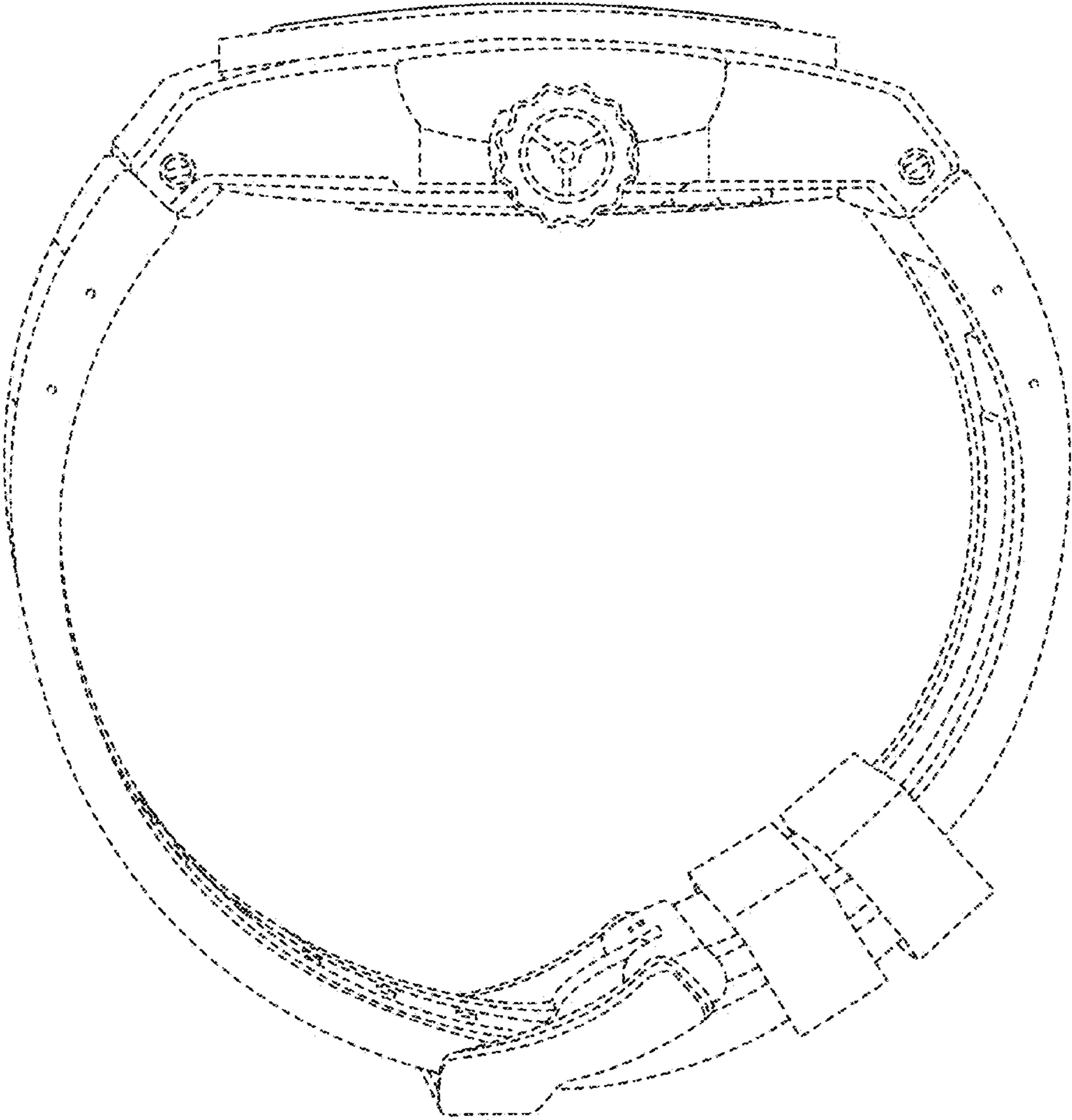


FIG. 5

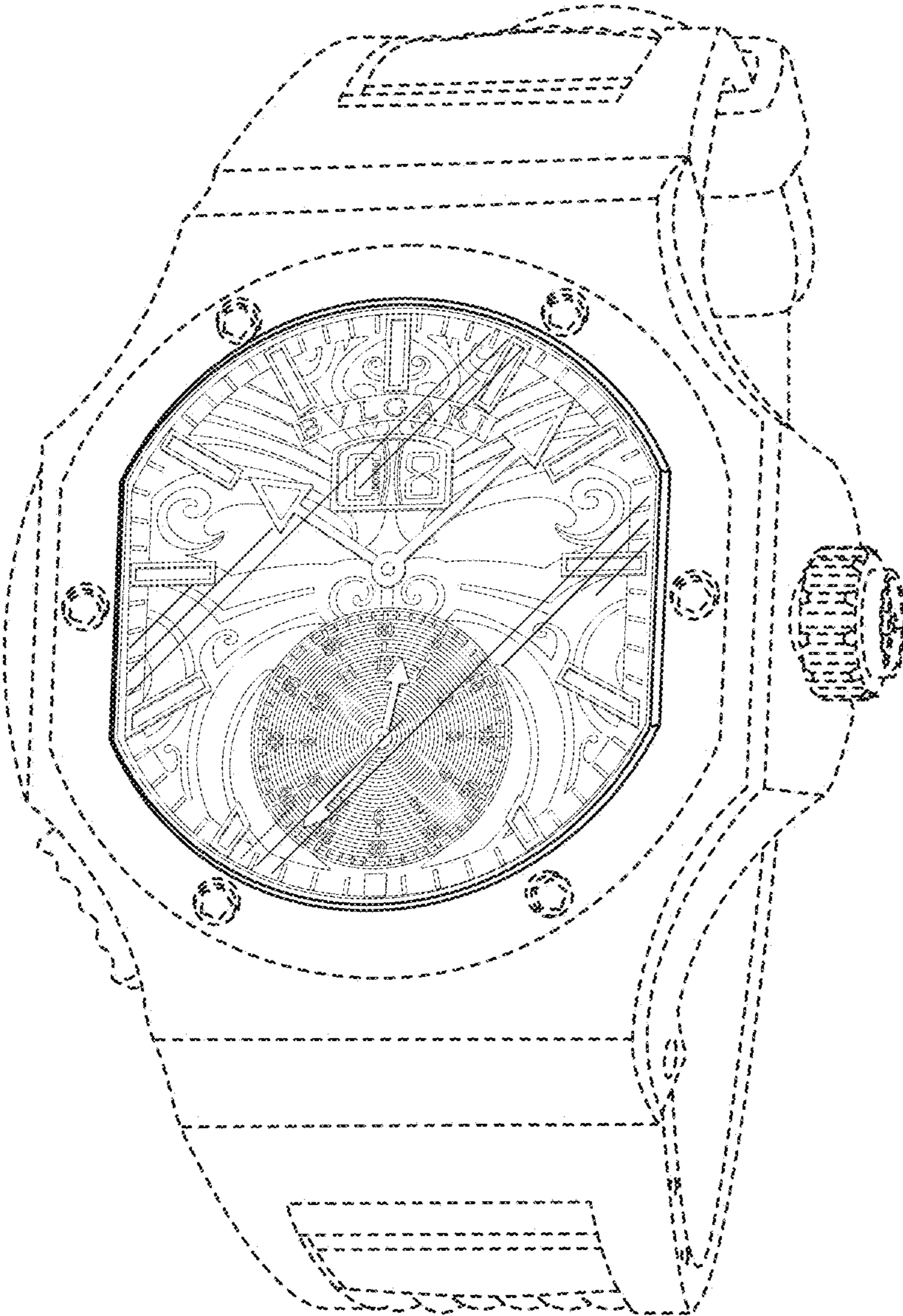


FIG. 6