



US00D719470S

(12) **United States Design Patent**  
**Silberberg**

(10) **Patent No.:** **US D719,470 S**

(45) **Date of Patent:** **\*\* Dec. 16, 2014**

(54) **PLUMBER'S LEVEL**

(71) Applicant: **Mark L. Silberberg**, Fallbrook, CA  
(US)

(72) Inventor: **Mark L. Silberberg**, Fallbrook, CA  
(US)

(\*\*) Term: **14 Years**

(21) Appl. No.: **29/461,406**

(22) Filed: **Jul. 23, 2013**

(51) **LOC (10) Cl.** ..... **10-04**

(52) **U.S. Cl.**  
USPC ..... **D10/69**

(58) **Field of Classification Search**  
CPC ..... G01C 9/18; G01C 9/26; G01C 9/32;  
G01C 9/28; G01C 9/34  
USPC ..... D10/69; 33/365, 366.11-366.27,  
33/367-391  
See application file for complete search history.

(56) **References Cited**

U.S. PATENT DOCUMENTS

3,584,212 A	6/1971	Hansen	
4,593,475 A	6/1986	Mayes	
D301,553 S	6/1989	Makofsky et al.	
5,103,569 A *	4/1992	Leatherwood	33/379
D332,226 S *	1/1993	Hutchins et al.	D10/69
D355,134 S	2/1995	Kennedy	
D371,309 S	7/1996	Webb	
D389,758 S	1/1998	Motamed	
D395,013 S	6/1998	Webb	
D409,100 S	5/1999	Brimer	

D411,470 S	6/1999	Webb	
D504,834 S *	5/2005	DeBoer et al.	D10/69
D513,198 S *	12/2005	Levinson	D10/69
D538,186 S	3/2007	Silberberg	
D539,679 S	4/2007	Silberberg	
7,210,243 B2 *	5/2007	Schmidt et al.	33/613
D546,214 S *	7/2007	Schwartz et al.	D10/69
7,509,752 B2 *	3/2009	Schmidt et al.	33/613
D590,280 S	4/2009	Allemand	
D597,871 S	8/2009	Liao	
D597,873 S	8/2009	Gofer	
D613,194 S	4/2010	Silberberg	
7,802,372 B1	9/2010	Silberberg	
7,946,045 B2	5/2011	Allemand	
7,975,393 B2 *	7/2011	Sparrow	33/348
D646,597 S	10/2011	Allemand	
8,061,051 B2	11/2011	Allemand	
D694,136 S *	11/2013	Silberberg	D10/69

\* cited by examiner

*Primary Examiner* — Antoine D Davis

(74) *Attorney, Agent, or Firm* — James E. Brunton

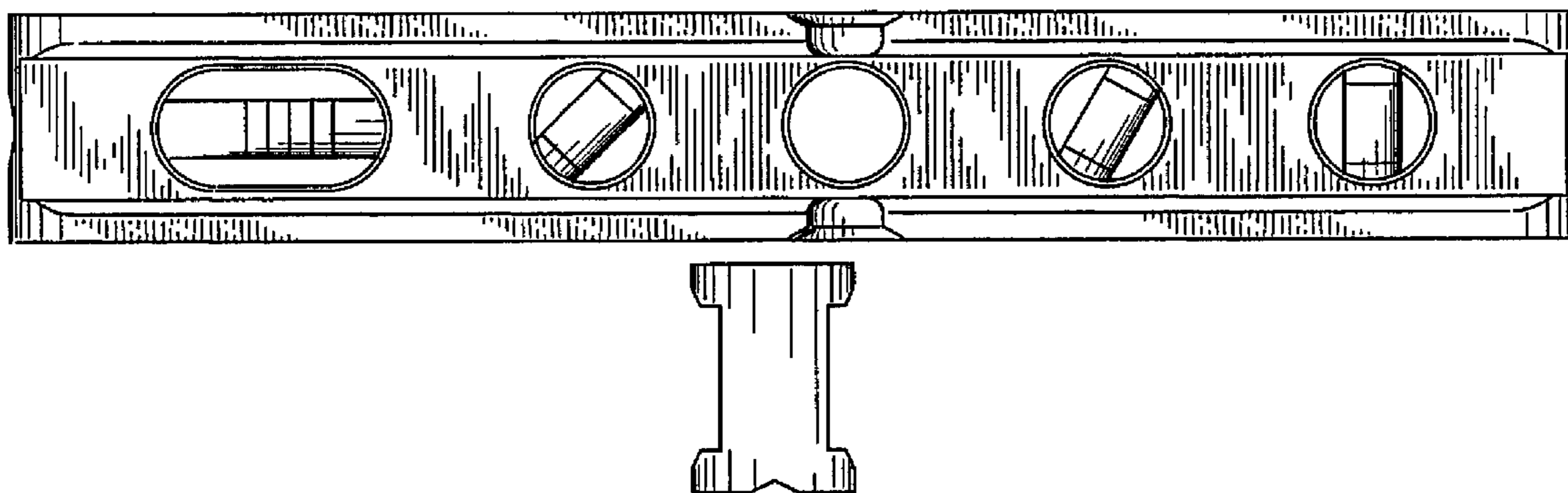
(57) **CLAIM**

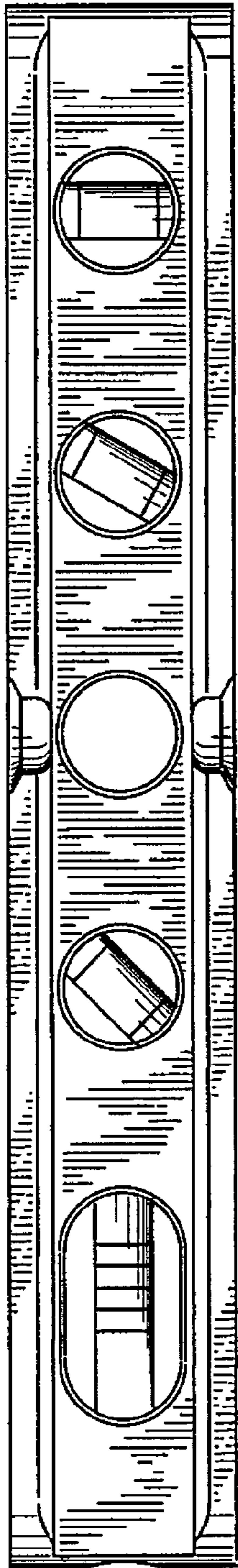
The ornamental design for a “plumber’s level”, as shown and described.

**DESCRIPTION**

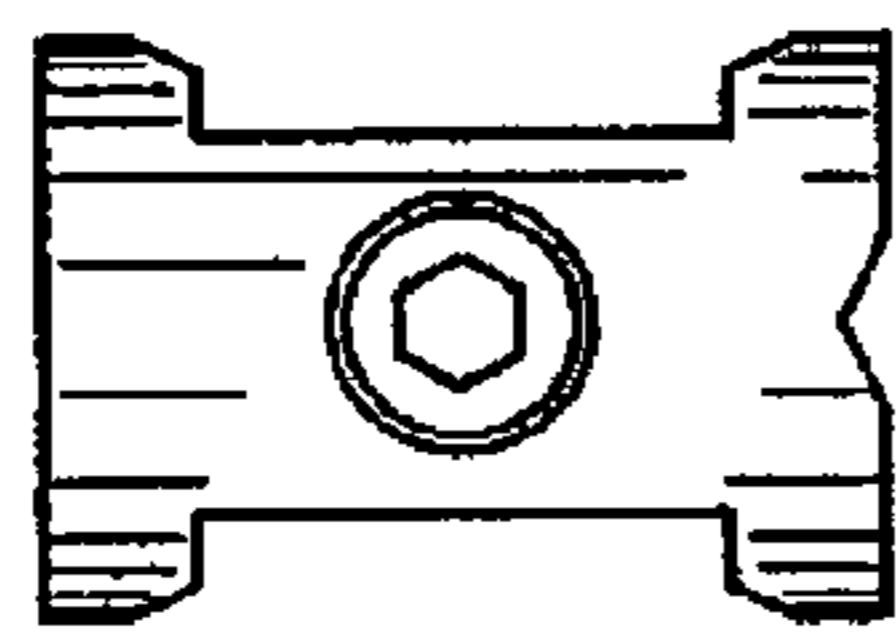
FIG. 1 is a side elevational view of a “plumber’s level” showing my new design;  
FIG. 2 is a right end view thereof;  
FIG. 3 is a left end view thereof;  
FIG. 4 is a top plan view thereof; and,  
FIG. 5 is a bottom plan view thereof.

**1 Claim, 1 Drawing Sheet**

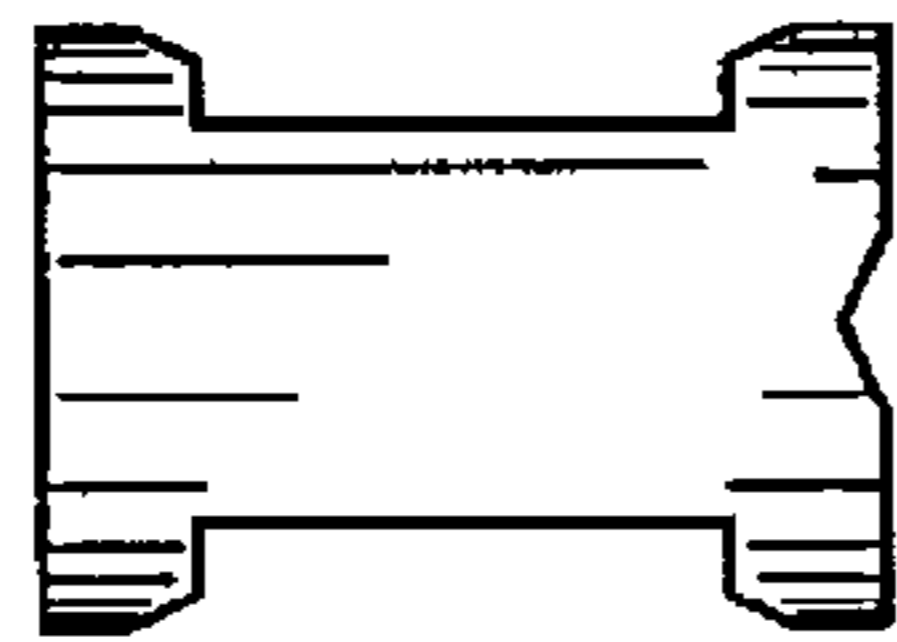




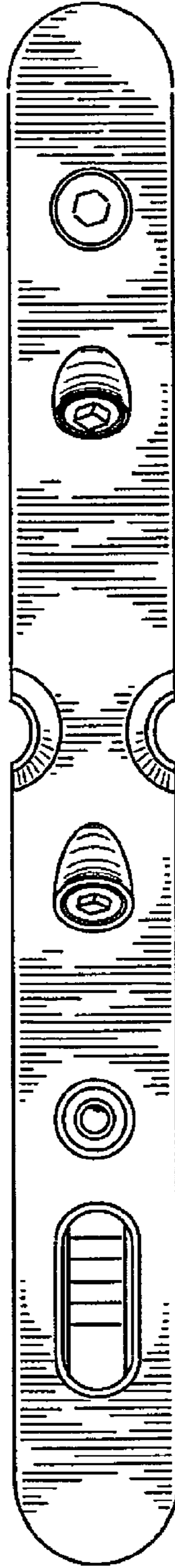
**Fig. 1**



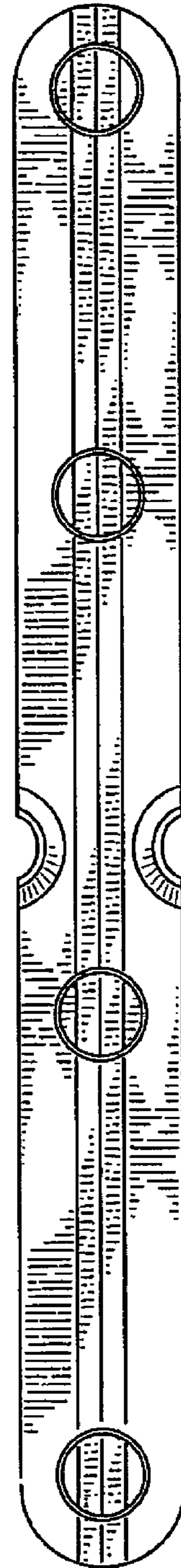
**Fig. 2**



**Fig. 3**



**Fig. 4**



**Fig. 5**