



US00D719469S

(12) **United States Design Patent**
Lane

(10) **Patent No.:** **US D719,469 S**

(45) **Date of Patent:** **** Dec. 16, 2014**

(54) **CUTTING GUIDE**

(71) Applicant: **Richard P. Lane**, Waco, TX (US)

(72) Inventor: **Richard P. Lane**, Waco, TX (US)

(**) Term: **14 Years**

(21) Appl. No.: **29/464,518**

(22) Filed: **Aug. 16, 2013**

(51) **LOC (10) Cl.** **10-04**

(52) **U.S. Cl.**
USPC **D10/65; D8/70; D15/133**

(58) **Field of Classification Search**
CPC B27B 9/04; B27B 27/06; B23Q 9/0028;
B23D 47/02
USPC D10/65; D8/70; D15/133; 83/468.4,
83/471.3, 468, 574, 522.11,
83/522.15-522.21, 581, 478
See application file for complete search history.

(56) **References Cited**

U.S. PATENT DOCUMENTS

D296,528 S * 7/1988 Down D10/64

D400,452 S * 11/1998 Schoene et al. D10/65

* cited by examiner

Primary Examiner — Antoine D Davis

(74) *Attorney, Agent, or Firm* — Jeffrey G. Degenfelder;
Carstens & Cahoon, LLP

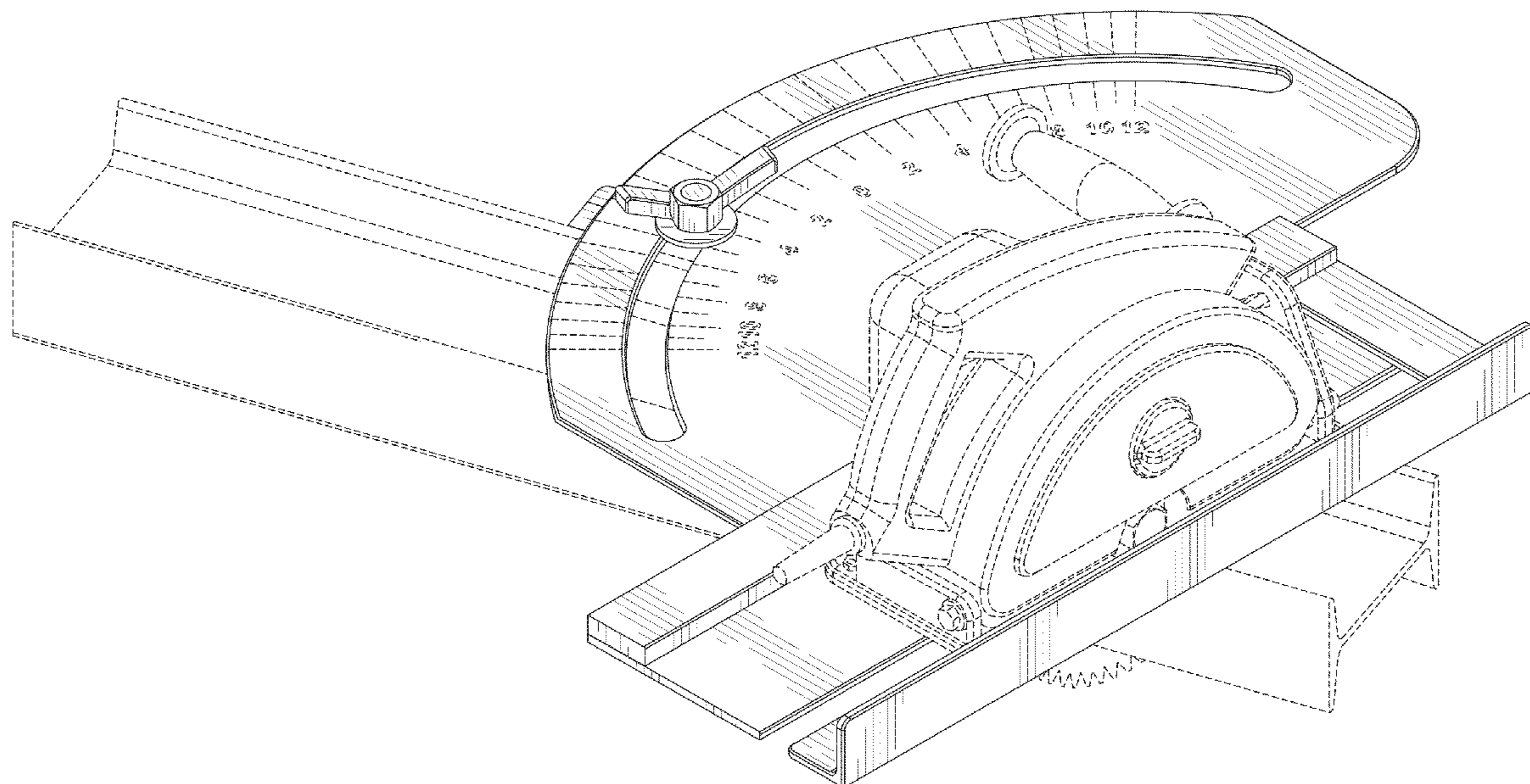
(57) **CLAIM**

The ornamental design for a cutting guide, as shown and described.

DESCRIPTION

FIG. 1 is a front top perspective view of the cutting guide of the present invention, shown with environment;
FIG. 2 is another front top perspective view thereof, shown without environment;
FIG. 3 is a reverse top perspective view thereof;
FIG. 4 is a front bottom perspective view thereof;
FIG. 5 is a rear elevation view thereof;
FIG. 6 is a top plan view thereof;
FIG. 7 is a bottom plan view thereof;
FIG. 8 is a front elevation view thereof;
FIG. 9 is a left side elevation view thereof; and,
FIG. 10 is a right side elevation view thereof.
The dashed line showing of the environment is for illustrative purposes only and forms no part of the claimed design.

1 Claim, 10 Drawing Sheets



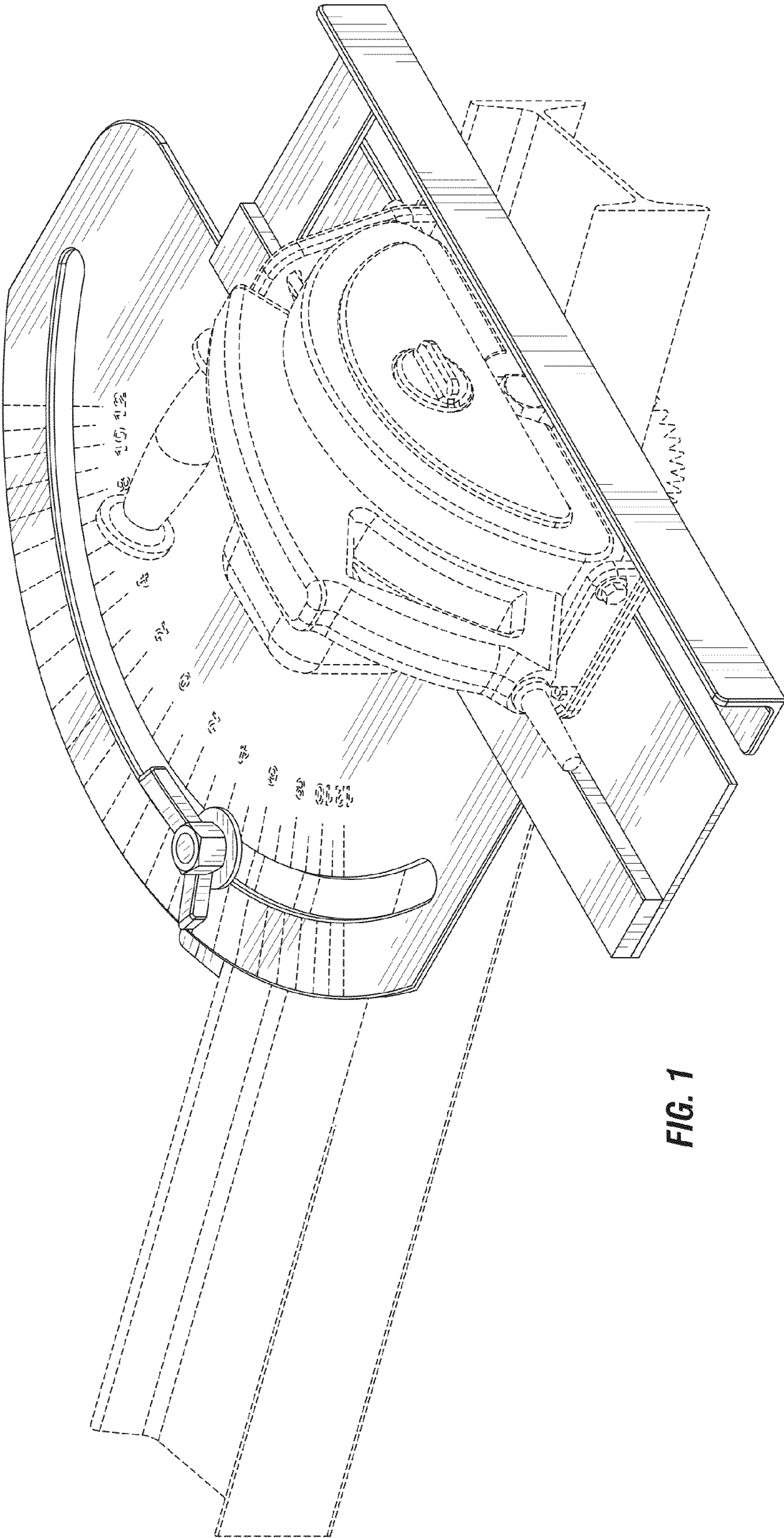


FIG. 1

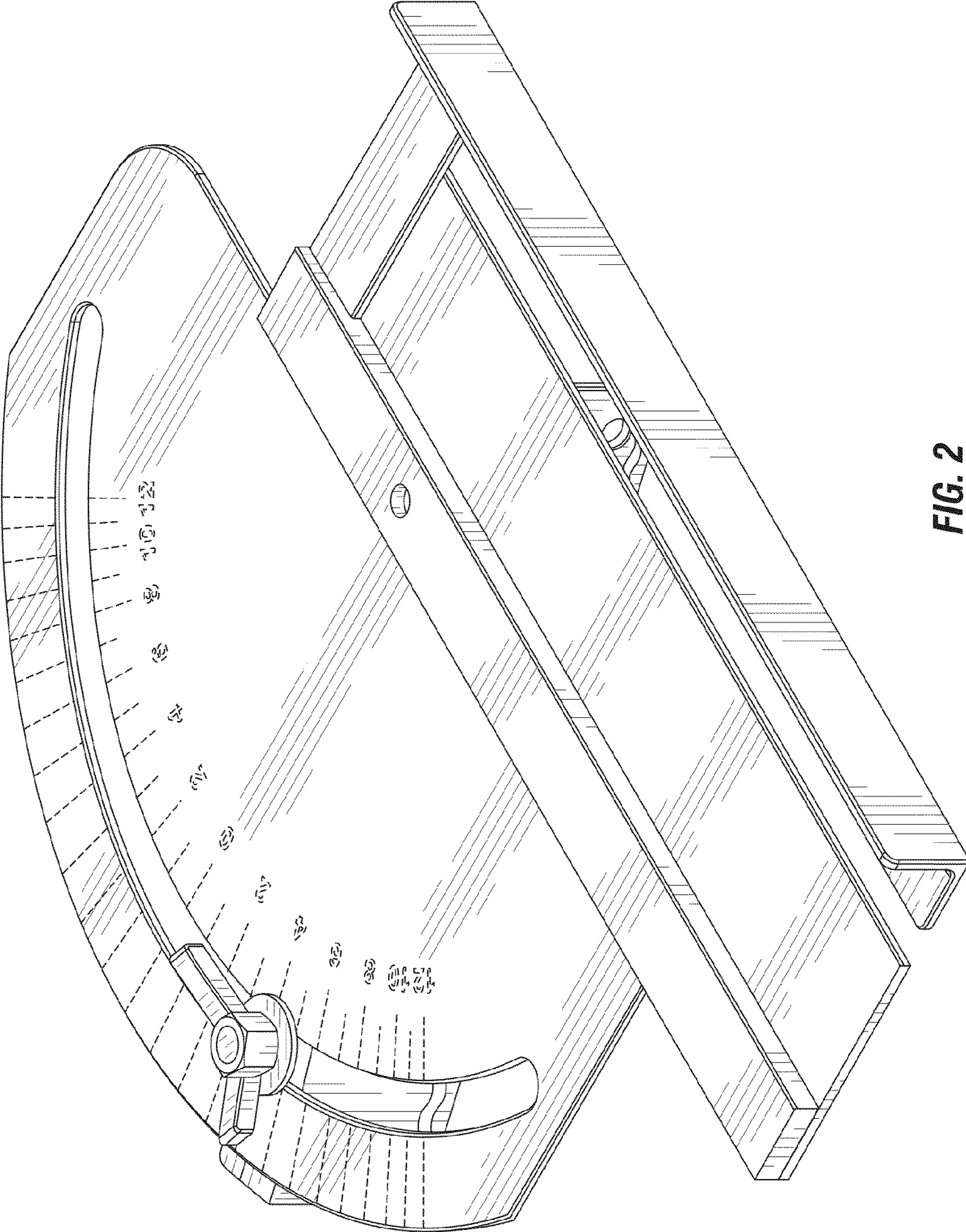


FIG. 2

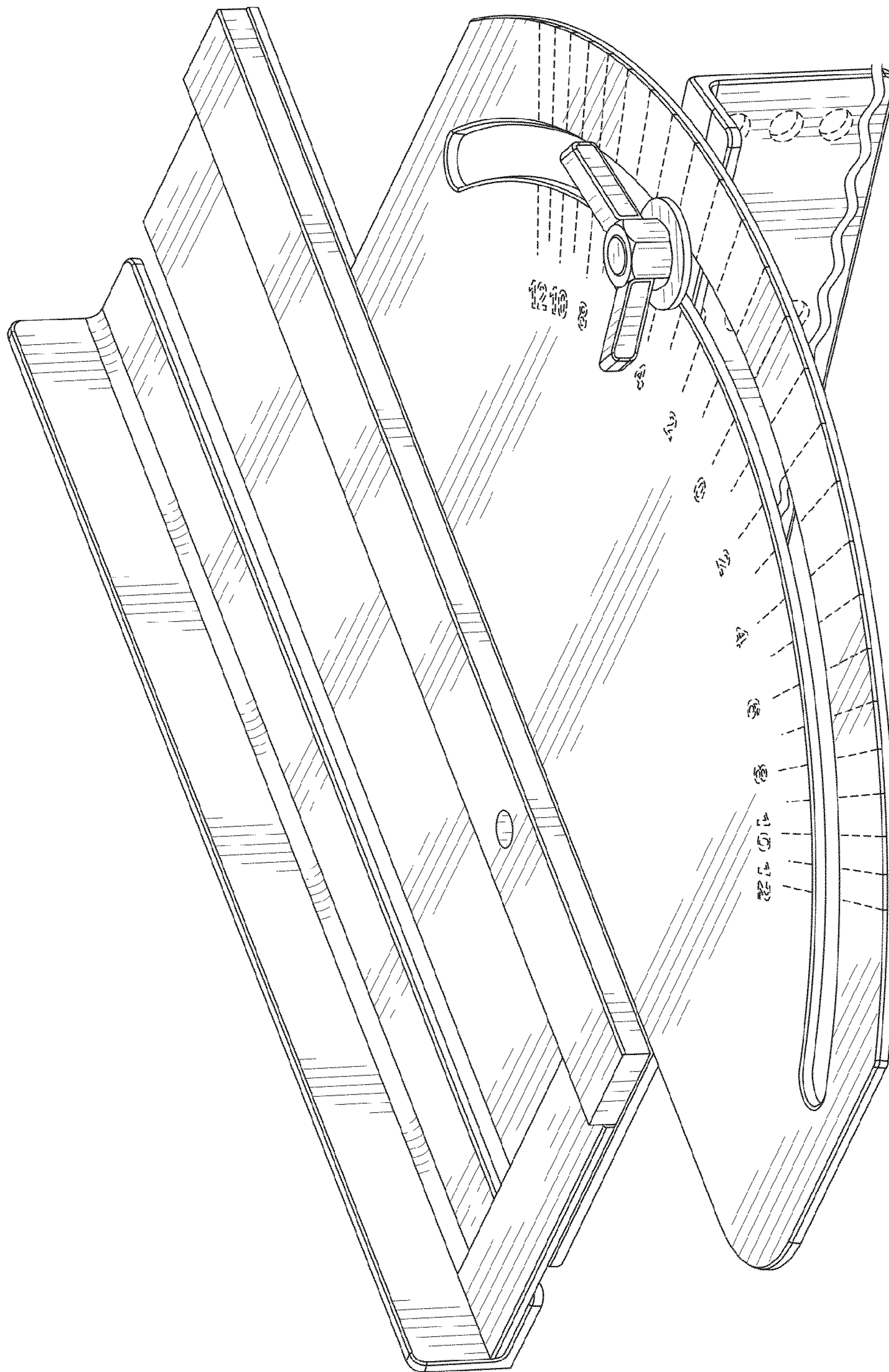


FIG. 3

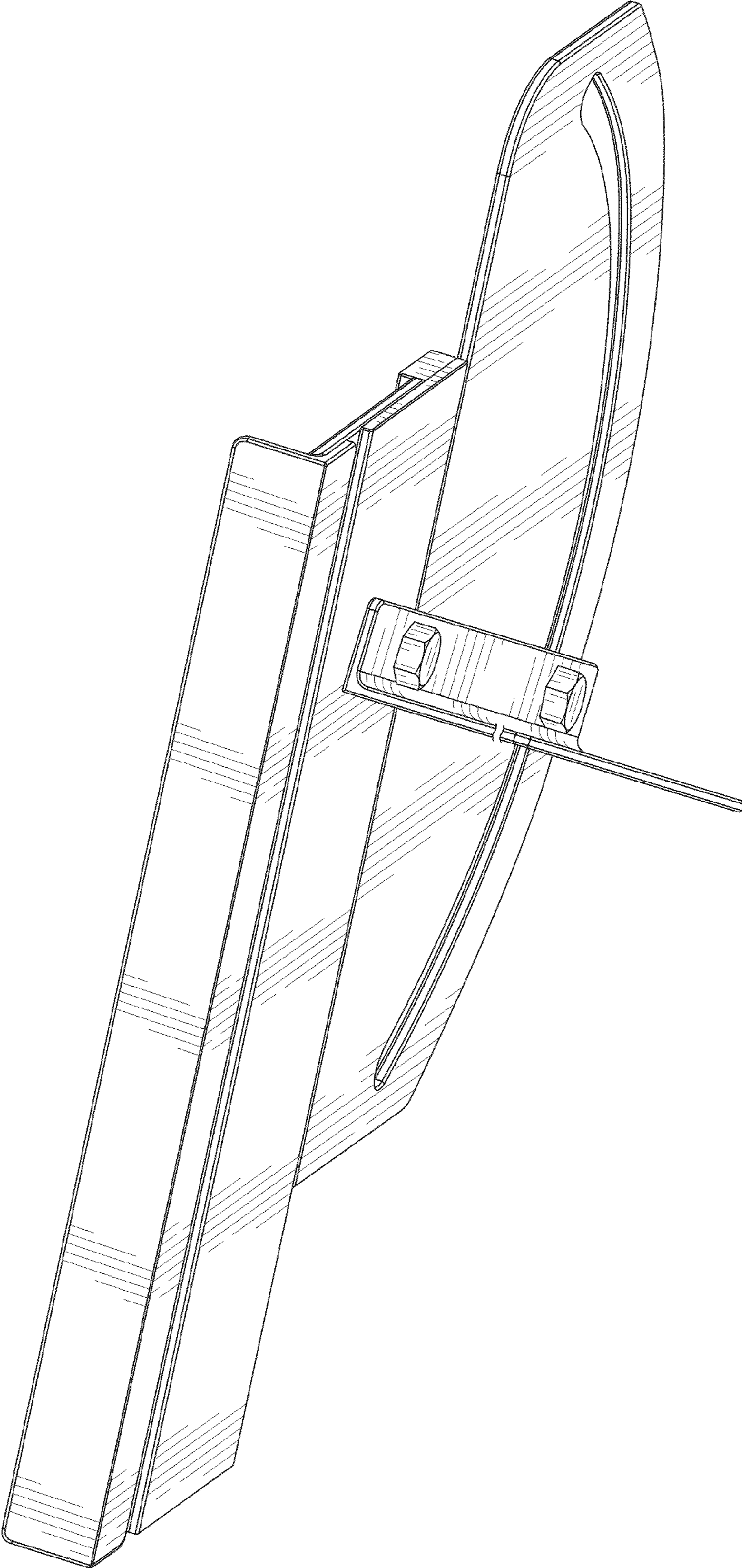


FIG. 4

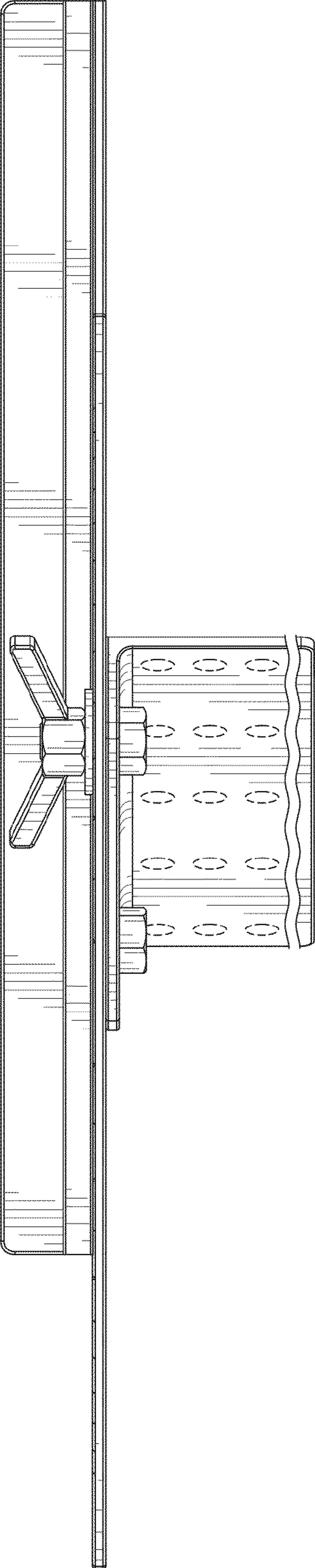


FIG. 5

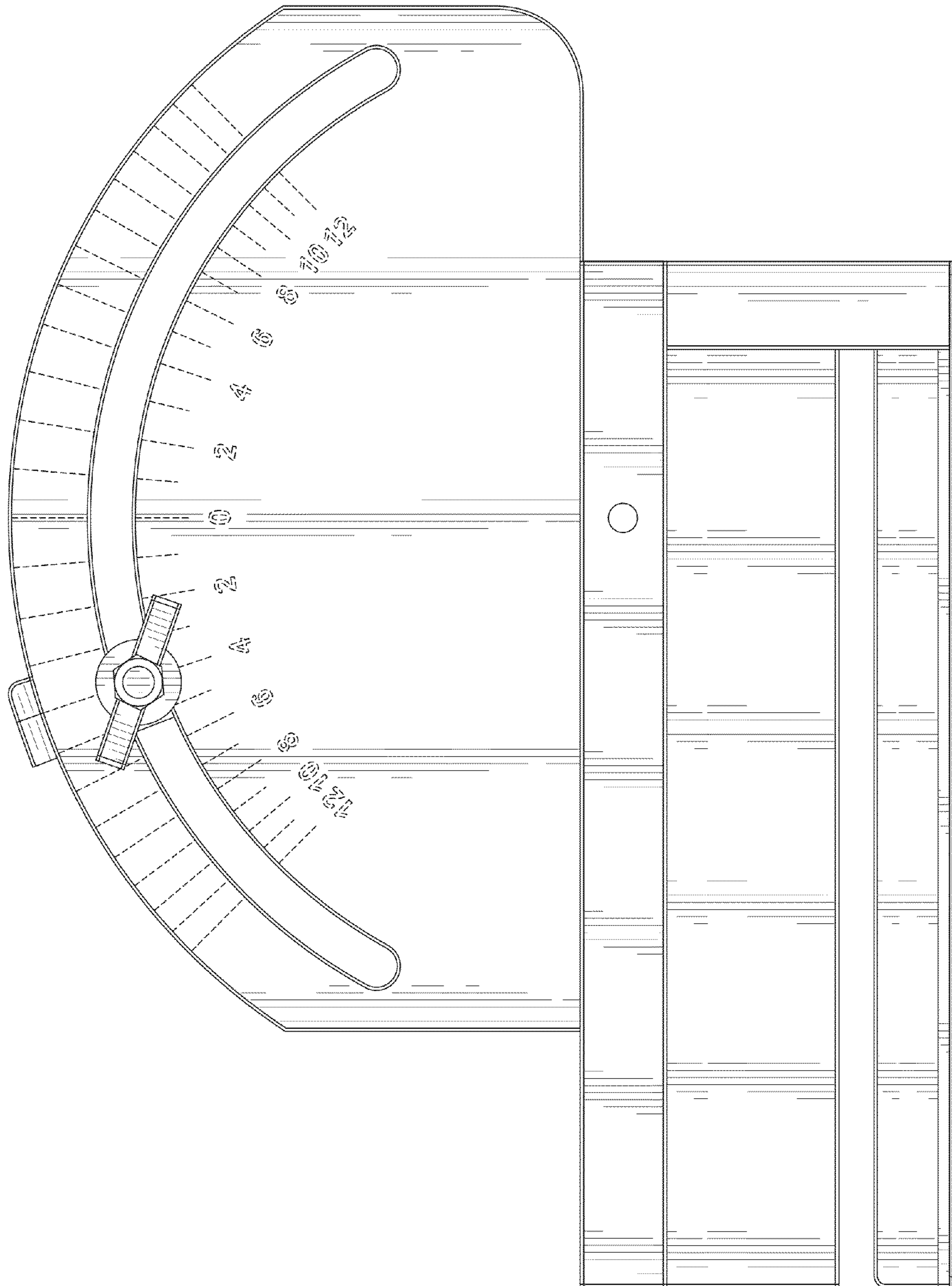


FIG. 6

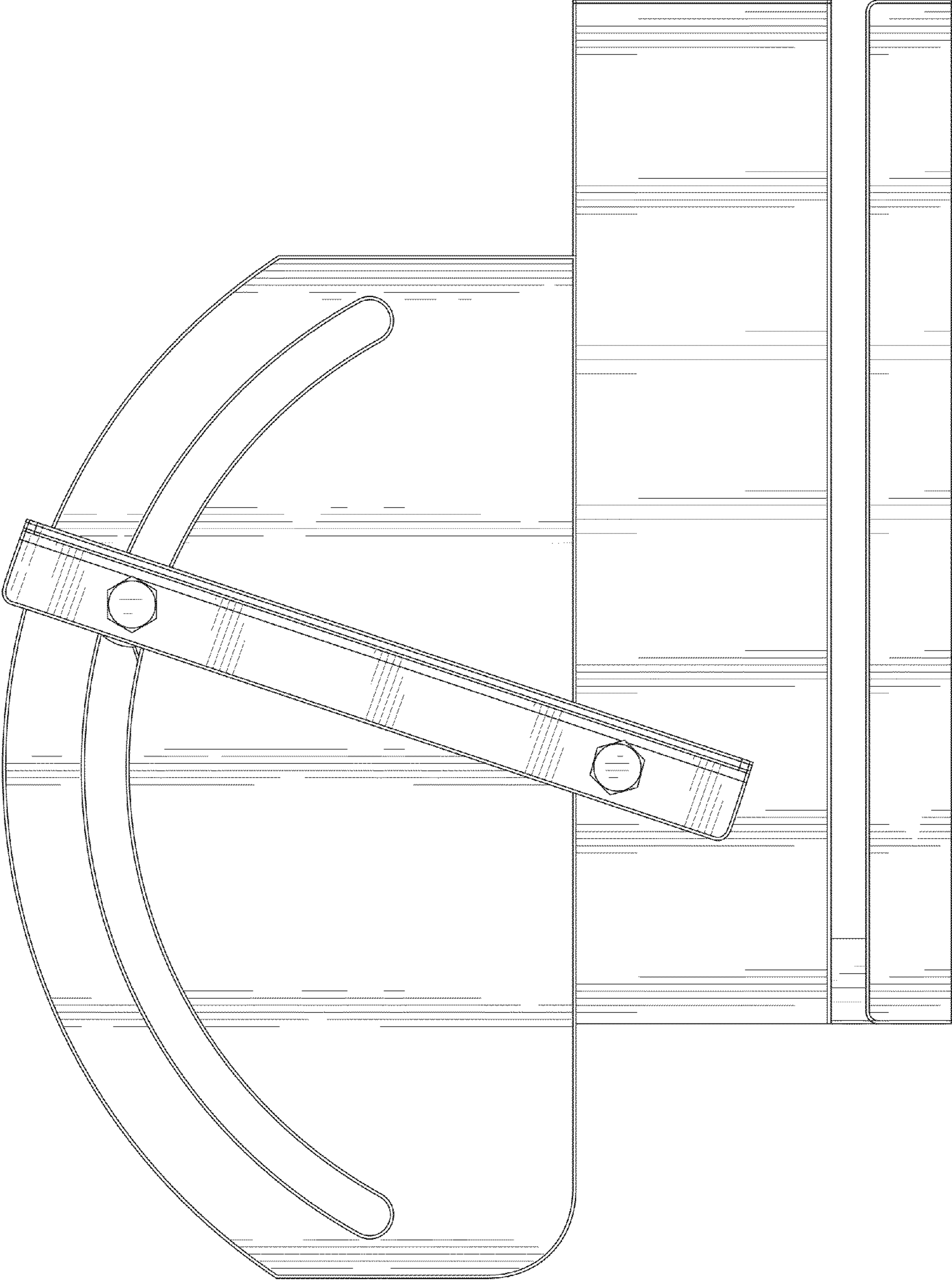


FIG. 7

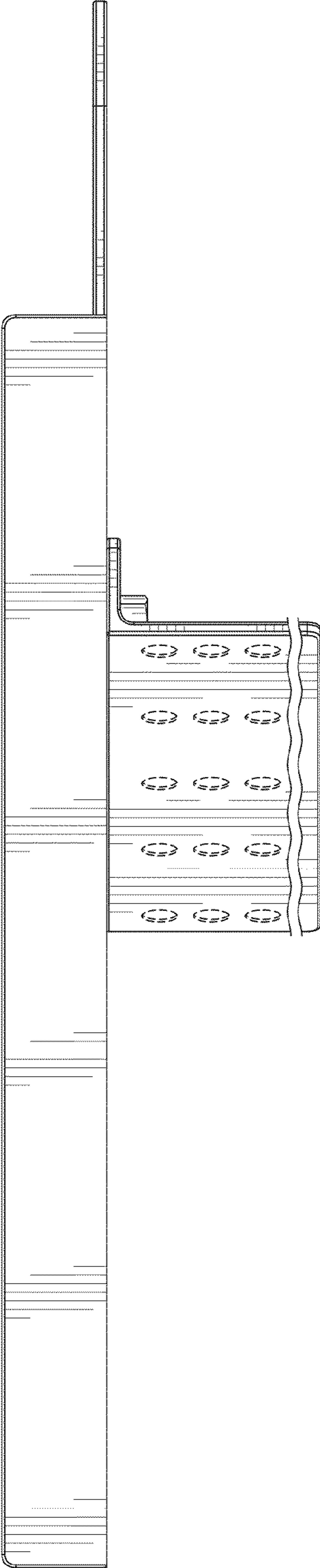


FIG. 8

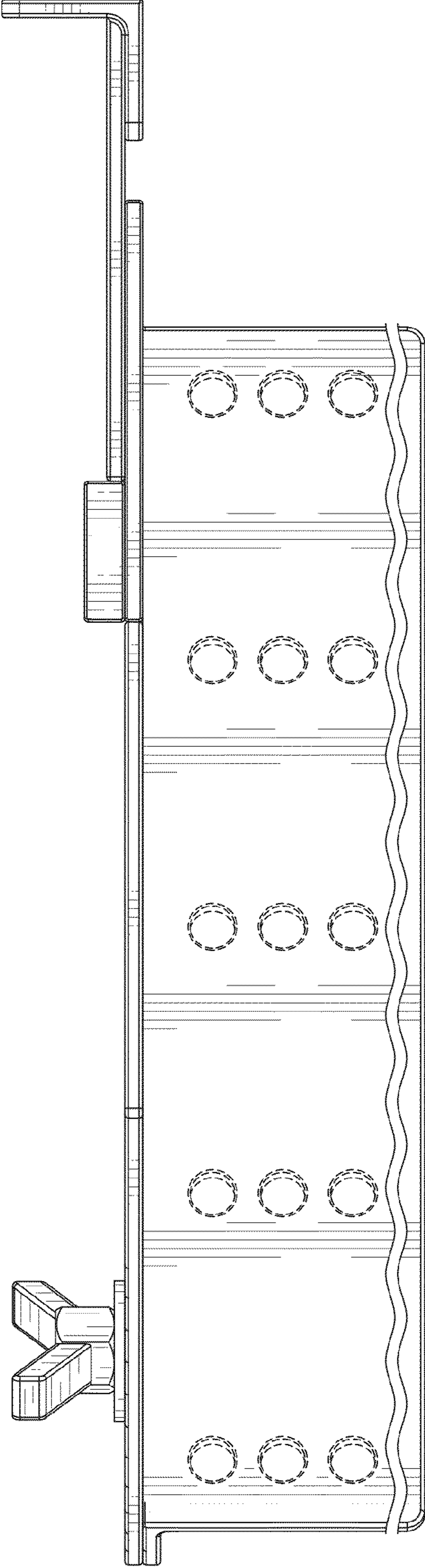


FIG. 9

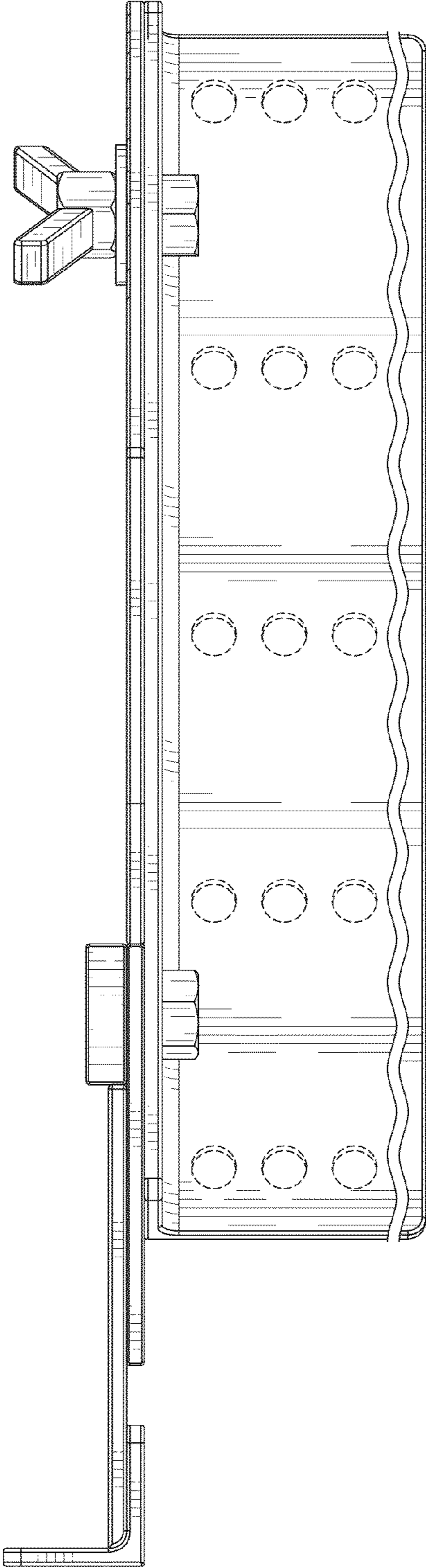


FIG. 10