



US00D719468S

(12) **United States Design Patent**  
**Barsic, Jr.**

(10) **Patent No.:** **US D719,468 S**

(45) **Date of Patent:** **\*\* Dec. 16, 2014**

(54) **WATCH**

(71) Applicant: **Richard Anthony Barsic, Jr.**, Mentor,  
OH (US)

(72) Inventor: **Richard Anthony Barsic, Jr.**, Mentor,  
OH (US)

(\*\*) Term: **14 Years**

(21) Appl. No.: **29/488,046**

(22) Filed: **Apr. 15, 2014**

(51) **LOC (10) Cl.** ..... **10-02**

(52) **U.S. Cl.**  
USPC ..... **D10/32**

(58) **Field of Classification Search**  
USPC ..... D10/30-39; D11/3, 4, 5; 368/276, 281,  
368/282, 285  
See application file for complete search history.

(56) **References Cited**

**U.S. PATENT DOCUMENTS**

D10,026 S *	5/1877	Sternheimer	.....	D11/5
D78,958 S *	7/1929	Wewetzer	.....	D10/32
2,189,096 A *	2/1940	Alonge	.....	224/170
D126,086 S *	3/1941	Bayan	.....	D11/3
D267,788 S *	2/1983	Bulgari	.....	D11/5
D277,171 S *	1/1985	Bulgari	.....	D11/3
D315,514 S *	3/1991	Weil	.....	D10/32
D327,439 S *	6/1992	Bulgari	.....	D10/32
5,418,760 A *	5/1995	Kawashima et al.	.....	368/69
D390,477 S *	2/1998	Brzezinski	.....	D10/32
D413,531 S *	9/1999	Philippe	.....	D10/32
D430,495 S *	9/2000	Wunderman	.....	D10/32
D431,783 S *	10/2000	Lassigne	.....	D10/32

D431,785 S *	10/2000	Tavenas	.....	D10/32
D432,437 S *	10/2000	Lassigne	.....	D10/32
D432,439 S *	10/2000	Lassigne	.....	D10/32
D454,799 S *	3/2002	Wa	.....	D10/30
D466,487 S *	12/2002	Wada et al.	.....	D14/138 R
6,883,961 B1 *	4/2005	Ray	.....	368/281
D537,739 S *	3/2007	Lassigne	.....	D10/32
D544,801 S *	6/2007	Hardy	.....	D10/32
D565,427 S *	4/2008	Ellner et al.	.....	D10/31
D568,177 S *	5/2008	Lassigne	.....	D10/32
D570,711 S *	6/2008	Dorsz	.....	D10/32
D592,079 S *	5/2009	Yurman	.....	D10/32
D620,813 S *	8/2010	Hayek et al.	.....	D10/32
D632,191 S *	2/2011	Jorst et al.	.....	D10/32
D703,069 S *	4/2014	Adams et al.	.....	D10/31
2003/0151980 A1 *	8/2003	Farash	.....	368/21

\* cited by examiner

*Primary Examiner* — Lucy Lieberman

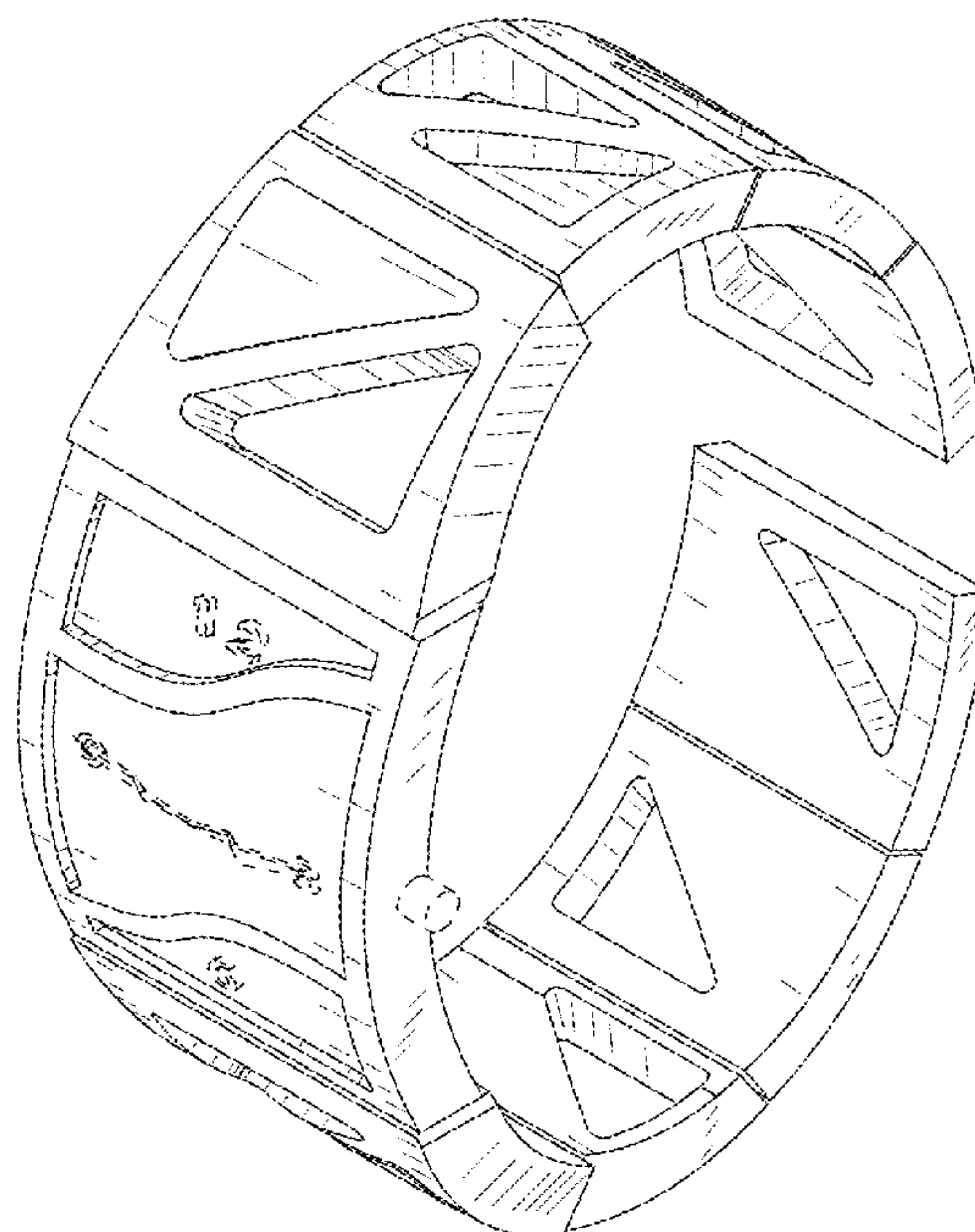
(57) **CLAIM**

The ornamental design for a watch, as shown and described.

**DESCRIPTION**

FIG. 1 is a front elevational view thereof;  
 FIG. 2 is a rear elevational view thereof;  
 FIG. 3 is a left side elevational view thereof;  
 FIG. 4 is a right side elevational view thereof;  
 FIG. 5 is a top plan view thereof;  
 FIG. 6 is a bottom plan view thereof;  
 FIG. 7 is a perspective view thereof; and,  
 FIG. 8 is a rear perspective view thereof.  
 The broken line showing is included for the purpose of illustrating environmental structure and forms no part of the claimed design.

**1 Claim, 8 Drawing Sheets**



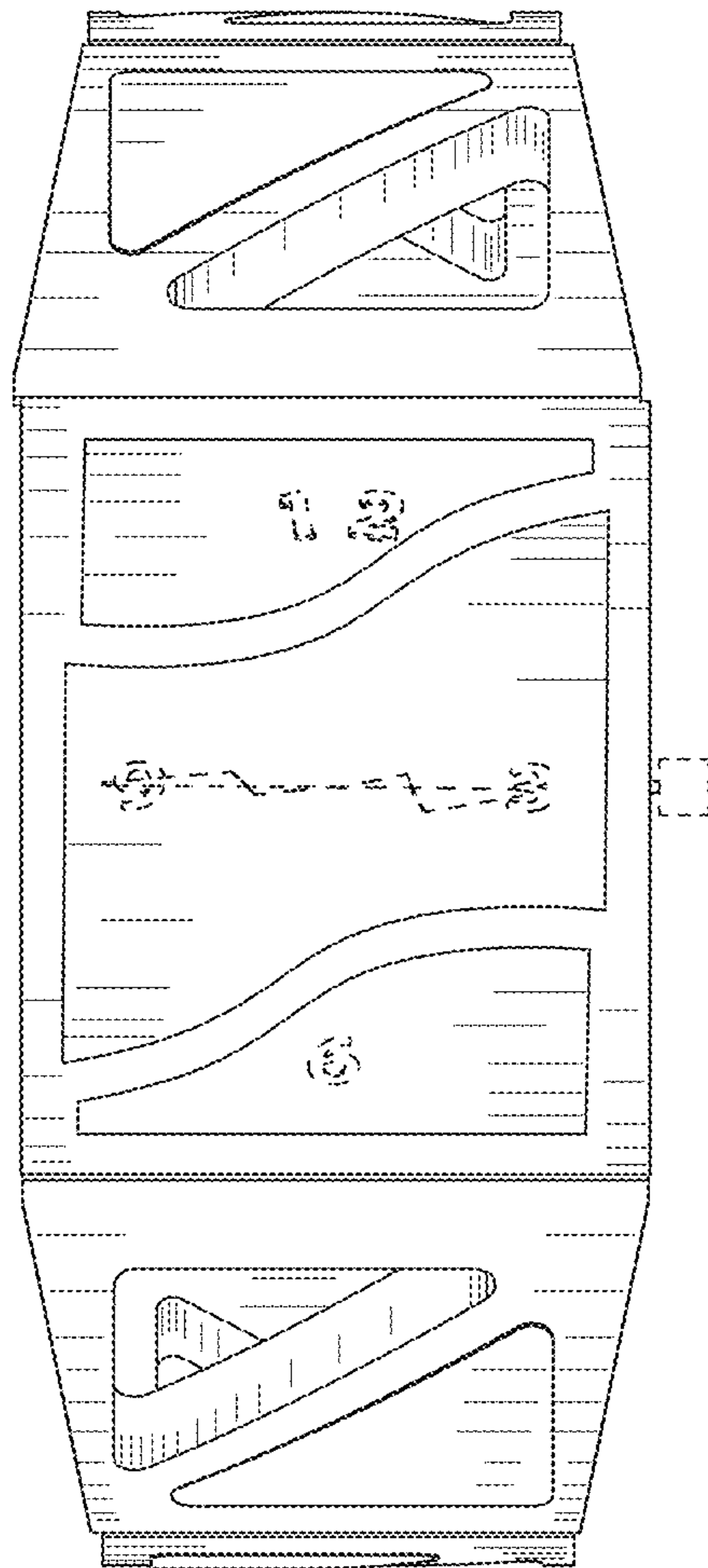


FIG. 1

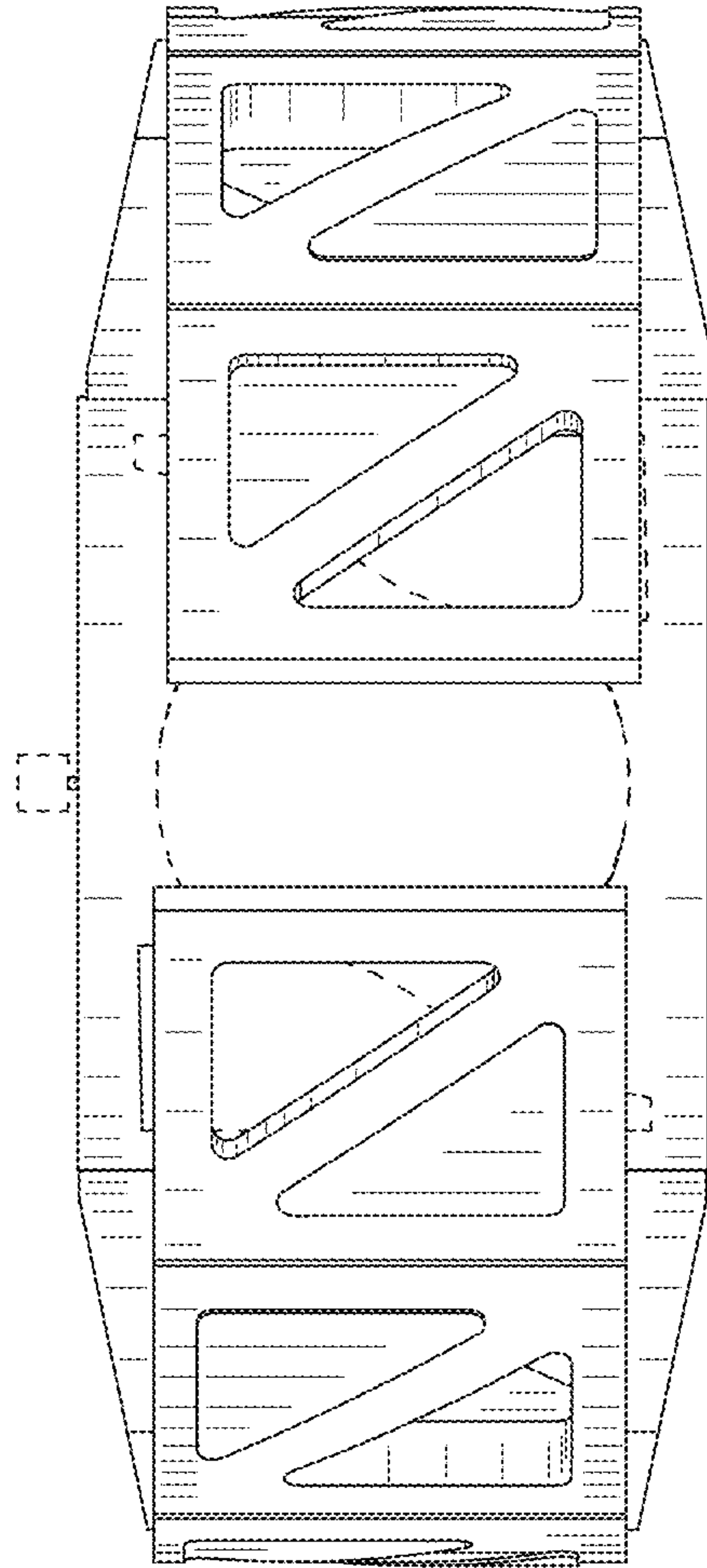


FIG. 2

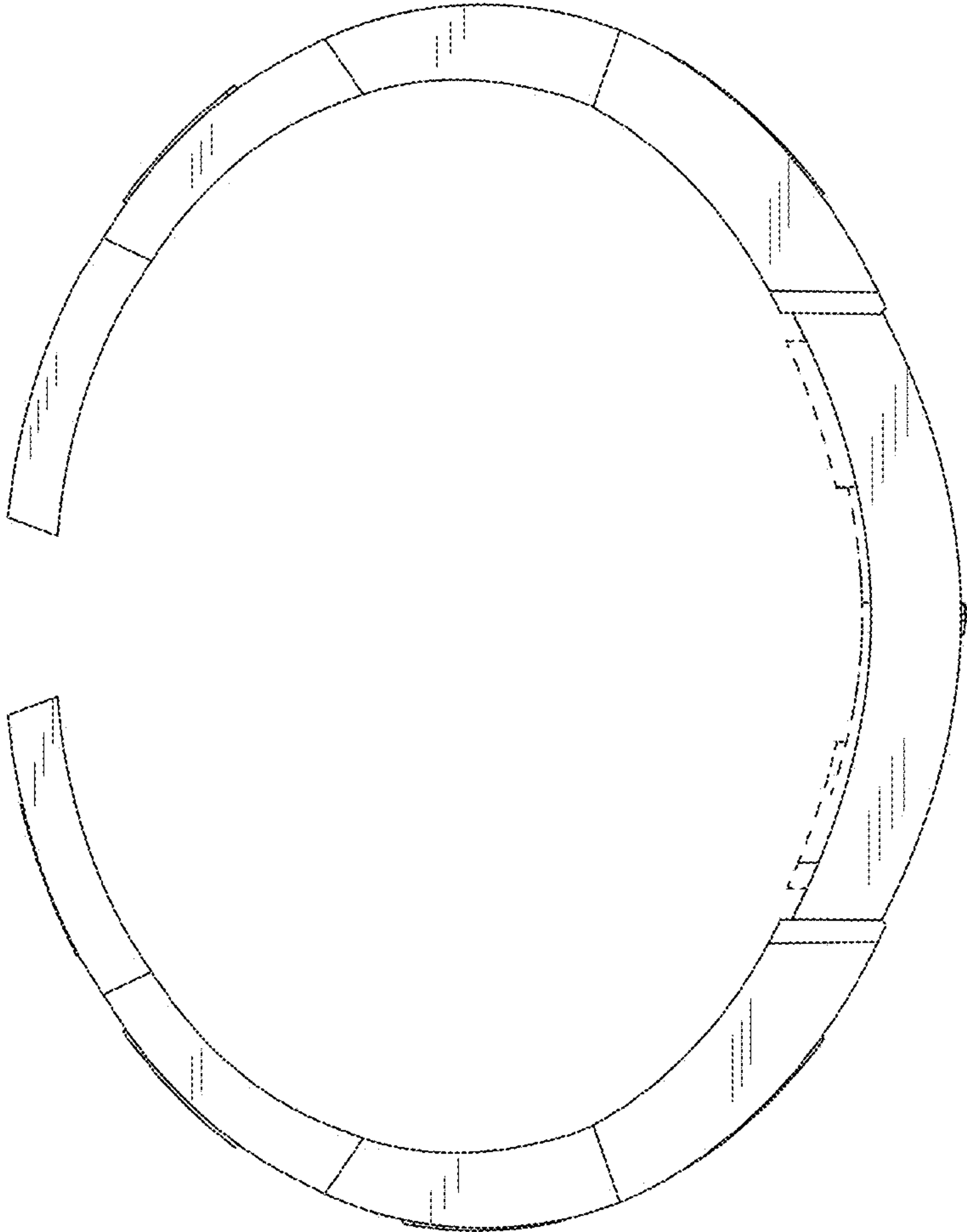


FIG. 3

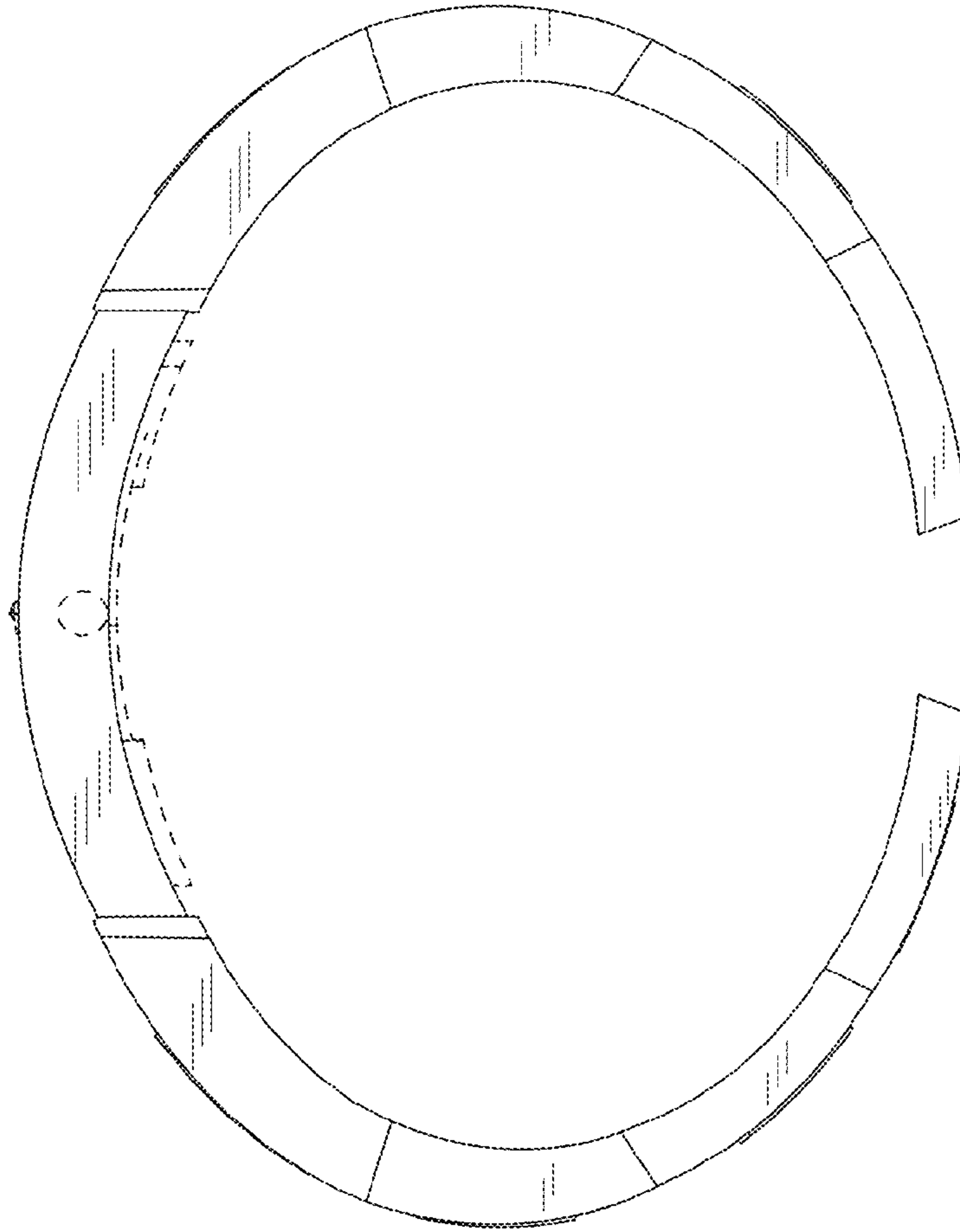


FIG. 4

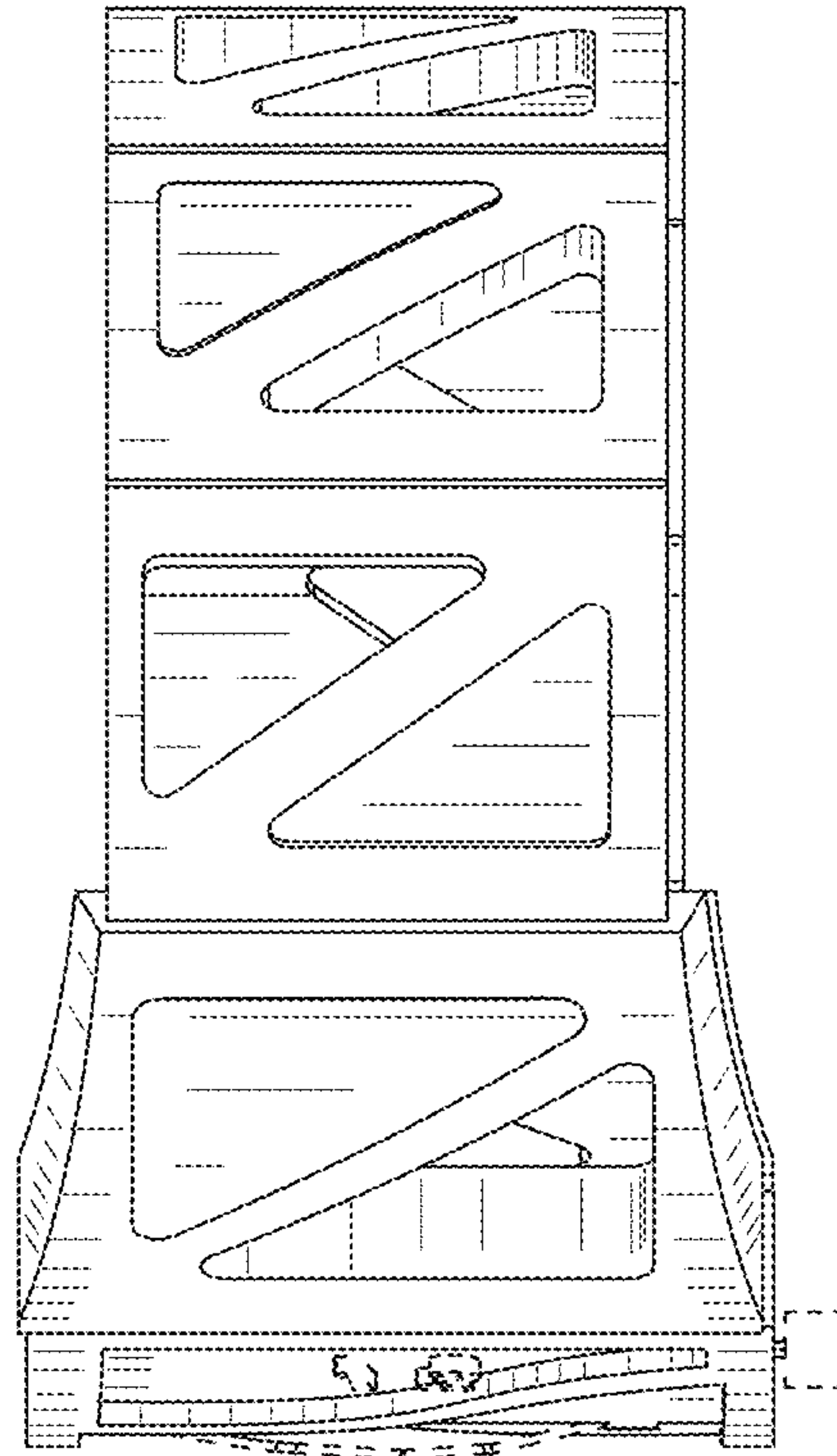


FIG. 5



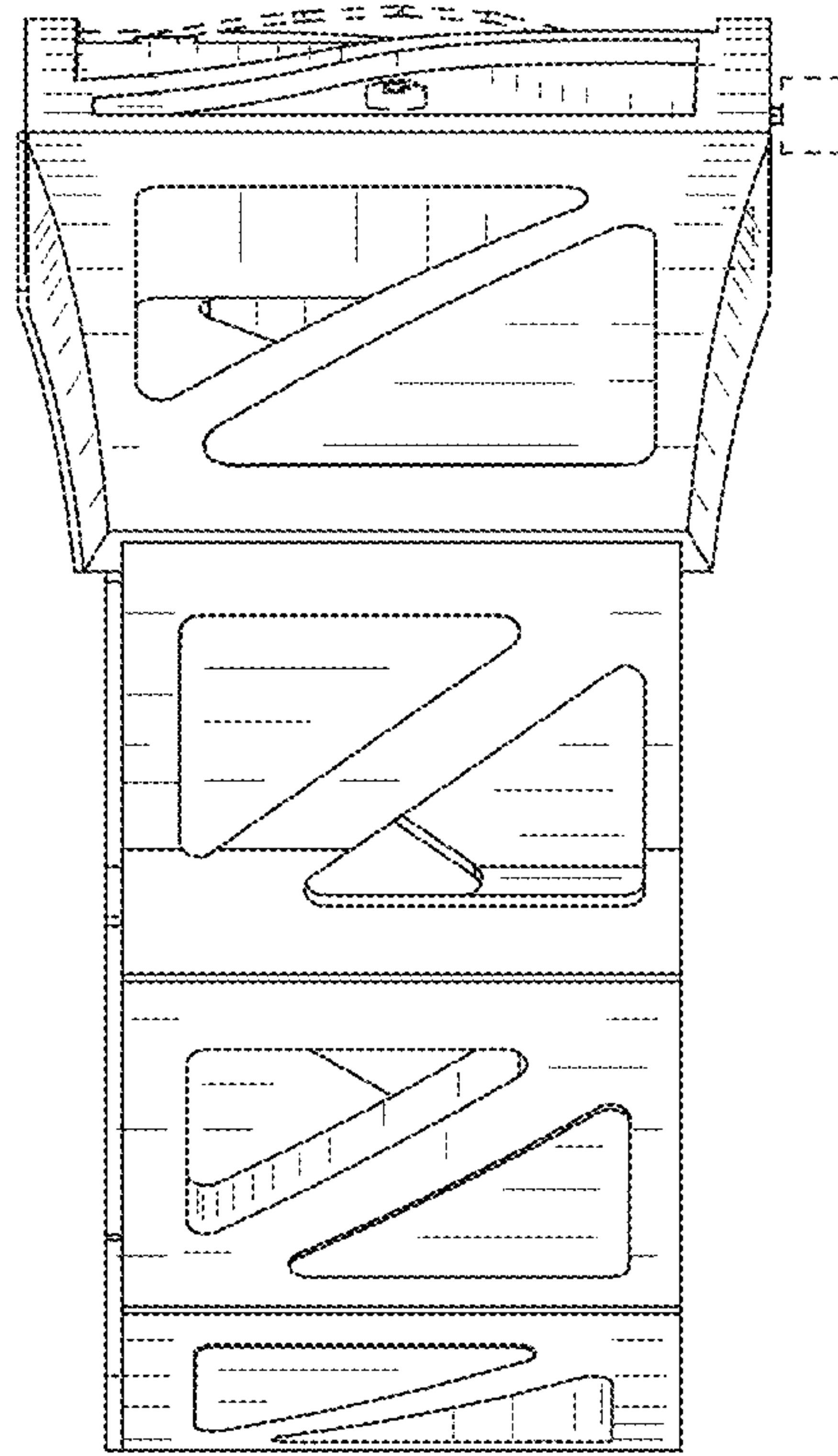


FIG. 6

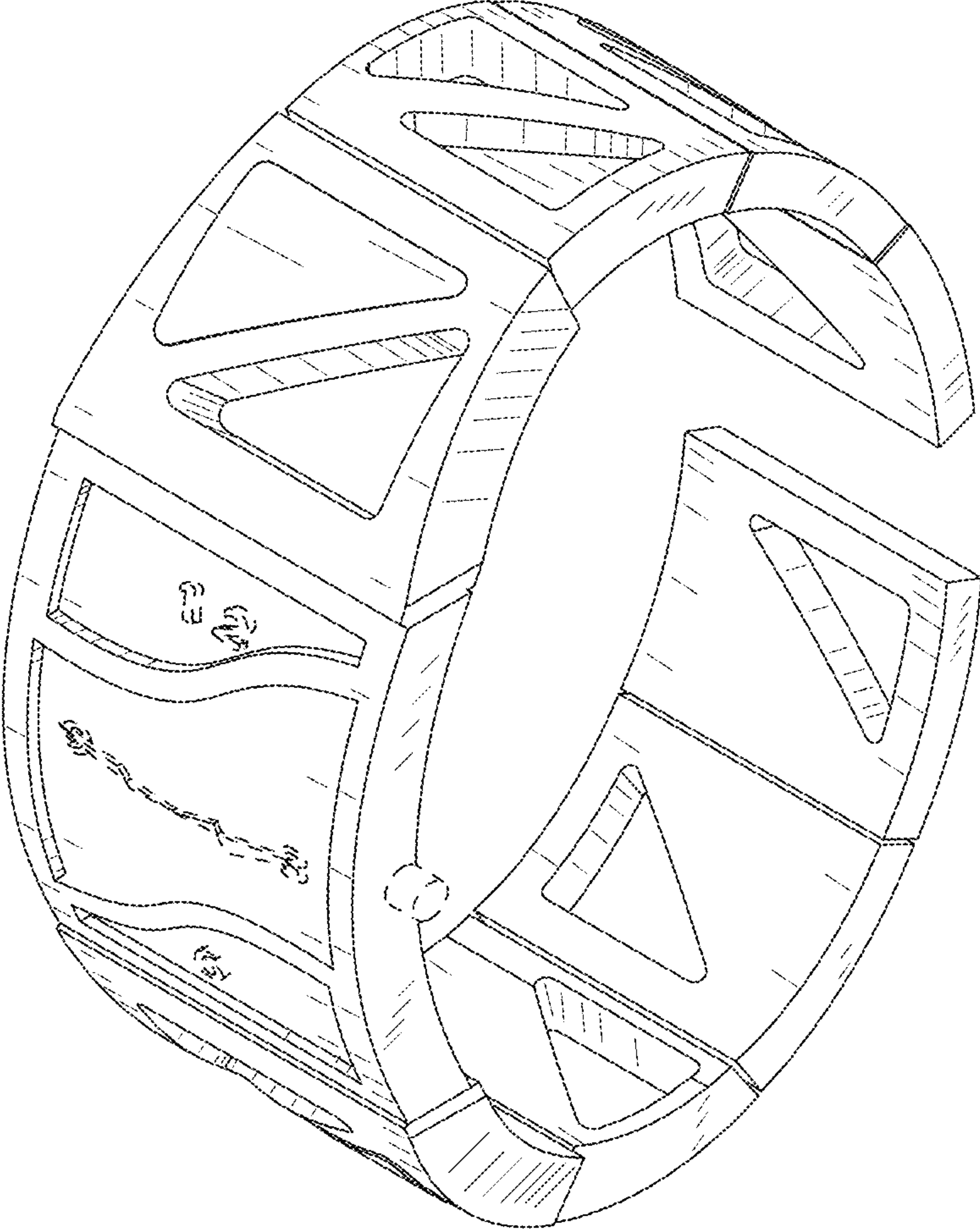


FIG. 7



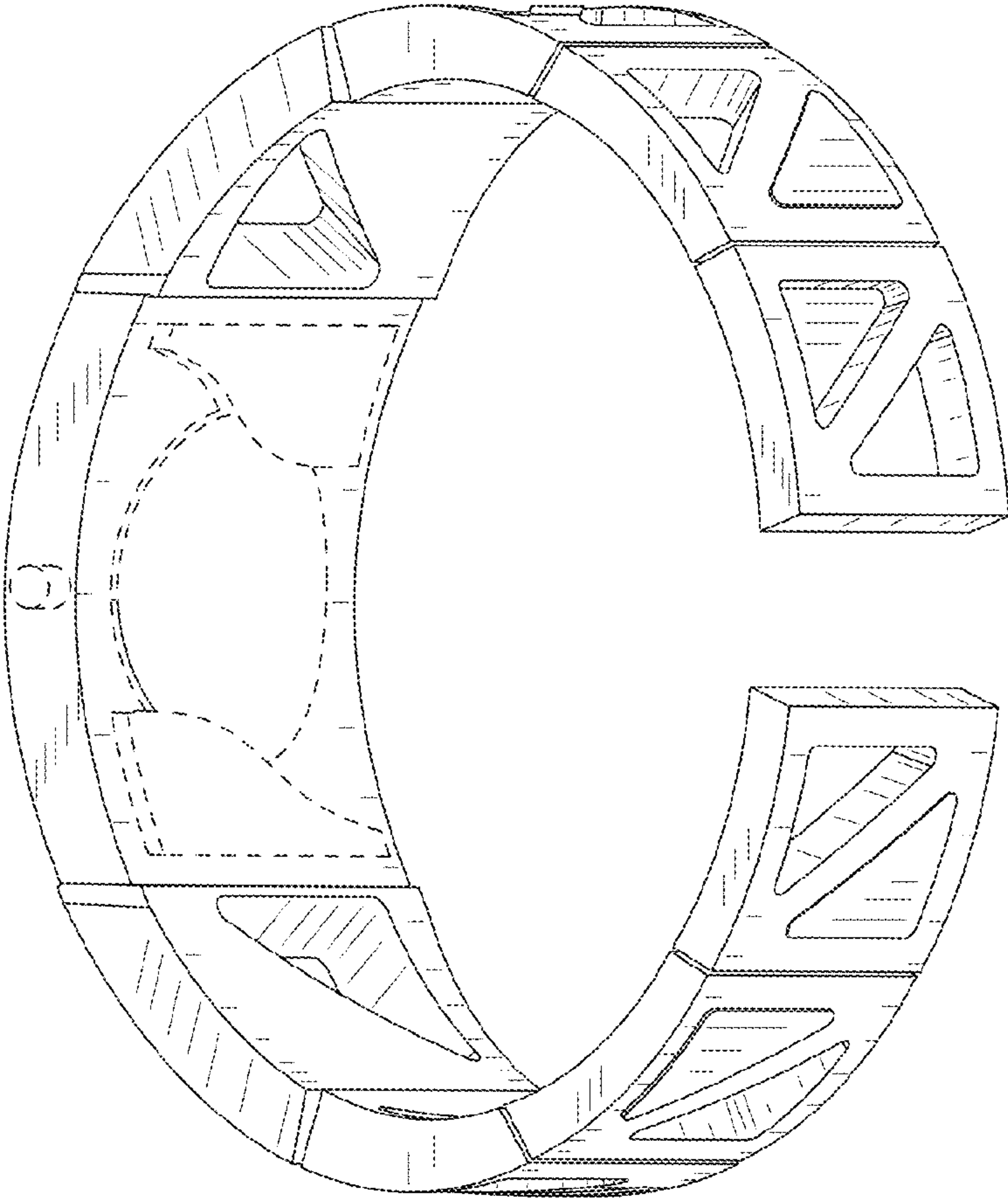


FIG. 8