



US00D719467S

(12) **United States Design Patent**
Bradbury

(10) **Patent No.:** **US D719,467 S**

(45) **Date of Patent:** **** Dec. 16, 2014**

(54) **WRIST WATCH**

(71) Applicant: **Nixon, Inc.**, Encinitas, CA (US)

(72) Inventor: **Myfanwy Bradbury**, Queensland (AU)

(73) Assignee: **Nixon Investments, LLC**, Encinitas, CA (US)

(**) Term: **14 Years**

(21) Appl. No.: **29/471,169**

(22) Filed: **Oct. 29, 2013**

(51) **LOC (10) CL.** **10-02**

(52) **U.S. Cl.**
USPC **D10/32**

(58) **Field of Classification Search**
USPC D10/30-39; 368/276, 281, 282, 285;
D11/3; 224/164, 175
See application file for complete search history.

(56) **References Cited**

U.S. PATENT DOCUMENTS

D78,487 S *	5/1929	Schwab	D10/39
D241,126 S *	8/1976	Lawrence	D10/38
D248,219 S *	6/1978	Porsche	D10/32
4,548,514 A *	10/1985	Ganter	368/291
D287,470 S *	12/1986	Houlihan	D10/30
5,244,134 A *	9/1993	Riley	224/164
D351,798 S *	10/1994	Yamamoto	D10/32
D382,828 S *	8/1997	Houlihan	D11/3
D391,501 S *	3/1998	Giardiello	D10/39
D394,214 S *	5/1998	Sang	D10/30
D394,817 S *	6/1998	Roales	D10/38
D410,199 S *	5/1999	Calvani	D10/39
6,234,668 B1 *	5/2001	Cooper	368/281
D488,075 S *	4/2004	Bertucci	D10/30

D496,291 S *	9/2004	Walsh, III	D10/32
D559,123 S *	1/2008	Modolo	D10/32
D566,585 S *	4/2008	Belamich	D10/39
7,441,946 B2 *	10/2008	Bonadei	368/282
D622,164 S *	8/2010	Mikkelsen	D10/32
D624,442 S *	9/2010	Clerc	D10/38
D631,373 S *	1/2011	Mikkelsen	D10/32
D634,652 S *	3/2011	Jorst et al.	D10/39
D656,044 S *	3/2012	Favre	D10/38
D672,255 S *	12/2012	Zanella et al.	D10/32
D691,493 S *	10/2013	Duport	D10/32
D697,822 S *	1/2014	Duport	D10/32

OTHER PUBLICATIONS

Time Teller P Design, "The Elvin", Nixon, Inc. (2006).

* cited by examiner

Primary Examiner — Lucy Lieberman

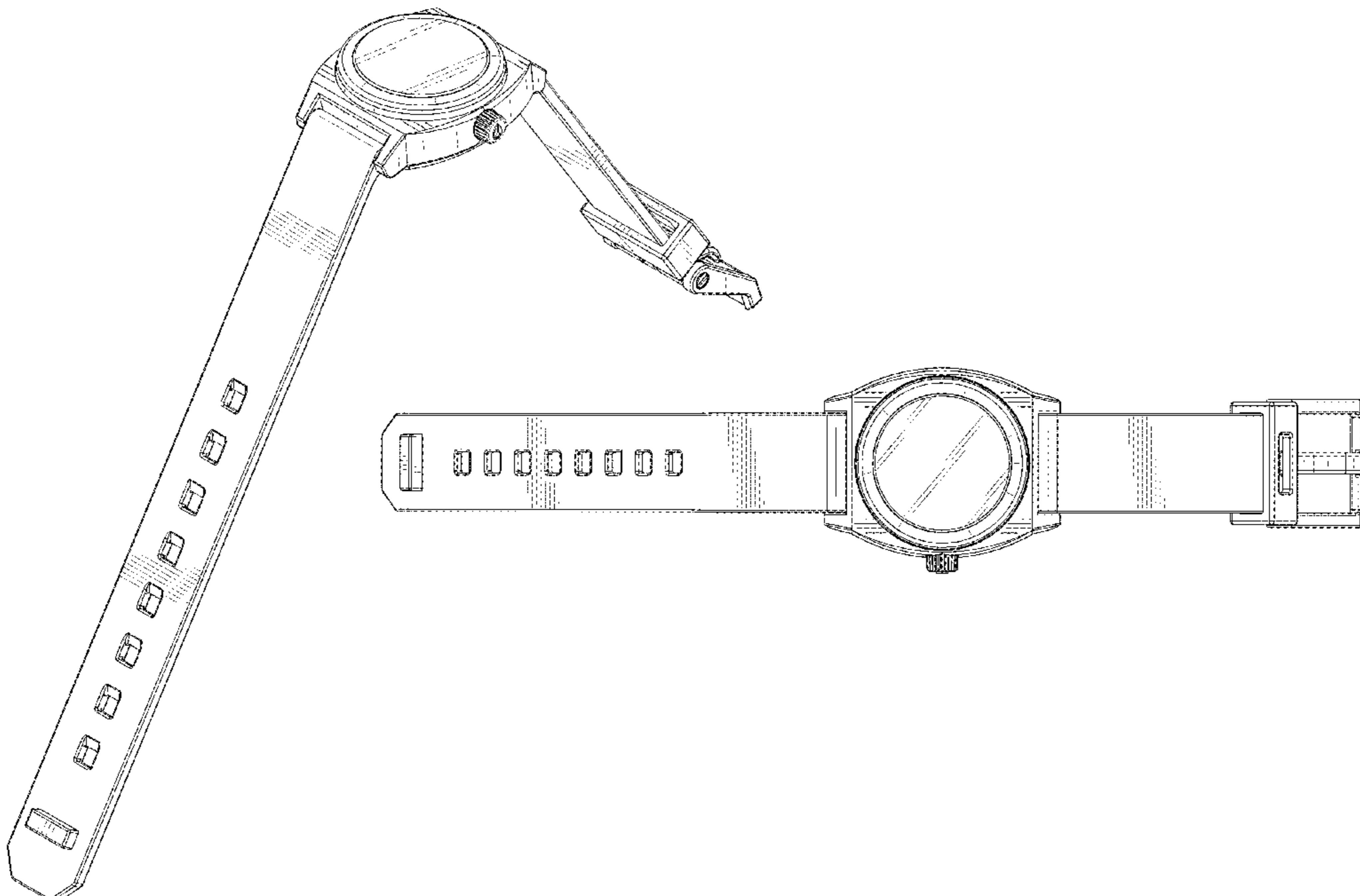
(57) **CLAIM**

The ornamental design for a "wrist watch," as shown and described.

DESCRIPTION

FIGS. 1 is a top front perspective view of a wrist watch, showing my new design thereof;
FIG. 2 is a top view thereof;
FIG. 3 is a bottom view thereof;
FIG. 4 is a right side view thereof;
FIG. 5 is a left side view thereof;
FIG. 6 is a top rear perspective view thereof; and,
FIG. 7 is a bottom right perspective view thereof.
The dashed lines in the drawings show structural elements in the environment of the design but do not form a part of the design.

1 Claim, 6 Drawing Sheets



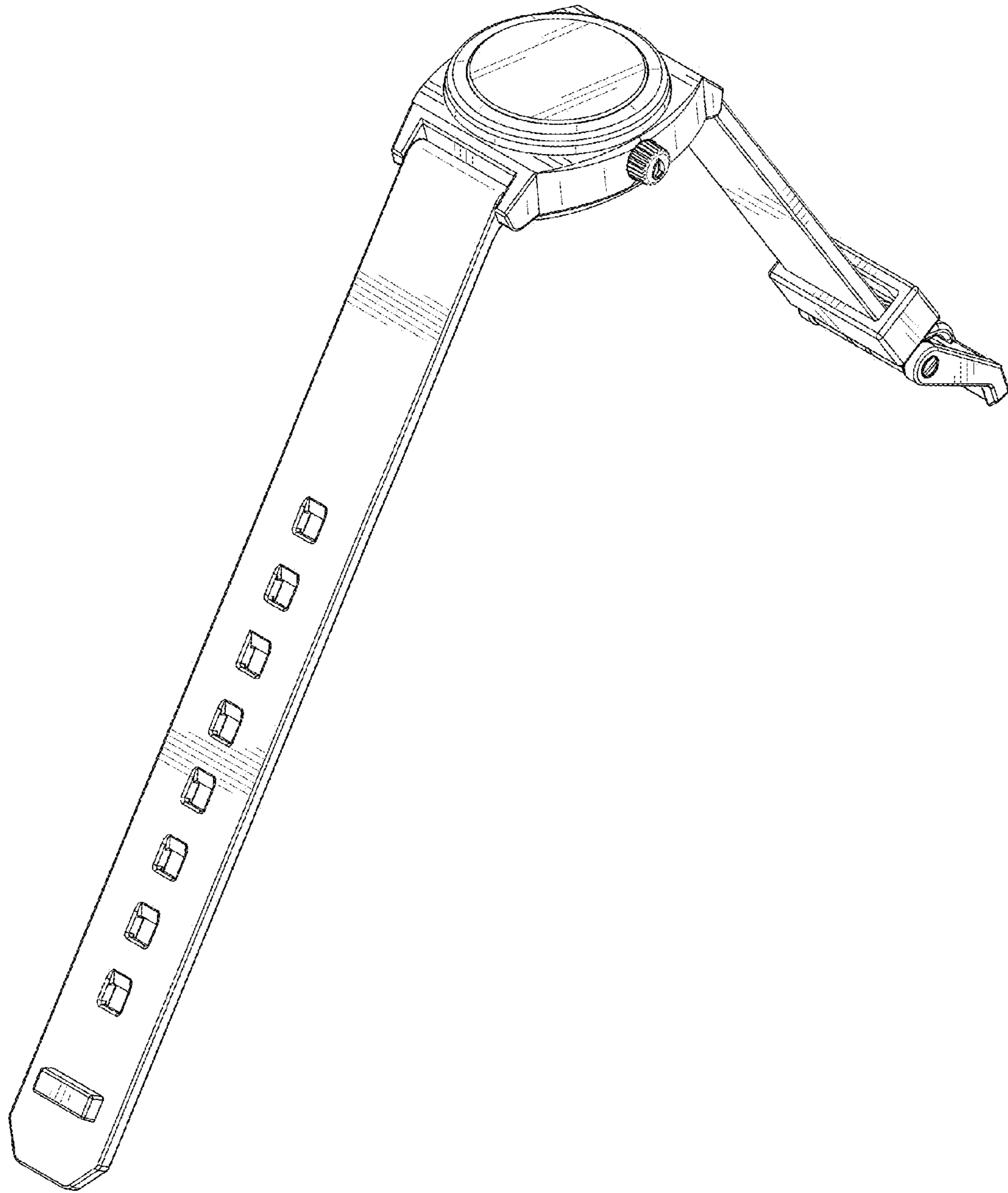


FIG. 1

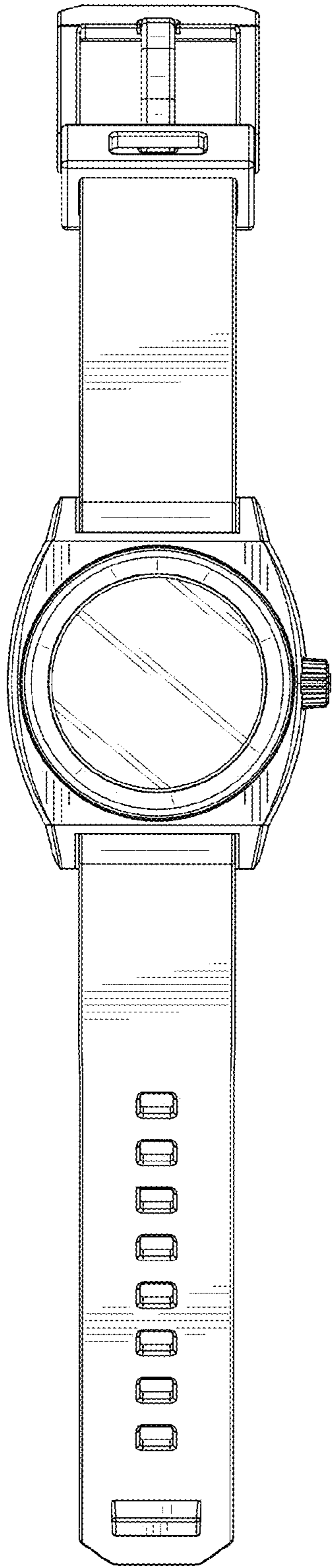


FIG. 2

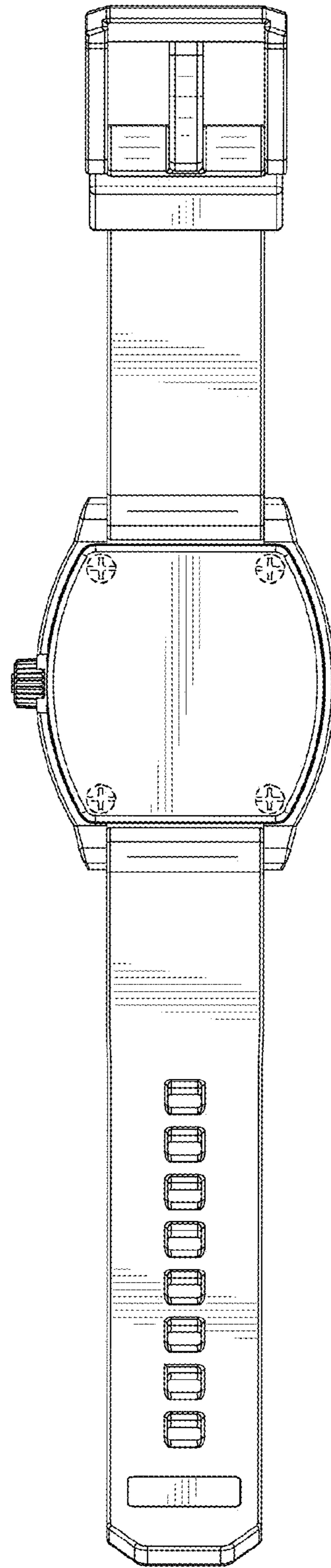


FIG. 3

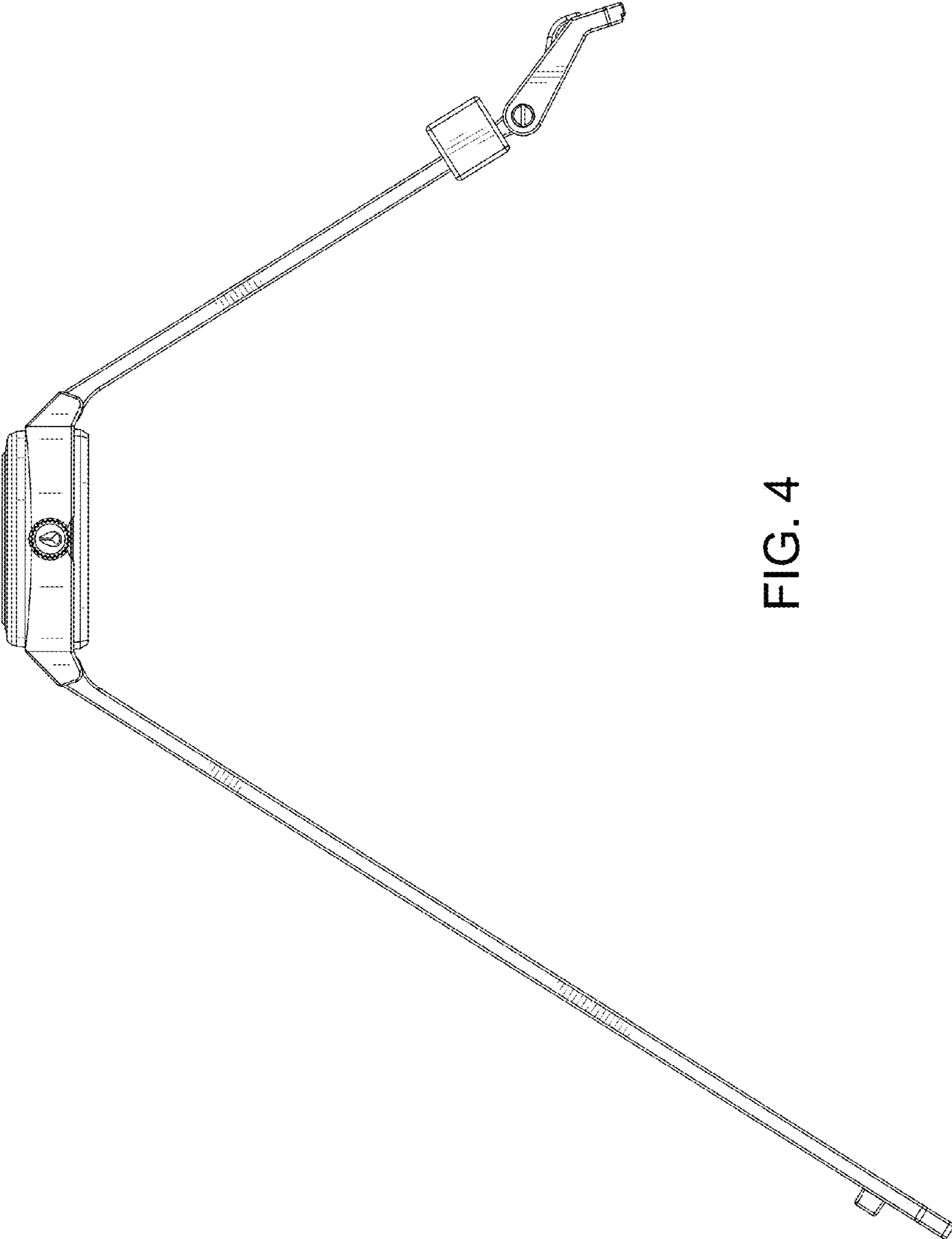


FIG. 4

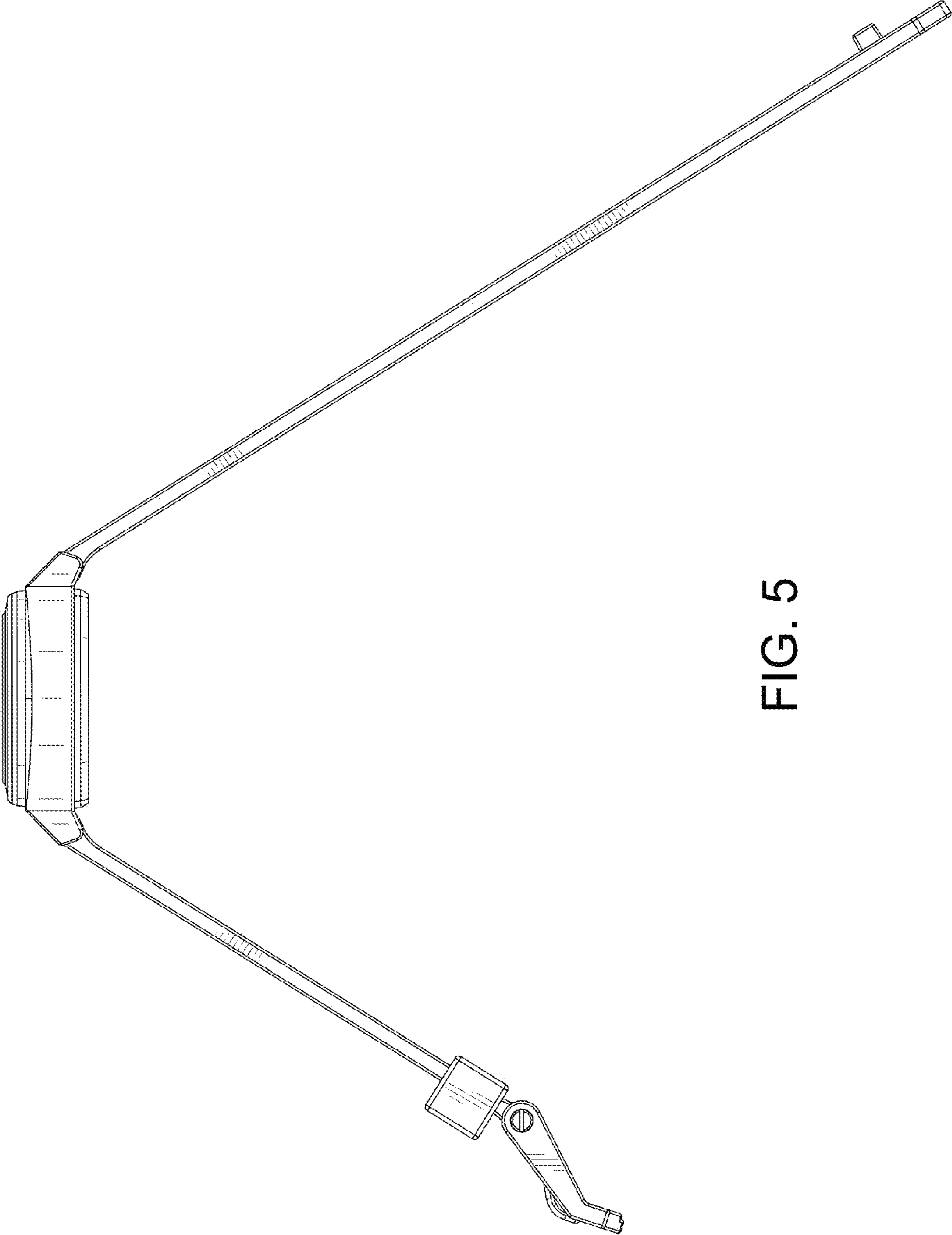


FIG. 5

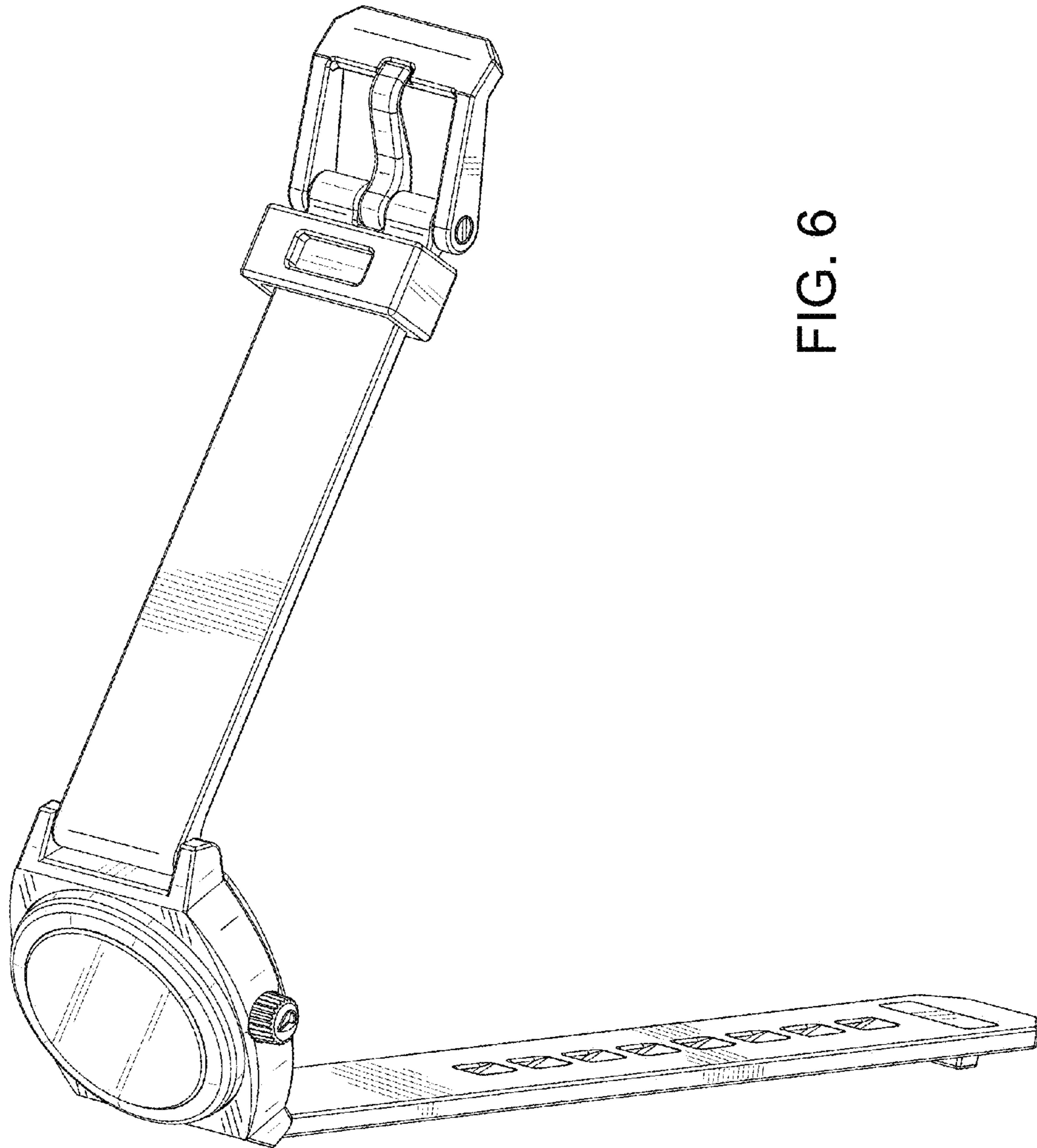


FIG. 6

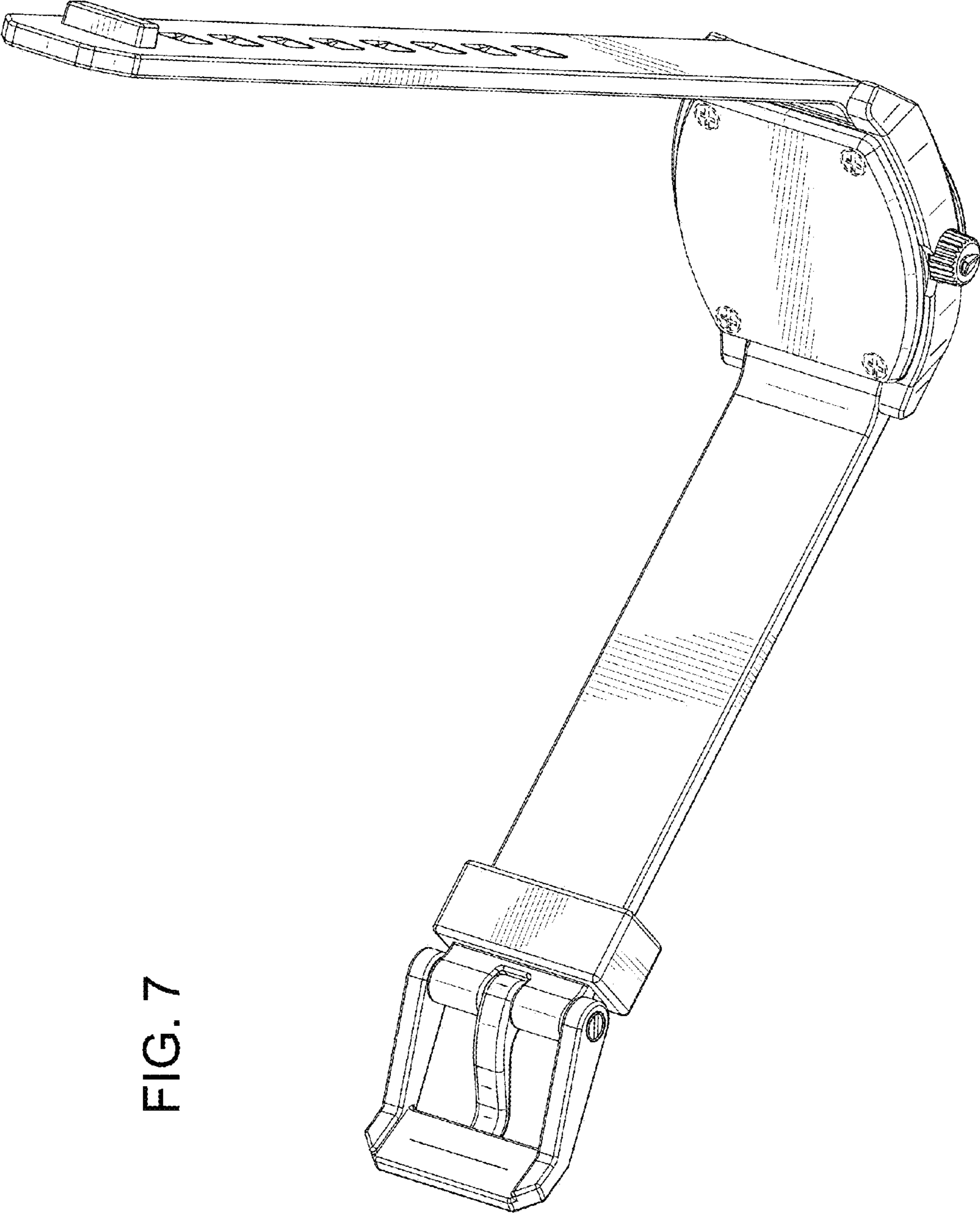


FIG. 7