

US00D719459S

(12) **United States Design Patent**
Corbett et al.

(10) **Patent No.:** **US D719,459 S**

(45) **Date of Patent:** **** Dec. 16, 2014**

(54) **BOTTLE WITH BASE**

(56) **References Cited**

(71) Applicant: **Children Oral Care, LLC**, Buena Park, CA (US)

U.S. PATENT DOCUMENTS

(72) Inventors: **Doug Corbett**, New Canaan, CT (US);
David Louis Keener, III, Stanton, CA (US); **Huy Kha Nguyen**, Anaheim, CA (US)

D407,304 S *	3/1999	Crawford	D9/682
D417,850 S *	12/1999	Miller	D9/542
D485,747 S *	1/2004	Crawford	D9/682
D524,166 S *	7/2006	Walther et al.	D9/682
D587,122 S *	2/2009	Herstol et al.	D9/557
D609,101 S *	2/2010	Herstol et al.	D9/557
D626,425 S *	11/2010	Lam	D9/604
D634,208 S *	3/2011	Schlies	D9/542
D645,752 S *	9/2011	True et al.	D9/516
D684,063 S *	6/2013	True et al.	D9/542

(73) Assignee: **Children Oral Care, LLC**, Buena Park, CA (US)

* cited by examiner

(**) Term: **14 Years**

Primary Examiner — Sandra Morris

(74) *Attorney, Agent, or Firm* — Snell & Wilmer LLP

(21) Appl. No.: **29/466,957**

(57) **CLAIM**

We claim the ornamental design for a bottle with base, as shown and described.

(22) Filed: **Sep. 13, 2013**

DESCRIPTION

(51) **LOC (10) Cl.** **09-01**

(52) **U.S. Cl.**

USPC **D9/600**; D9/602; D9/548

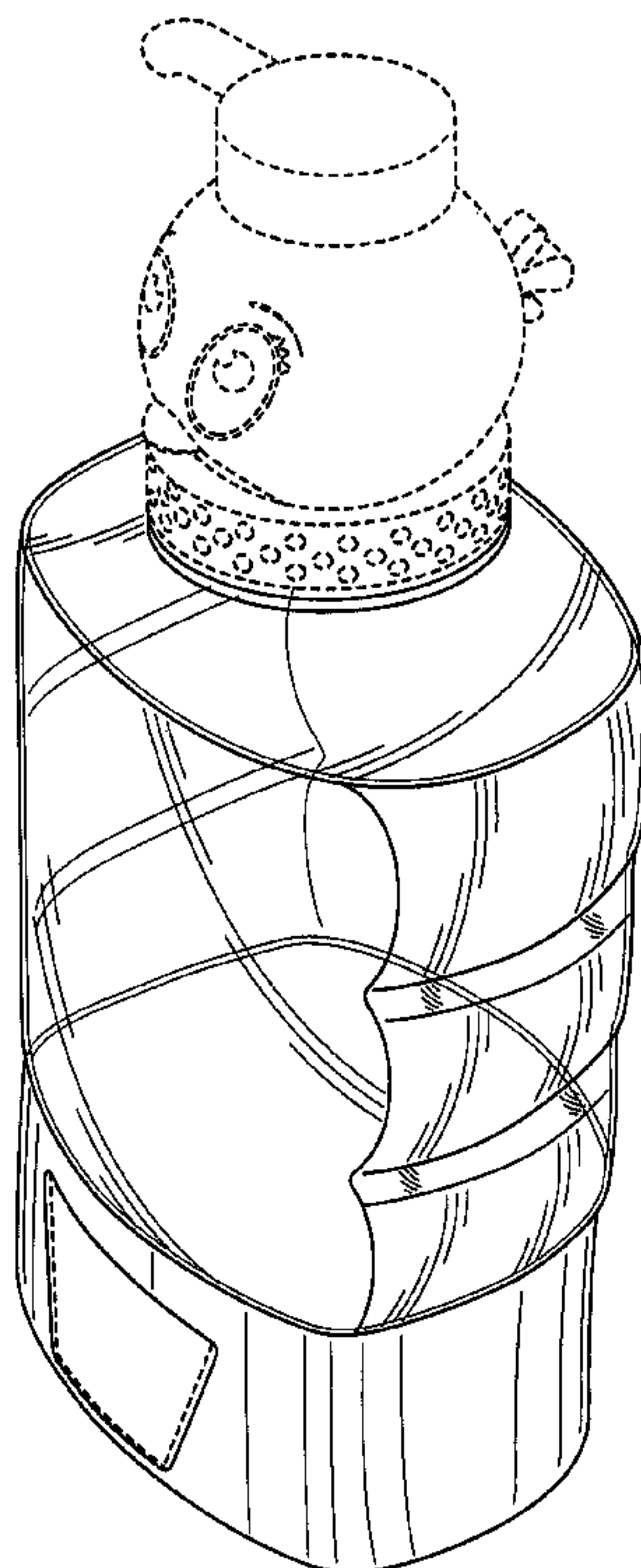
(58) **Field of Classification Search**

USPC D9/600–604, 682, 723, 727–729,
D9/500–504, 516, 520, 537–559,
D9/554–546; 206/494, 457, 527, 540, 830;
215/400; 220/260, 890; 229/116.1,
229/116.2; D7/514–519, 619.2, 628

FIG. 1 is a perspective rear view of the bottle with base showing our new design;
FIG. 2 is a front view of the bottle with base;
FIG. 3 is a rear view of the bottle with base;
FIG. 4 is a left side view of the bottle with base;
FIG. 5 is a right side view of the bottle with base;
FIG. 6 is a top view of the bottle with base; and,
FIG. 7 is a bottom view of the bottle with base.
The broken lines in the FIGURES are for illustrative purposes only and form no part of the claimed design.

See application file for complete search history.

1 Claim, 6 Drawing Sheets



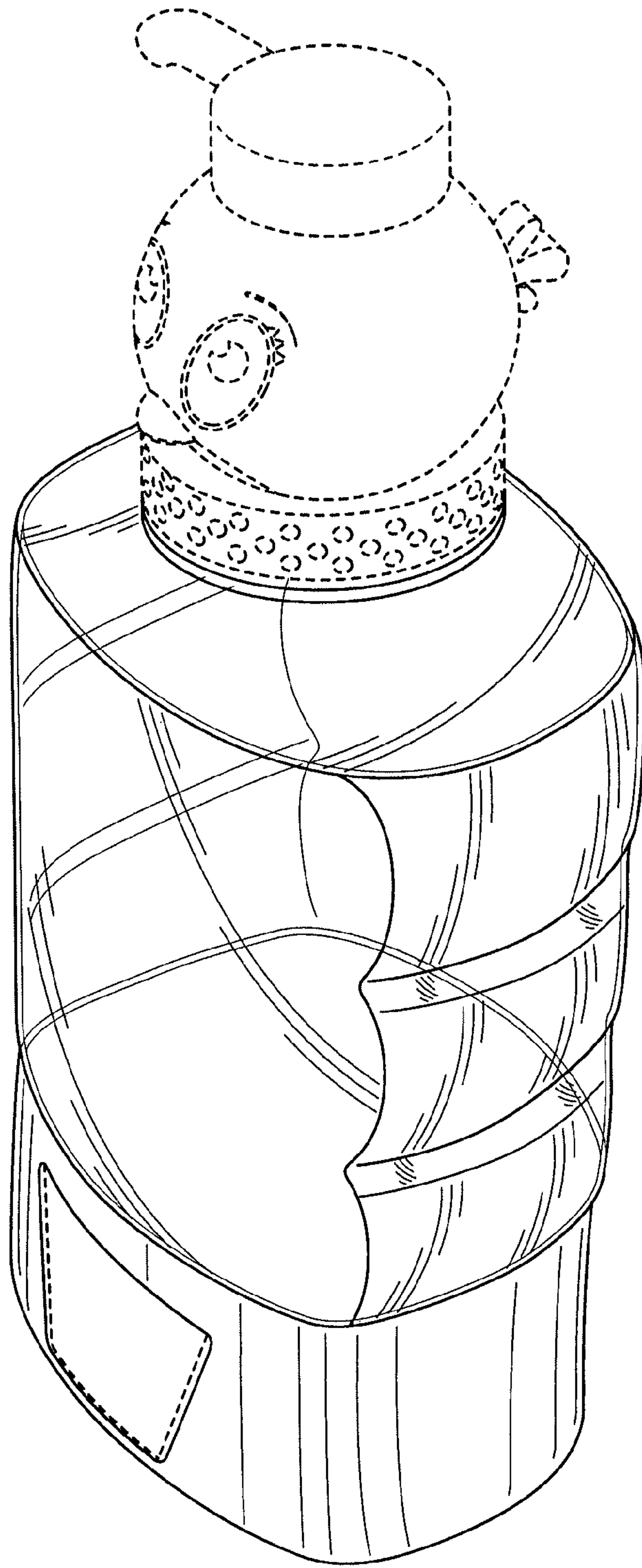


FIG. 1

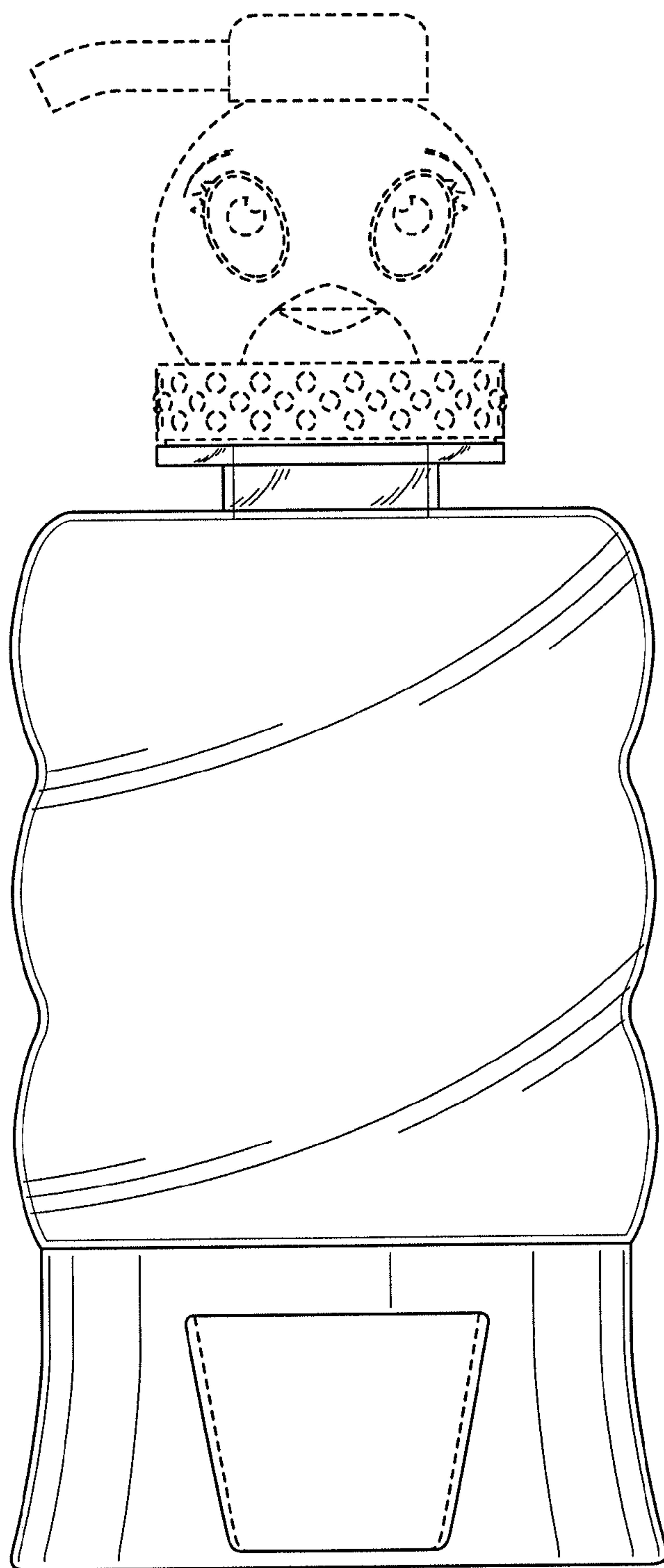


FIG. 2

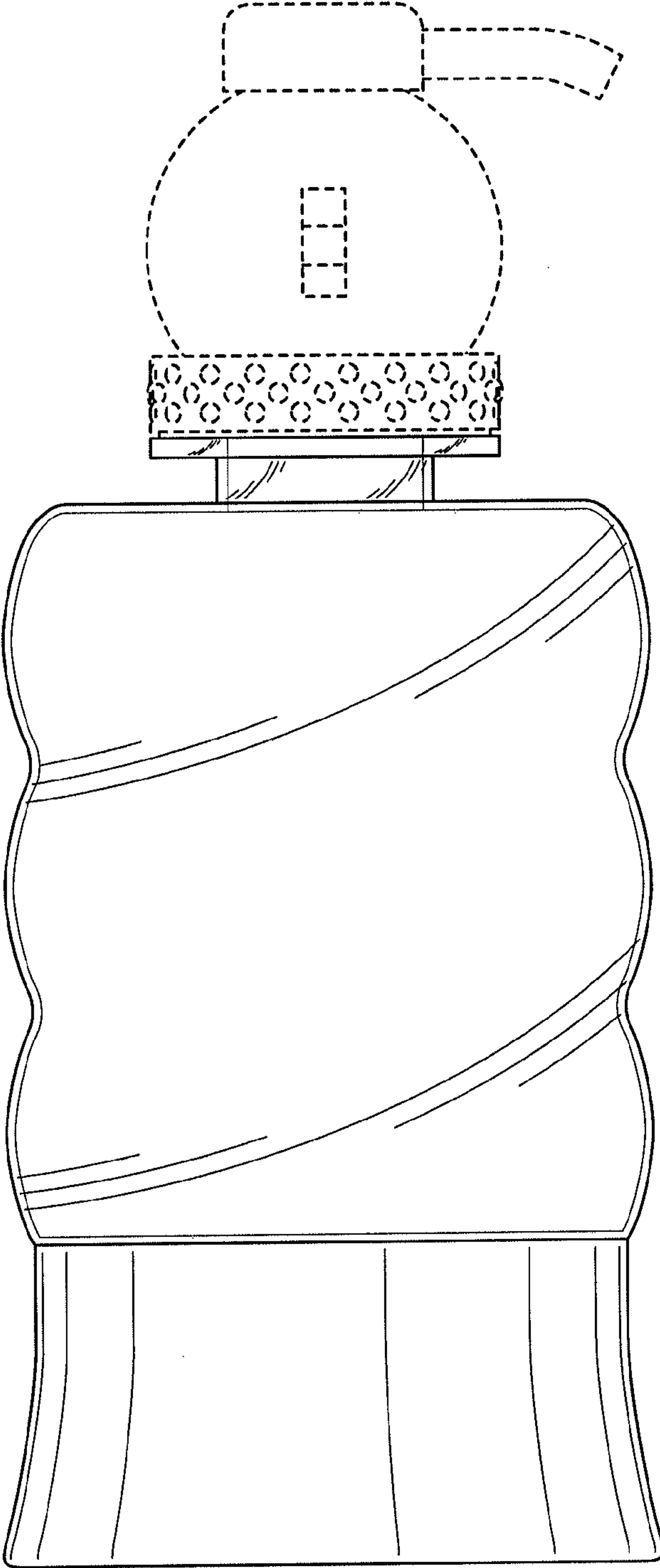


FIG. 3

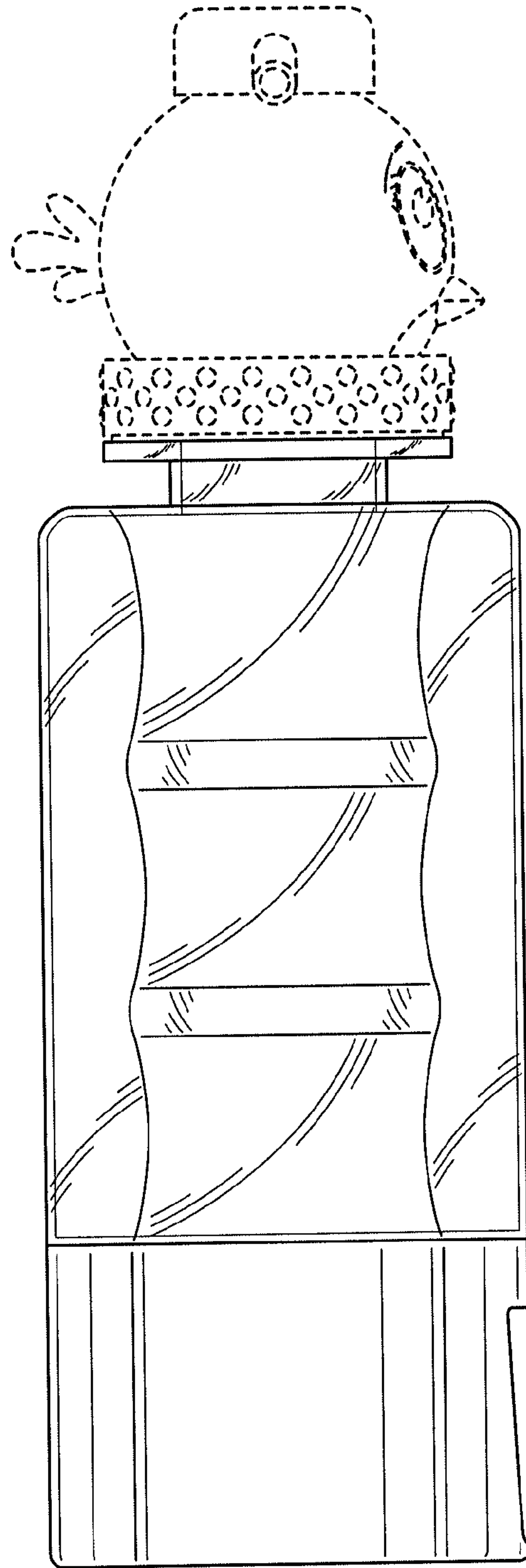


FIG. 4

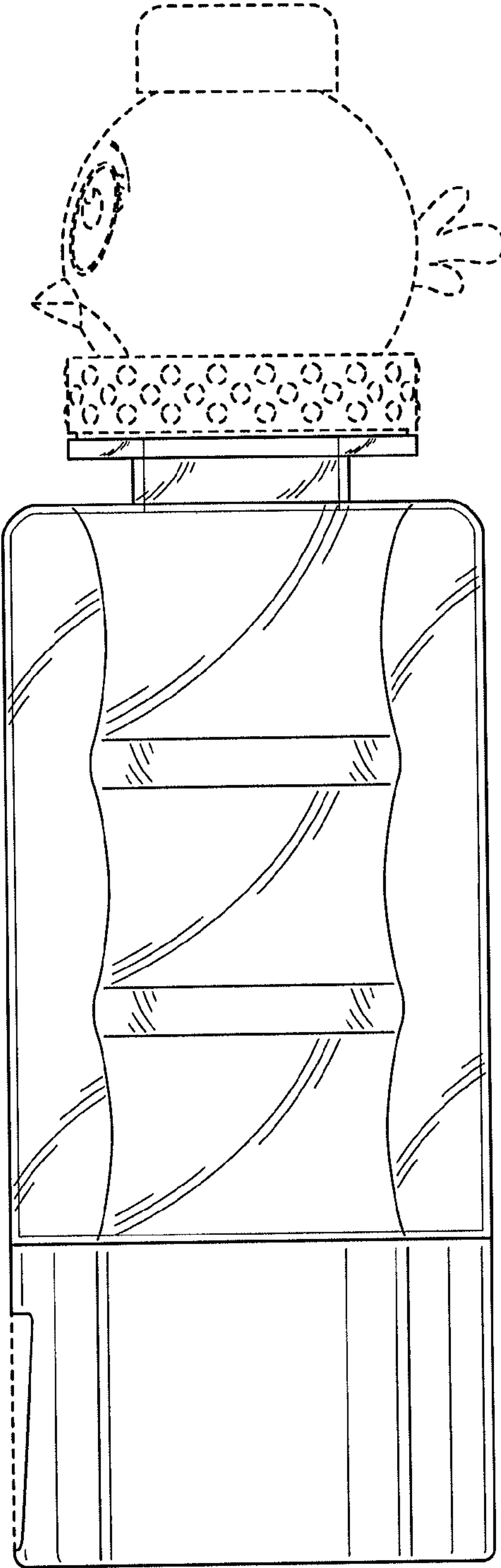


FIG. 5

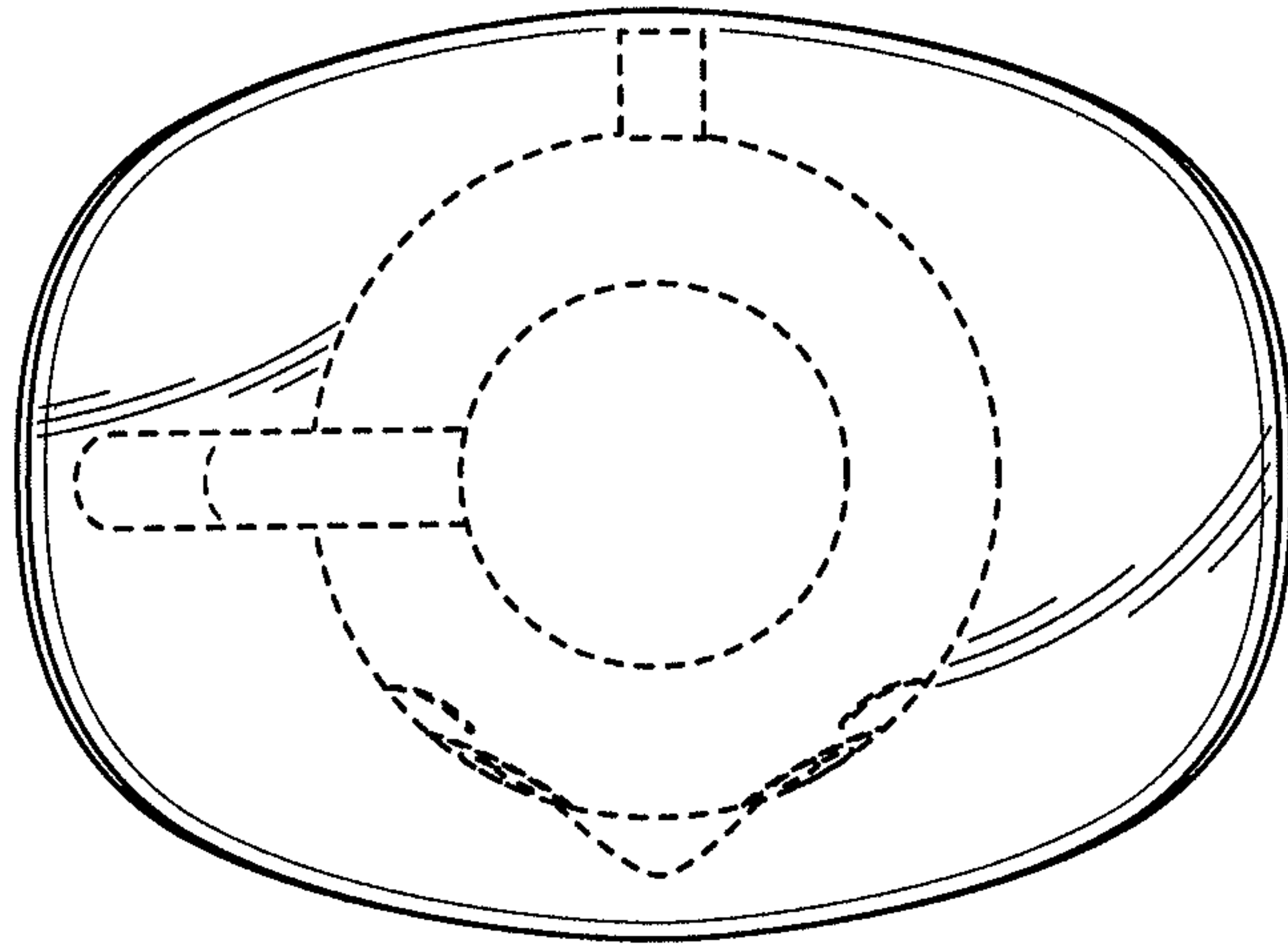


FIG. 6

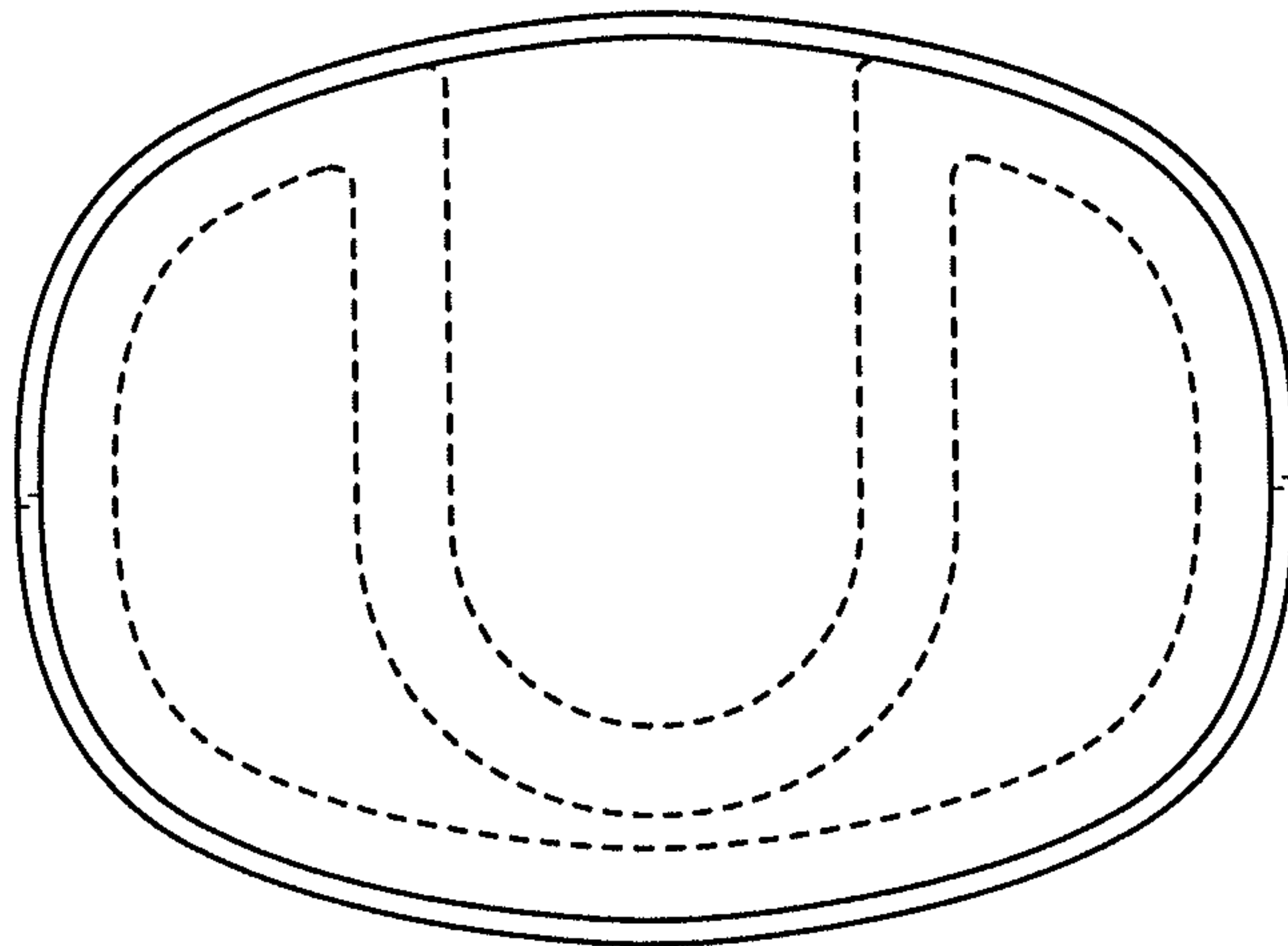


FIG. 7