



US00D719456S

(12) **United States Design Patent**  
**Ivie**

(10) **Patent No.:** **US D719,456 S**

(45) **Date of Patent:** **\*\* Dec. 16, 2014**

(54) **JAR**

(75) Inventor: **Kristopher J. Ivie**, Hallam, PA (US)

(73) Assignee: **Graham Engineering Corporation**,  
York, PA (US)

(\*\*) Term: **14 Years**

(21) Appl. No.: **29/413,058**

(22) Filed: **Feb. 10, 2012**

(51) **LOC (10) Cl.** ..... **09-01**

(52) **U.S. Cl.**

USPC ..... **D9/560**; D9/563; D9/574

(58) **Field of Classification Search**

CPC ..... B65D 1/00; B65D 1/02; B65D 1/0223;  
B65D 1/10; B65D 23/00; B65D 2501/00;  
B65D 2501/0009; B65D 2501/0081

USPC ..... D9/516, 520, 559-560, 563, 566,  
D9/572-574, 541-542; 215/379, 381-383;  
220/660, 669, 675

See application file for complete search history.

(56) **References Cited**

**U.S. PATENT DOCUMENTS**

D267,076	S	*	11/1982	Hurtig	.....	D9/520
D271,565	S	*	11/1983	Slater	.....	D9/520
5,477,974	A	*	12/1995	Reil et al.	.....	215/382
D423,366	S	*	4/2000	Gans	.....	D9/541
D426,164	S	*	6/2000	Gans et al.	.....	D9/541
D426,469	S	*	6/2000	Mankowski et al.	.....	D9/541

D435,455	S	*	12/2000	Gans	.....	D9/541
D448,675	S	*	10/2001	Thierjung	.....	D9/541
D455,656	S	*	4/2002	Gans et al.	.....	D9/541
D466,022	S	*	11/2002	Hirst et al.	.....	D9/539
D541,157	S	*	4/2007	Samartgis	.....	D9/502
D578,898	S	*	10/2008	Ungrady	.....	D9/560
D591,605	S	*	5/2009	Ungrady	.....	D9/559
D601,431	S	*	10/2009	Serrano Diaz	.....	D9/560

\* cited by examiner

*Primary Examiner* — Ian Simmons

*Assistant Examiner* — Dana L Meyrow

(74) *Attorney, Agent, or Firm* — McNeese Wallace & Nurick  
LLC

(57) **CLAIM**

The ornamental design for a jar, as shown and described.

**DESCRIPTION**

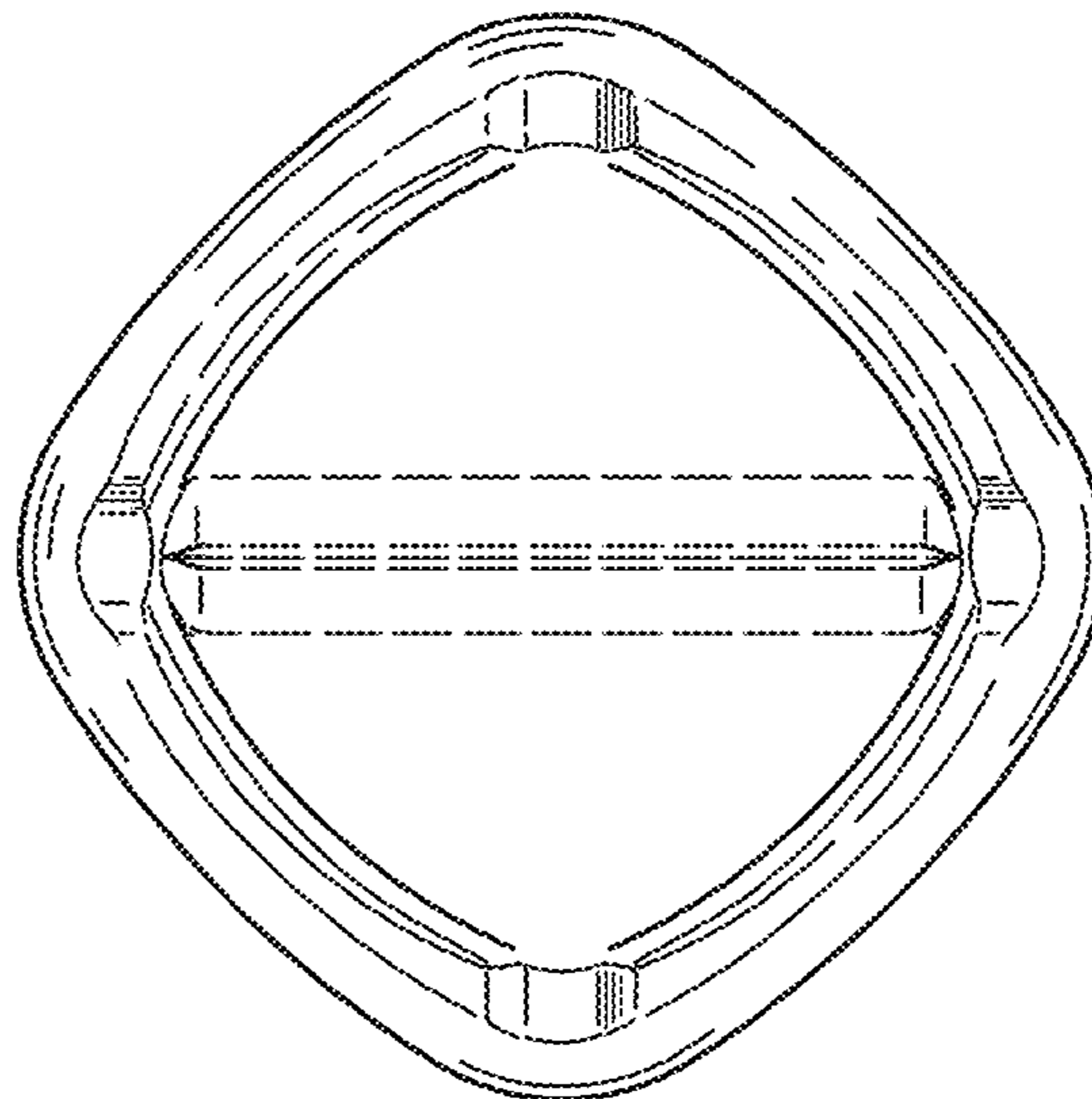
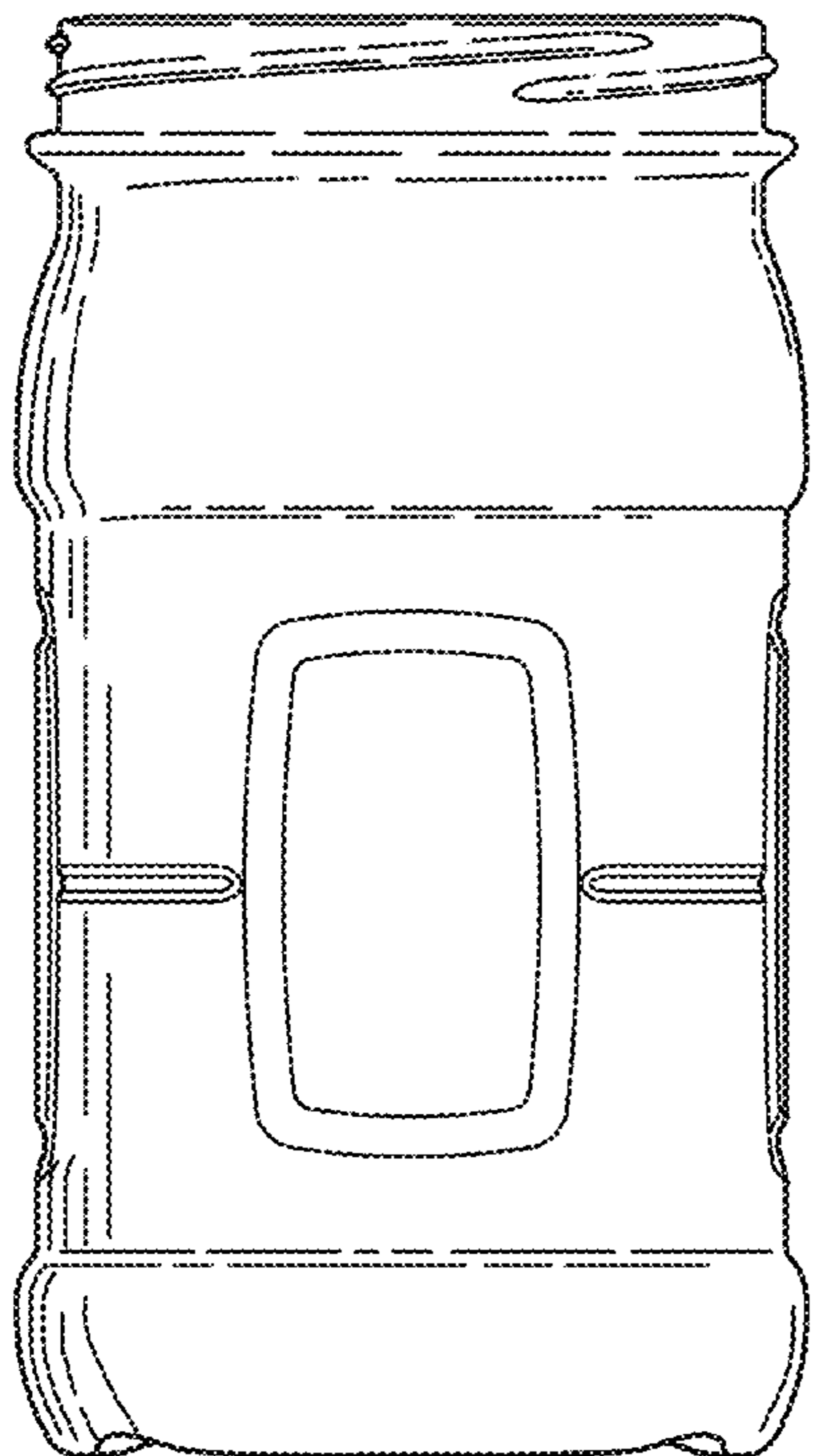
FIG. 1 is a perspective view of the jar;  
FIG. 2 is a front elevation view of the jar of FIG. 1, the rear  
elevation view, left side elevation view, and right side eleva-  
tion view being identical;

FIG. 3 is a top elevation view of the jar of FIG. 1 shown at an  
enlarged scale; and,

FIG. 4 is a bottom elevation view of the jar of FIG. 1 shown at  
an enlarged scale.

The broken lines in the drawings illustrate the portions of the  
design that form no part of the claim.

**1 Claim, 2 Drawing Sheets**



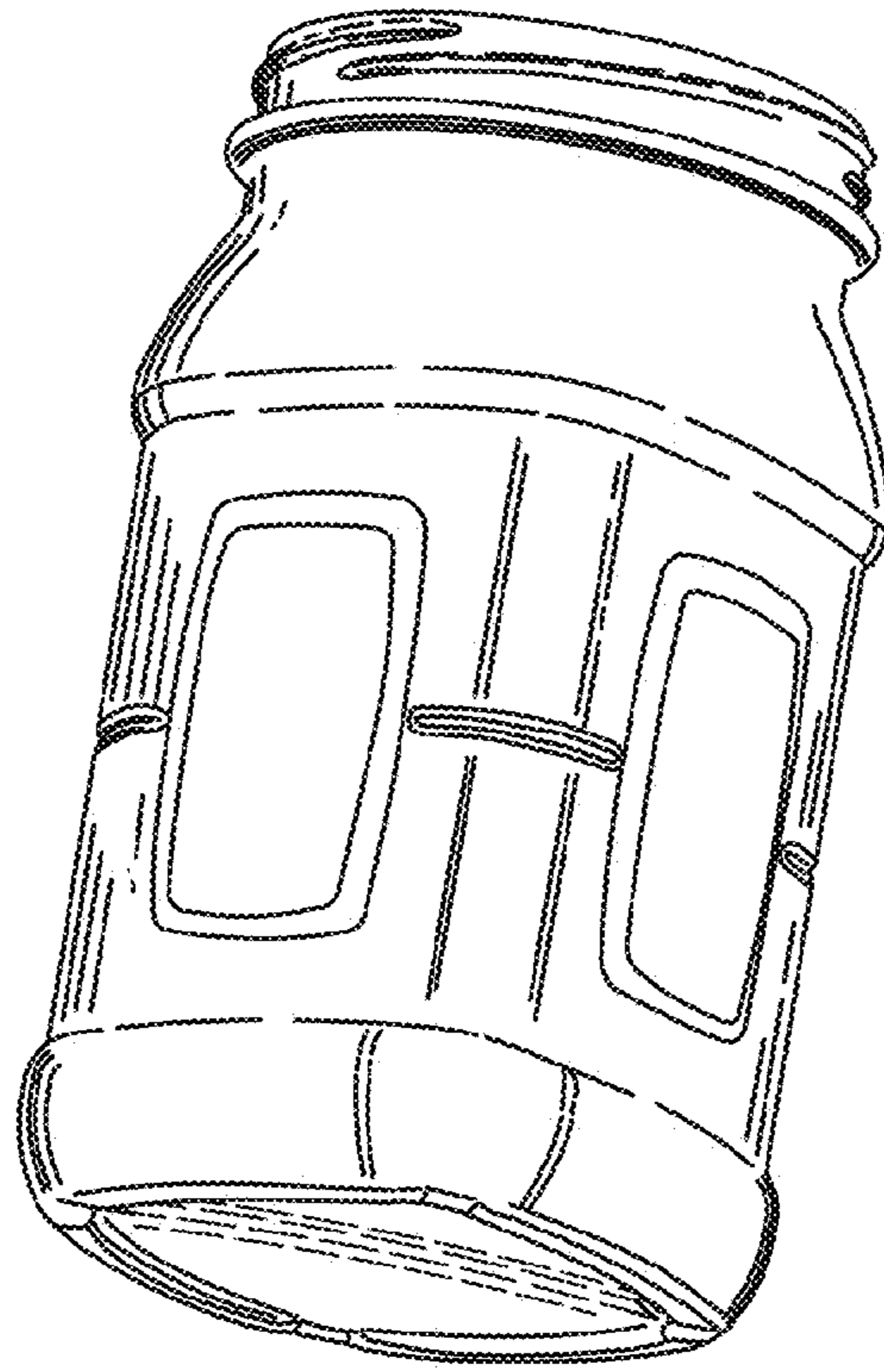


FIG. 1

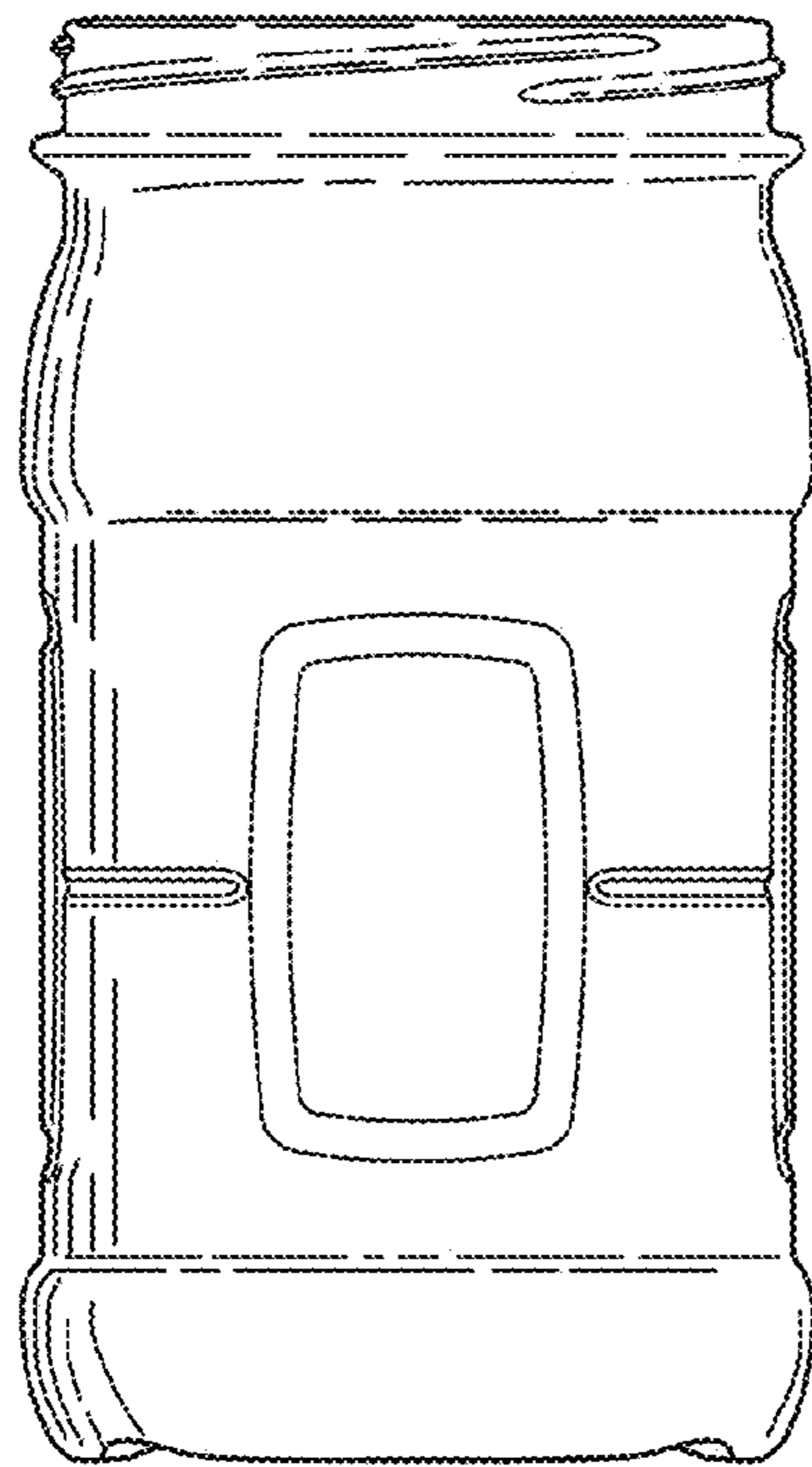


FIG. 2

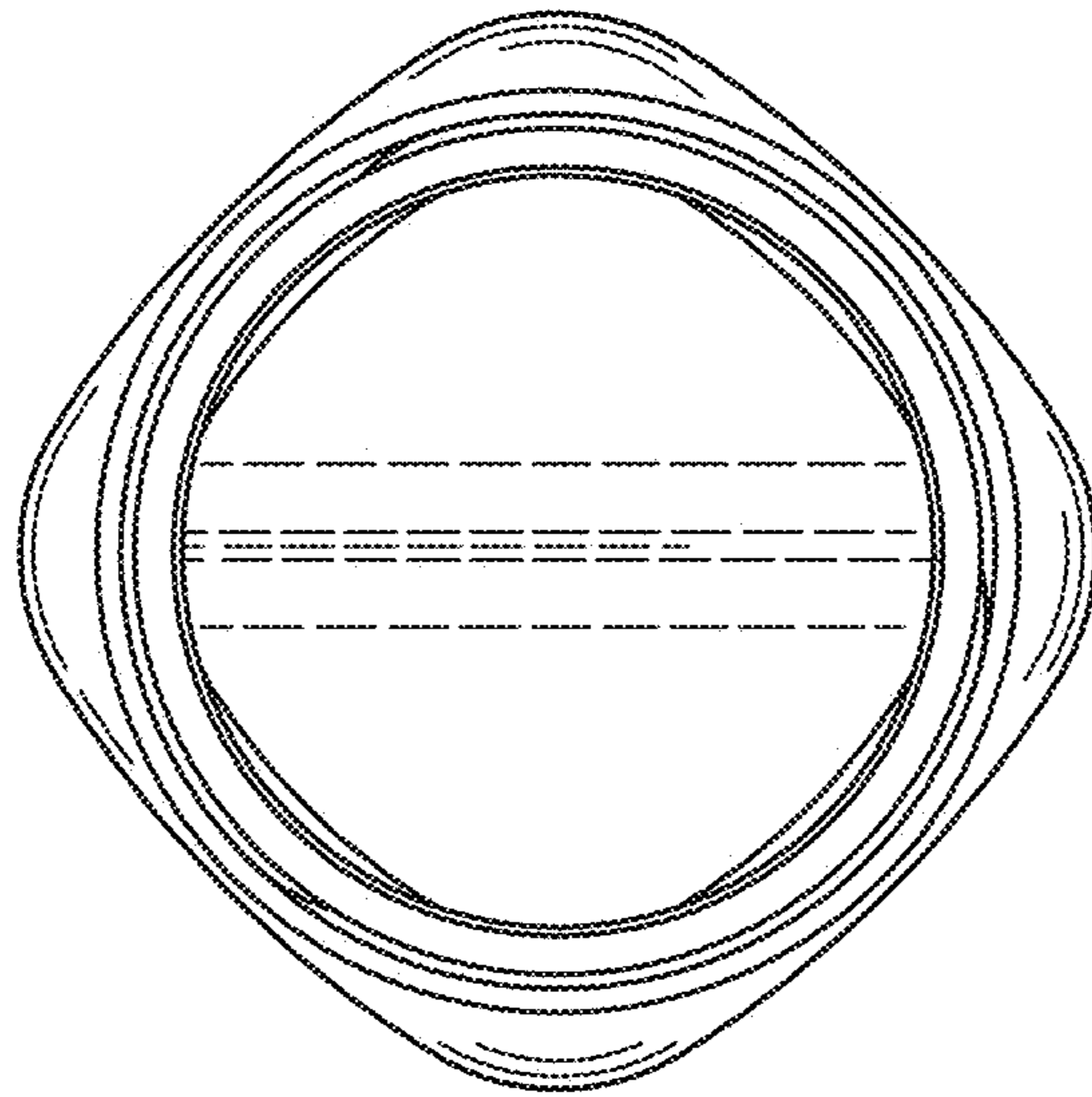


FIG. 3

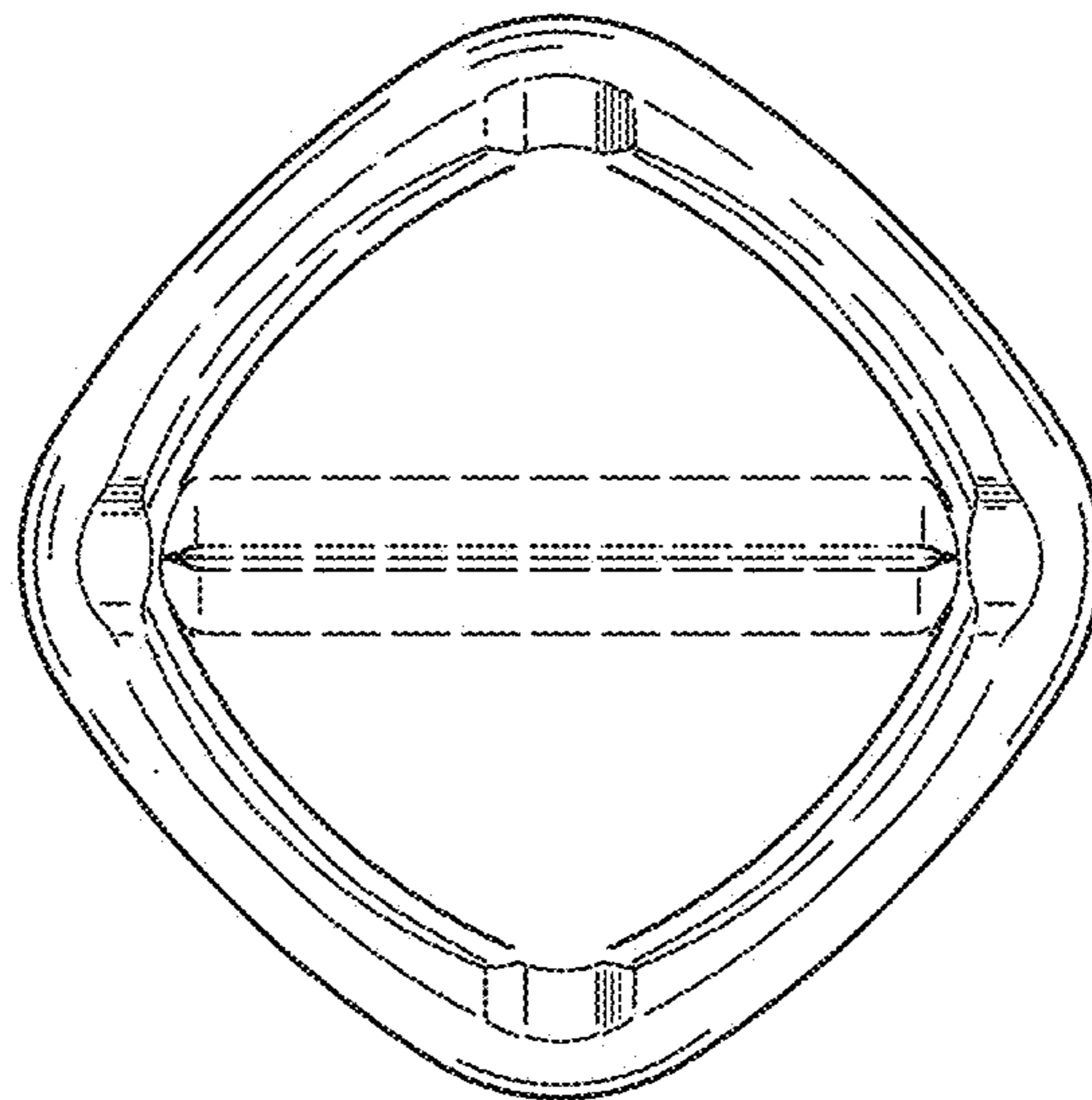


FIG. 4