



US00D719449S

(12) **United States Design Patent**
Eaton et al.

(10) **Patent No.:** **US D719,449 S**

(45) **Date of Patent:** **** Dec. 16, 2014**

(54) **BOTTLE**

(71) Applicant: **PepsiCo, Inc.**, Purchase, NY (US)

(72) Inventors: **William R. Eaton**, Southbury, CT (US);
Richard Kraft, Shorewood, IL (US);
Sean K. Horita, Woodinville, WA (US);
Rohit Joshi, Ann Arbor, MI (US); **Ryan Maloney**, Seattle, WA (US); **Jay Ostby**, Seattle, WA (US); **David Schlesinger**, Seattle, WA (US); **Mark A. Woloszyk**, Clinton, MI (US); **Guizhang Zheng**, Ann Arbor, MI (US)

(73) Assignee: **PepsiCo, Inc.**, Purchase, NY (US)

(**) Term: **14 Years**

(21) Appl. No.: **29/466,801**

(22) Filed: **Sep. 11, 2013**

(51) **LOC (10) Cl.** **09-01**

(52) **U.S. Cl.**
USPC **D9/516**; D9/540; D9/550

(58) **Field of Classification Search**
CPC B65D 1/00; B65D 1/02; B65D 1/0223;
B65D 1/40; B65D 1/42; B65D 23/00; B65D
2501/00; B65D 2501/0009
USPC D9/516, 520, 522, 530, 537-538,
D9/540-543, 549-550, 552, 558, 563, 571,
D9/575; 215/379, 381-382; 220/660, 669,
220/675

See application file for complete search history.

(56) **References Cited**

U.S. PATENT DOCUMENTS

D224,383 S 7/1972 Mascia et al.
D226,179 S 1/1973 Bystedt et al.
D227,862 S 7/1973 Mascia et al.
D303,930 S 10/1989 Durand

D379,154 S 5/1997 Cox
D381,272 S 7/1997 Coons
D383,679 S 9/1997 Wilson et al.
D409,919 S * 5/1999 Young D9/520
D429,166 S 8/2000 Ogg
D447,061 S 8/2001 Peek
D455,964 S 4/2002 Patterson
D466,415 S 12/2002 Reis
D477,061 S 7/2003 Schriefer
D496,280 S 9/2004 Mero et al.
D503,341 S 3/2005 Delmotte
D506,931 S 7/2005 Delmotte
D509,746 S 9/2005 Mero et al.
D510,025 S 9/2005 Venkataraman et al.
D525,132 S 7/2006 Todd
D532,314 S 11/2006 Todd
D553,504 S 10/2007 Goto et al.
D556,579 S 12/2007 Goto et al.
D556,587 S 12/2007 Kruparova
D558,582 S 1/2008 Venkataraman et al.

(Continued)

Primary Examiner — Ian Simmons

Assistant Examiner — Dana L Meyrow

(74) *Attorney, Agent, or Firm* — Banner & Witcoff, Ltd.

(57) **CLAIM**

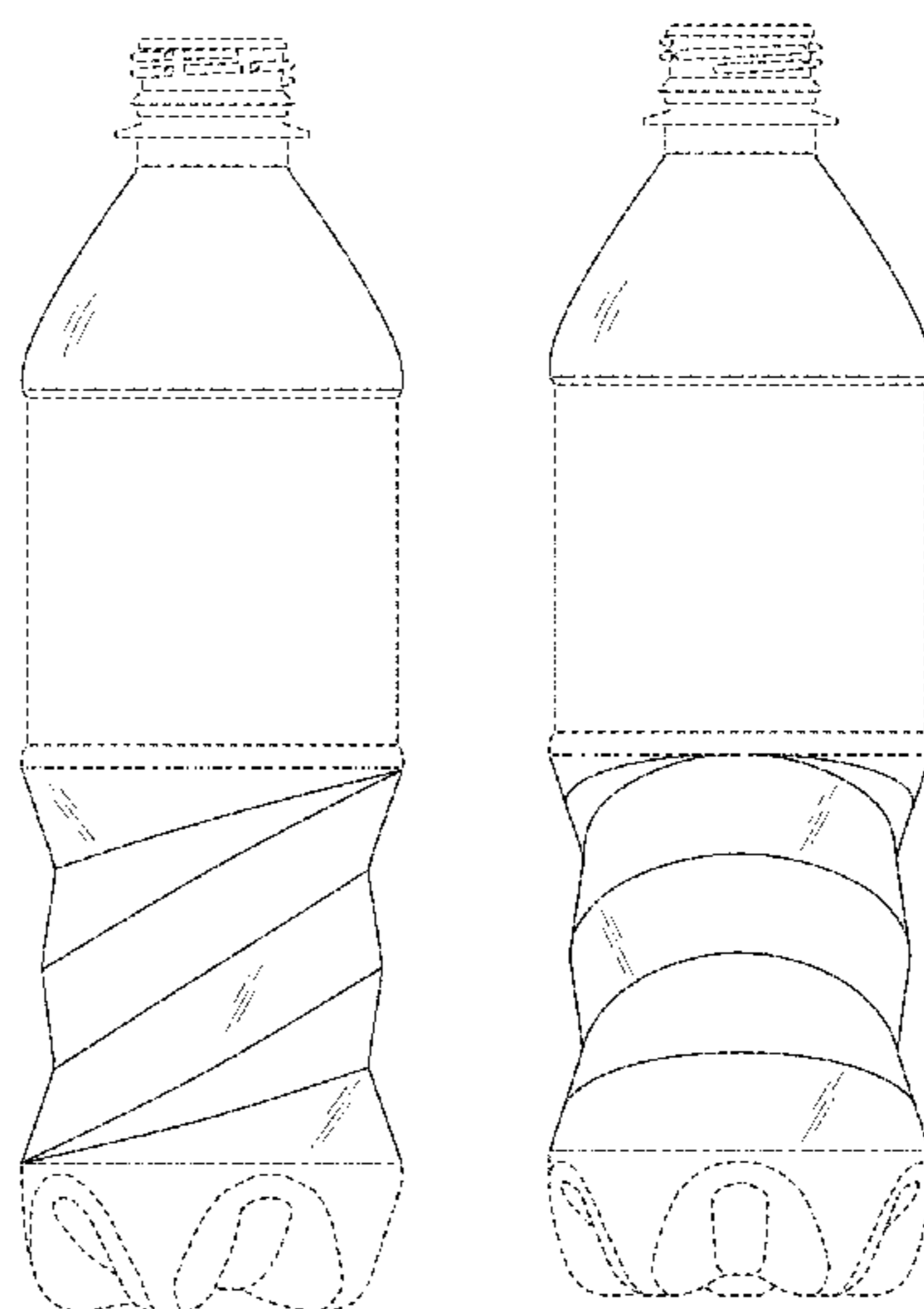
The ornamental design for a bottle, as shown and described.

DESCRIPTION

FIG. 1 is a top, front, left side perspective view of a bottle showing our new design;
FIG. 2 is a left side elevation view thereof;
FIG. 3 is a front elevation view thereof;
FIG. 4 is a right side elevation view thereof;
FIG. 5 is a rear elevation view thereof;
FIG. 6 is a top plan view thereof; and,
FIG. 7 is a bottom plan view thereof.

The evenly dashed broken lines in the drawings illustrate the portions of the design that form no part of the claim. The dot-dash broken lines in the drawings define the bounds of the claim and form no part thereof.

1 Claim, 7 Drawing Sheets



(56)

References Cited

U.S. PATENT DOCUMENTS

D560,500 S 1/2008 Venkataraman et al.
 D561,596 S 2/2008 Hyde et al.
 D561,597 S 2/2008 Venkataraman et al.
 D561,598 S 2/2008 Dellevigne
 D565,961 S 4/2008 Dellevigne
 D568,158 S 5/2008 Dellevigne
 D568,159 S 5/2008 Dellevigne
 D568,166 S 5/2008 Dellevigne
 D569,255 S 5/2008 Venkataraman et al.
 D569,256 S 5/2008 Venkataraman et al.
 D570,220 S 6/2008 Venkataraman et al.
 D570,691 S 6/2008 Robbins, III et al.
 D570,693 S 6/2008 Venkataraman et al.
 D570,694 S 6/2008 Venkataraman et al.
 D570,695 S 6/2008 Venkataraman et al.
 D571,215 S 6/2008 Venkataraman et al.
 D571,668 S 6/2008 Dellevigne
 D573,029 S 7/2008 Venkataraman et al.
 D573,472 S 7/2008 Venkataraman et al.
 D573,477 S 7/2008 Caldwell
 D576,042 S 9/2008 Dellevigne
 D576,049 S 9/2008 Trollope et al.
 D576,886 S 9/2008 Venkataraman et al.

D581,285 S 11/2008 Lepoitevin
 D581,799 S 12/2008 Bourne
 D582,780 S 12/2008 Bourne
 D584,627 S 1/2009 Lepoitevin
 D584,628 S 1/2009 Lepoitevin
 D584,630 S 1/2009 Darr et al.
 D589,804 S 4/2009 Lovelace, Jr. et al.
 D602,782 S 10/2009 Lepoitevin
 D604,169 S 11/2009 Melossi
 D609,105 S 2/2010 Tiefenback
 D612,733 S 3/2010 Eugui et al.
 D616,762 S 6/2010 Caldwell et al.
 D621,264 S 8/2010 Williams
 D621,276 S 8/2010 Bourne
 D621,711 S 8/2010 Williams
 D623,950 S 9/2010 Eugui et al.
 D623,951 S 9/2010 Eugui et al.
 D637,908 S 5/2011 Fleischhacker et al.
 D643,723 S 8/2011 Snyder et al.
 D644,929 S 9/2011 White et al.
 D648,222 S 11/2011 Snyder et al.
 D652,307 S 1/2012 White et al.
 D676,755 S 2/2013 Hein
 D699,580 S * 2/2014 Eaton et al. D9/516
 D700,519 S * 3/2014 Eaton et al. D9/516

* cited by examiner

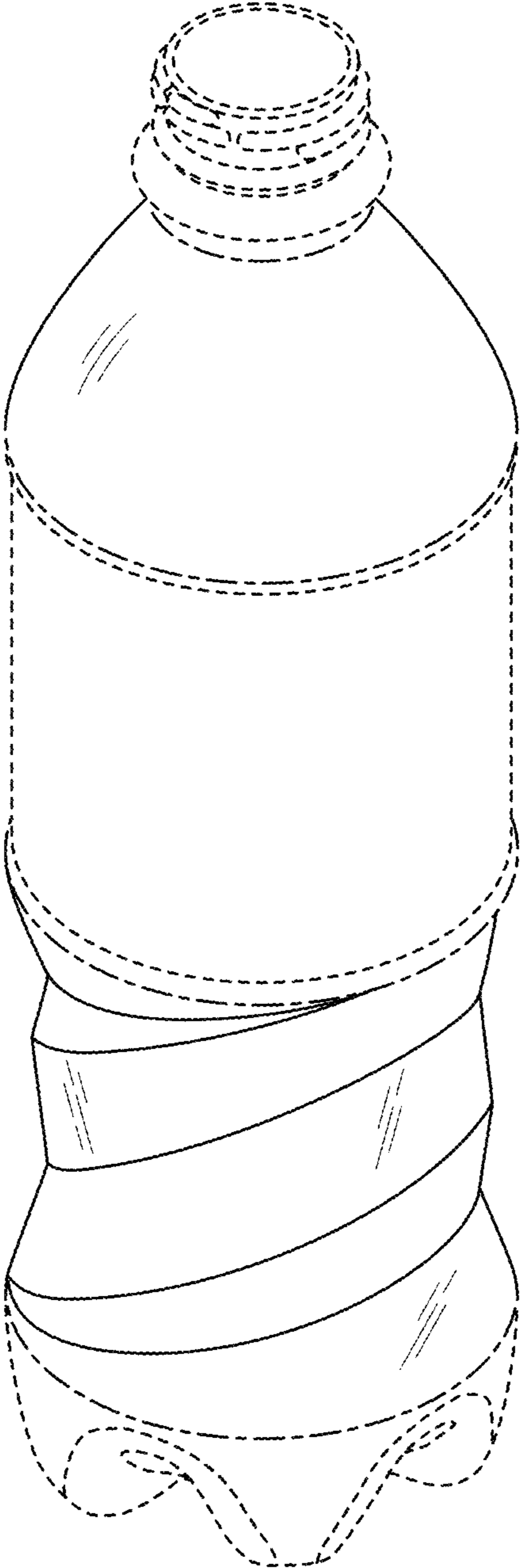


FIG. 1

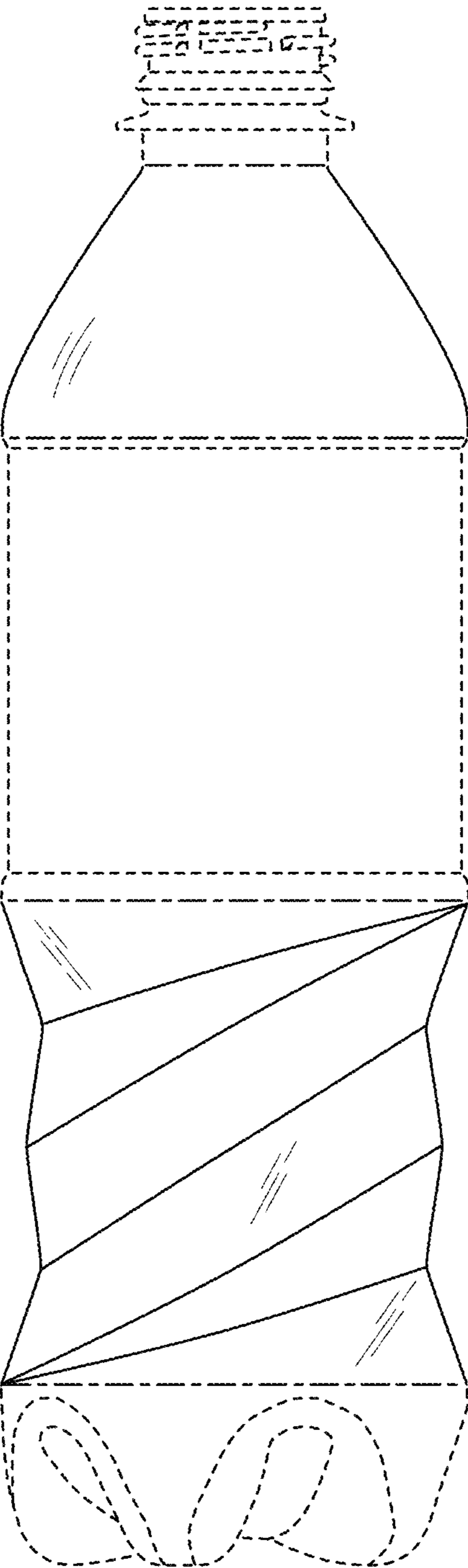


FIG. 2

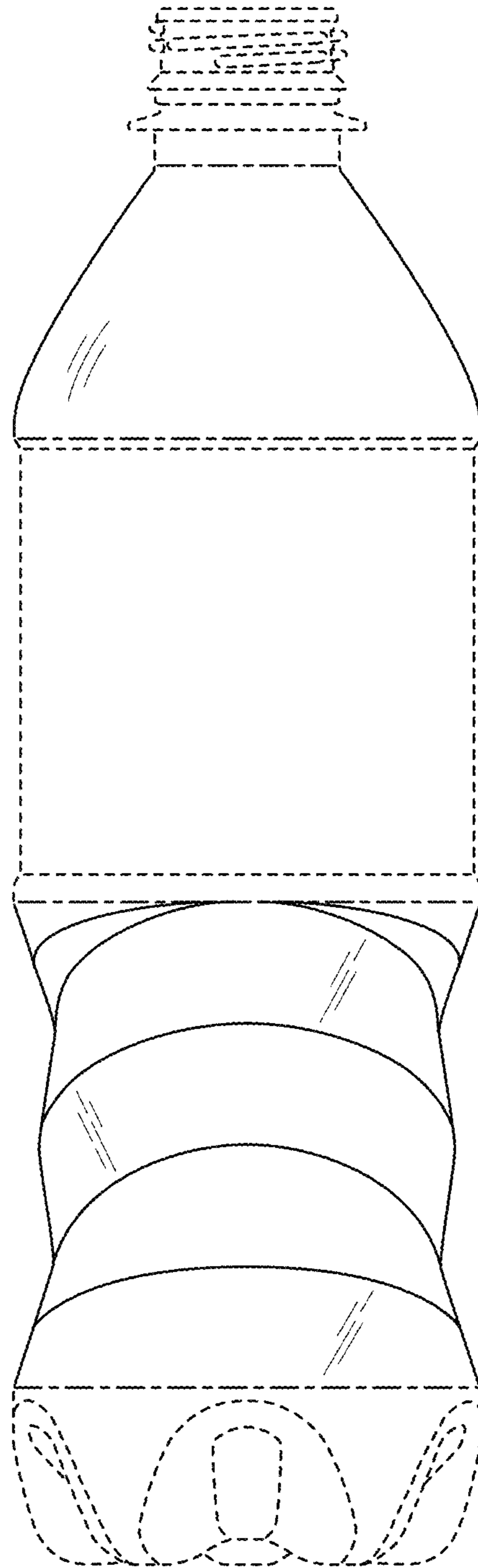


FIG. 3

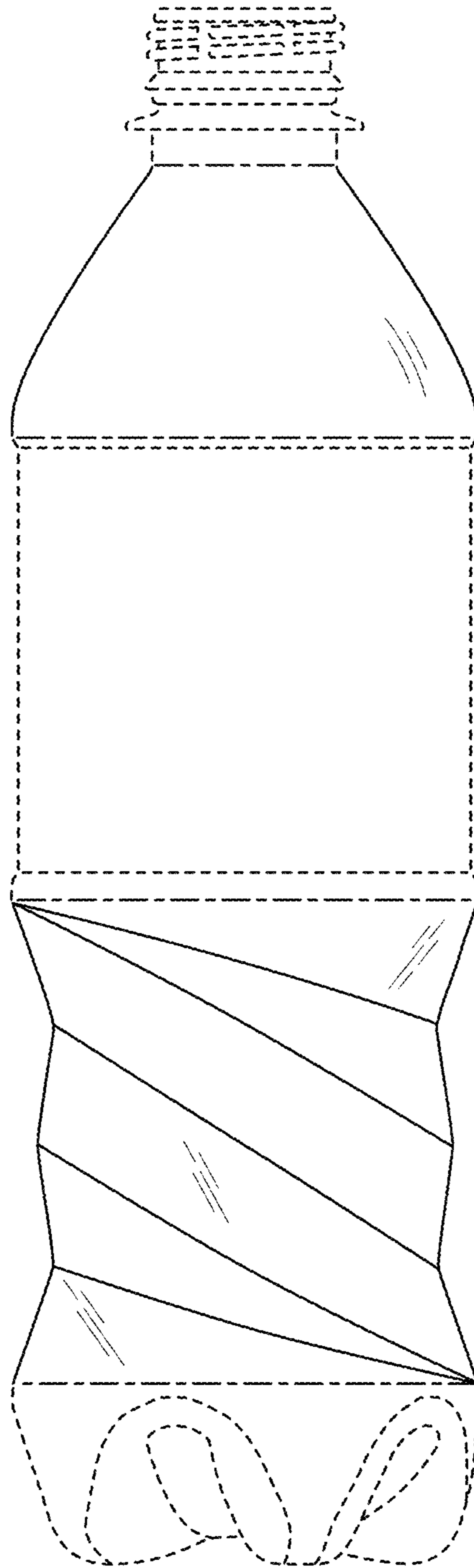


FIG. 4

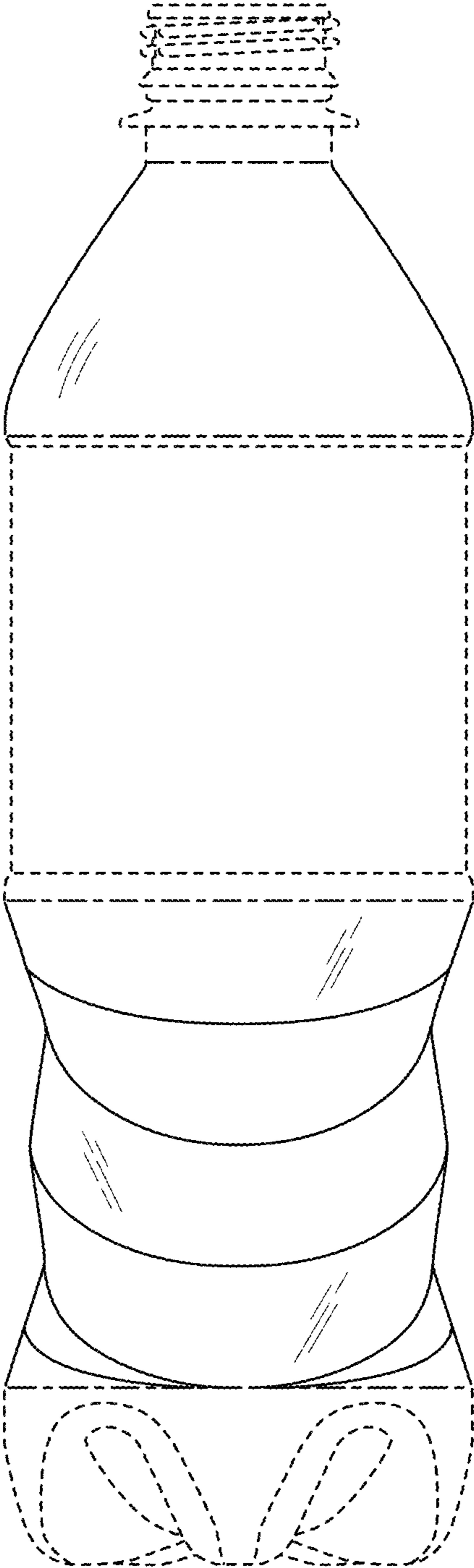


FIG. 5

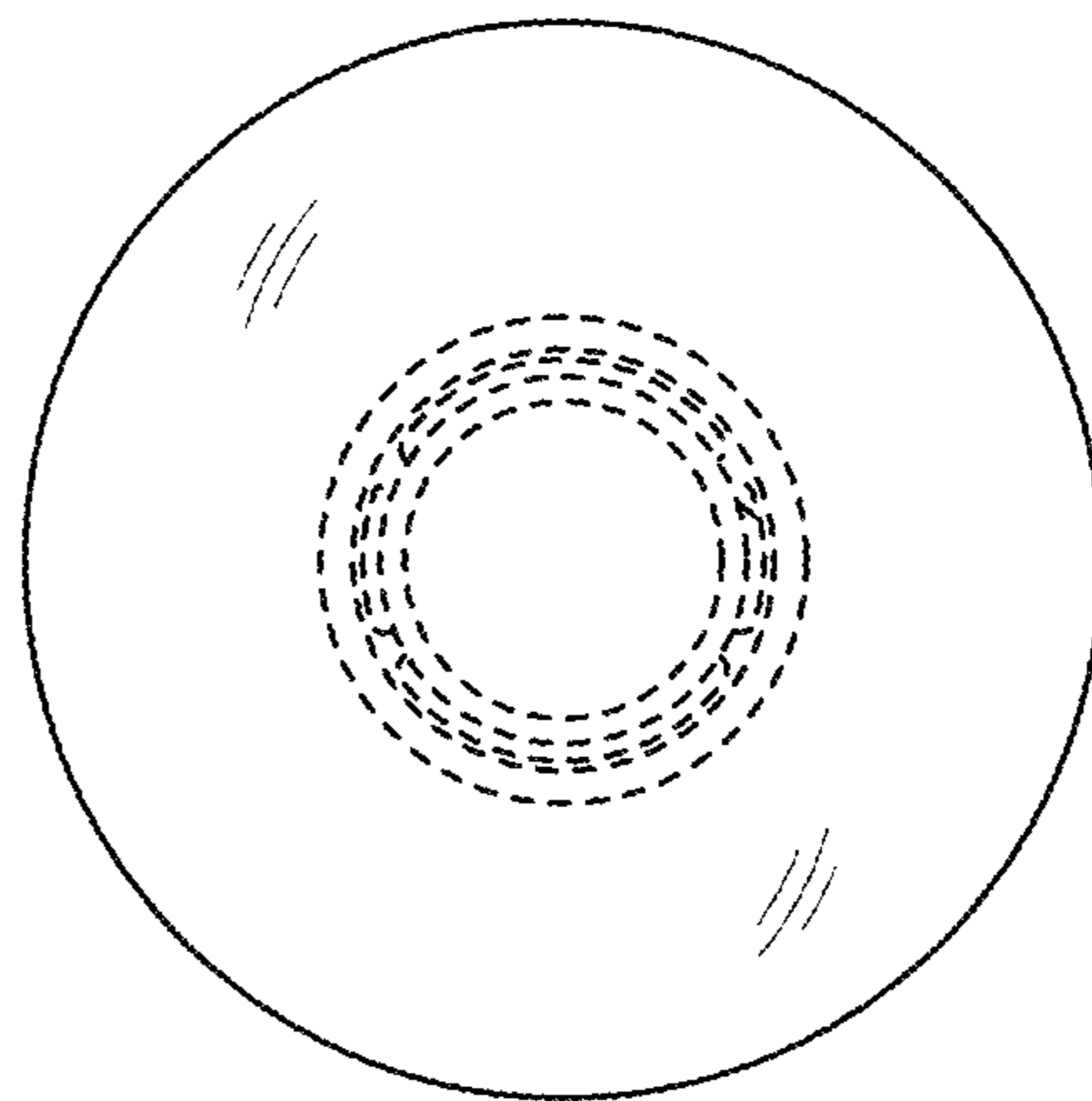


FIG. 6

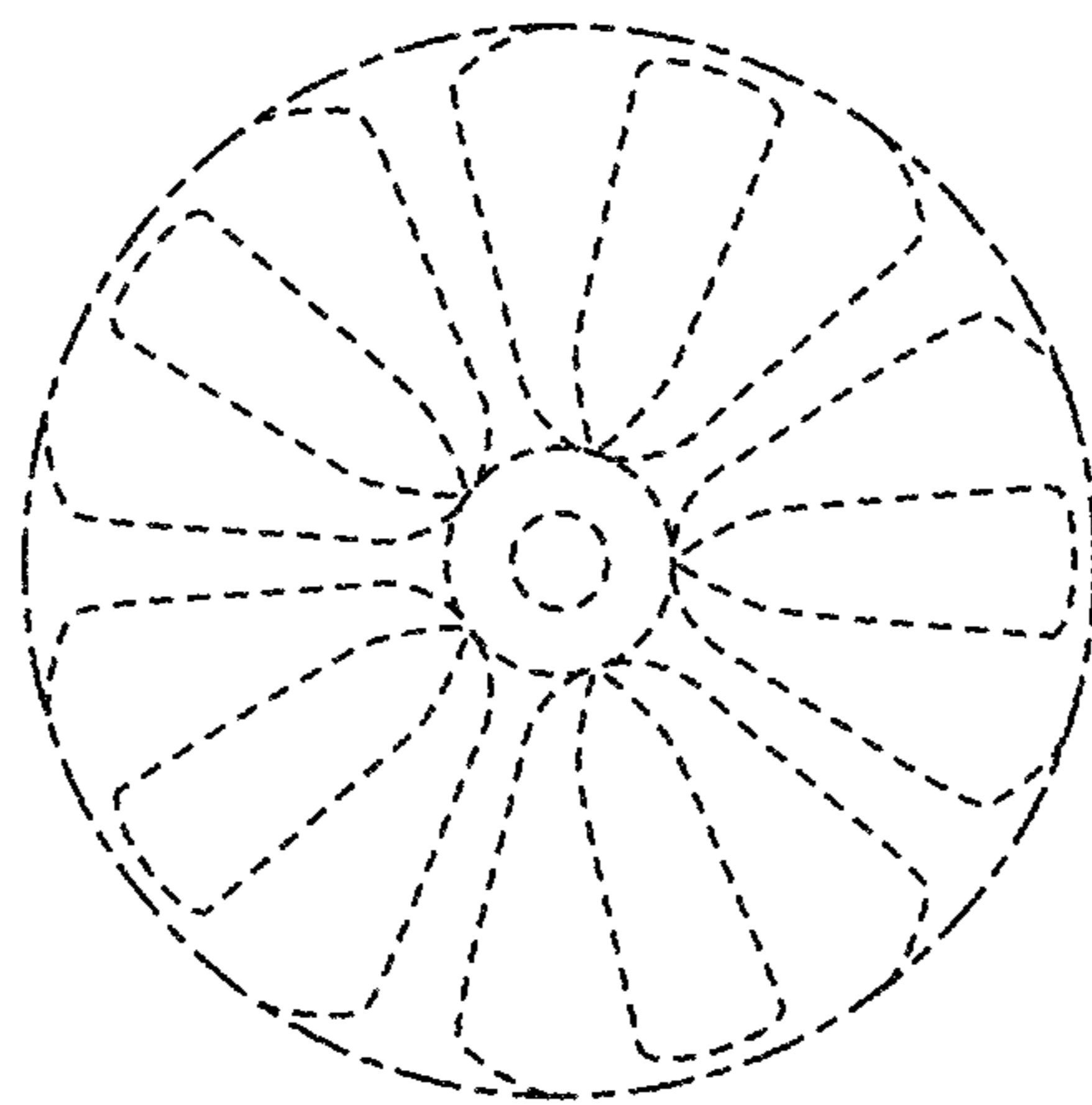


FIG. 7