



US00D719448S

(12) **United States Design Patent**  
**Pires et al.**

(10) **Patent No.:** **US D719,448 S**

(45) **Date of Patent:** **\*\* Dec. 16, 2014**

(54) **FLASK WITH CAP**

(56) **References Cited**

(71) Applicant: **Natura Cosméticos S.A.**, Itaipericica da Serra (BR)

U.S. PATENT DOCUMENTS

(72) Inventors: **Larissa Fortunato Pires**, São Paulo (BR); **Gustavo Senna Chelles**, São Paulo (BR); **Marcio Miranda de Faria**, Vinhedo (BR); **Marilia Gabriela Guerreiro Pinheiro**, Vila Dalila (BR)

D117,843 S *	11/1939	Smith .....	D9/502
D180,820 S *	8/1957	DuPree .....	D7/317
D197,308 S *	1/1964	Starges .....	D9/502
D284,451 S *	7/1986	Fortuna .....	D9/504
D544,352 S *	6/2007	Dittmer et al. ....	D9/504
D545,678 S *	7/2007	Dittmer et al. ....	D9/504
D554,505 S *	11/2007	Gilbert .....	D9/503
D607,734 S *	1/2010	Kuzma et al. ....	D9/539
D607,735 S *	1/2010	Kuzma et al. ....	D9/539
D616,304 S *	5/2010	Prunier et al. ....	D9/504
D619,460 S *	7/2010	Beckerman .....	D9/500
D619,894 S *	7/2010	Ashiwa et al. ....	D9/504
D620,742 S *	8/2010	Lion et al. ....	D7/316
D646,572 S *	10/2011	Koeleman .....	D9/500
D694,122 S *	11/2013	Kawai .....	D9/689
D704,070 S *	5/2014	Pires et al. ....	D9/689

(73) Assignee: **Natura Cosmetics S.A.**, Itaipericica da Serra SP (BR)

(\*\*) Term: **14 Years**

(21) Appl. No.: **29/471,905**

(22) Filed: **Nov. 6, 2013**

FOREIGN PATENT DOCUMENTS

JP D1301541 5/2007

\* cited by examiner

**Related U.S. Application Data**

(62) Division of application No. 29/438,380, filed on Nov. 29, 2012, now Pat. No. Des. 704,070.

*Primary Examiner* — Catherine Tuttle

(74) *Attorney, Agent, or Firm* — B. Aaron Schulman, Esq.; Stites & Harbison, PLLC.

(30) **Foreign Application Priority Data**

May 31, 2012 (BR) ..... 302012002756

(57) **CLAIM**

The ornamental design for a flask with cap, as shown and described.

(51) **LOC (10) Cl.** ..... **09-01**

(52) **U.S. Cl.**  
USPC ..... **D9/504**

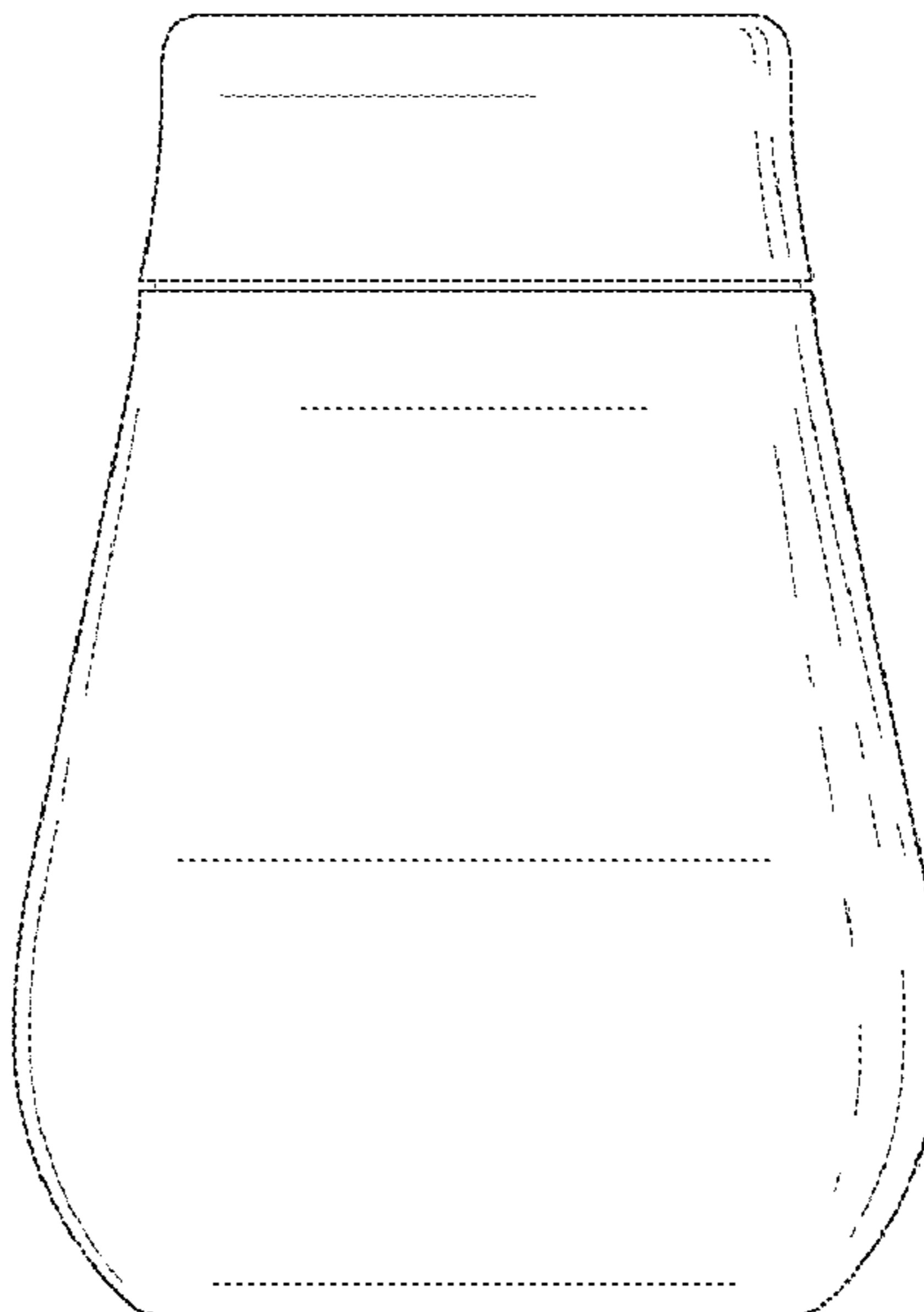
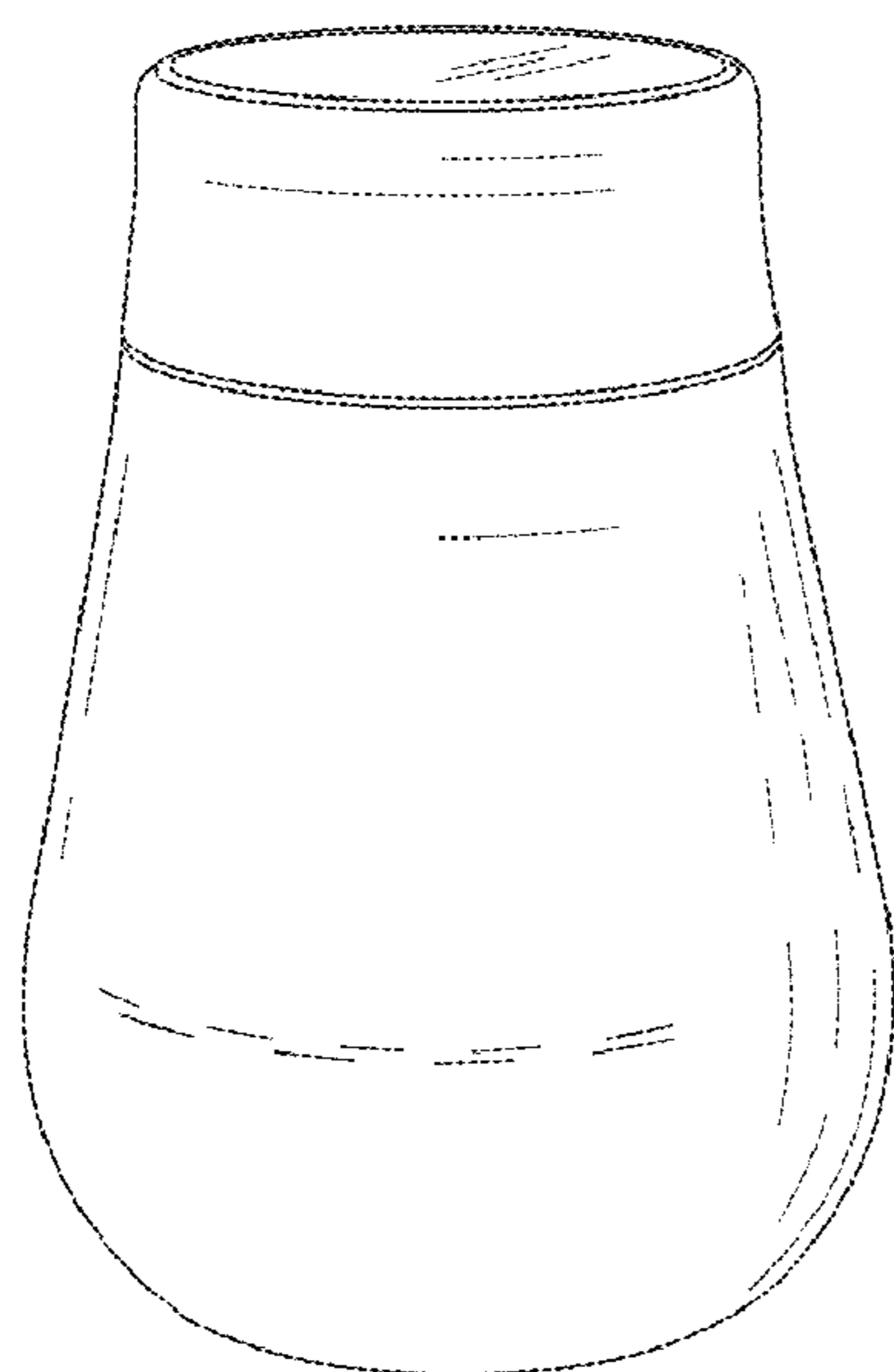
**DESCRIPTION**

(58) **Field of Classification Search**  
CPC ..... B65D 1/0223  
USPC ..... D9/682-694, 500-505, 719, 434-436, D9/414, 424, 428; 215/379, 382; 220/669, 220/675; D28/76, 77, 90, 91.1

FIG. 1 is a perspective view showing our new design for the flask with cap;  
FIG. 2 is a front view thereof;  
FIG. 3 is a back view thereof;  
FIG. 4 is a top view thereof; and,  
FIG. 5 is a bottom view thereof.

See application file for complete search history.

**1 Claim, 1 Drawing Sheet**



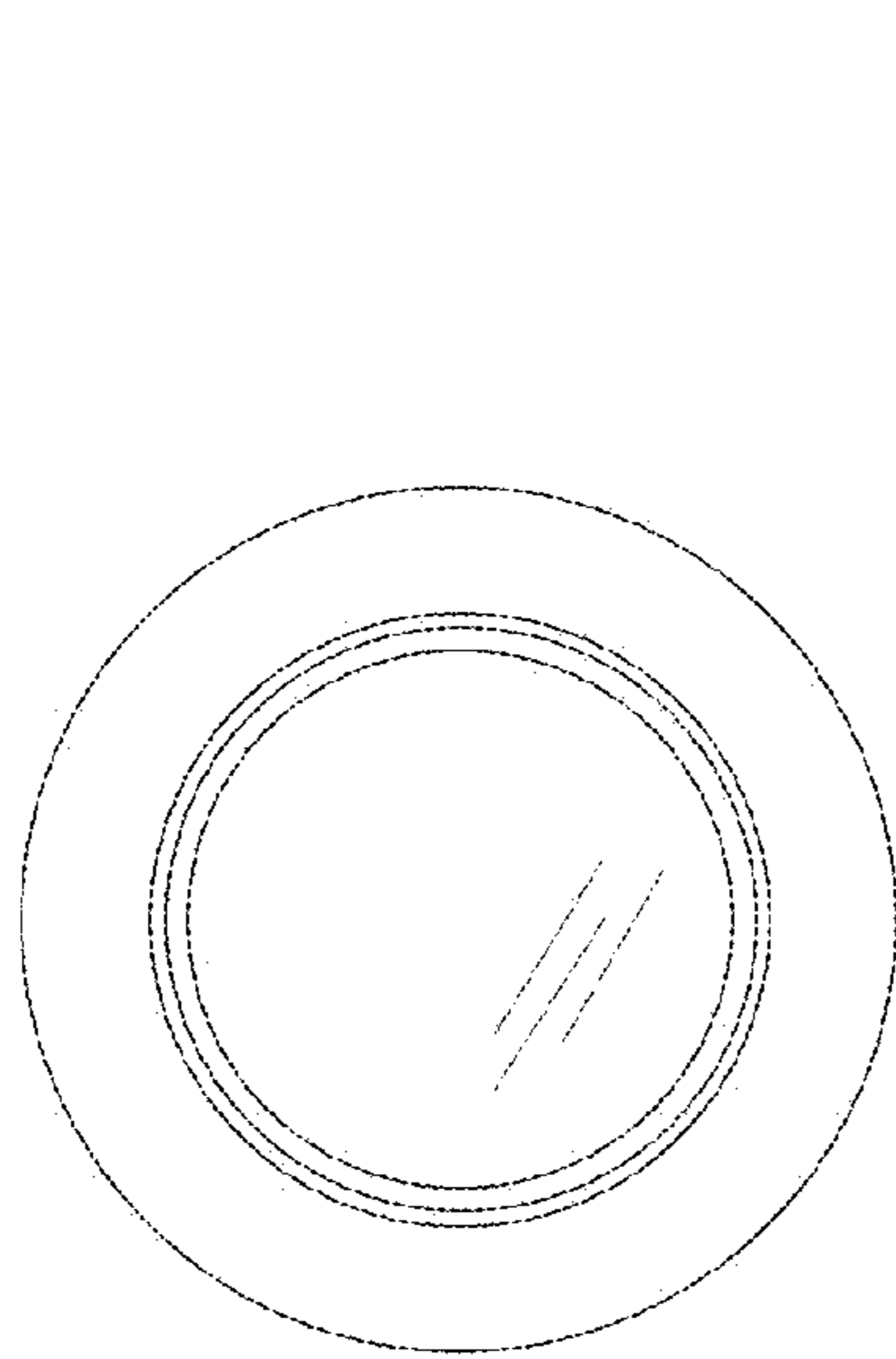


FIG. 4

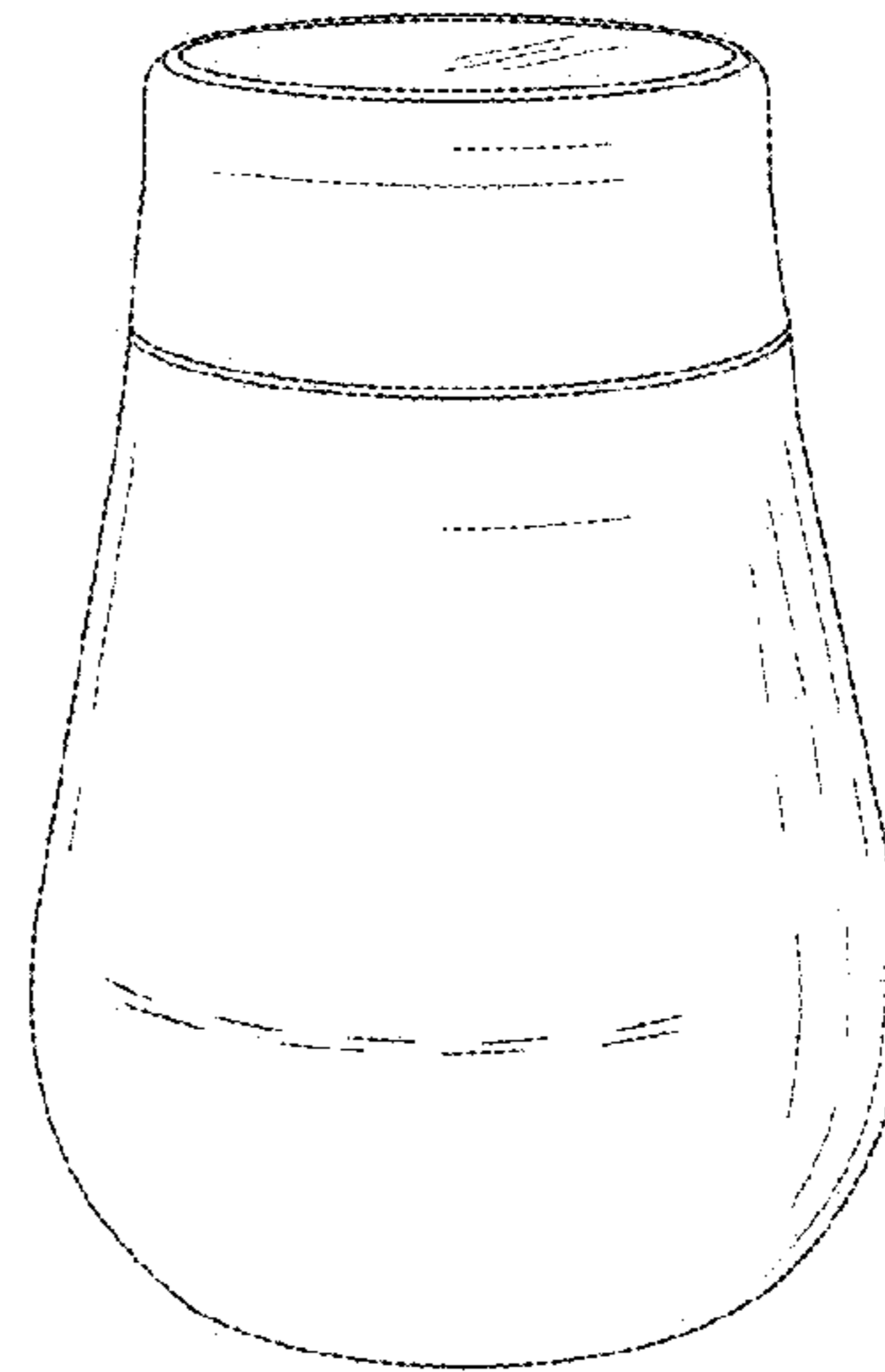


FIG. 1

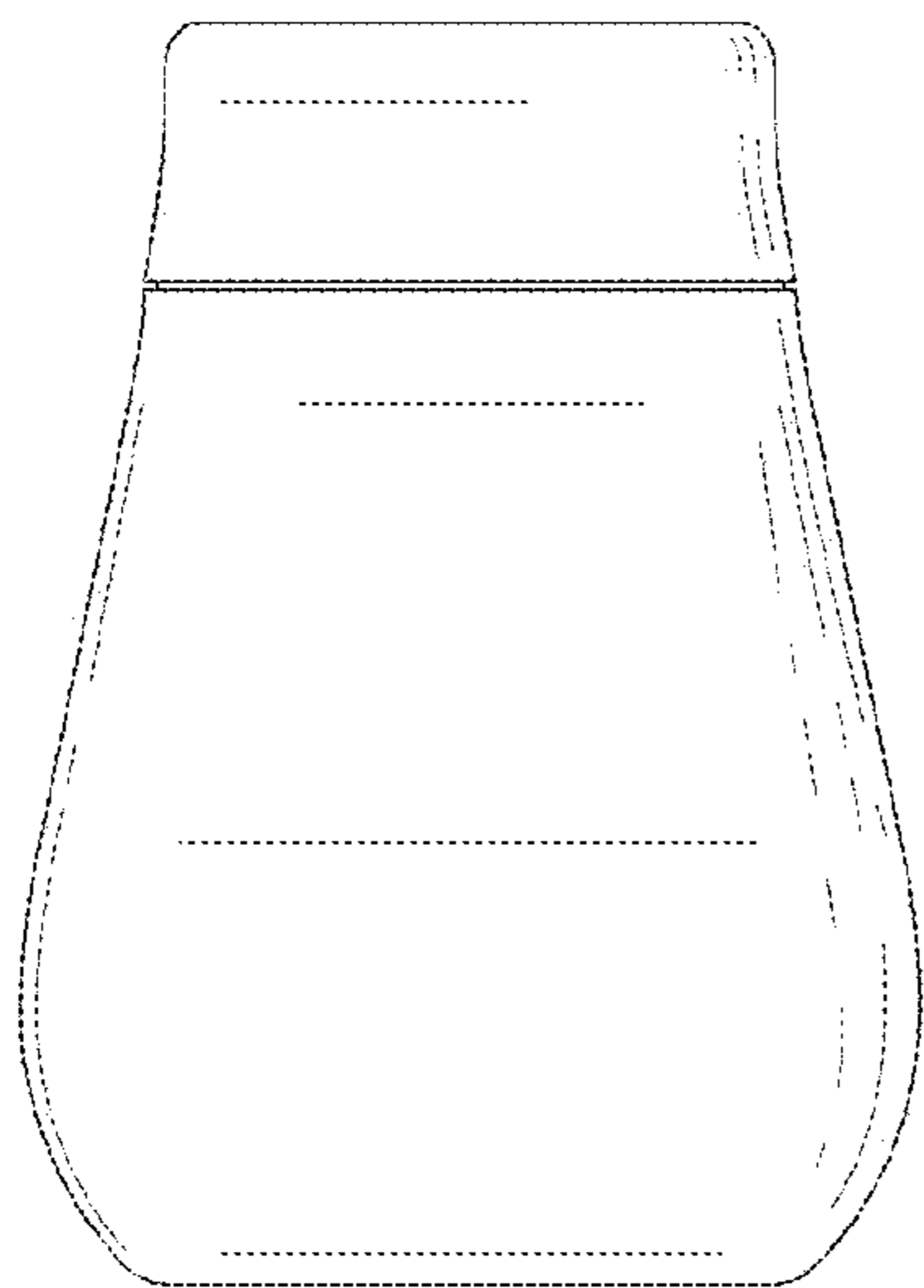


FIG. 2

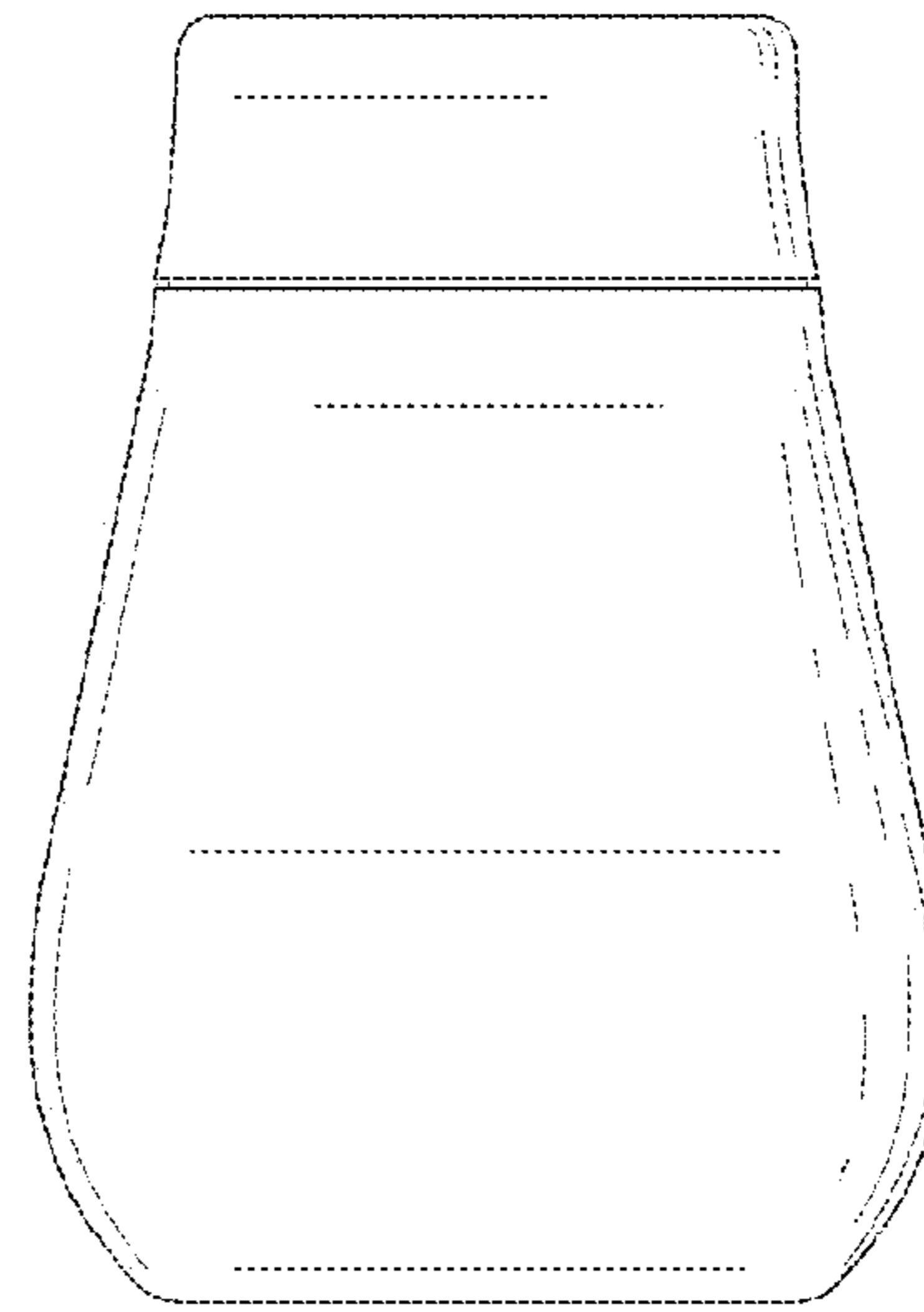


FIG. 3

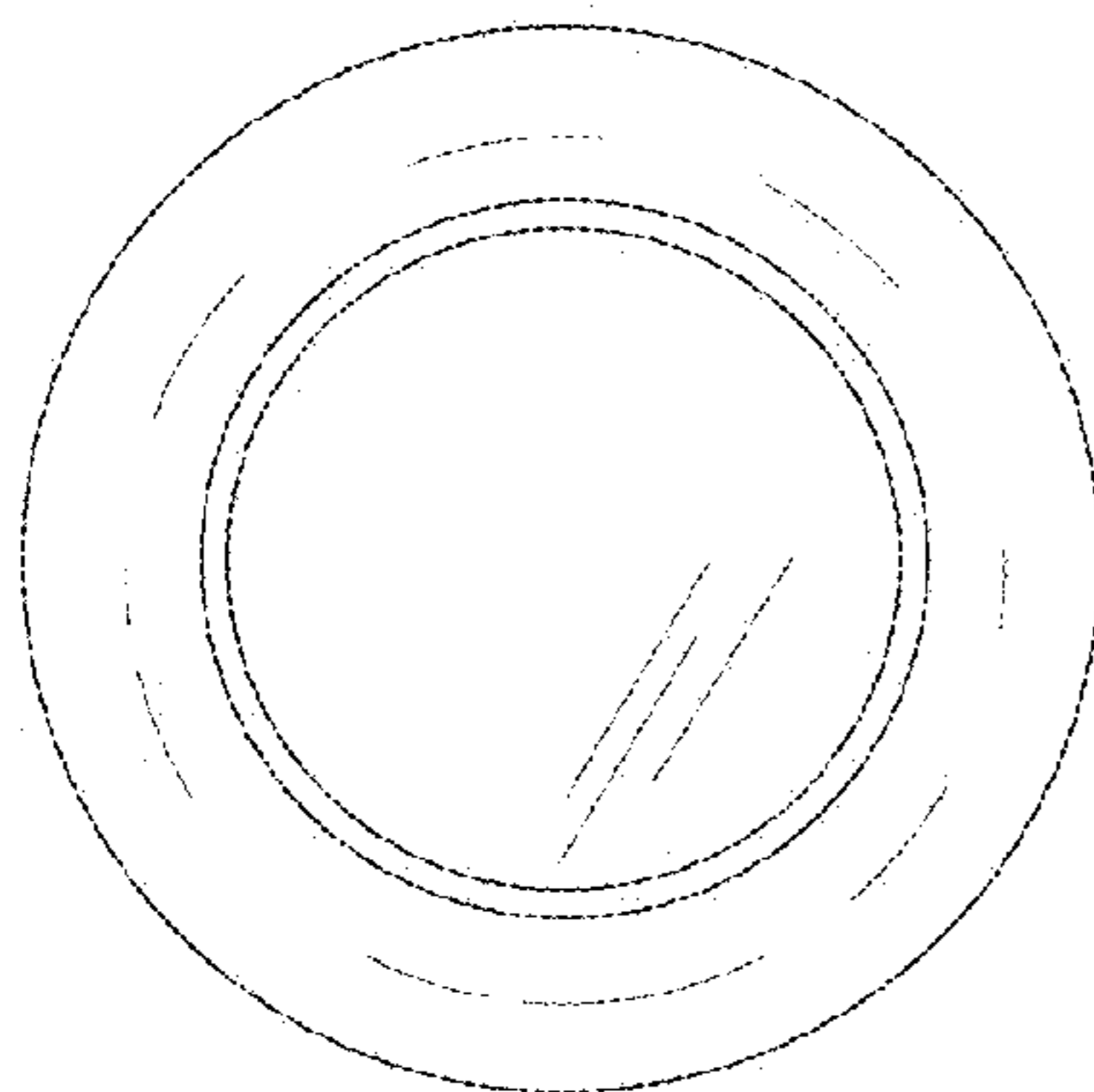


FIG. 5