



US00D719444S

(12) **United States Design Patent**  
**Sullivan**

(10) **Patent No.:** **US D719,444 S**

(45) **Date of Patent:** **\*\* Dec. 16, 2014**

(54) **BEVERAGE CONTAINER CAP DRINK SPOUT**

(71) Applicant: **CamelBak Products, LLC**, Petaluma, CA (US)

(72) Inventor: **Derek Gavin Sullivan**, Oakland, CA (US)

(73) Assignee: **CamelBak Products, LLC**, Petaluma, CA (US)

(\*\*) Term: **14 Years**

(21) Appl. No.: **29/461,791**

(22) Filed: **Jul. 26, 2013**

(51) **LOC (10) Cl.** ..... **09-07**

(52) **U.S. Cl.**  
USPC ..... **D9/447; D9/443**

(58) **Field of Classification Search**  
USPC ..... D7/300, 300.1, 396.2, 510, 511, 531, D7/703; D9/434, 435, 436, 438, 440-445, D9/447, 449; 215/200, 235, 236, 252, 254, 215/329, 355-364; 220/203.04-203.07, 220/203.11, 254.1, 254.4, 556, 703, 704, 220/705, 787, 789

See application file for complete search history.

(56) **References Cited**

U.S. PATENT DOCUMENTS

2,117,407 A 5/1938 Davis  
D133,978 S \* 10/1942 Johnson ..... D9/447  
2,549,225 A 4/1951 Moy  
2,588,275 A 3/1952 Nadai

(Continued)

FOREIGN PATENT DOCUMENTS

WO WO 2012/095491 7/2012

*Primary Examiner* — Robert M Spear

*Assistant Examiner* — Darcey E Heflin

(74) *Attorney, Agent, or Firm* — DASCENZO Intellectual Property Law, P.C.

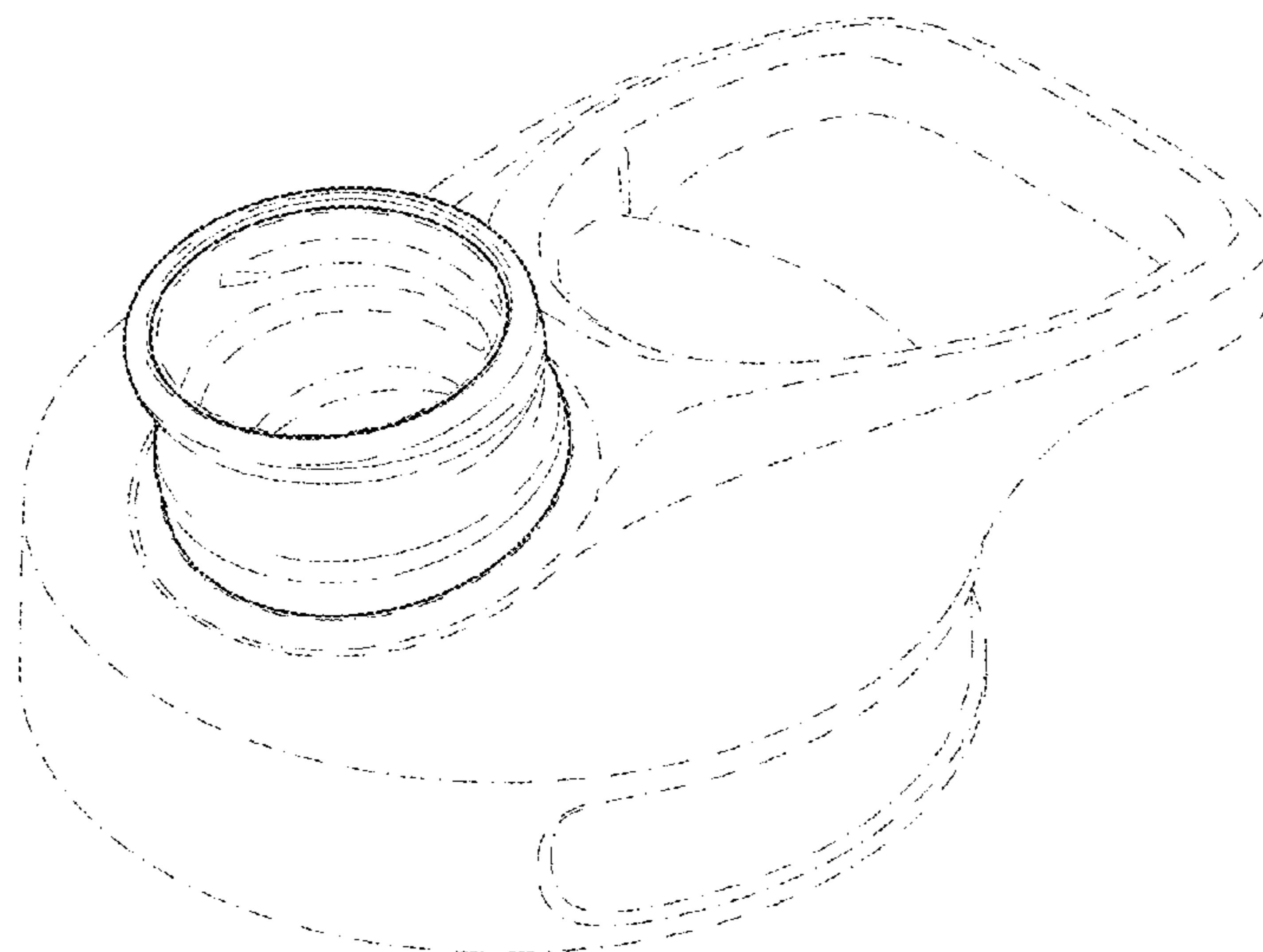
(57) **CLAIM**

The ornamental design for a beverage container cap drink spout, as shown and described.

**DESCRIPTION**

FIG. 1 is a front, top, left isometric view of the new design. FIG. 2 is a rear, top, right isometric view of the new design. FIG. 3 is a left side view of the new design. FIG. 4 is a right side view of the new design. FIG. 5 is a front view of the new design. FIG. 6 is a rear view of the new design. FIG. 7 is a top view of the new design. FIG. 8 is a bottom view of a beverage container cap associated with the new design. FIG. 9 is a front, top, left isometric view of the new design, shown together with an associated liquid container. FIG. 10 is a rear, top, left isometric view of the new design, shown together with an associated liquid container, an associated drink spout cover, and an associated tether, with the drink spout cover in a closed position over the drink spout; and, FIG. 11 is a rear, top, left isometric view of the new design, shown together with an associated drink spout cover and an associated tether, with the drink spout cover in a stowed position removed from the drink spout. The dashed lines shown in the drawings illustrate portions of the drink spout (e.g., the internal structure of the drink spout) that form no part of the presently claimed design (FIGS. 1-2, and 7-11) and illustrate environmental structure of an associated beverage container cap (FIGS. 1-11), an associated liquid container (FIGS. 9-10), an associated drink spout cover (FIGS. 10-11), and an associated tether (FIGS. 10-11) that form no part of the presently claimed design.

**1 Claim, 6 Drawing Sheets**



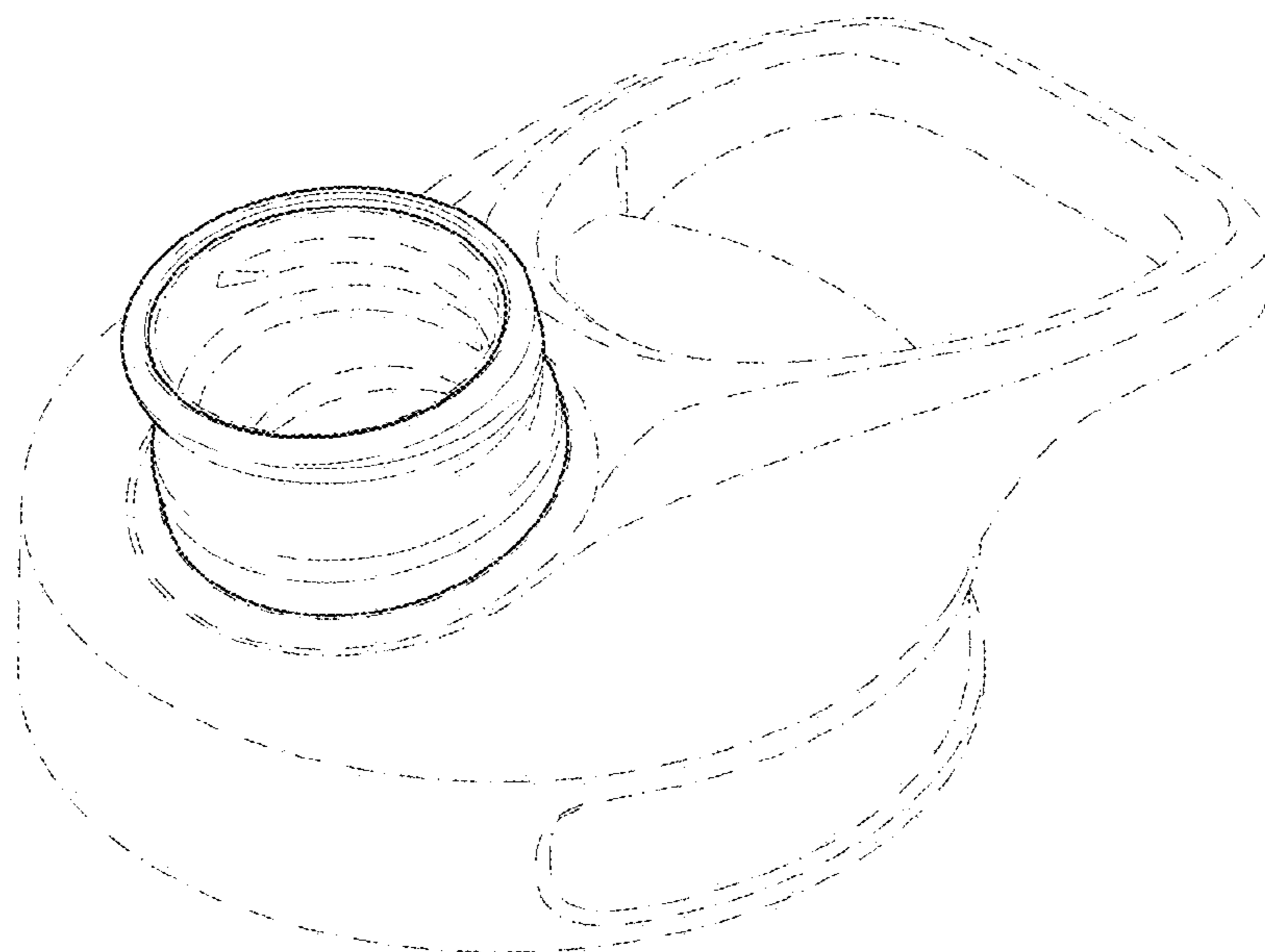
(56)

References Cited

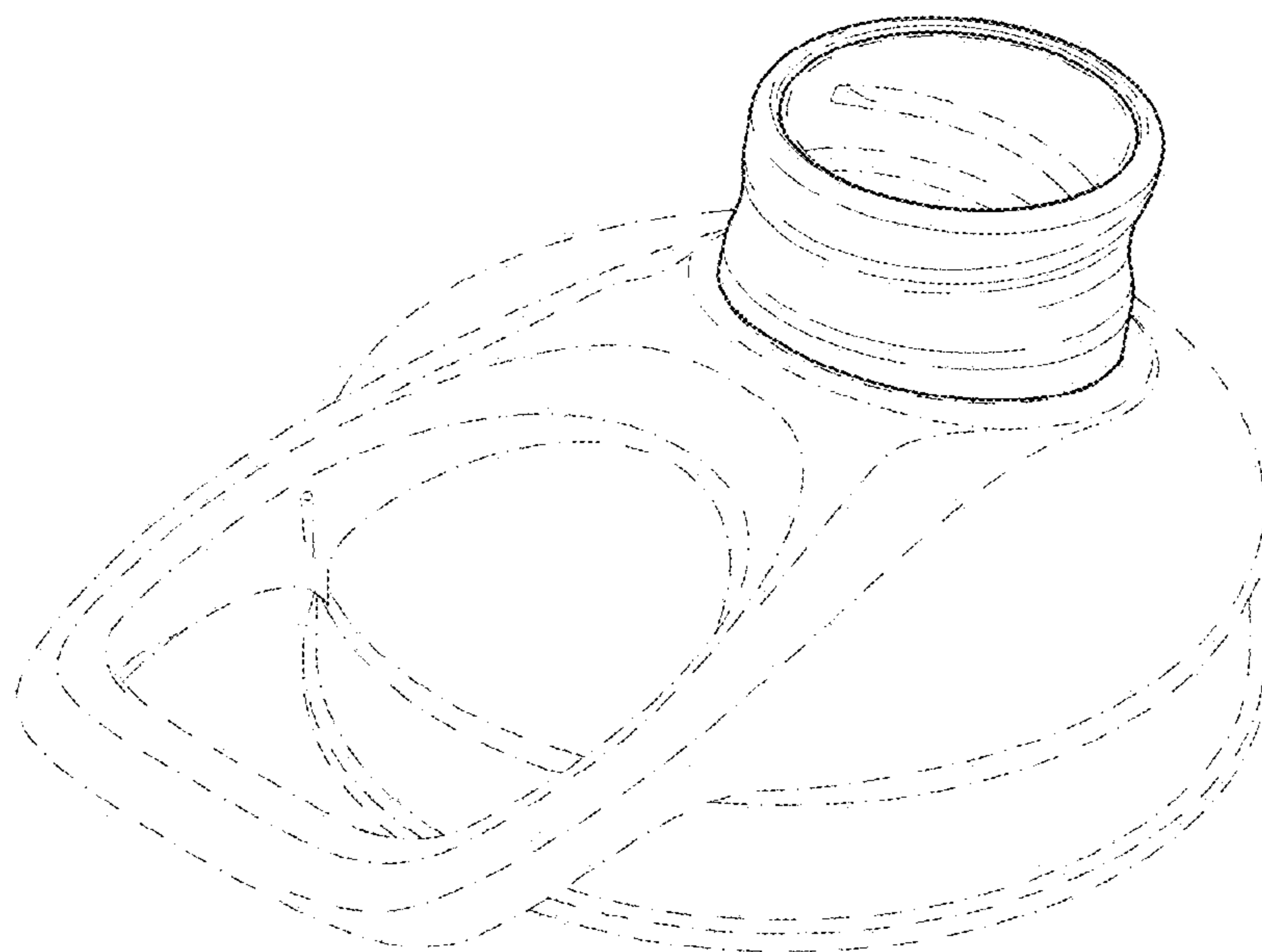
U.S. PATENT DOCUMENTS

2,962,185	A	11/1960	Starr et al.				
3,181,725	A	5/1965	Friedl				
3,307,752	A	3/1967	Anderson				
3,944,104	A	3/1976	Watson et al.				
4,265,363	A	5/1981	Conn				
4,711,365	A	12/1987	Fomby				
D319,981	S *	9/1991	Sledge	.....	D9/447		
5,044,512	A	9/1991	Giancaspro et al.				
5,207,341	A	5/1993	Yeager				
5,244,106	A	9/1993	Takacs				
D368,032	S *	3/1996	Couto	.....	D9/435		
5,597,082	A	1/1997	Luch et al.				
D399,744	S *	10/1998	Gross	.....	D9/447		
5,947,310	A	9/1999	Wagner				
6,032,829	A	3/2000	Geisinger et al.				
6,079,589	A	6/2000	Matsuyama et al.				
6,112,926	A	9/2000	Fishman				
6,131,755	A	10/2000	Soyka, Jr. et al.				
6,230,944	B1	5/2001	Castellano et al.				
D457,779	S *	5/2002	Gullickson et al.	.....	D7/392.1		
D471,808	S *	3/2003	de Castro Couto	.....	D9/435		
6,648,158	B1	11/2003	Lawrence				
6,675,998	B2	1/2004	Forsman et al.				
D489,613	S *	5/2004	Campbell et al.	.....	D9/447		
7,014,077	B2	3/2006	Brown				
D547,607	S	7/2007	Forsman				
D565,353	S	4/2008	Roth et al.				
7,448,509	B2	11/2008	Yang				
D586,184	S	2/2009	Miller et al.				
D592,913	S	5/2009	Pinelli et al.				
7,533,783	B2	5/2009	Choi et al.				
D605,942	S	12/2009	Miksovsky				
D612,731	S	3/2010	Bragg				
D614,440	S	4/2010	Cresswell et al.				
7,753,240	B2	7/2010	Leoncavallo et al.				
D626,837	S	11/2010	Meyers et al.				
D626,838	S	11/2010	Meyers et al.				
7,866,183	B2	1/2011	Roth et al.				
7,870,968	B2	1/2011	Hanson				
D634,161	S	3/2011	Roth et al.				
D636,671	S *	4/2011	Lohrman et al.	.....	D9/438		
D640,093	S	6/2011	Picozza et al.				
D641,623	S *	7/2011	Fields	.....	D9/435		
7,980,403	B2	7/2011	Martinez				
D643,718	S *	8/2011	Fields	.....	D9/435		
8,051,997	B2	11/2011	Buckley				
D649,879	S	12/2011	Gullickson et al.				
D652,256	S	1/2012	Eyal				
8,091,724	B2	1/2012	King				
D654,793	S	2/2012	Rosbach				
D657,618	S	4/2012	Wahl				
D657,994	S	4/2012	Wahl et al.				
8,191,727	B2	6/2012	Davies et al.				
8,245,870	B2	8/2012	McKinney et al.				
D669,310	S	10/2012	Barreto et al.				
8,328,037	B2	12/2012	Wu				
8,371,244	B2	2/2013	Krasner				
D678,717	S *	3/2013	Yasui	.....	D7/396.2		
D679,541	S	4/2013	Samartgis				
D682,034	S	5/2013	El-Saden et al.				
8,443,993	B1	5/2013	Desselle				
8,443,994	B1	5/2013	Desselle				
D683,581	S	6/2013	Archer				
8,469,226	B2	6/2013	Davies et al.				
2005/0011897	A1	1/2005	Stuart				
2005/0274741	A1	12/2005	Cho				
2007/0039959	A1	2/2007	Choi et al.				
2008/0017642	A1	1/2008	King				
2008/0078200	A1	4/2008	Roth et al.				
2008/0087624	A1	4/2008	Buckley				
2008/0142466	A1	6/2008	Balitski				
2009/0152231	A1	6/2009	Hanson				
2009/0236341	A1	9/2009	McKinney et al.				
2009/0250426	A1	10/2009	Martinez				
2011/0127232	A1	6/2011	Willows et al.				
2011/0284541	A1	11/2011	Webster et al.				
2012/0298614	A1	11/2012	Nelson				

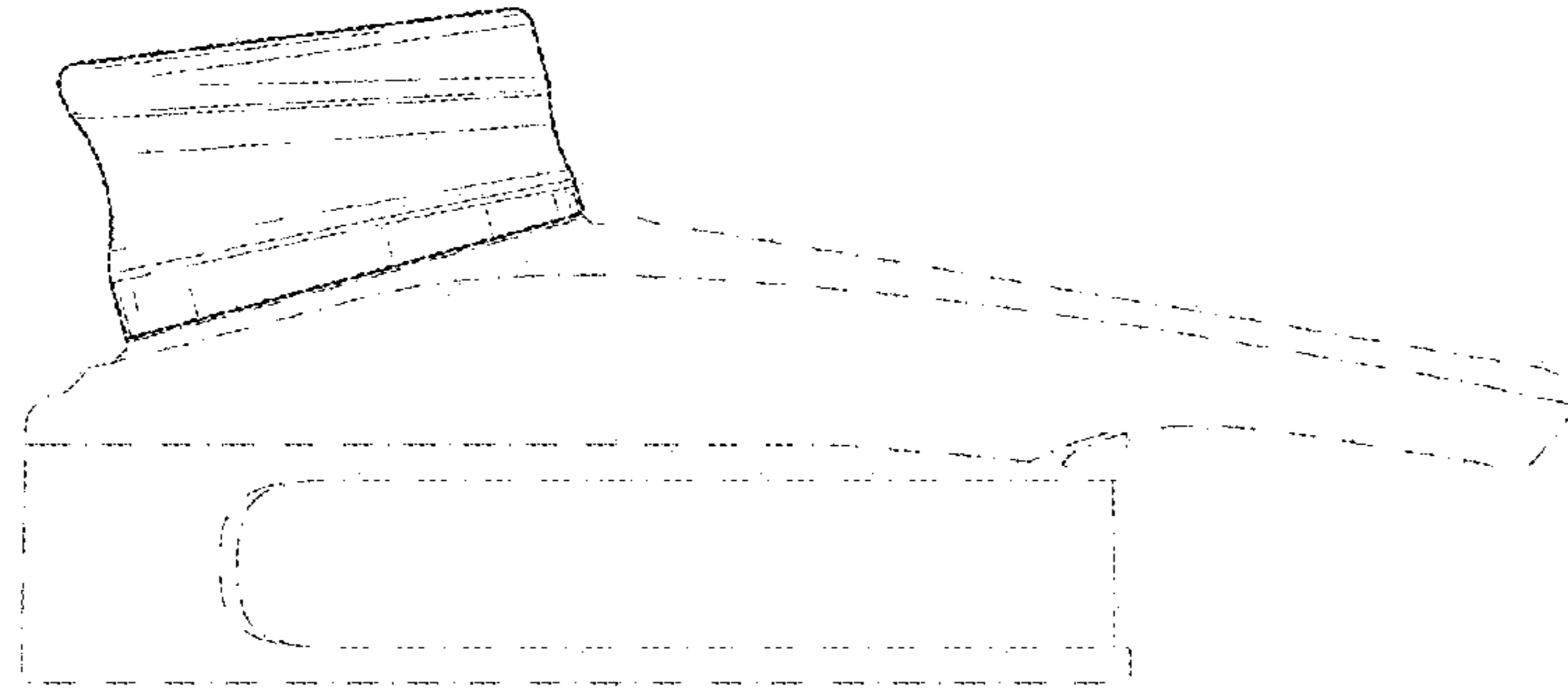
\* cited by examiner



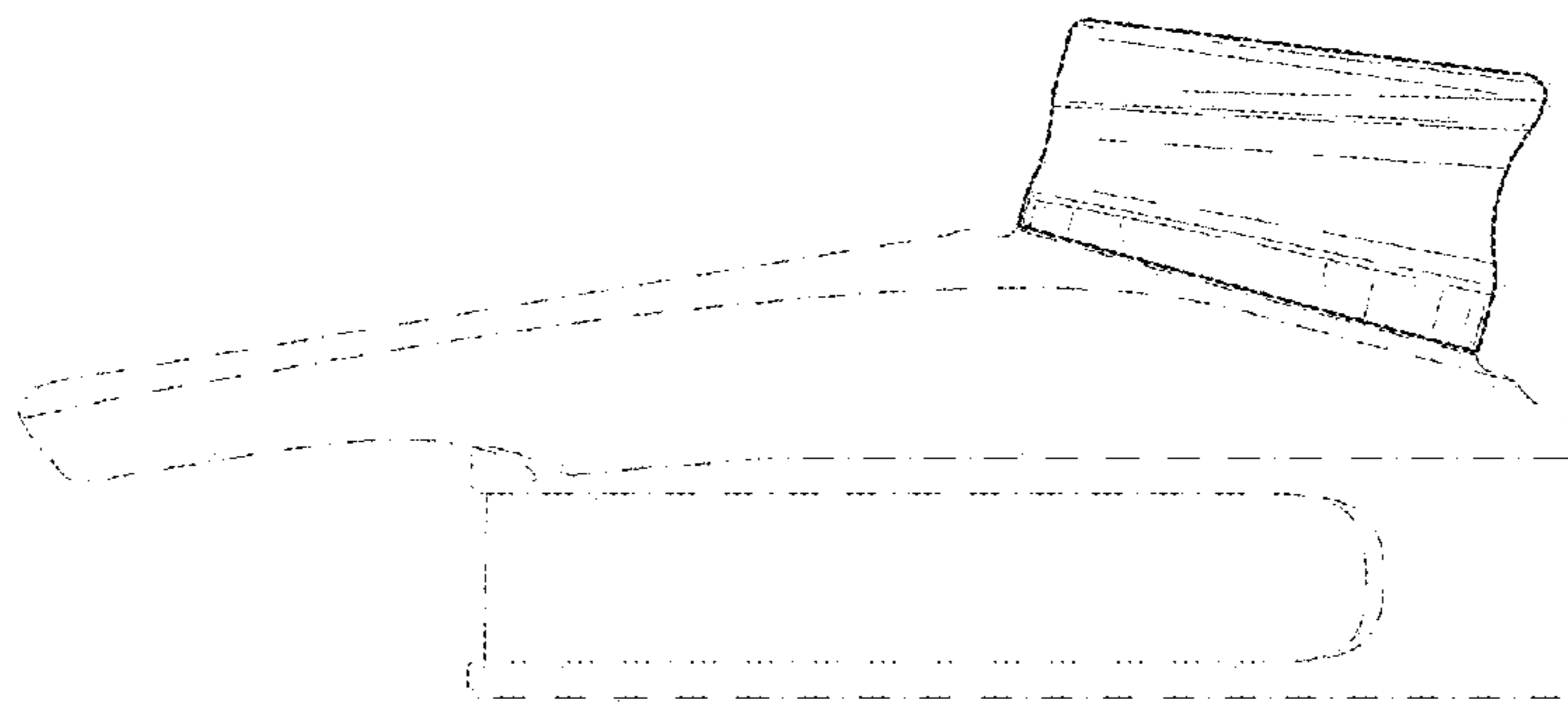
*Fig. 1*



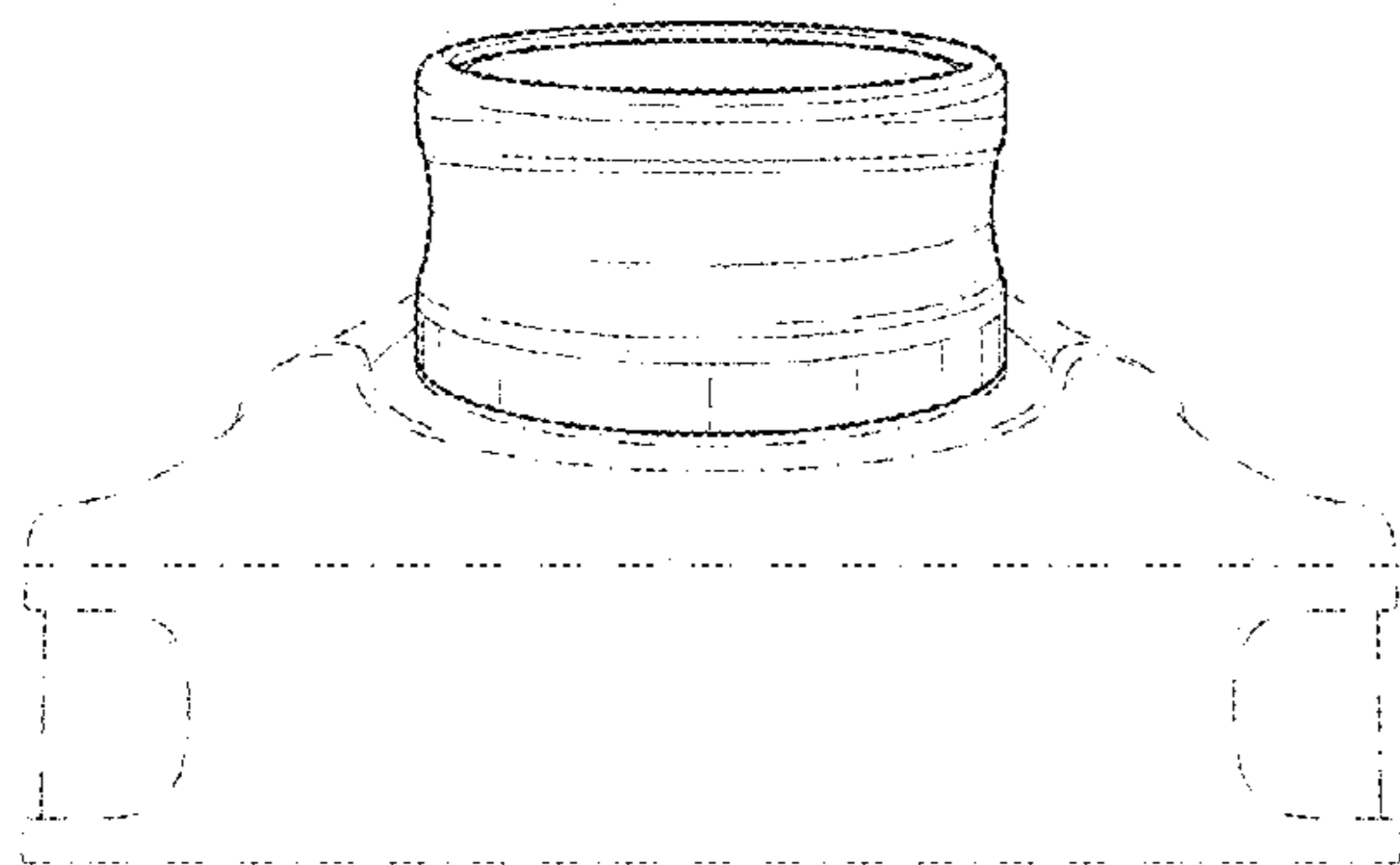
*Fig. 2*



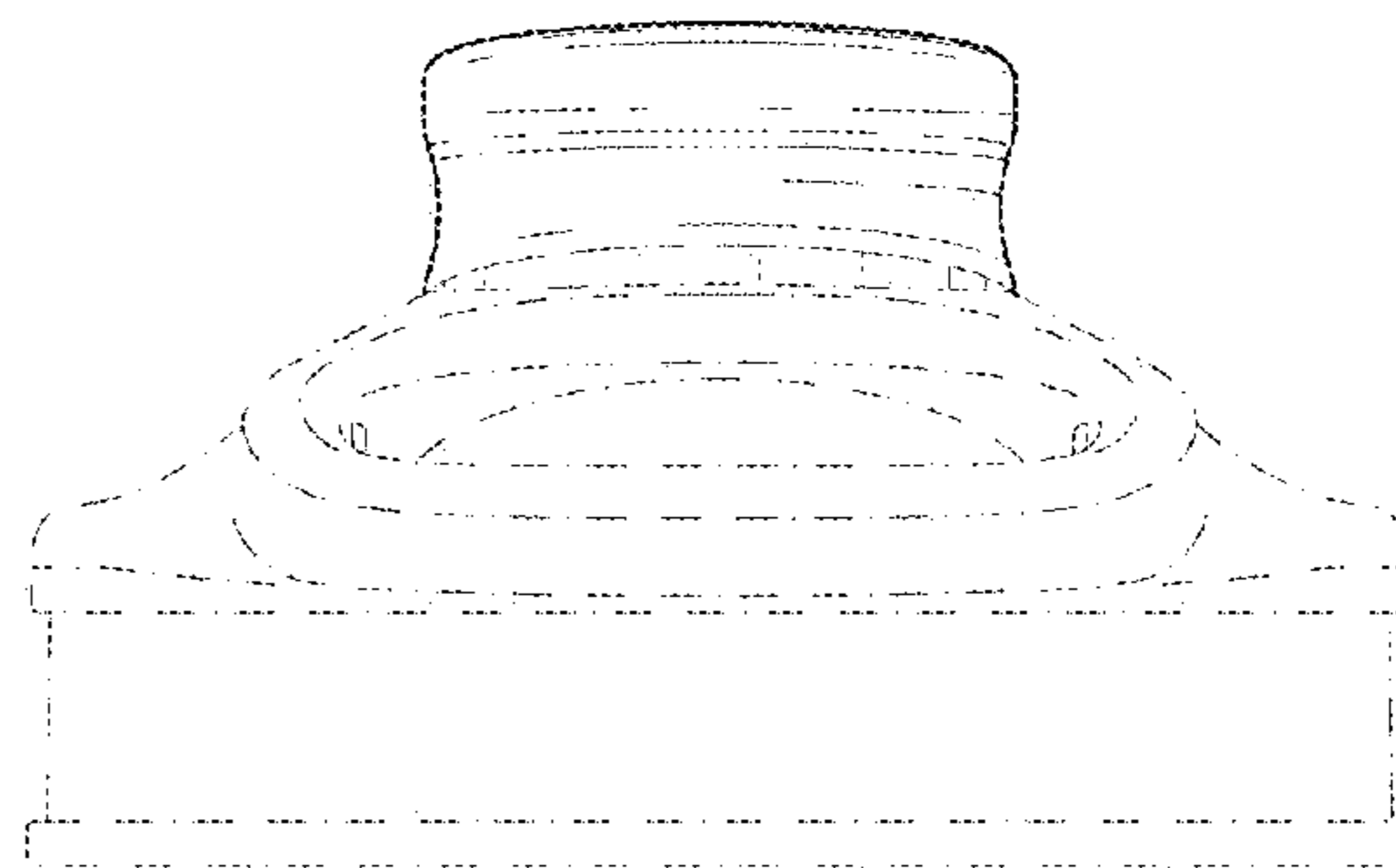
*Fig. 3*



*Fig. 4*

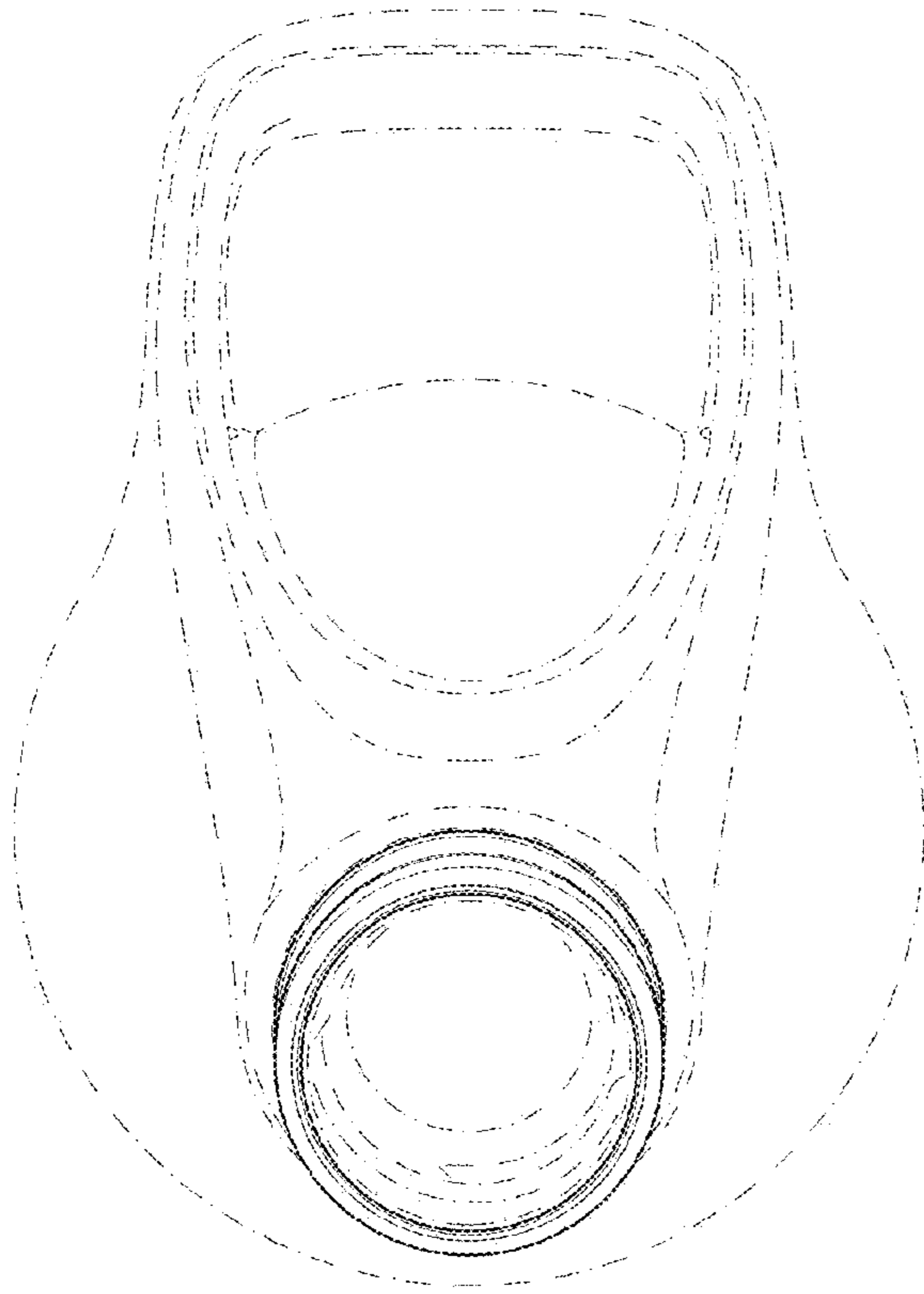


*Fig. 5*

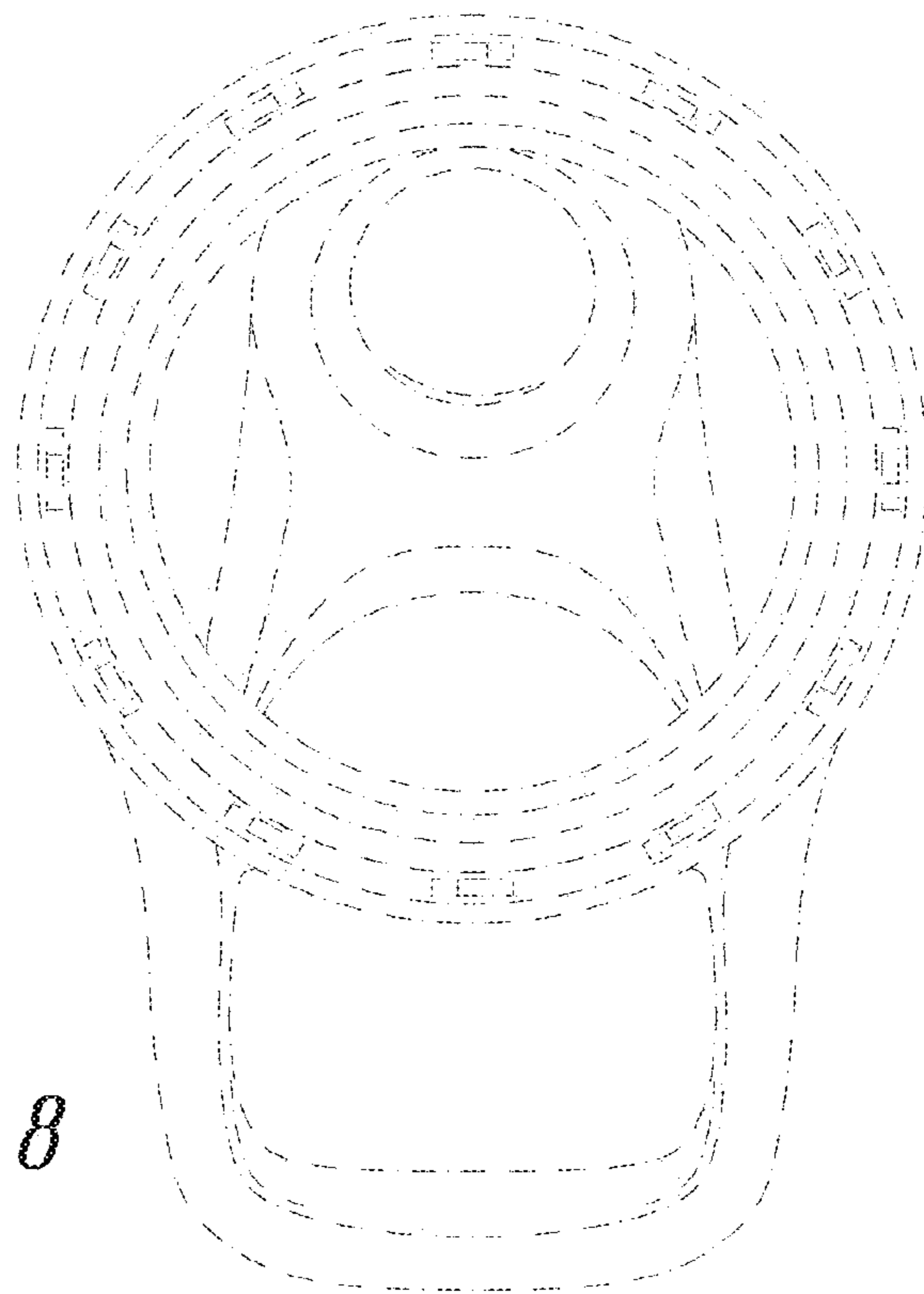


*Fig. 6*

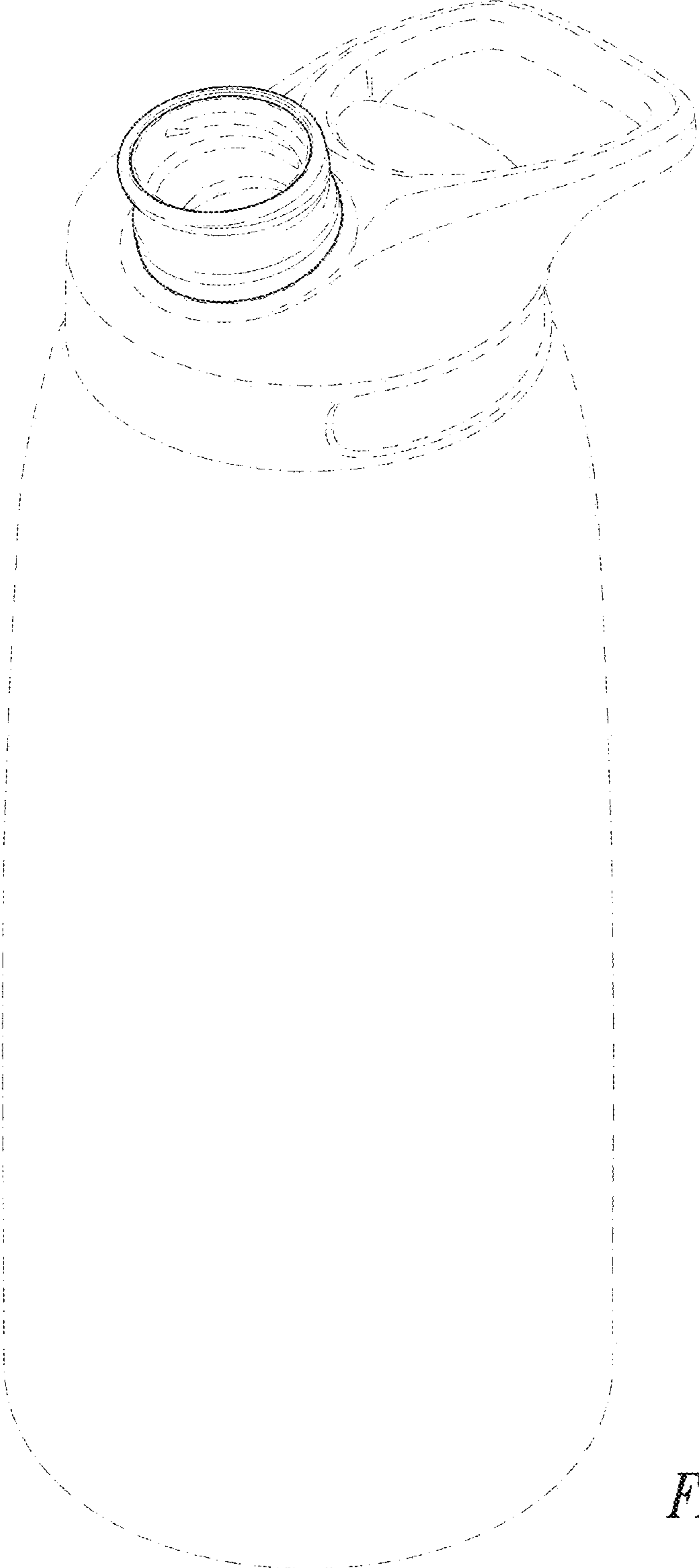




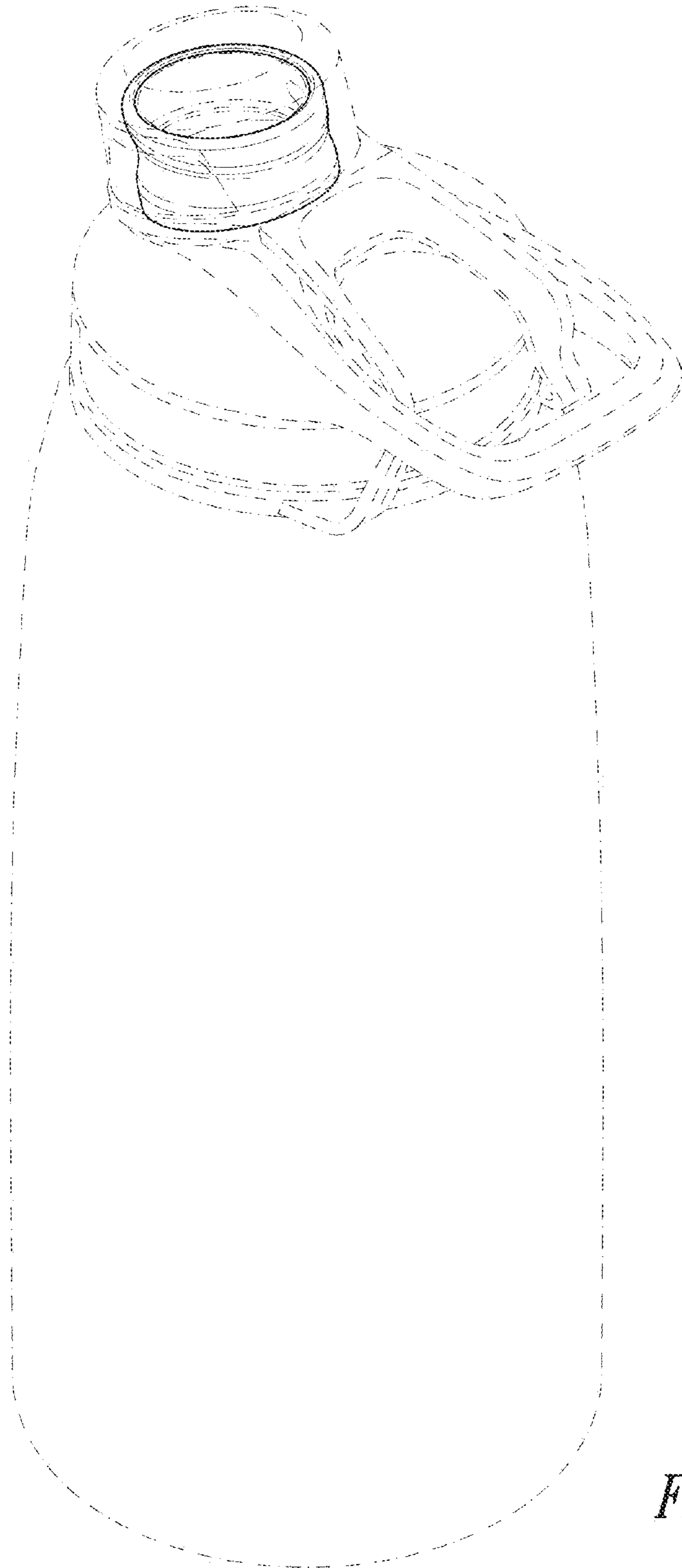
*Fig. 7*



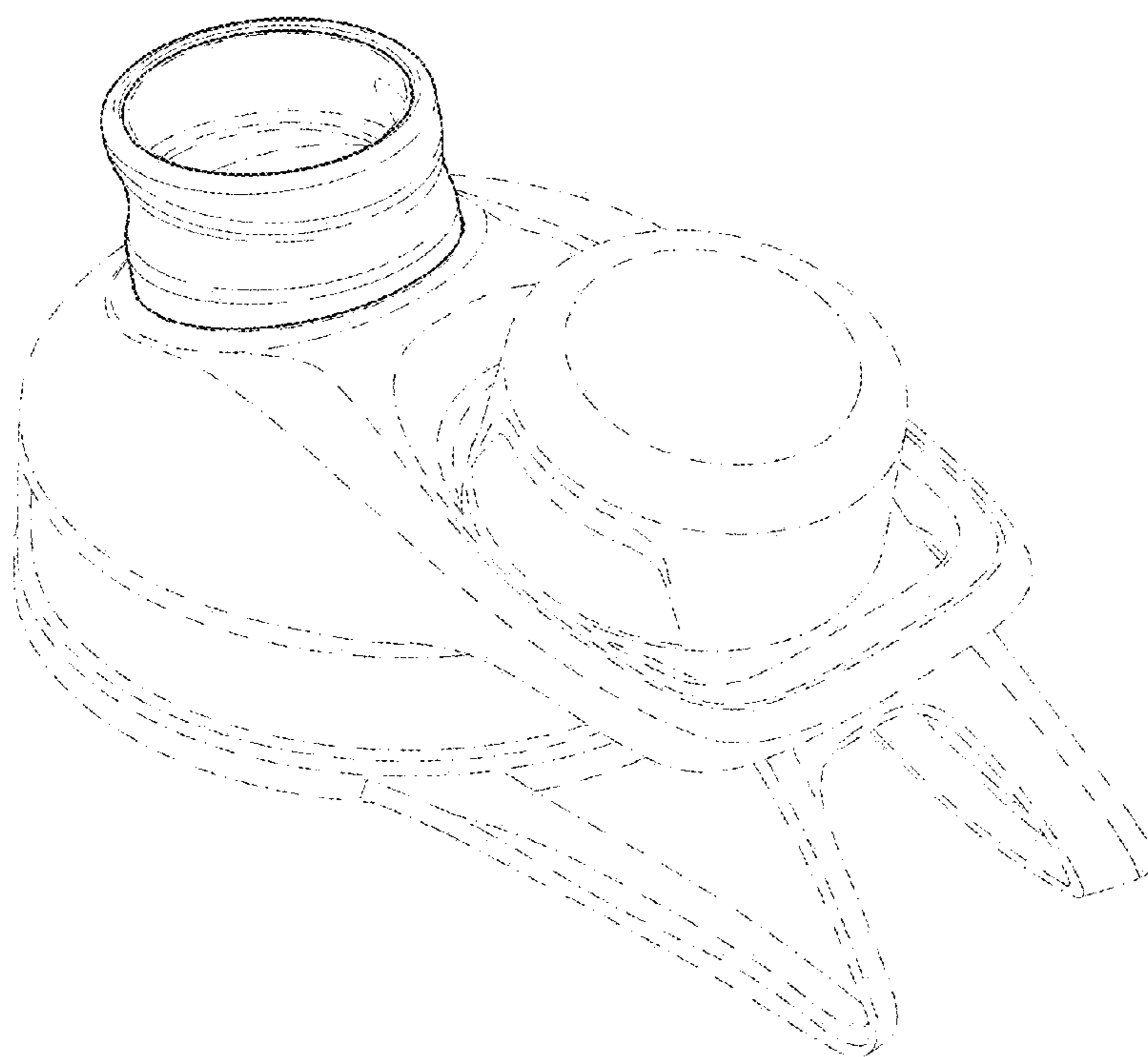
*Fig. 8*



*Fig. 9*



*Fig. 10*



*Fig. 11*