



US00D719443S

(12) **United States Design Patent**
Jones et al.

(10) **Patent No.:** **US D719,443 S**
(45) **Date of Patent:** **** Dec. 16, 2014**

(54) **DISPENSING PACKAGE**

FOREIGN PATENT DOCUMENTS

(71) Applicant: **Ethicon, Inc.**, Somerville, NJ (US)
(72) Inventors: **Romont Jones**, Old Bridge, NJ (US);
Manfred Vollmer, Schwarzenbek (DE);
Denise Griffiths, Hamburg (DE)
(73) Assignee: **Ethicon, Inc.**, Somerville, NJ (US)

EP 1688105 8/2006

* cited by examiner

Primary Examiner — Susan Bennett Hattan

Assistant Examiner — Vy Koenig

(74) *Attorney, Agent, or Firm* — E. Richard Skula

(**) Term: **14 Years**

(57) **CLAIM**

The ornamental design for a dispensing package, as shown and described.

(21) Appl. No.: **29/485,326**

(22) Filed: **Mar. 18, 2014**

(51) **LOC (10) Cl.** **09-03**

(52) **U.S. Cl.**
USPC **D9/433**

DESCRIPTION

(58) **Field of Classification Search**
CPC B29L 2031/7162; B29L 2031/7164;
B29L 2031/7166; B65D 1/22; B65D 1/34;
B65D 5/00; B65D 5/002; B65D 5/00025;
B65D 5/067–5/069; B65D 5/20; B65D 5/24;
B65D 5/42; B65D 5/46; B65D 5/64; B65D
5/72; B65D 5/74; B65D 21/00; B65D 43/162;
B65D 81/02; B65D 81/3813; B65D 71/12;
B65D 71/40; B65D 71/46
USPC D9/415–419, 420–425, 428, 429–435,
D9/444, 455–457; D19/1–3, 9–11, 86;
D7/538–542, 601, 602; D20/22, 42, 43
See application file for complete search history.

FIG. 1 is a perspective view of a dispensing package showing our new design;
FIG. 2 is a front plan view of the dispensing package shown in FIG. 1 (the back view being a mirror image);
FIG. 3 is a top view of the dispensing package shown in FIG. 1;
FIG. 4 is a bottom view of the dispensing package shown in FIG. 1;
FIG. 5 is a left side view of the dispensing package shown in FIG. 1;
FIG. 6 is a right side view of the dispensing package shown in FIG. 1;
FIG. 7 is a perspective view of the dispensing package shown in FIG. 1 after being folded;
FIG. 8 is a perspective view of the dispensing package shown in FIG. 1 after being folded with a front flap folded down;
FIG. 9 is a perspective view of a dispensing package, in accordance with a second embodiment of the present invention showing our new design.
FIG. 10 is a front plan view of the dispensing package shown in FIG. 9 (the back view being a mirror image);
FIG. 11 is a top view of the dispensing package shown in FIG. 9;
FIG. 12 is a bottom view of the dispensing package shown in FIG. 9;
FIG. 13 is a left side view of the dispensing package shown in FIG. 9;

(56) **References Cited**

U.S. PATENT DOCUMENTS

D327,638 S * 7/1992 Denkin D9/705
D363,083 S * 10/1995 Thompson et al. D19/3
5,972,008 A 10/1999 Kalinski et al.
D508,946 S * 8/2005 Sato D19/3
D652,294 S * 1/2012 Seneca et al. D9/433
D665,665 S * 8/2012 Seneca et al. D9/433
D710,689 S * 8/2014 Palmer D9/433
D710,690 S * 8/2014 Palmer D9/433
2011/0308983 A1 12/2011 Dacey et al.

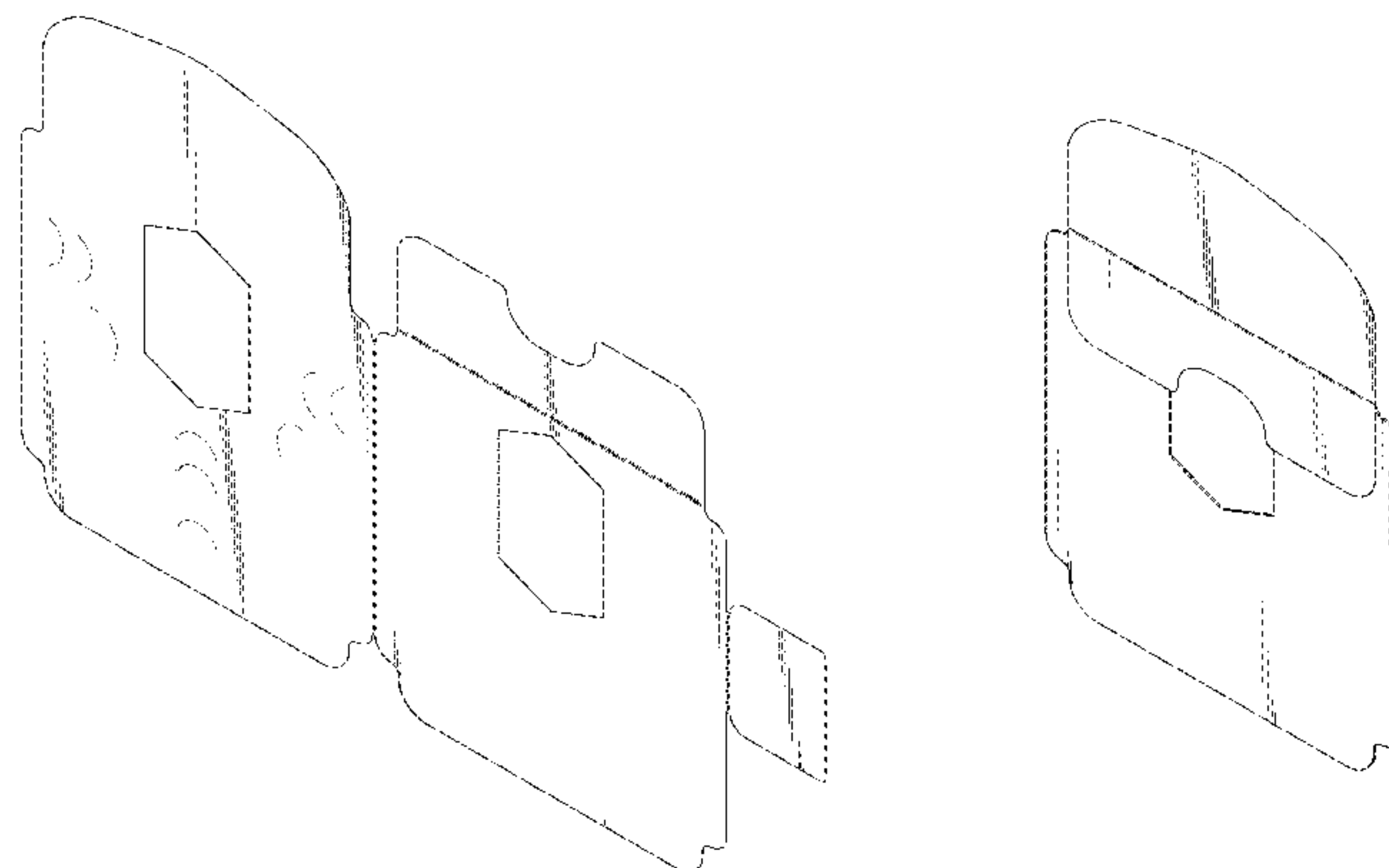


FIG. 14 is a right side view of the dispensing package shown in FIG. 9;

FIG. 15 is a perspective view of the dispensing package shown in FIG. 9 after being folded;

FIG. 16 is a perspective view of the dispensing package shown in FIG. 9 after being folded with a front flap folded down;

FIG. 17 is a perspective view of a dispensing package, in accordance with a third embodiment of the present invention showing our new design.

FIG. 18 is a front plan view of the dispensing package shown in FIG. 17 (the back view being a mirror image);

FIG. 19 is a top view of the dispensing package shown in FIG. 17;

FIG. 20 is a bottom view of the dispensing package shown in FIG. 17;

FIG. 21 is a left side view of the dispensing package shown in FIG. 17;

FIG. 22 is a right side view of the dispensing package shown in FIG. 17;

FIG. 23 is a perspective view of the dispensing package shown in FIG. 17 after being folded; and,

FIG. 24 is a perspective view of the dispensing package shown in FIG. 17 after being folded with a front flap folded down.

The broken lines in the drawings represent elements of the dispensing package that form no part of the claimed design.

1 Claim, 15 Drawing Sheets

FIG. 1

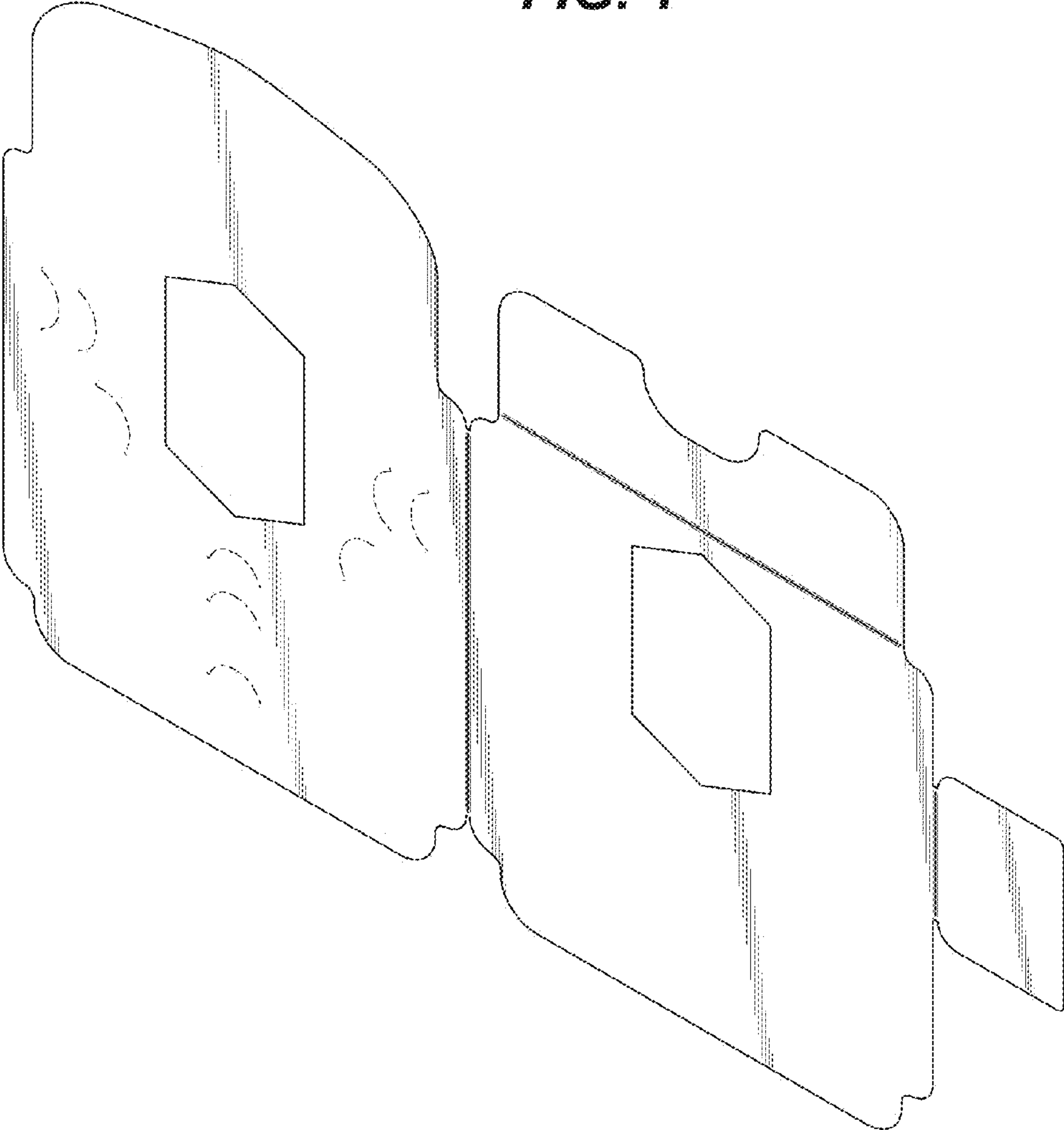


FIG. 2

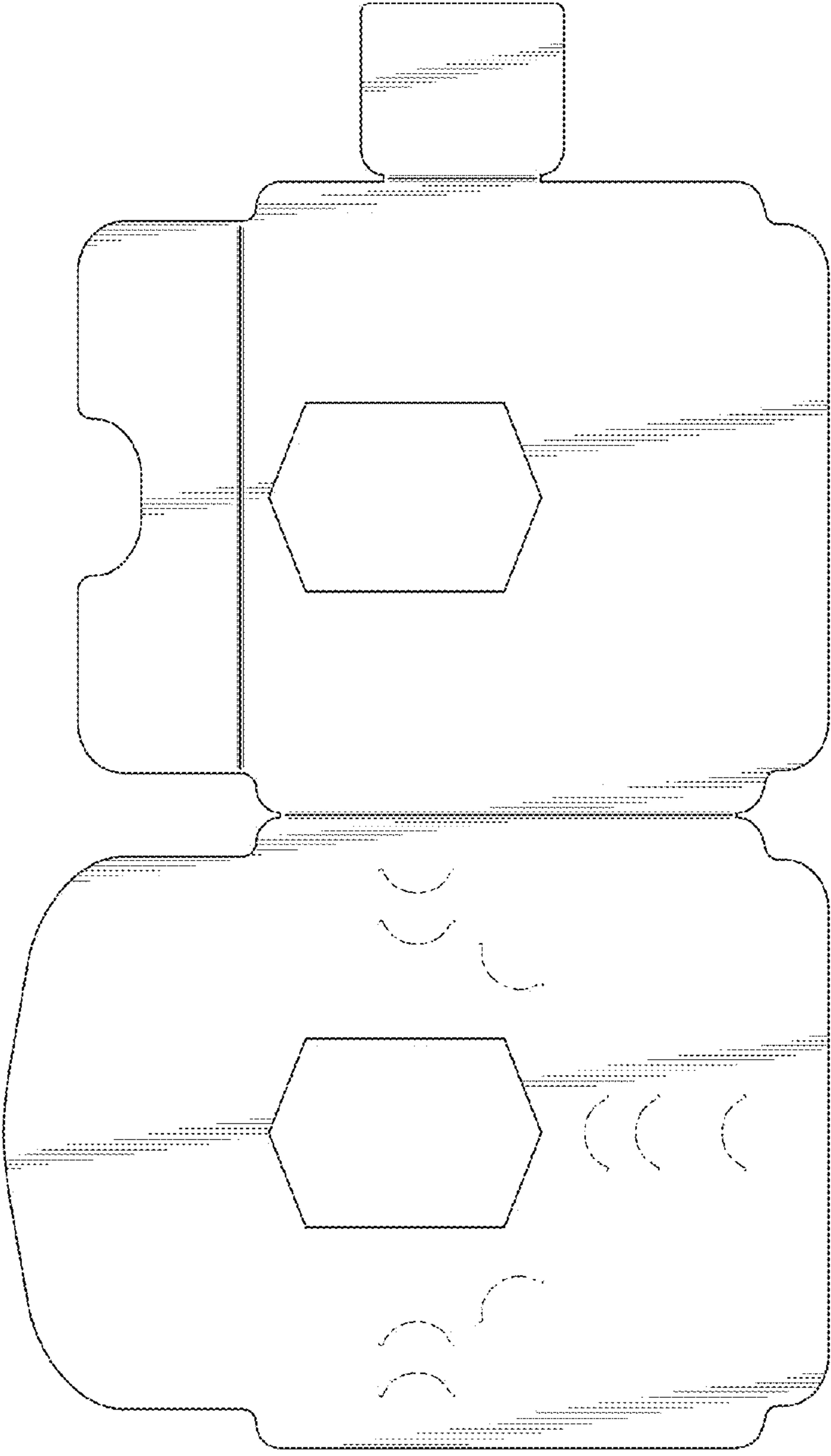


FIG. 3



FIG. 4



FIG. 5



FIG. 6



FIG. 7

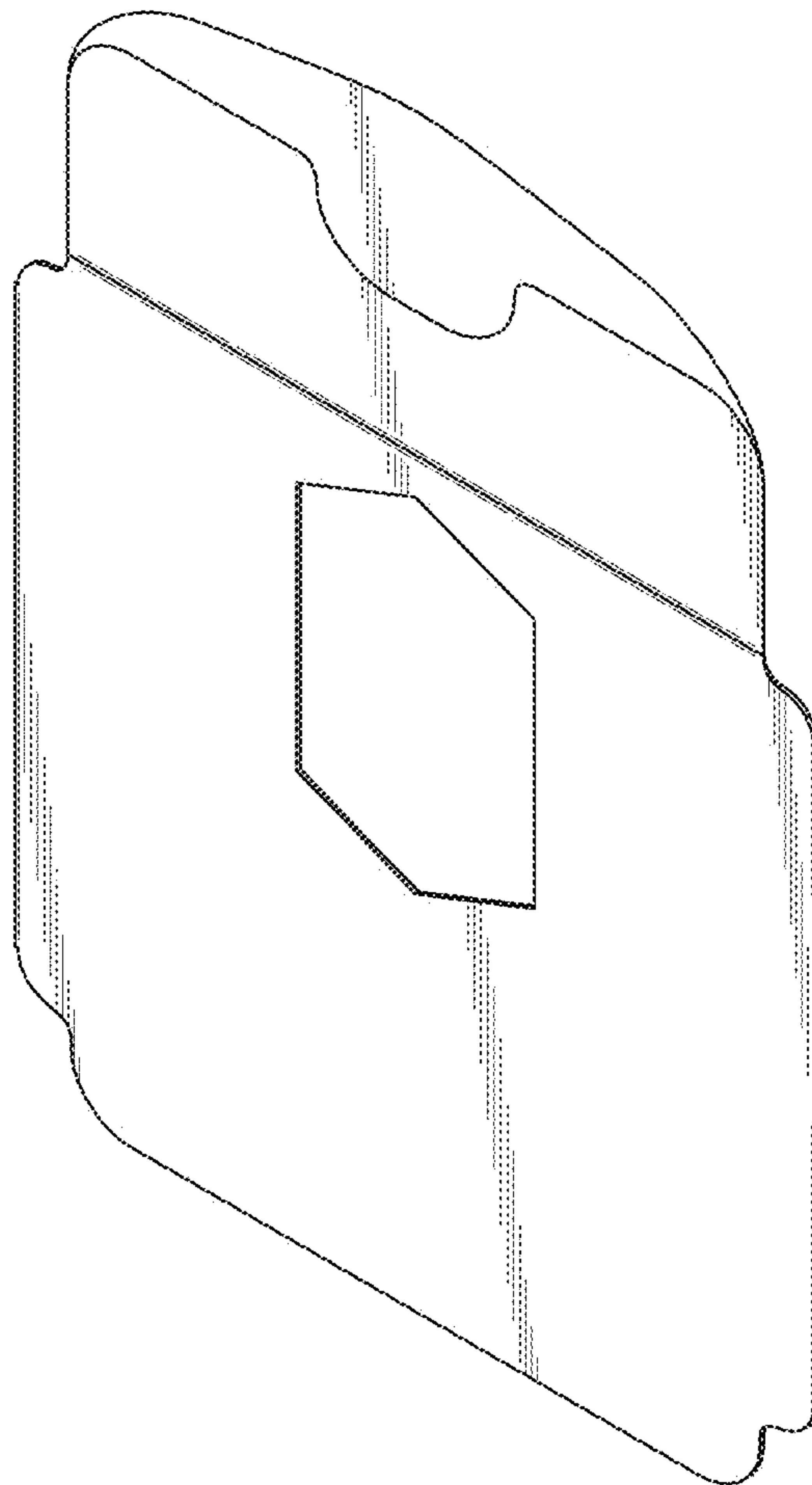


FIG. 8

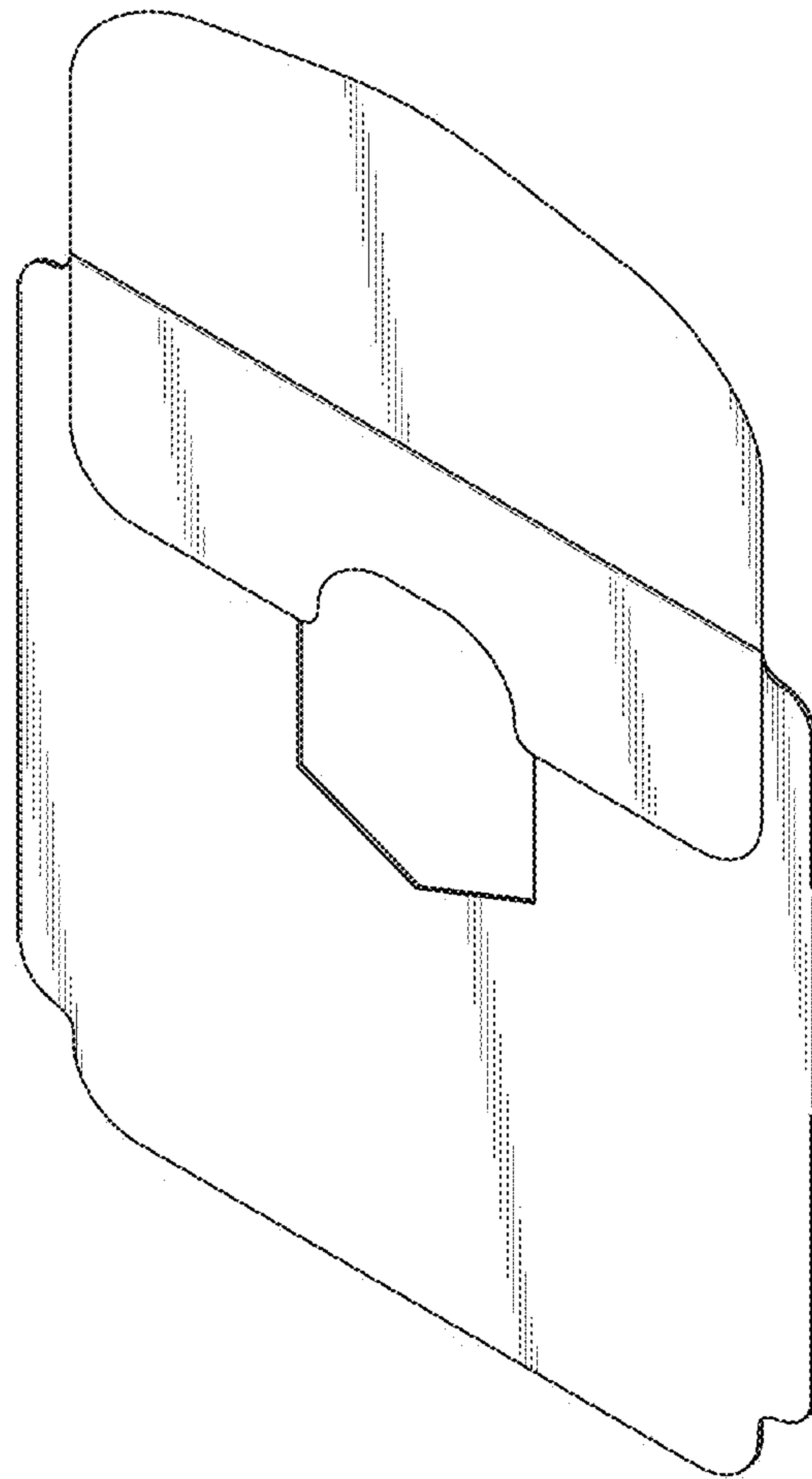


FIG. 9

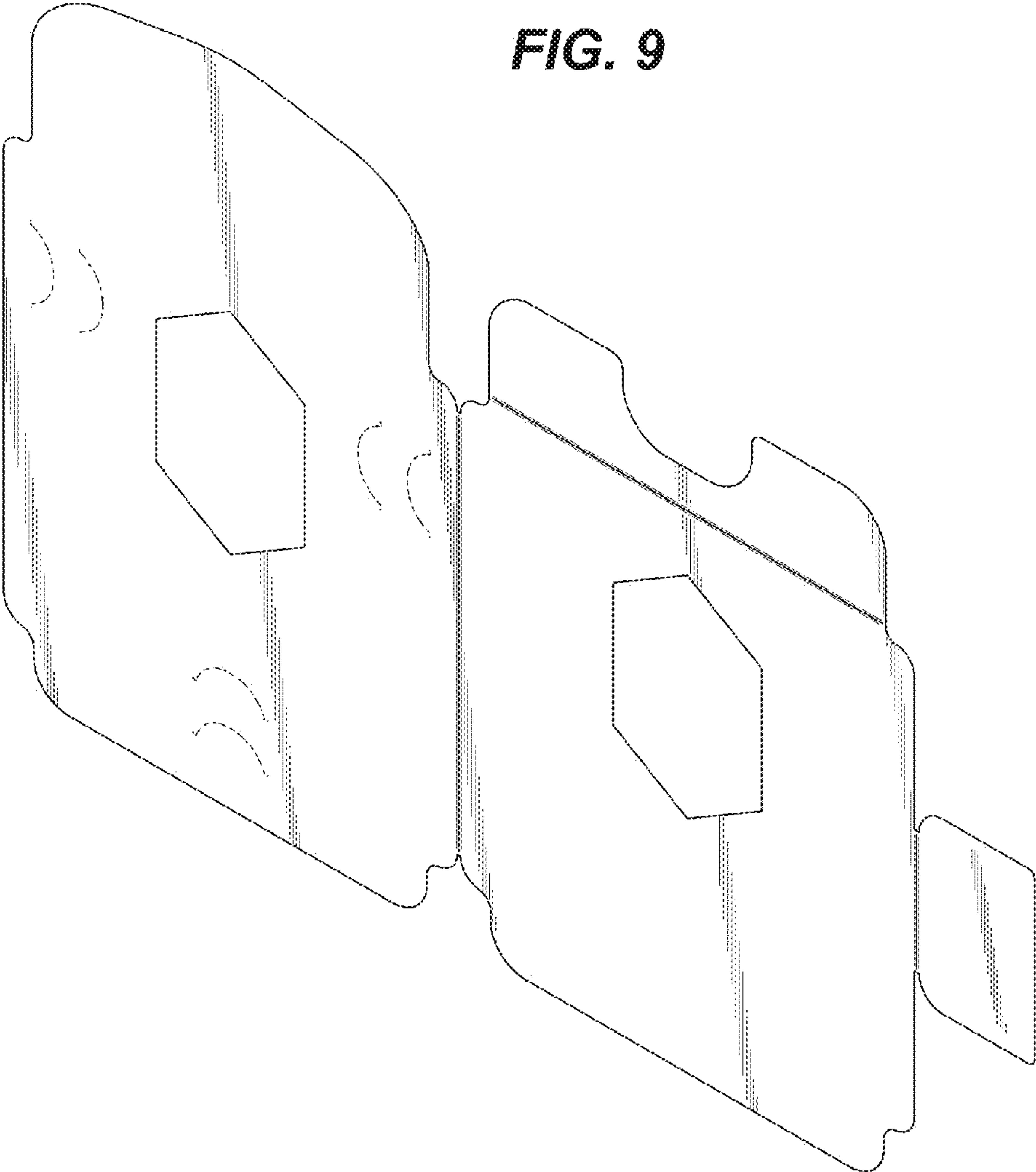


FIG. 10

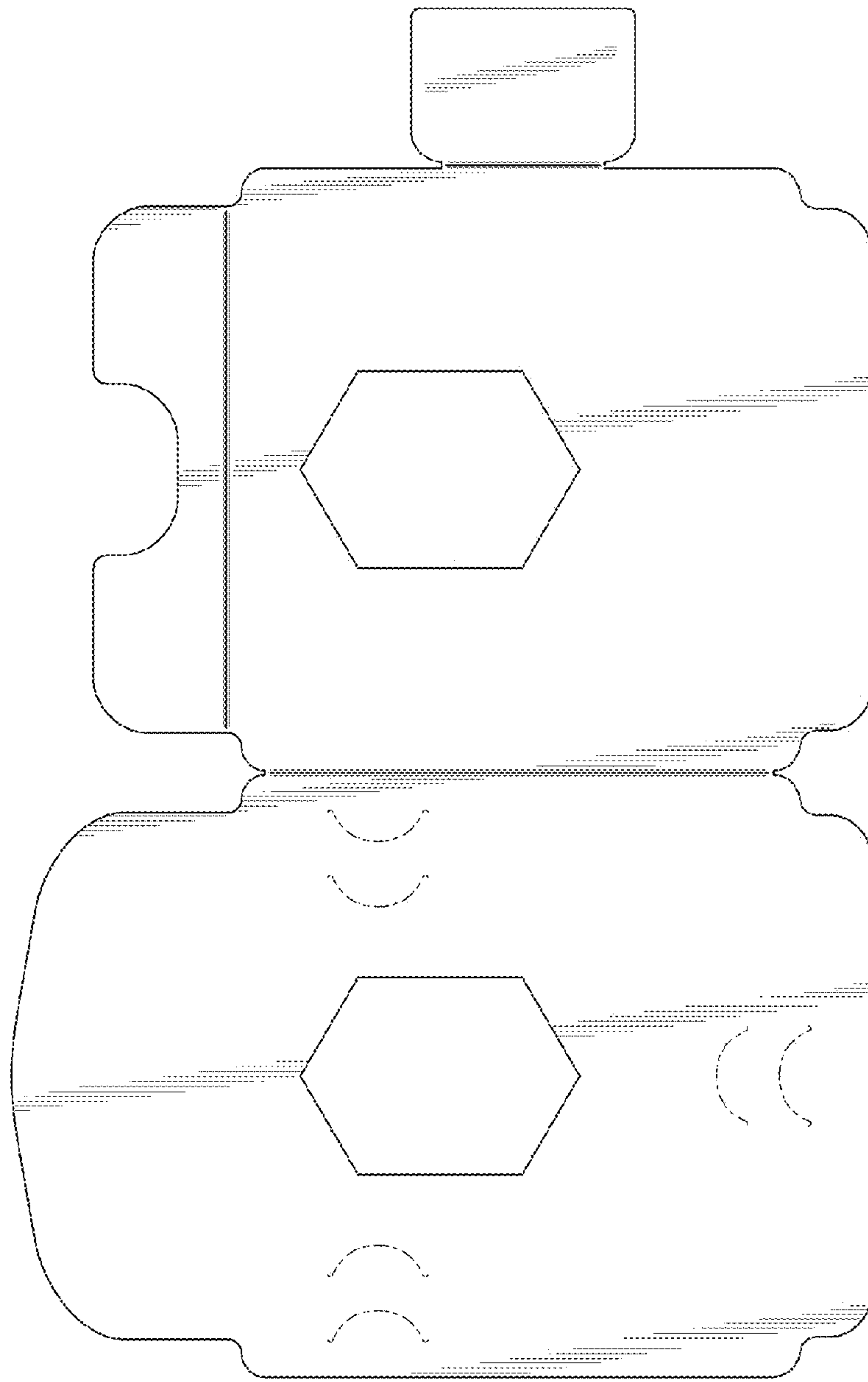


FIG. 11



FIG. 12



FIG. 13



FIG. 14



FIG. 15

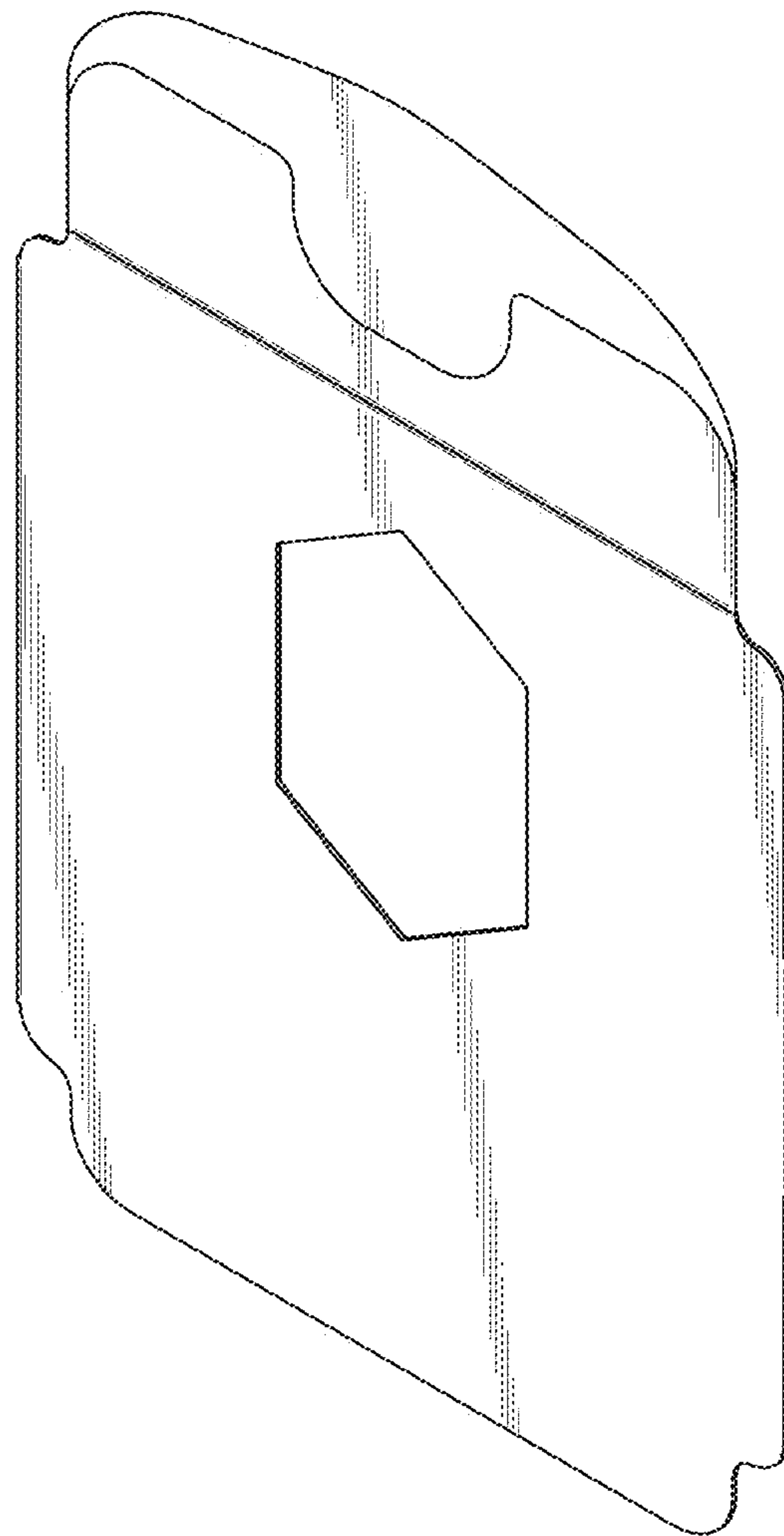


FIG. 16

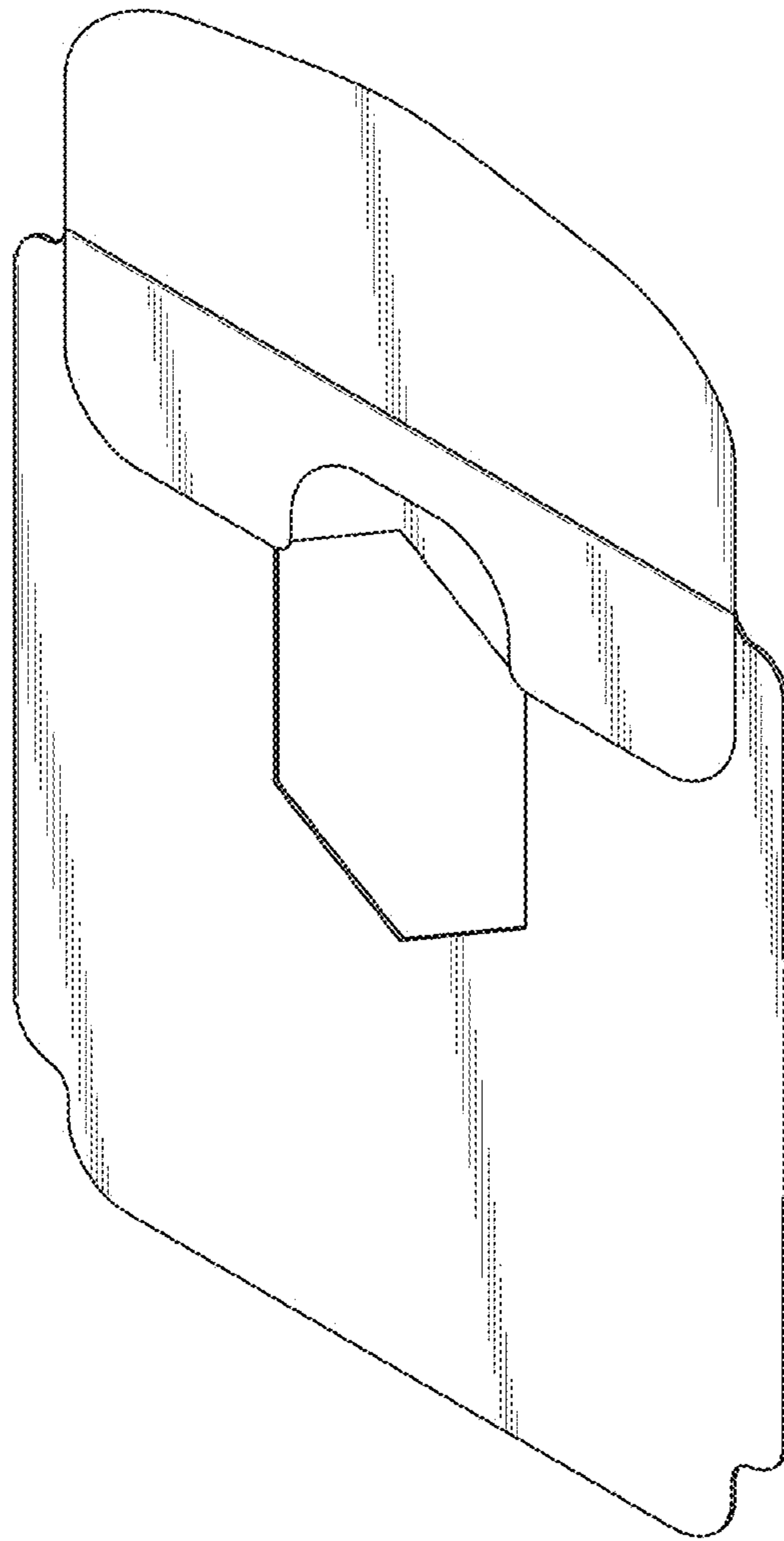


FIG. 17

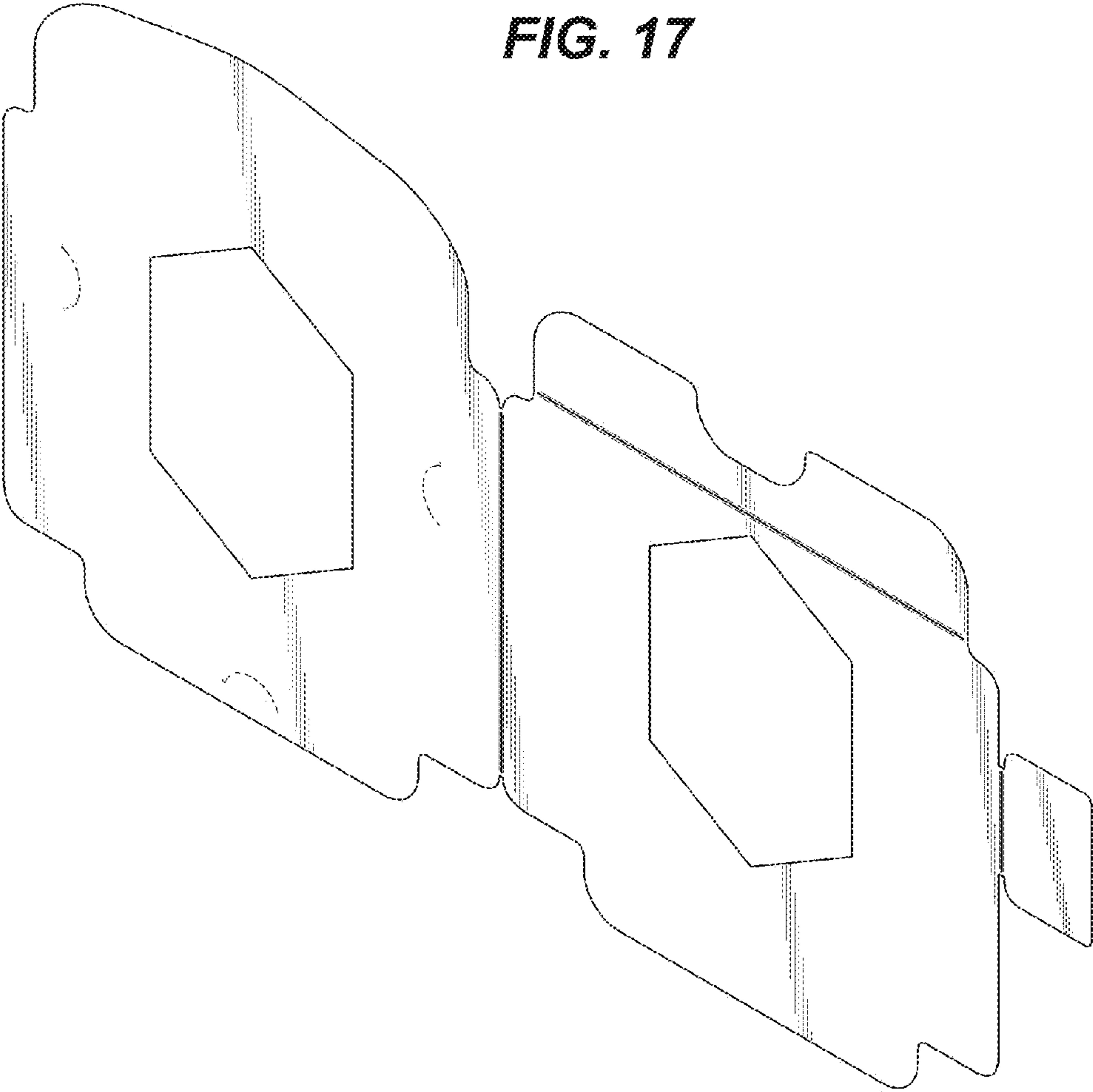


FIG. 18

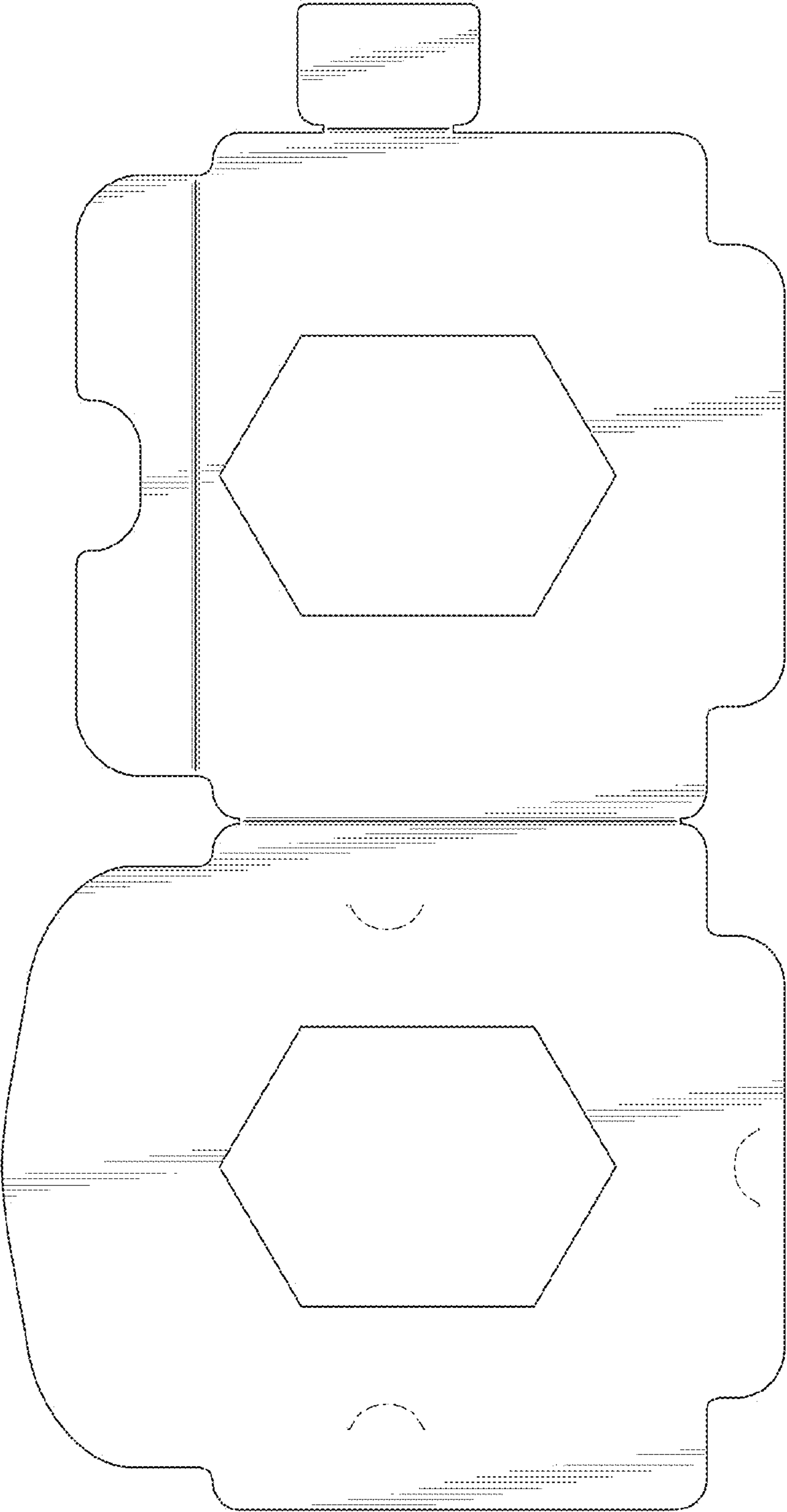


FIG. 19



FIG. 20



FIG. 21



FIG. 22



FIG. 23

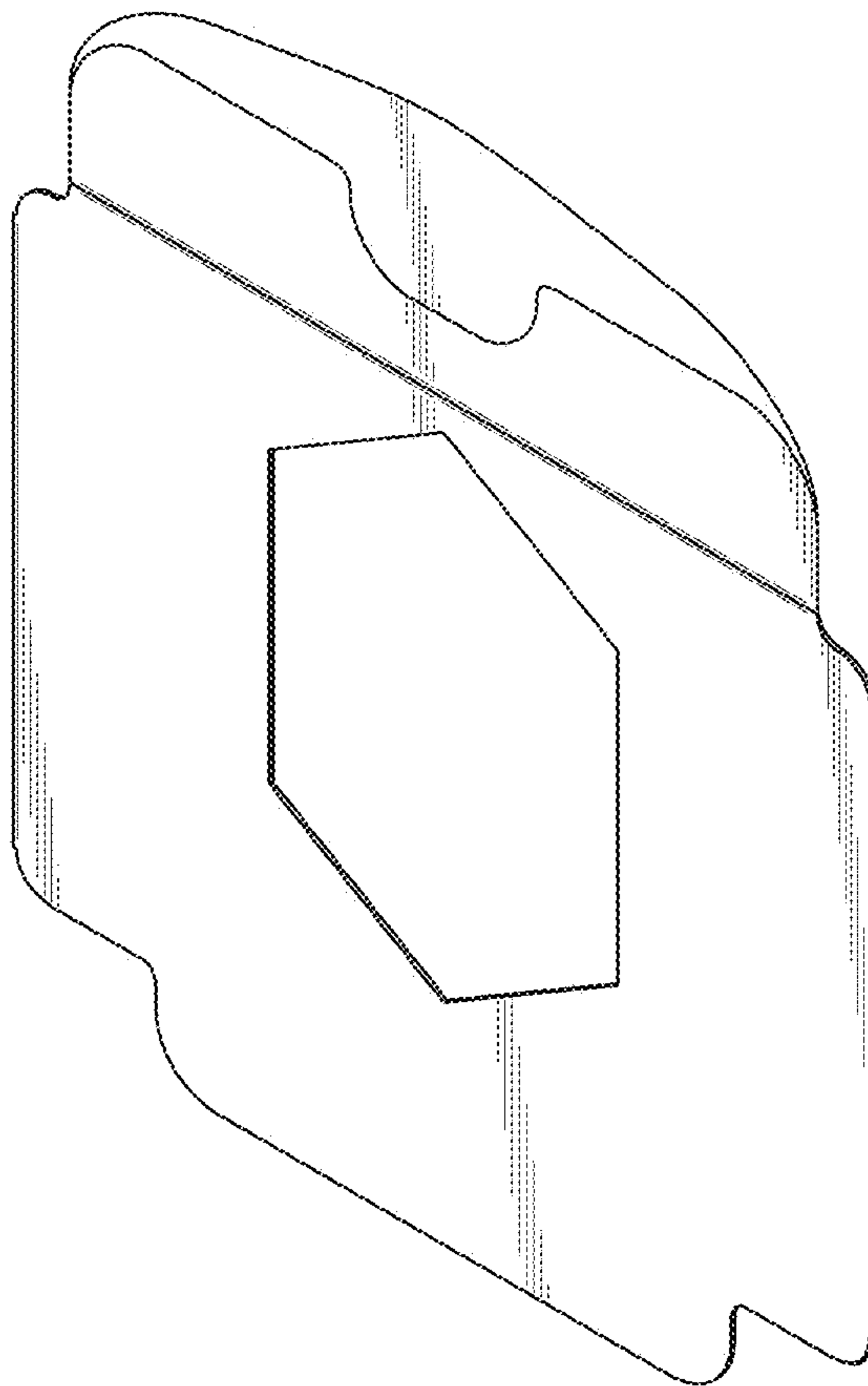


FIG. 24

