



US00D719440S

(12) **United States Design Patent**
Matloff

(10) **Patent No.:** **US D719,440 S**

(45) **Date of Patent:** **** Dec. 16, 2014**

(54) **PACKAGE**

(71) Applicant: **Asian Express Holdings Limited,**
Mongkok, Kowloon (HK)

(72) Inventor: **Darren Matloff,** Houston, TX (US)

(73) Assignee: **Asian Express Holdings Limited,** Hong
Kong (HK)

(**) Term: **14 Years**

(21) Appl. No.: **29/476,500**

(22) Filed: **Dec. 13, 2013**

(51) **LOC (10) Cl.** **09-03**

(52) **U.S. Cl.**
USPC **D9/418**

(58) **Field of Classification Search**
USPC D9/415-419, 430, 431, 631, 199, 721,
D9/432, 687, 711; 206/378; 229/199;
D20/15

See application file for complete search history.

(56) **References Cited**

U.S. PATENT DOCUMENTS

5,526,929 A * 6/1996 Wei 206/378
5,749,513 A * 5/1998 Strauser 229/199
D444,381 S * 7/2001 Barr D9/416
D453,106 S * 1/2002 Peltrault D9/687

D556,566 S * 12/2007 Steele et al. D9/418
D572,581 S * 7/2008 Steele et al. D9/721
D605,035 S * 12/2009 Altonen et al. D9/432
D621,282 S * 8/2010 Yagi D9/711
D626,831 S * 11/2010 Nicholas D9/432
D627,634 S * 11/2010 Chung et al. D9/423
D649,067 S * 11/2011 Birdwell et al. D9/721
D685,433 S * 7/2013 De Iuliis et al. D20/15

* cited by examiner

Primary Examiner — Ian Simmons

Assistant Examiner — Rhea Shields

(74) *Attorney, Agent, or Firm* — Knobbe Martens Olson &
Bear LLP

(57) **CLAIM**

The ornamental design for a package, as shown and
described.

DESCRIPTION

FIG. 1 is a front perspective view of the package showing my
new design;

FIG. 2 is a front elevational view thereof;

FIG. 3 is a rear elevational thereof;

FIG. 4 is a right side elevational view thereof;

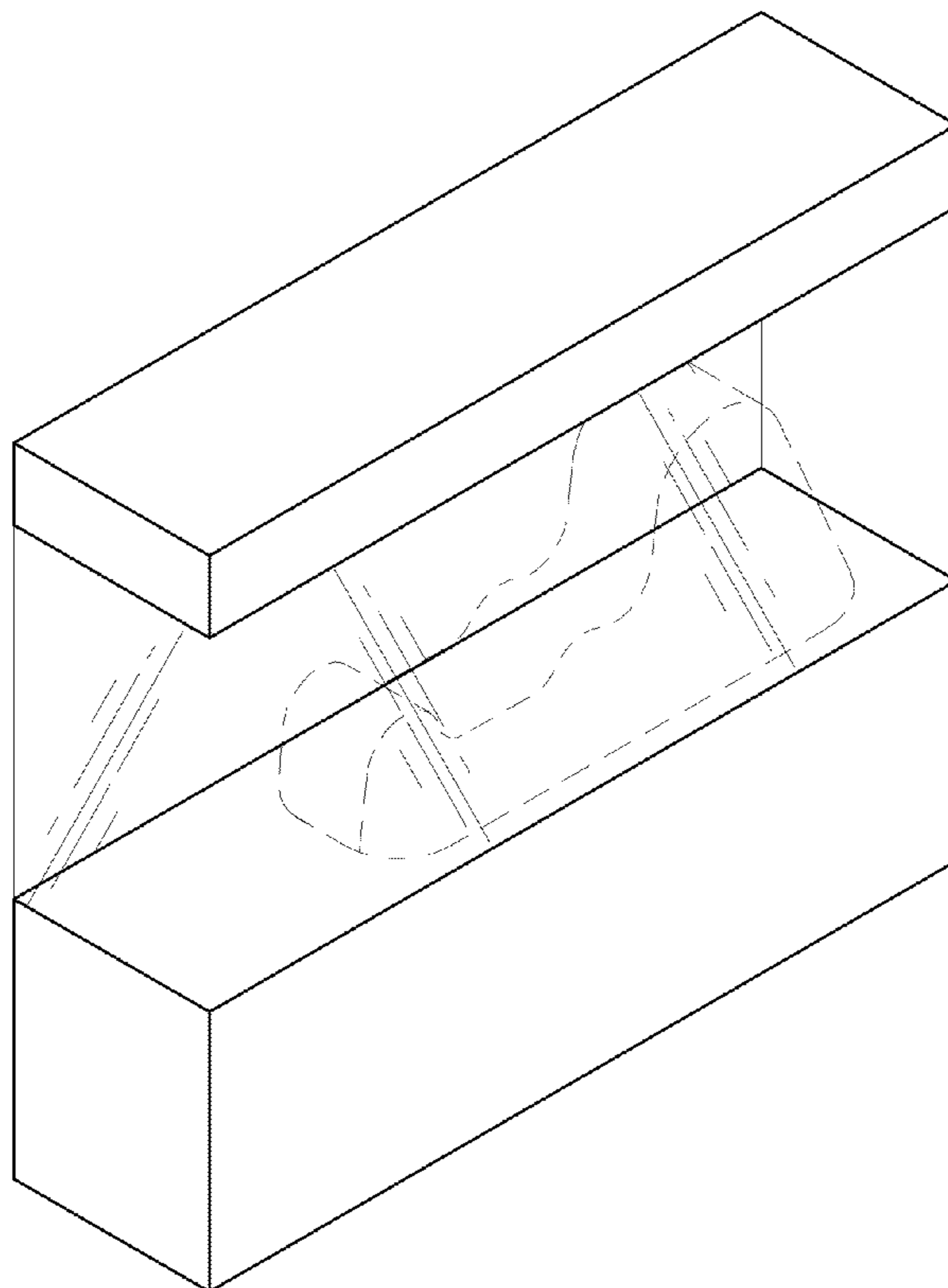
FIG. 5 is a left side elevational view thereof;

FIG. 6 is a top plan view thereof; and,

FIG. 7 is a bottom plan view thereof.

The broken lines in the Figures show portions of the package
which form no part of the claimed design.

1 Claim, 4 Drawing Sheets



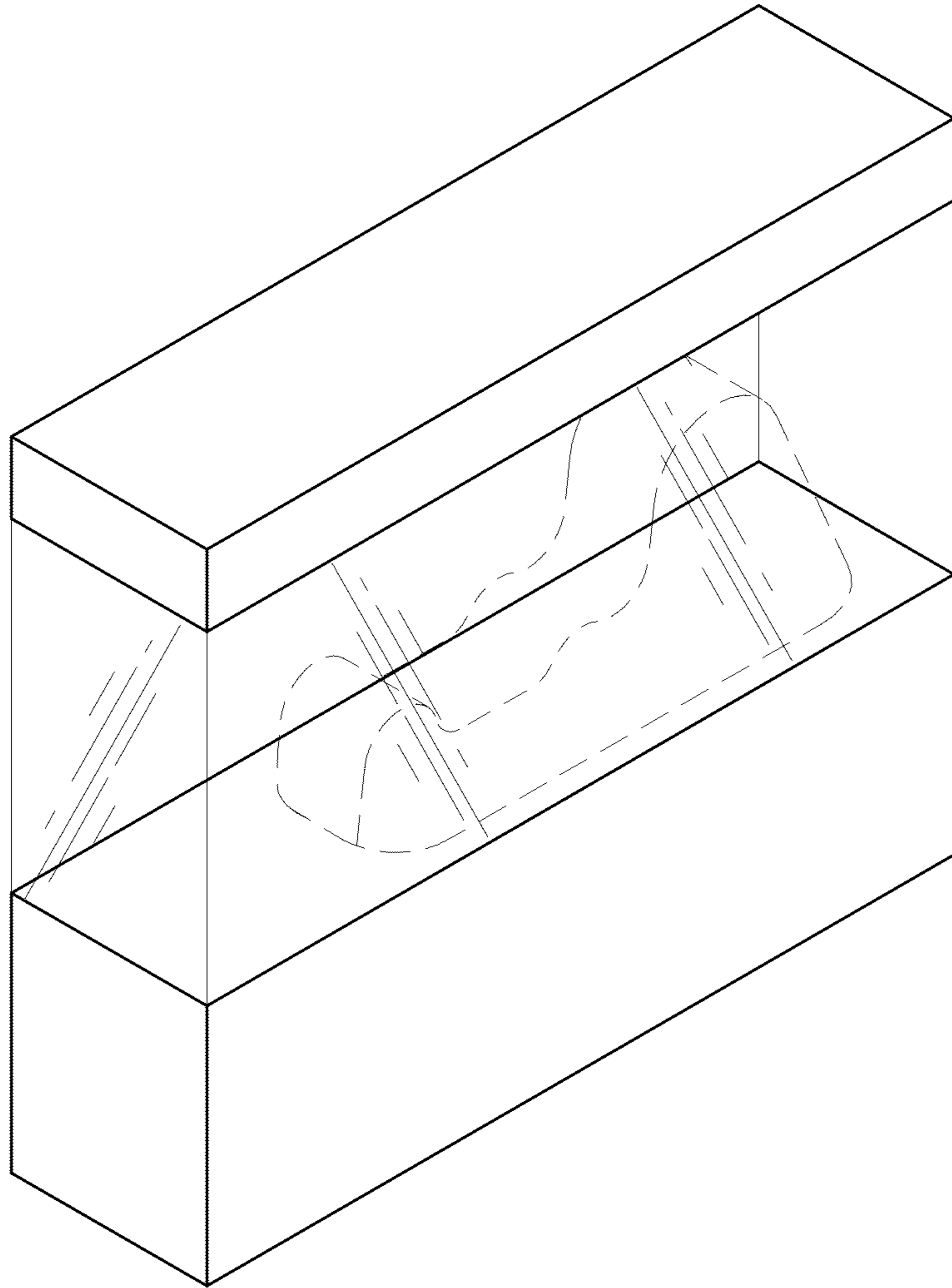


FIG. 1

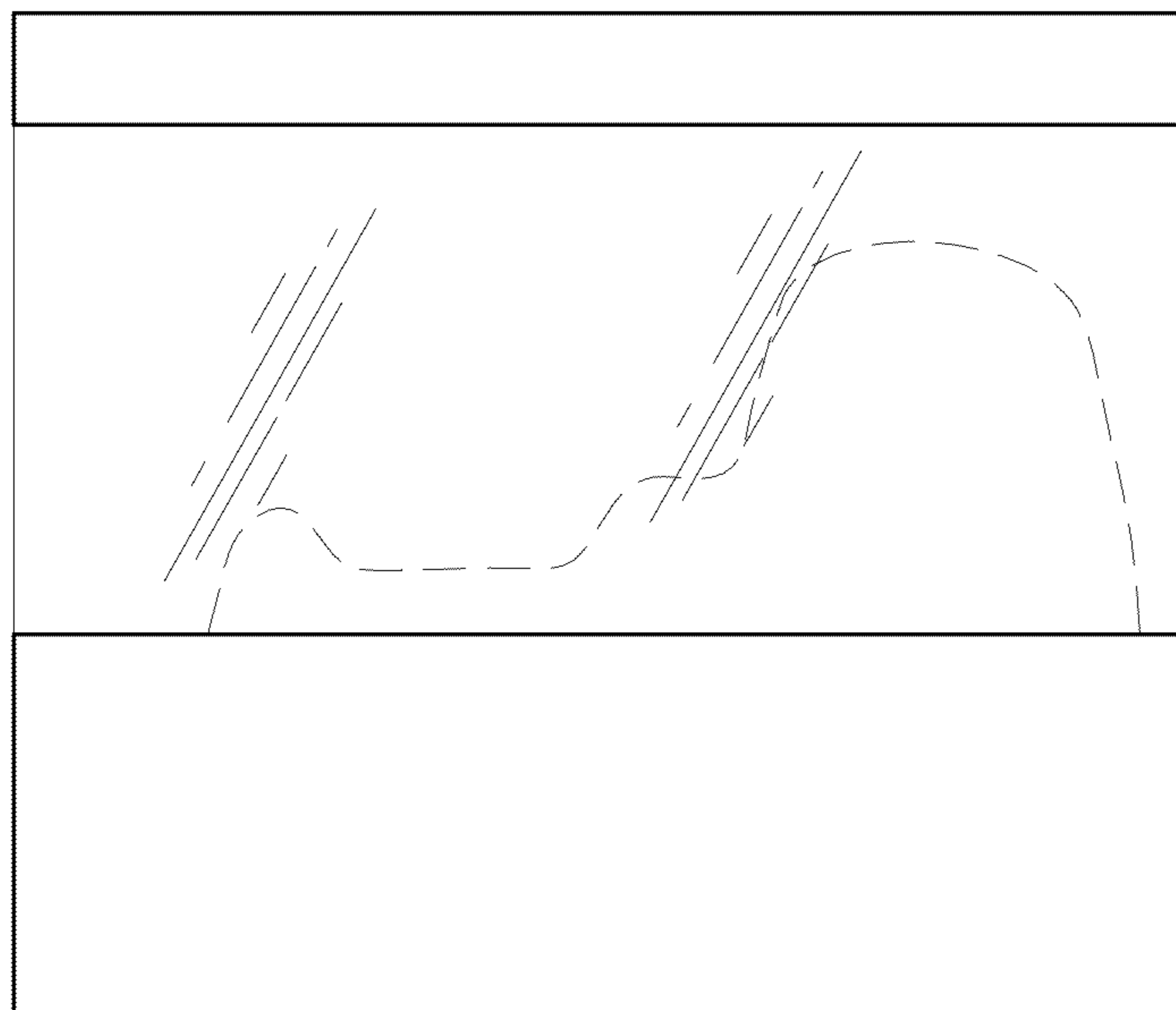


FIG. 2

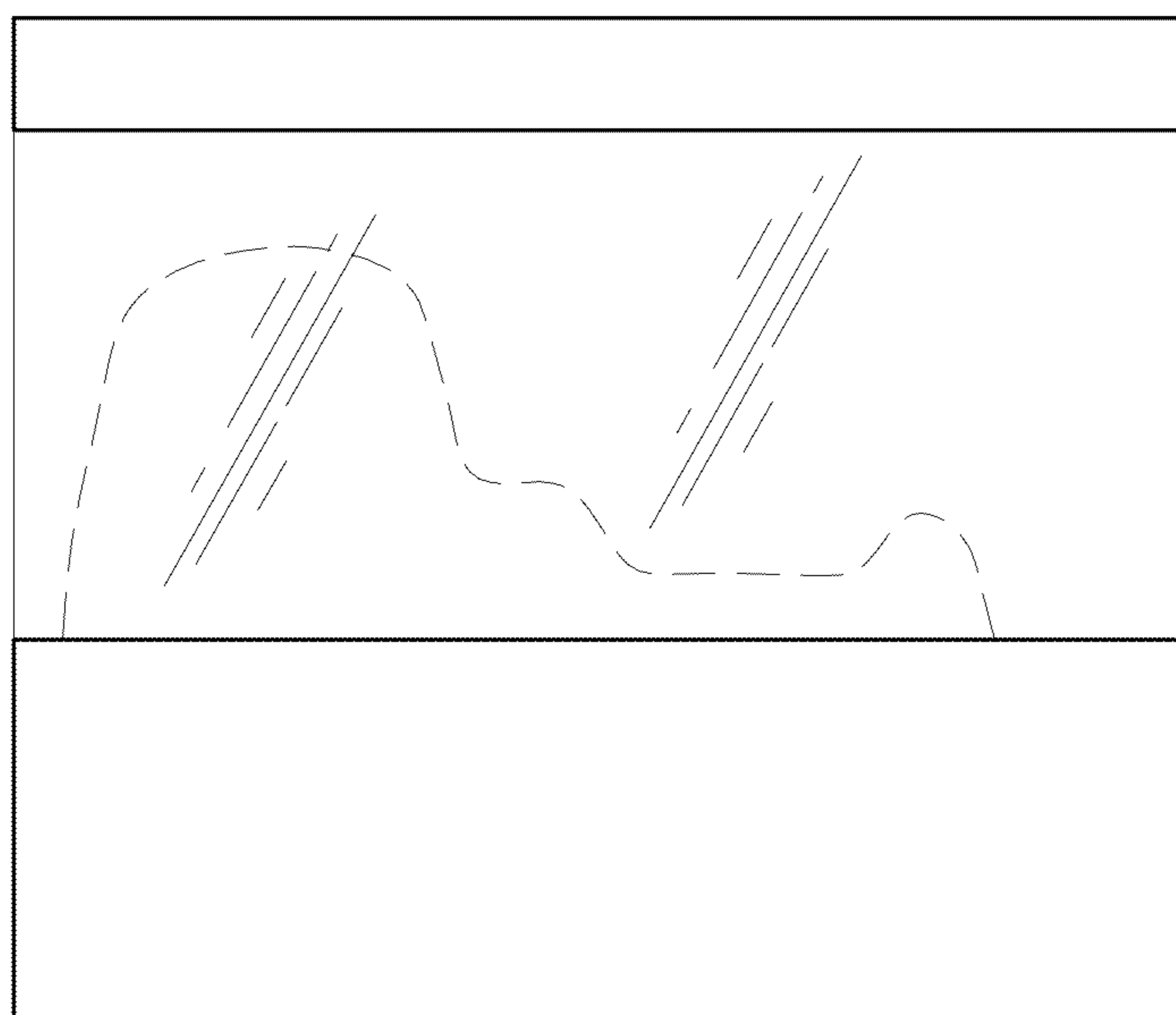


FIG. 3

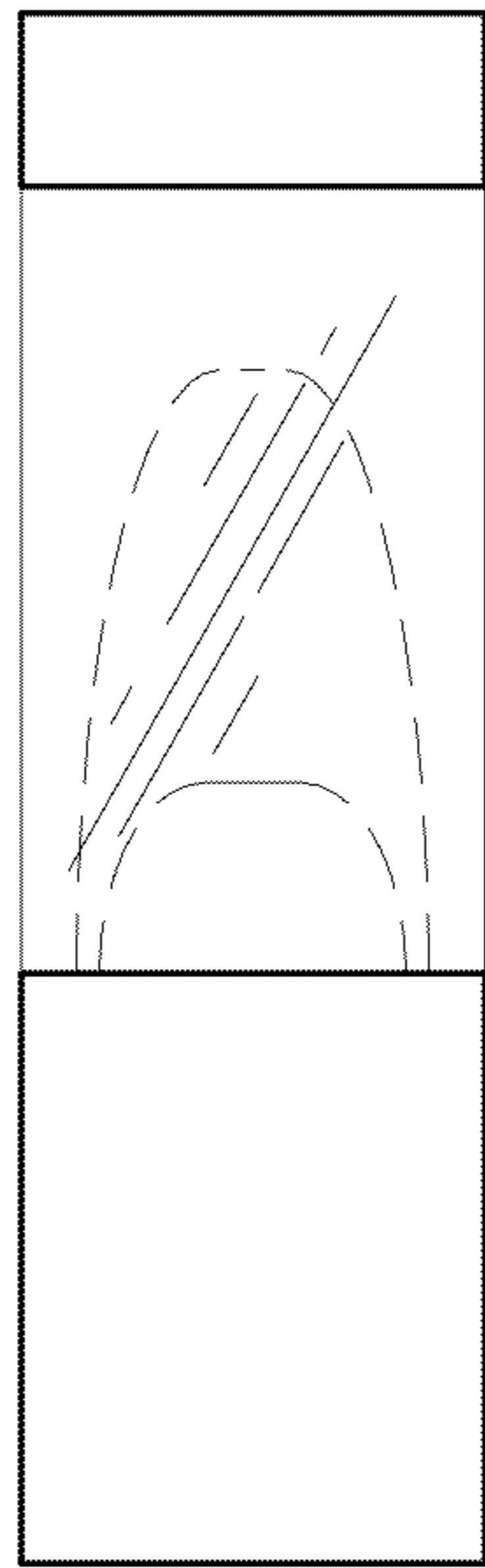


FIG. 4

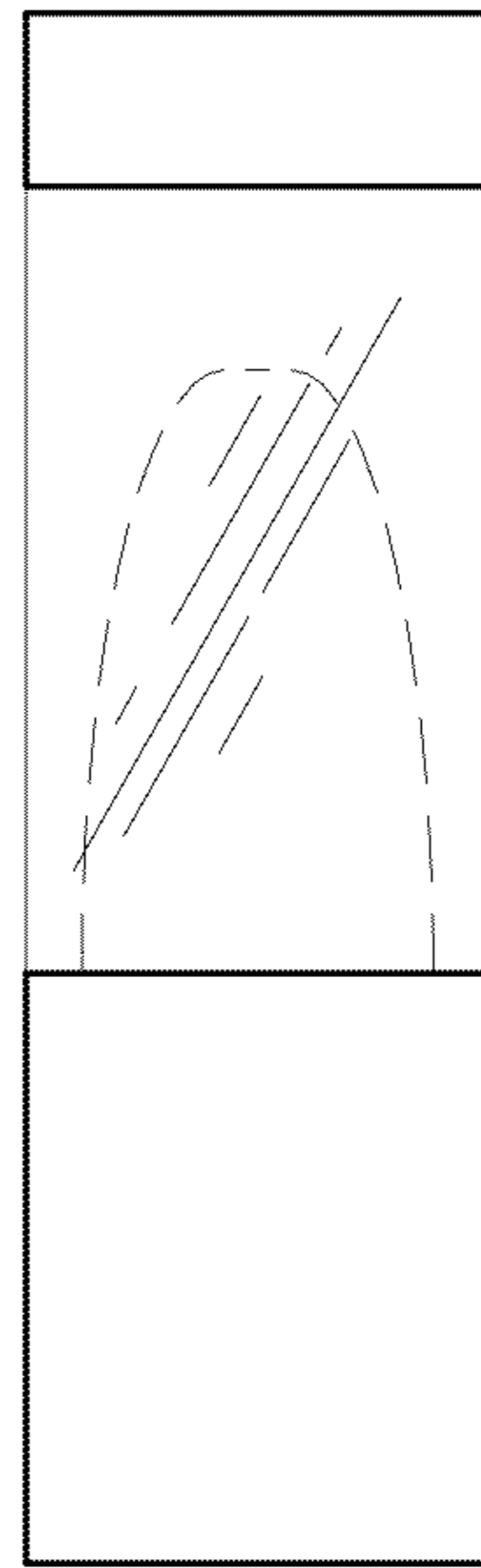


FIG. 5

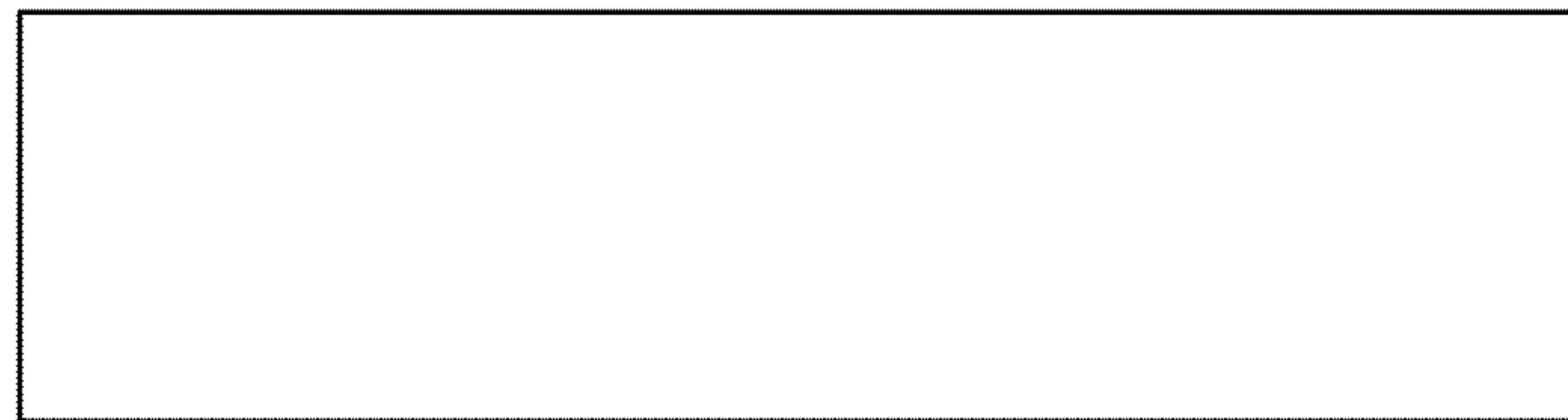


FIG. 6

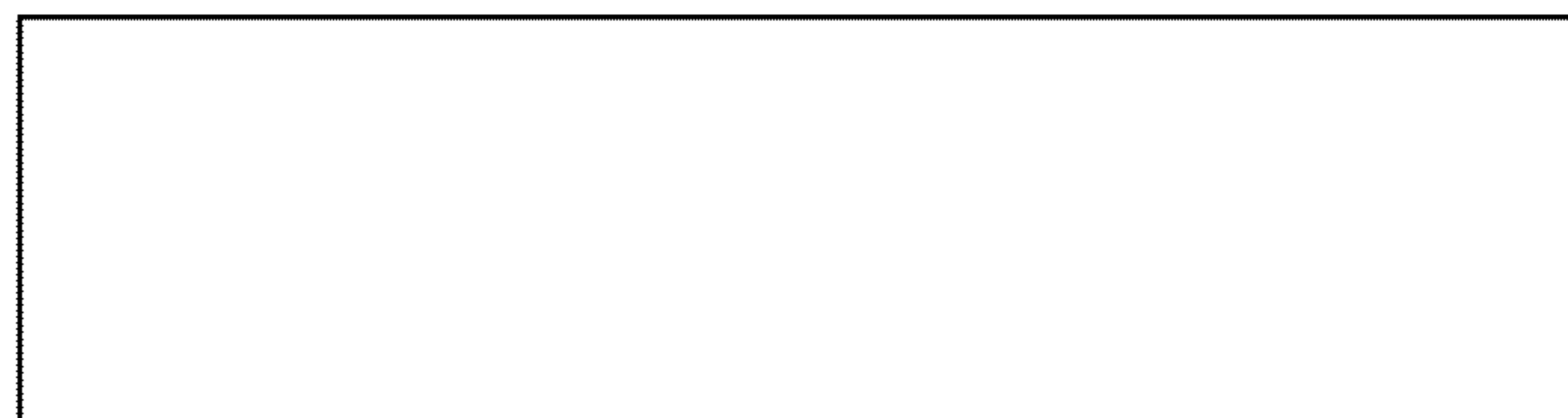


FIG. 7