



US00D719436S

(12) **United States Design Patent**
Roggero

(10) **Patent No.:** **US D719,436 S**

(45) **Date of Patent:** **** Dec. 16, 2014**

(54) **PORTABLE DOOR LOCK DEVICE**

(71) Applicant: **Charles Roggero**, Ellicott City, MD
(US)

(72) Inventor: **Charles Roggero**, Ellicott City, MD
(US)

(**) Term: **14 Years**

(21) Appl. No.: **29/469,959**

(22) Filed: **Oct. 16, 2013**

(51) **LOC (10) Cl.** **08-07**

(52) **U.S. Cl.**
USPC **D8/339; D8/330**

(58) **Field of Classification Search**
USPC D8/330, 331, 339-342, 349, 367, 400;
70/14, 19, 57, 57.1, 58, 51, 52, 199,
70/237, 240, 431, 288, 94, 99; 292/92,
292/339, 259 R, 259 A, 57, 262, 273, 305,
292/306, DIG. 47, DIG. 55, DIG. 60; 49/57,
49/61, 62, 303, 463-466
See application file for complete search history.

(56) **References Cited**

U.S. PATENT DOCUMENTS

2,033,079 A * 3/1936 Lohrs 292/2
3,498,658 A * 3/1970 Steenstra et al. 292/167

4,021,063 A * 5/1977 Porter 292/67
D267,698 S * 1/1983 Domes D8/341
5,352,001 A * 10/1994 Shieh 292/57
5,868,015 A * 2/1999 Eaker 70/129
D489,243 S * 5/2004 Thorp D8/331
D540,148 S * 4/2007 Moore D8/330
D550,061 S * 9/2007 Tang D8/330
D552,448 S * 10/2007 Tang D8/330
D593,398 S * 6/2009 Pelletier et al. D8/330

* cited by examiner

Primary Examiner — Prabhakar Deshmukh

(74) *Attorney, Agent, or Firm* — William E. Noonan

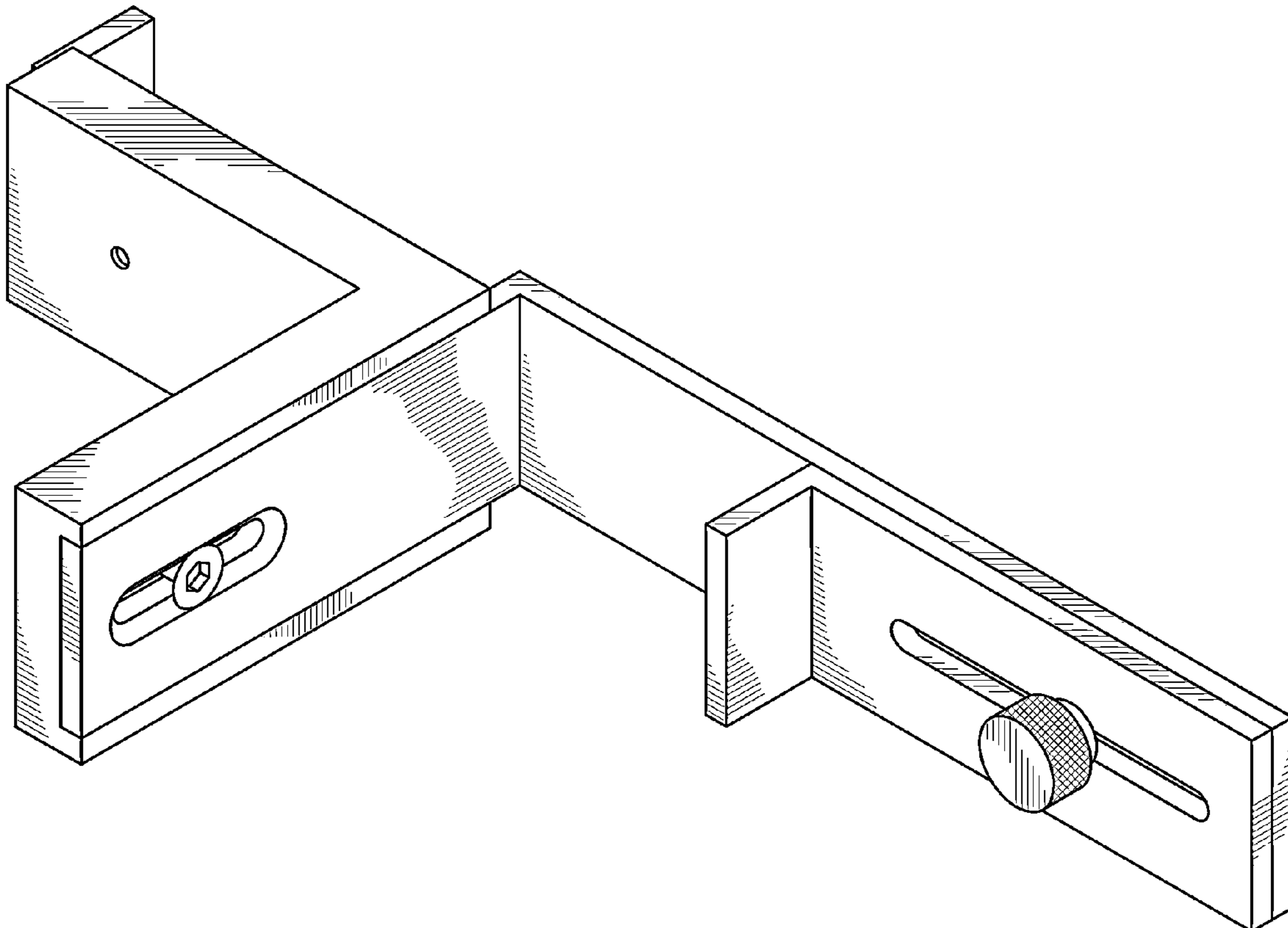
(57) **CLAIM**

The ornamental design for a portable door lock device, as shown.

DESCRIPTION

FIG. 1 is a perspective view of a portable door lock device showing my new design, shown in environmental use; FIG. 2 is an enlarged scale perspective view thereof; FIG. 3 is a top plan view thereof; FIG. 4 is a front elevation view thereof; FIG. 5 is a rear elevation view thereof; FIG. 6 is a left side elevation view thereof; and, FIG. 7 is a right side elevation thereof.

1 Claim, 5 Drawing Sheets



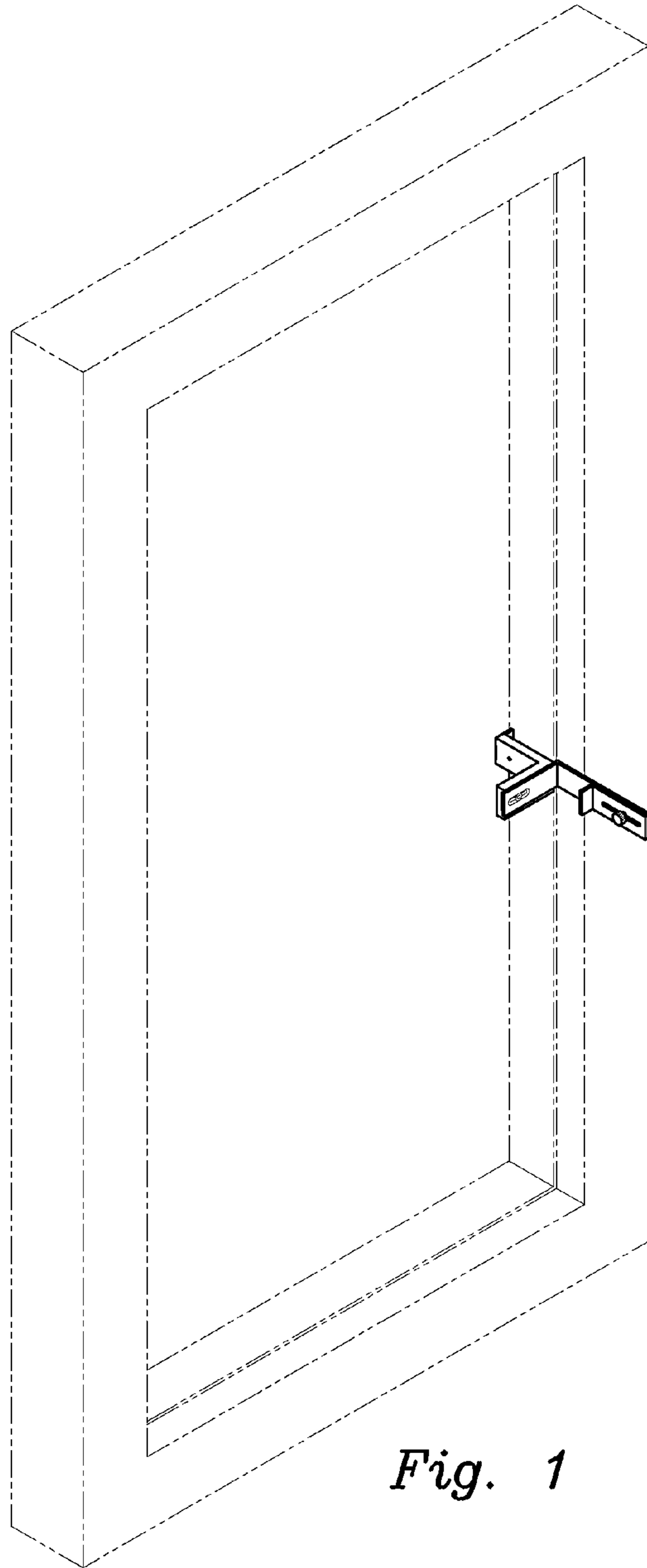


Fig. 1

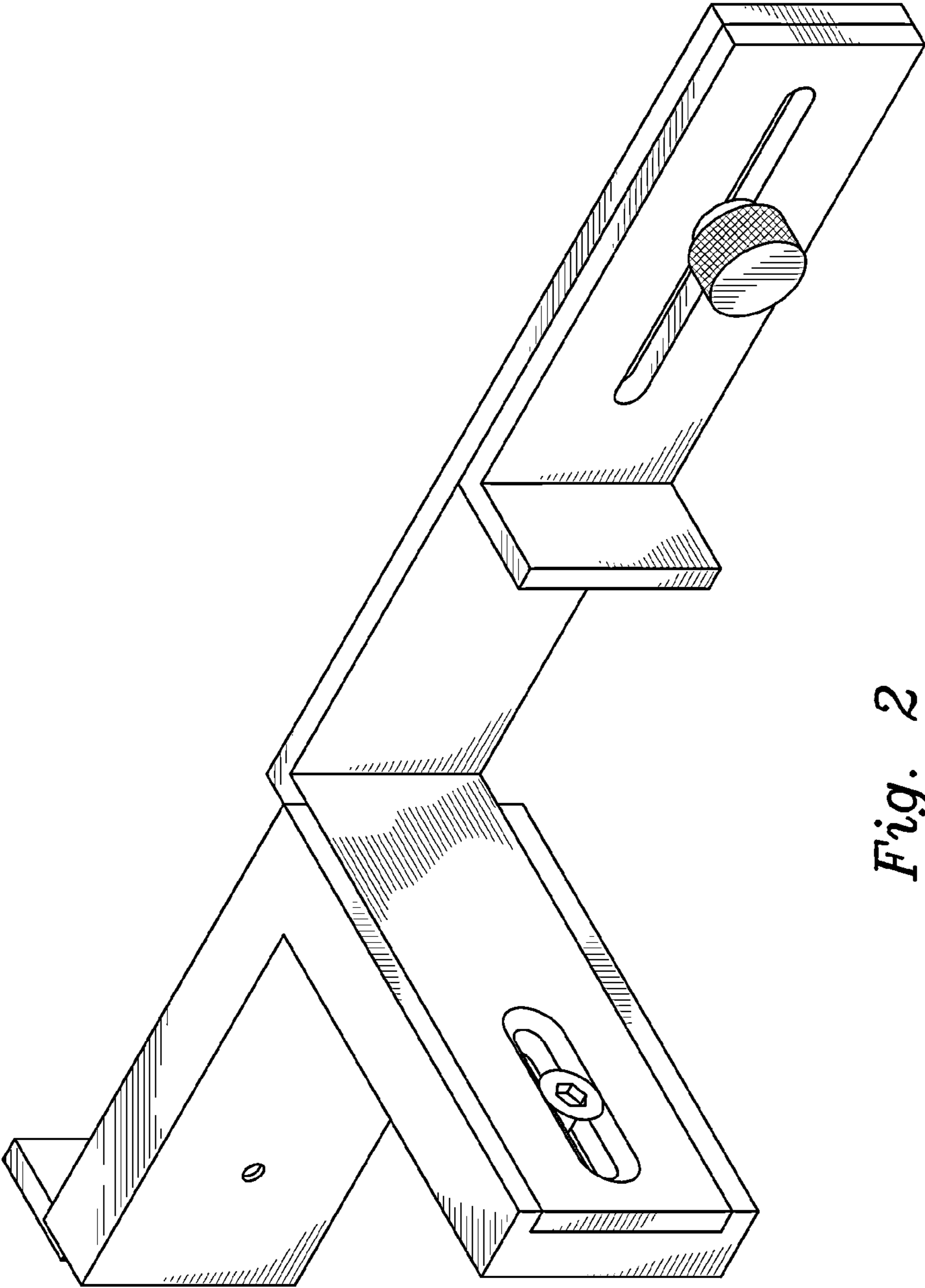


Fig. 2

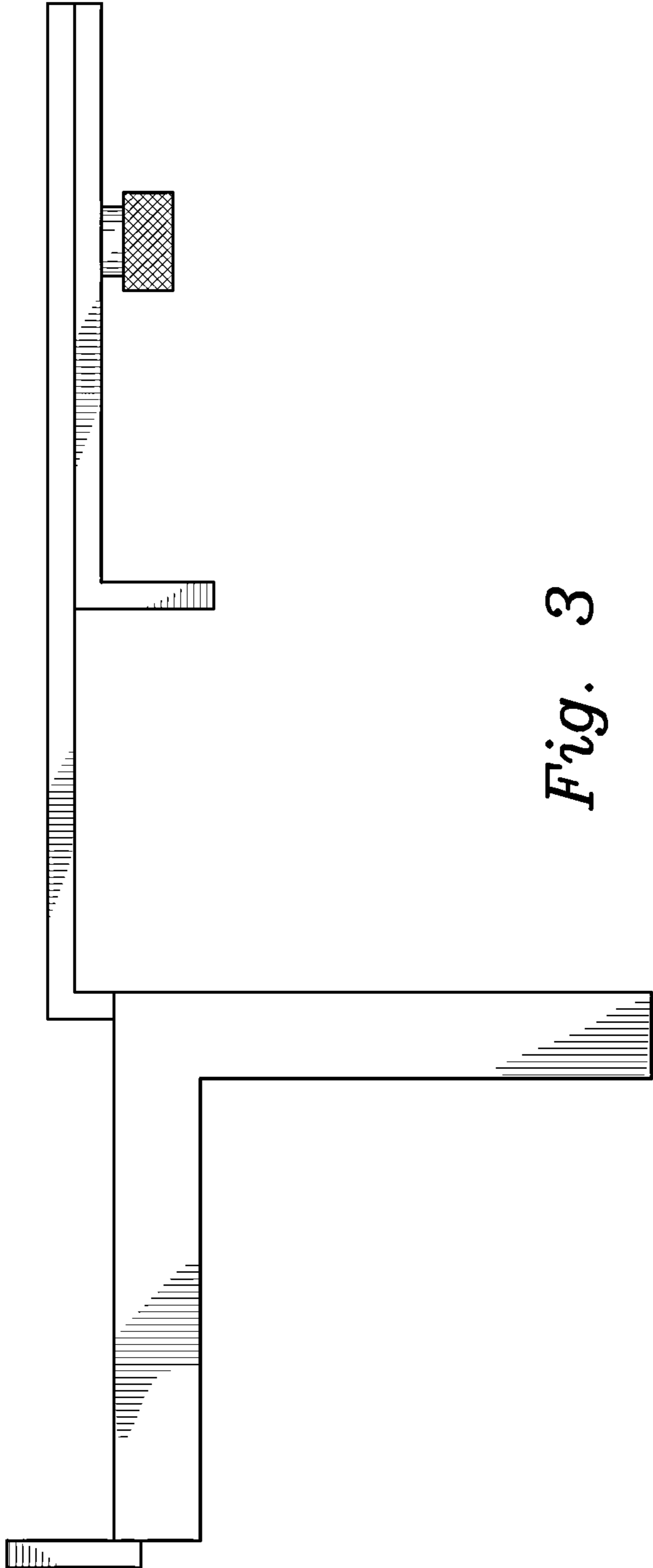


Fig. 3

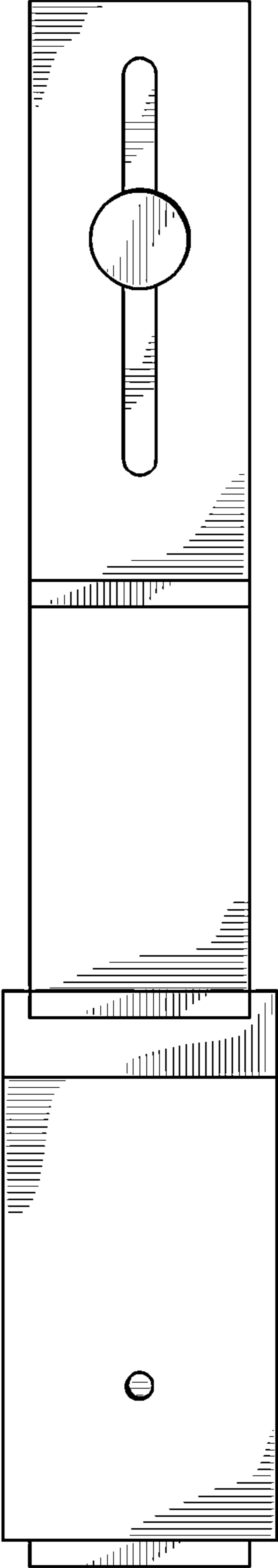


Fig. 4

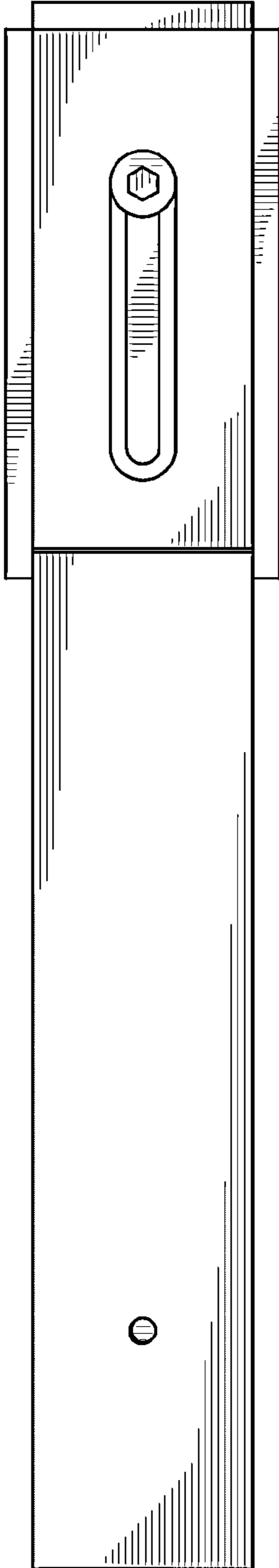


Fig. 5

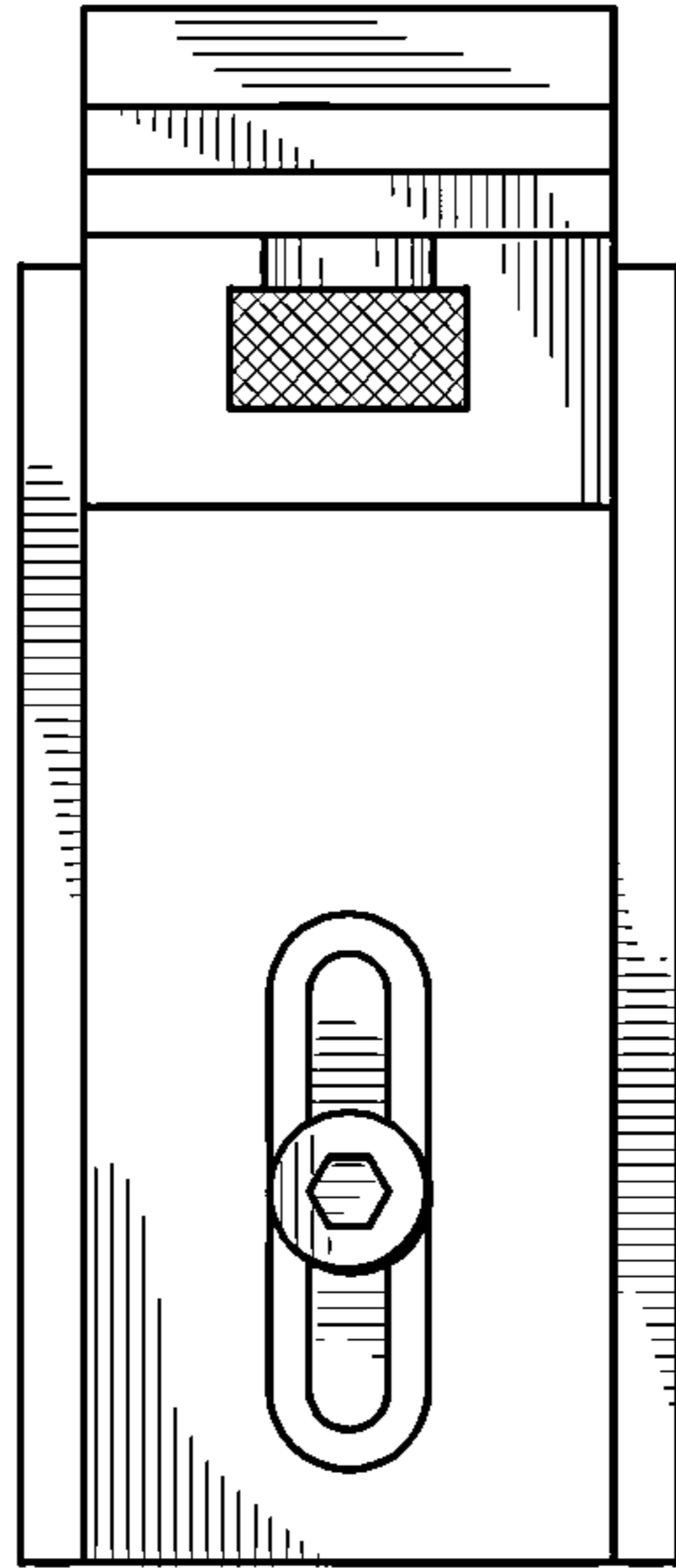


Fig. 7

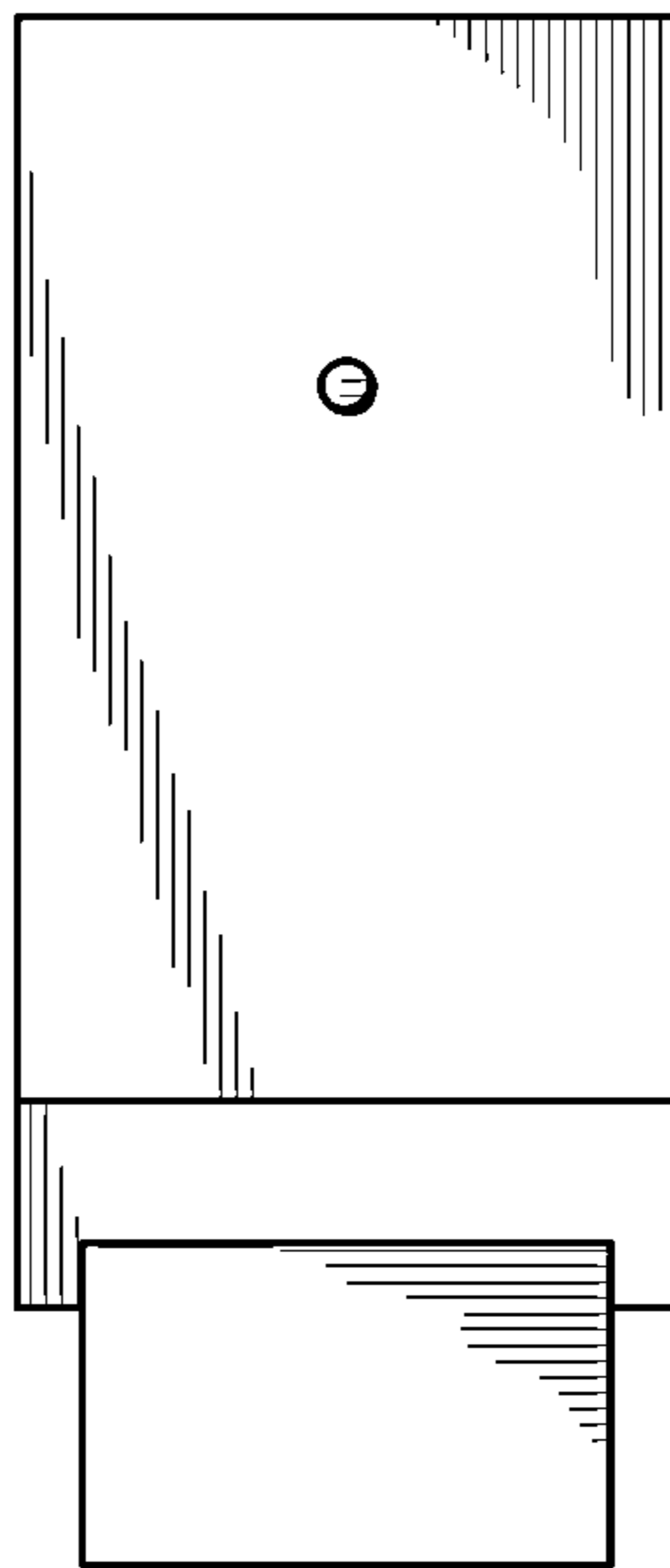


Fig. 6