



US00D719433S

(12) **United States Design Patent**
Cooper et al.

(10) **Patent No.:** **US D719,433 S**

(45) **Date of Patent:** **** Dec. 16, 2014**

(54) **TOOL HANDLE**

(71) Applicant: **Wilmar Corporation**, Renton, WA (US)

(72) Inventors: **David James Cooper**, Renton, WA (US); **Harrison Zhang**, Shanghai (CN)

(73) Assignee: **Wilmar Corporation**, Renton, WA (US)

(**) Term: **14 Years**

(21) Appl. No.: **29/462,915**

(22) Filed: **Aug. 9, 2013**

(51) **LOC (10) Cl.** **08-06**

(52) **U.S. Cl.**
USPC **D8/107; D16/135**

(58) **Field of Classification Search**
CPC G02B 25/02
USPC D8/107; D16/135; D6/309; 359/802, 359/803, 805, 808, 810, 811, 818; 30/343, 30/169; 81/177.1; D32/46; 16/110.1, 422, 16/430-431

See application file for complete search history.

(56) **References Cited**

U.S. PATENT DOCUMENTS

D163,349 S *	5/1951	Baratelli	D16/135
D269,275 S *	6/1983	Tweedie	D16/135
D303,119 S *	8/1989	Steel et al.	D16/135
4,903,706 A *	2/1990	Vila-Cora et al.	600/558
D324,060 S *	2/1992	Huang	D16/135
D333,313 S *	2/1993	Hornschu et al.	D16/135
D372,411 S *	8/1996	Ho	D8/83
D394,073 S *	5/1998	Hennessy et al.	D16/135

D399,722 S *	10/1998	Eidsmoe et al.	D8/107
5,956,799 A *	9/1999	Panaccione et al.	15/236.01
6,131,290 A *	10/2000	Chiou	30/169
D446,104 S *	8/2001	Chen	D8/107
D457,413 S *	5/2002	Cooper	D8/107
D459,187 S *	6/2002	Norton	D8/89
D465,389 S *	11/2002	Norton	D8/14
D468,989 S *	1/2003	Gringer et al.	D8/107
D490,290 S *	5/2004	Norton	D8/93
D535,174 S *	1/2007	Chen	D8/107
D564,853 S *	3/2008	Chen	D8/107
D607,708 S *	1/2010	Himbert et al.	D8/107
D617,169 S *	6/2010	Robinson et al.	D8/107
D629,578 S *	12/2010	Molina	D32/46
D654,107 S *	2/2012	Huang	D16/135
D693,077 S *	11/2013	Thompson	D32/46
D702,746 S *	4/2014	Gresko	D16/135

* cited by examiner

Primary Examiner — Paula Greene

(74) *Attorney, Agent, or Firm* — Condo Roccia Koptiw LLP

(57) **CLAIM**

The ornamental design for a tool handle, as shown and described.

DESCRIPTION

FIG. 1 is a perspective view of an embodiment of a tool and handle embodying our design;

FIG. 2 is a front view of the tool and handle of FIG. 1;

FIG. 3 is a rear view of the tool and handle of FIG. 1;

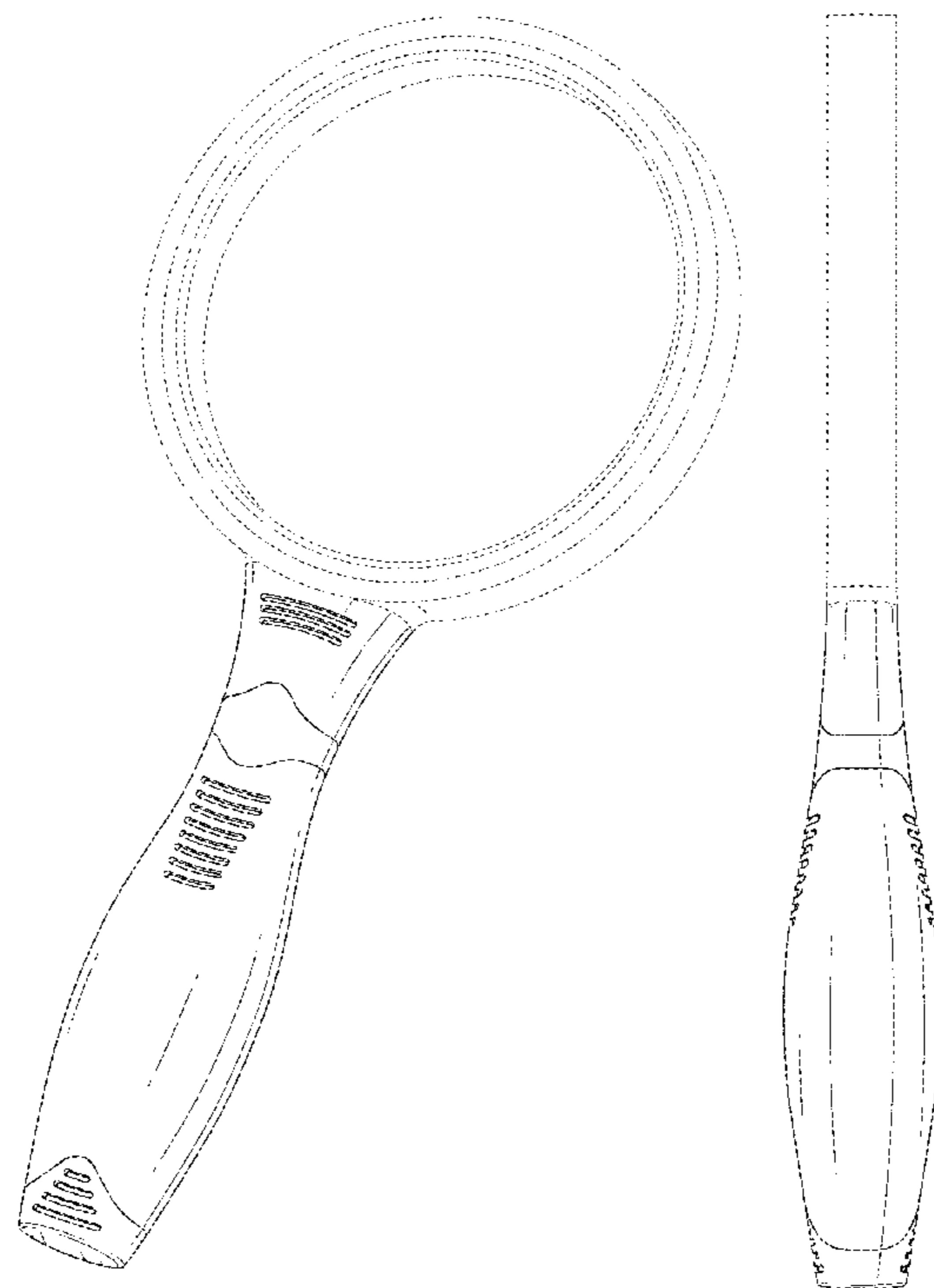
FIG. 4 is a first side view of the tool and handle of FIG. 1;

FIG. 5 is a second side view of the tool and handle of FIG. 1;

FIG. 6 is a top view of the tool and handle of FIG. 1; and,

FIG. 7 is a bottom view of the tool and handle of FIG. 1.

1 Claim, 5 Drawing Sheets



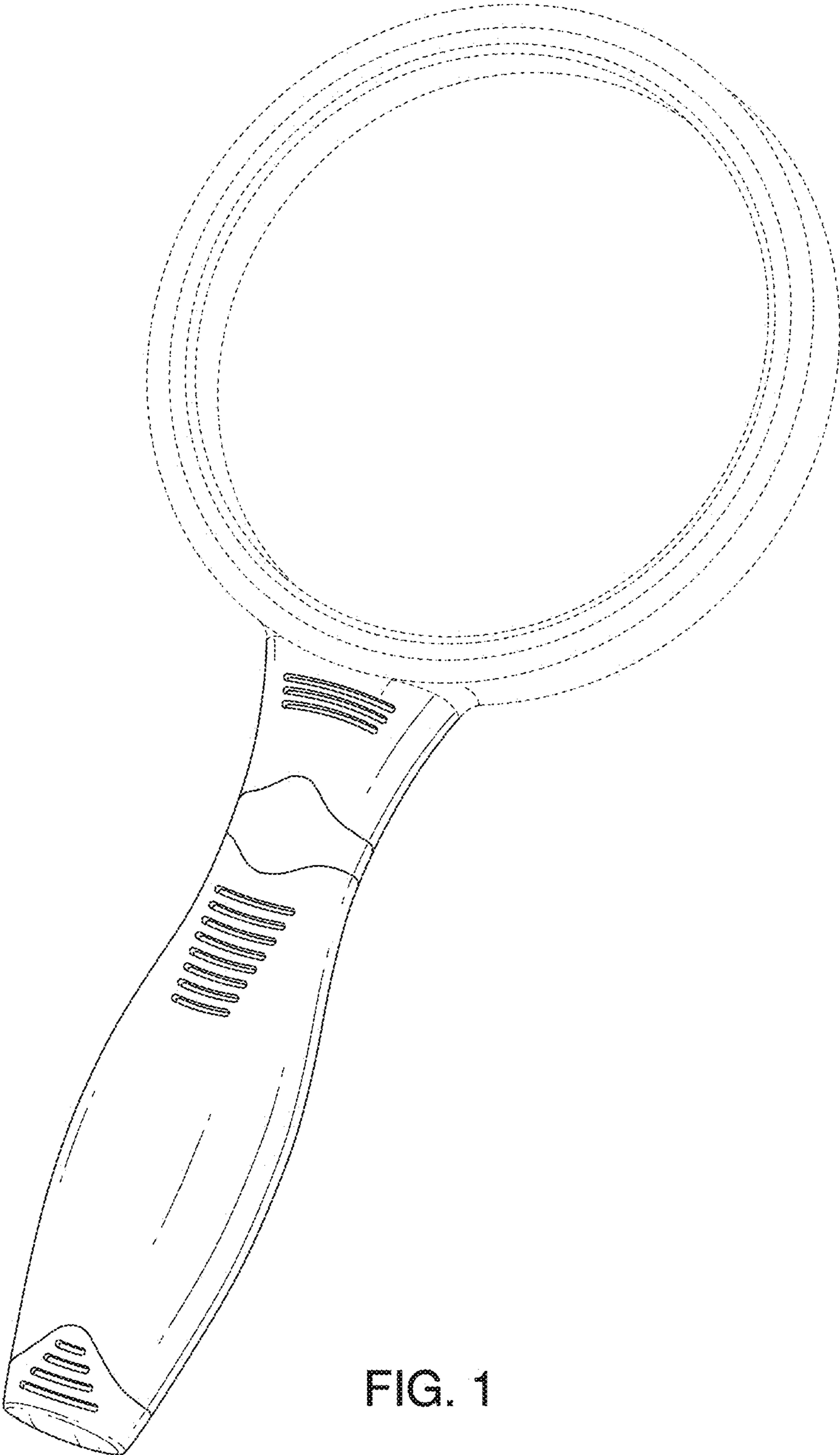


FIG. 1

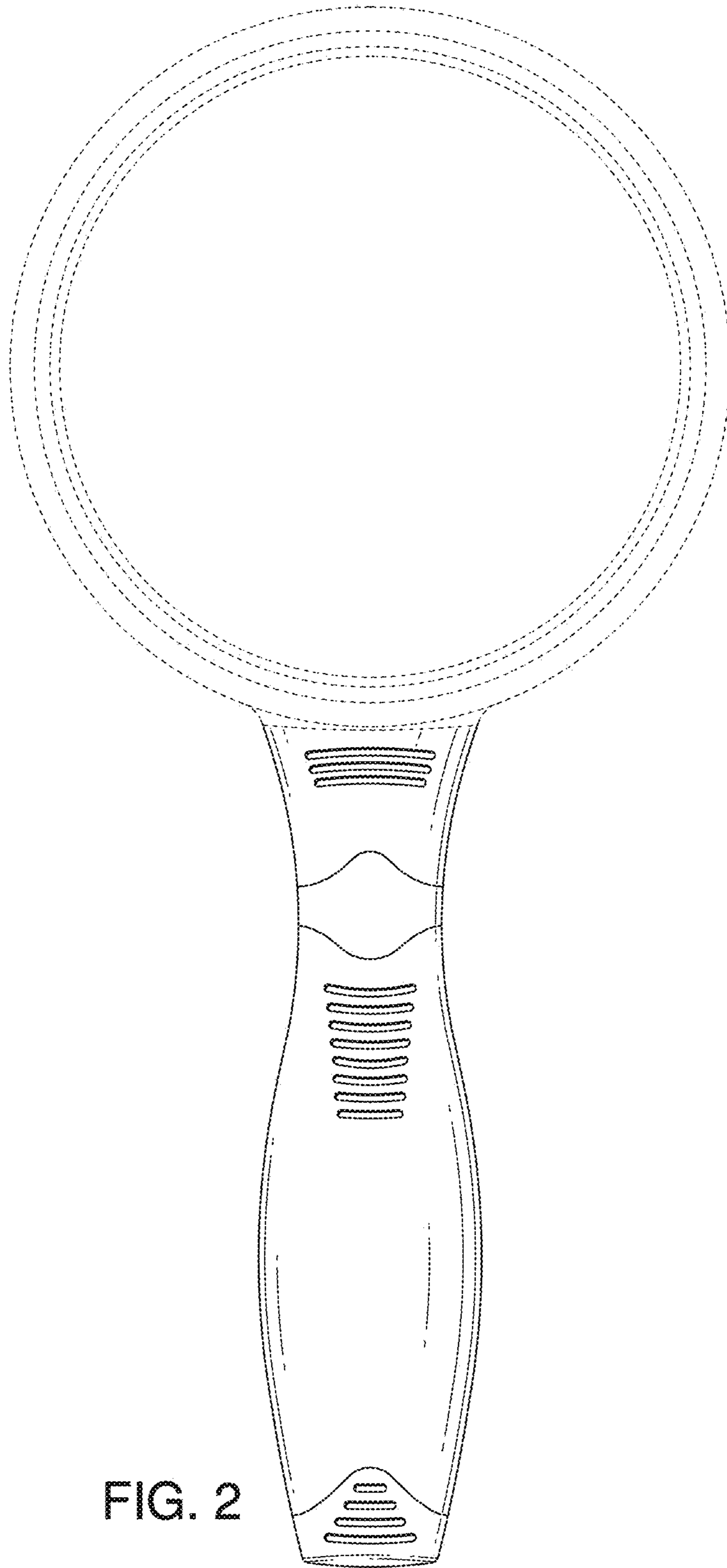


FIG. 2

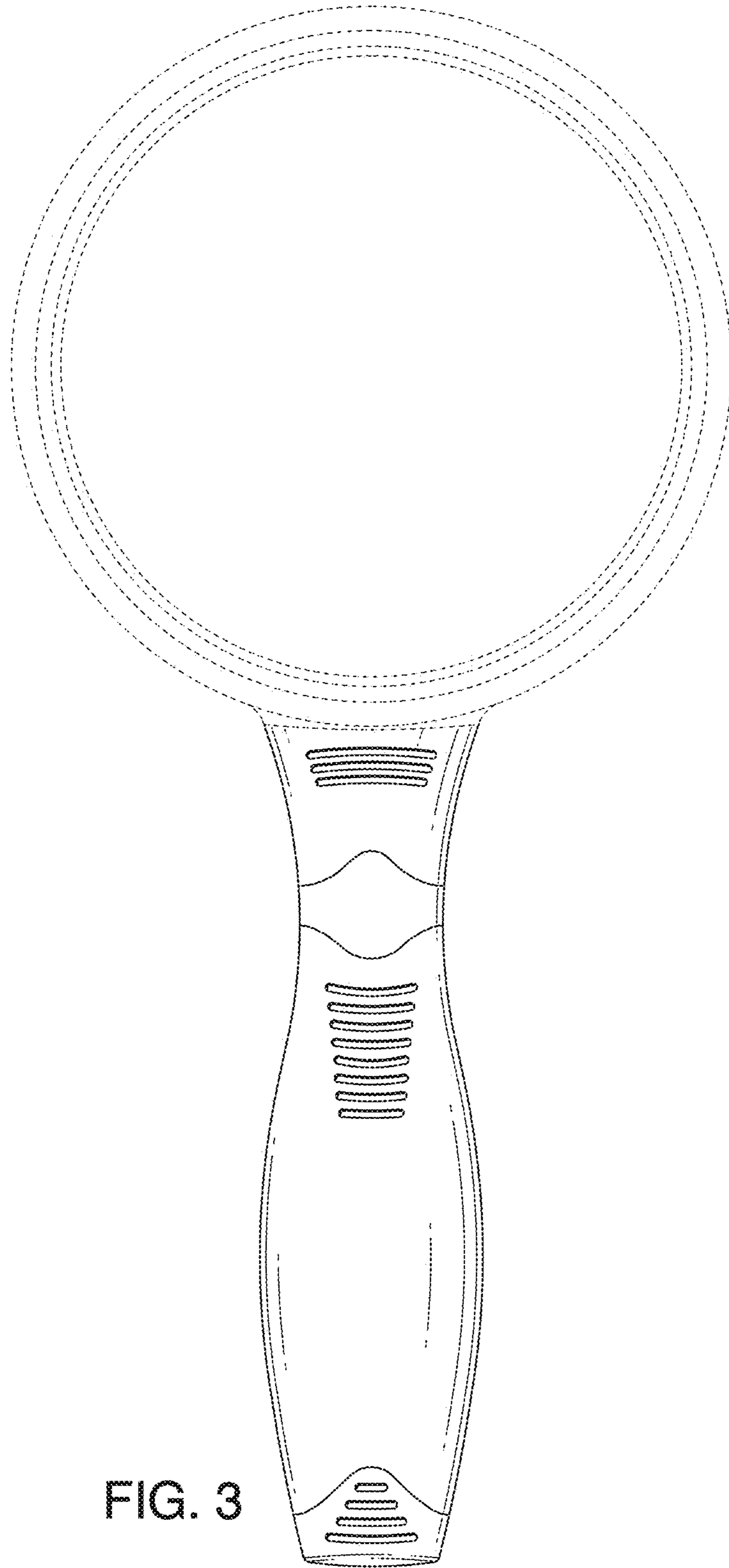
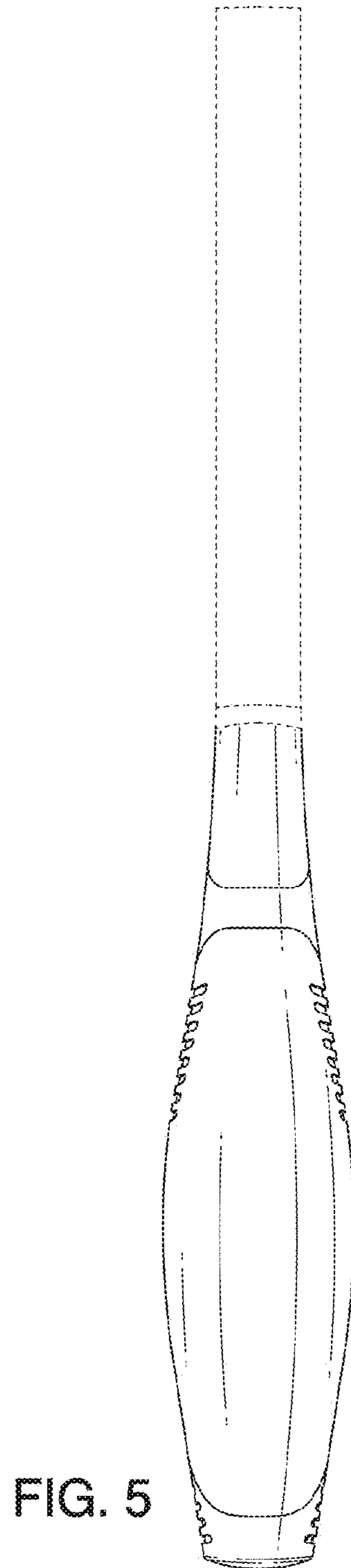
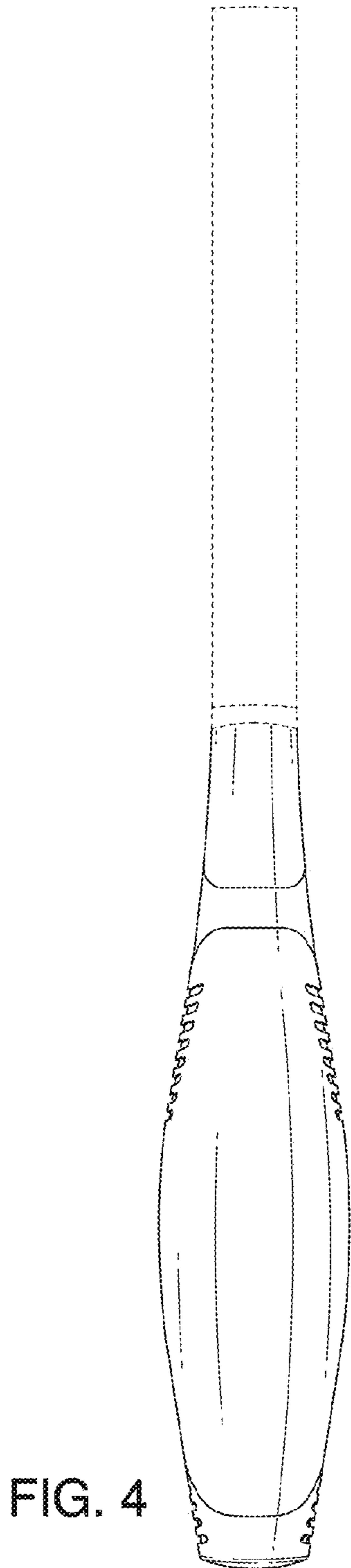


FIG. 3



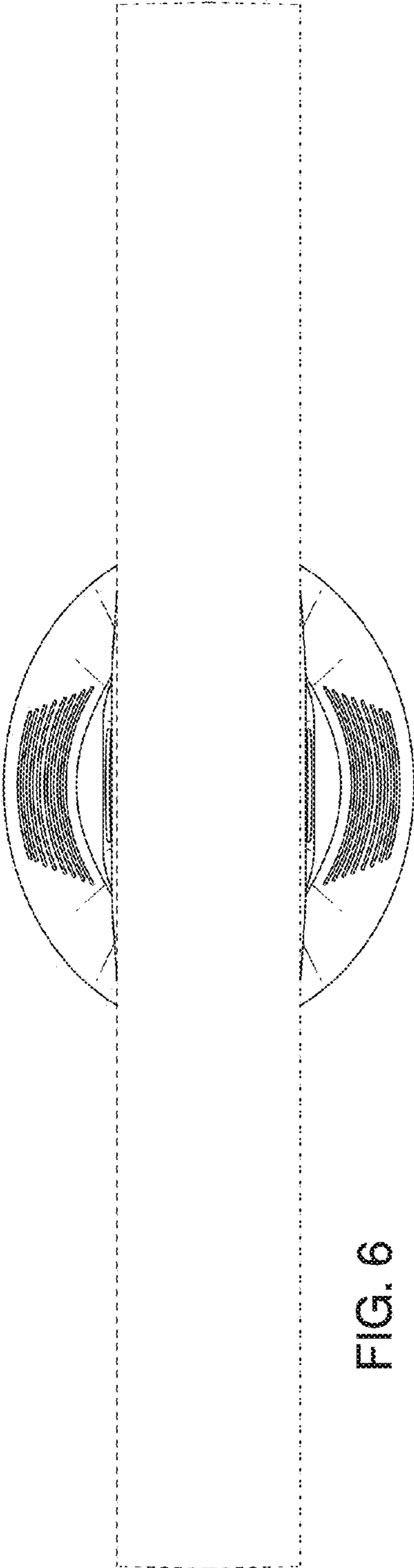


FIG. 6

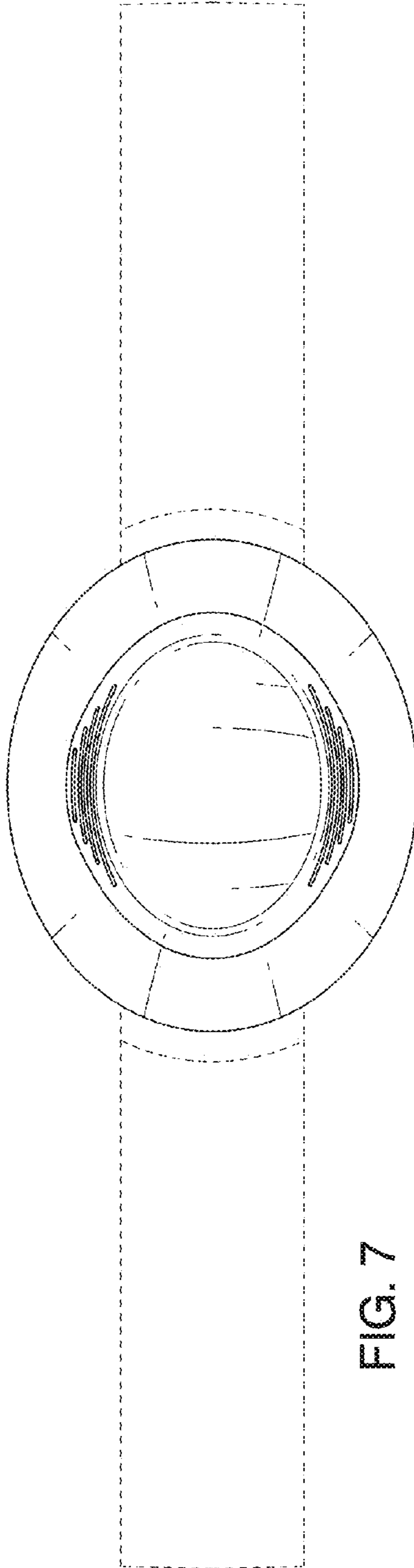


FIG. 7