



US00D719431S

(12) **United States Design Patent**
Gridley

(10) **Patent No.:** **US D719,431 S**

(45) **Date of Patent:** **** Dec. 16, 2014**

(54) **POLE ACCESSORY WITH SWIVEL BALL**

(71) Applicant: **William Gridley**, Dousman, WI (US)

(72) Inventor: **William Gridley**, Dousman, WI (US)

(**) Term: **14 Years**

(21) Appl. No.: **29/455,317**

(22) Filed: **May 20, 2013**

(51) **LOC (10) CL.** **08-05**

(52) **U.S. Cl.**
USPC **D8/90**

(58) **Field of Classification Search**
USPC D8/14, 45, 62, 90; D32/40; 451/344,
451/354, 356, 503, 514, 516, 523, 524, 525
See application file for complete search history.

(56) **References Cited**

U.S. PATENT DOCUMENTS

4,062,152	A *	12/1977	Mehrer	451/344
4,516,360	A *	5/1985	Gringer et al.	451/516
D311,318	S *	10/1990	Ovens	D8/90
5,036,627	A *	8/1991	Walters	451/354
D346,944	S *	5/1994	Poole	D8/90
D369,080	S *	4/1996	Tollis	D8/90
D392,860	S *	3/1998	Brown	D8/62
6,053,805	A *	4/2000	Sanchez	451/456

D512,295	S *	12/2005	Florio	D8/90
7,815,494	B2 *	10/2010	Gringer et al.	451/344
D652,283	S *	1/2012	Arvinte et al.	D8/90
D659,503	S *	5/2012	Arvinte et al.	D8/90
D680,844	S *	4/2013	Thompson et al.	D8/90

* cited by examiner

Primary Examiner — Philip S Hyder

Assistant Examiner — Darlington Ly

(74) *Attorney, Agent, or Firm* — Monty Simmons; Simmons Patents

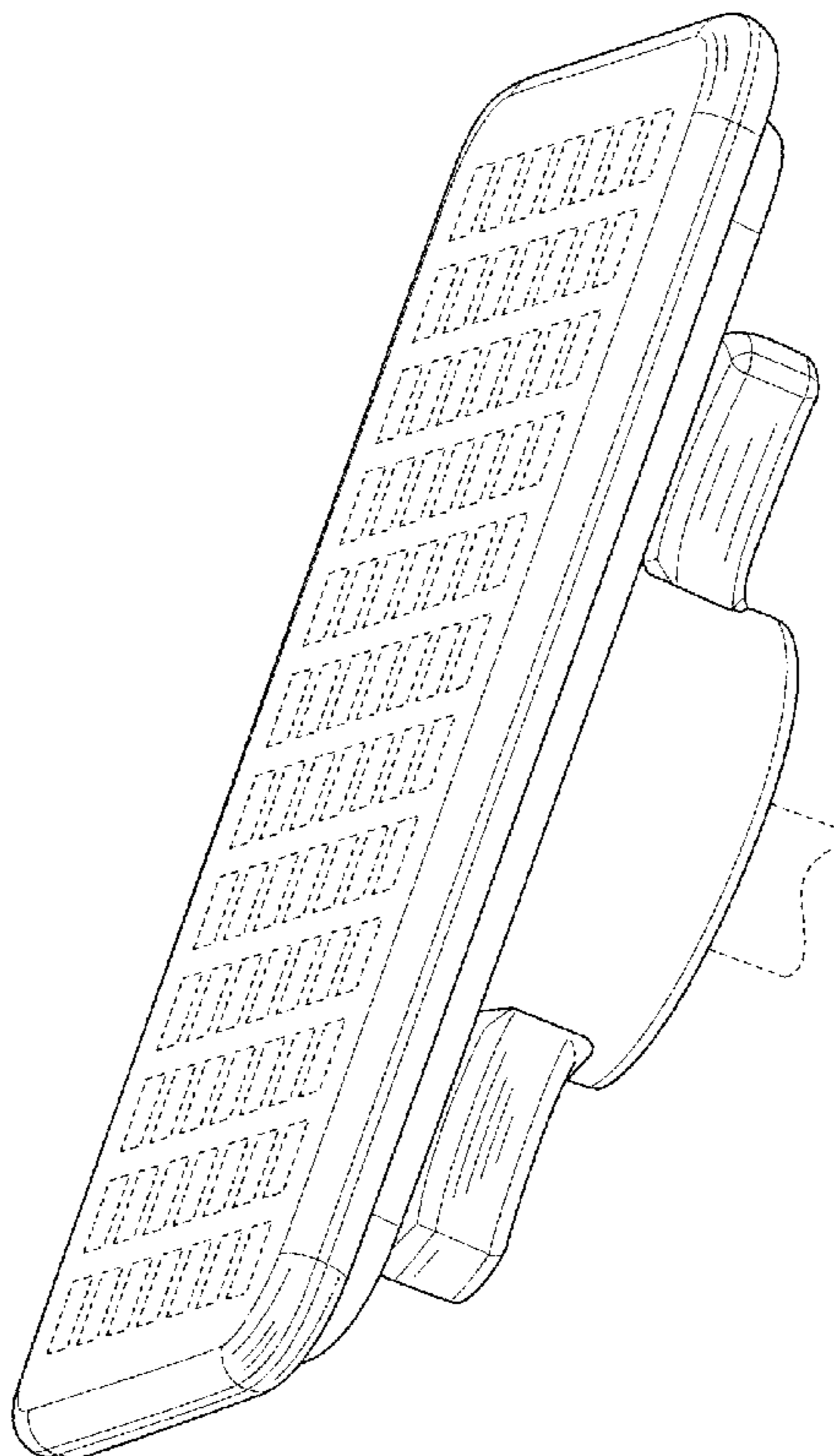
(57) **CLAIM**

The ornamental design for a pole accessory with swivel ball, as shown and described.

DESCRIPTION

FIG. 1 is a bottom isometric view of a swivel ball pole accessory;
FIG. 2 is a top isometric view thereof;
FIG. 3 is a top plan view thereof;
FIG. 4 is a right side elevation view thereof;
FIG. 5 is a front side elevation view thereof; and,
FIG. 6 is a bottom plan view thereof.
The broken lines in a drawing illustrate environmental structure and portions of the pole accessory with swivel ball that forms no part of the claimed design.

1 Claim, 6 Drawing Sheets



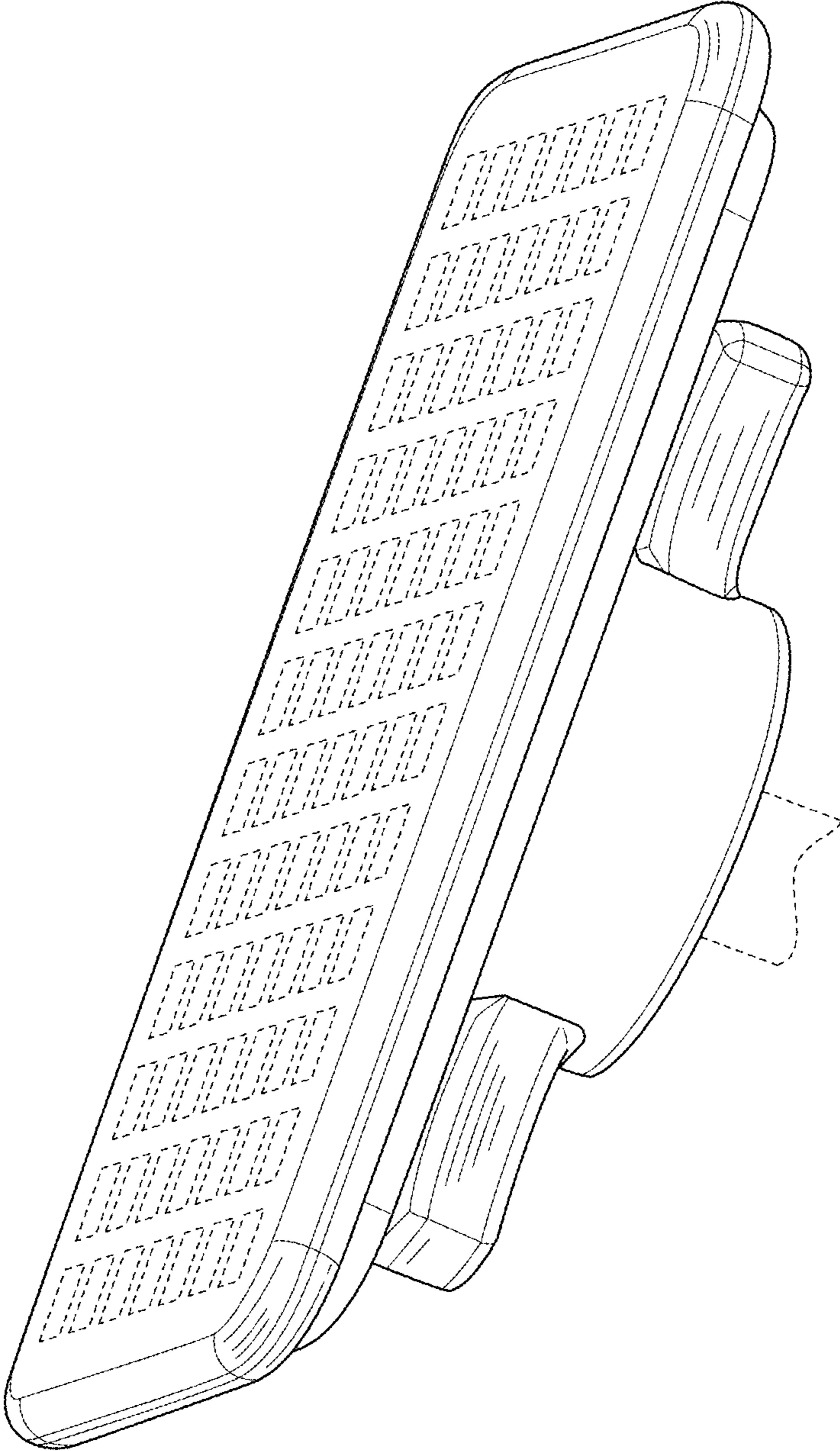


FIG. 1

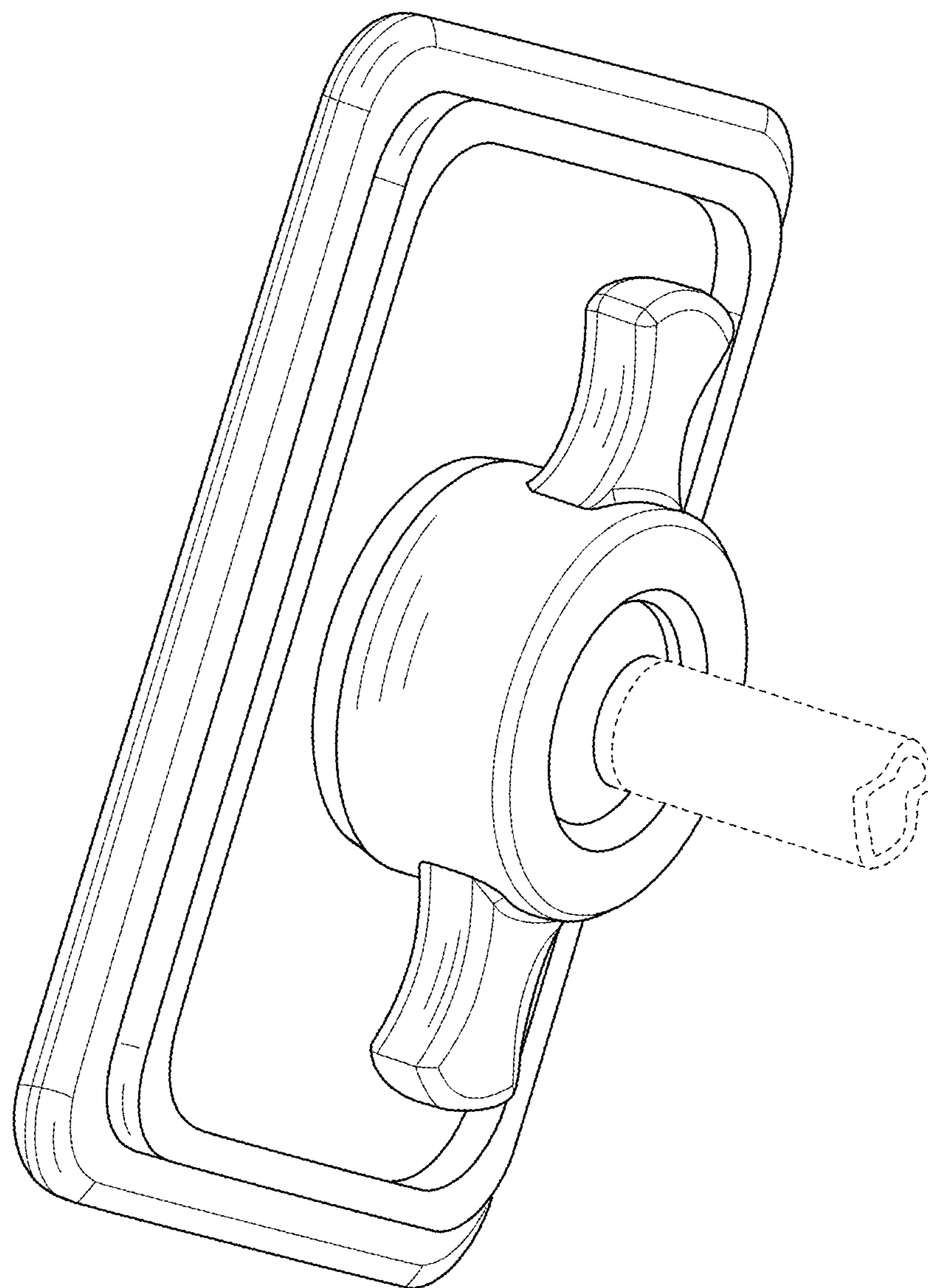


FIG. 2

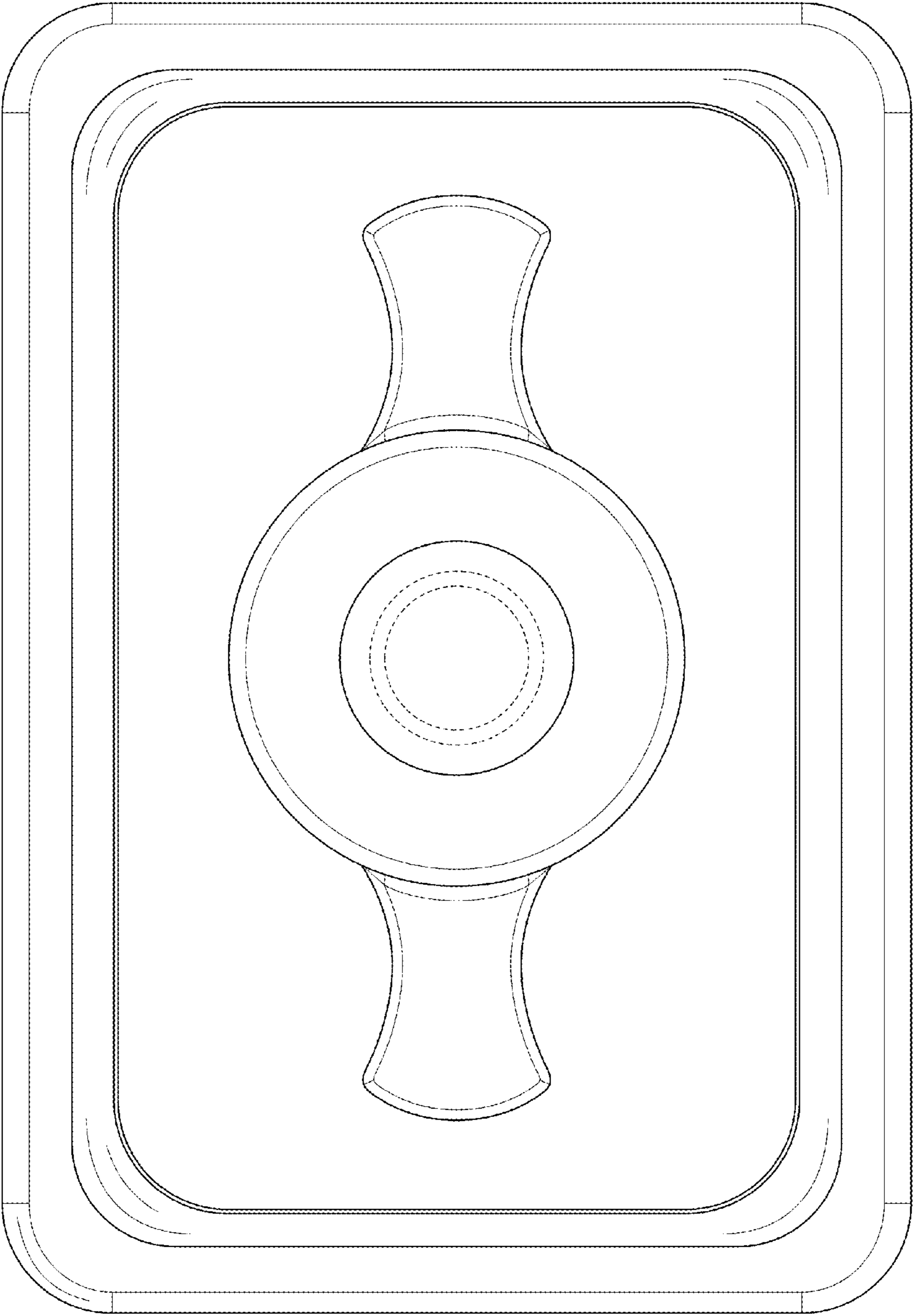


FIG. 3

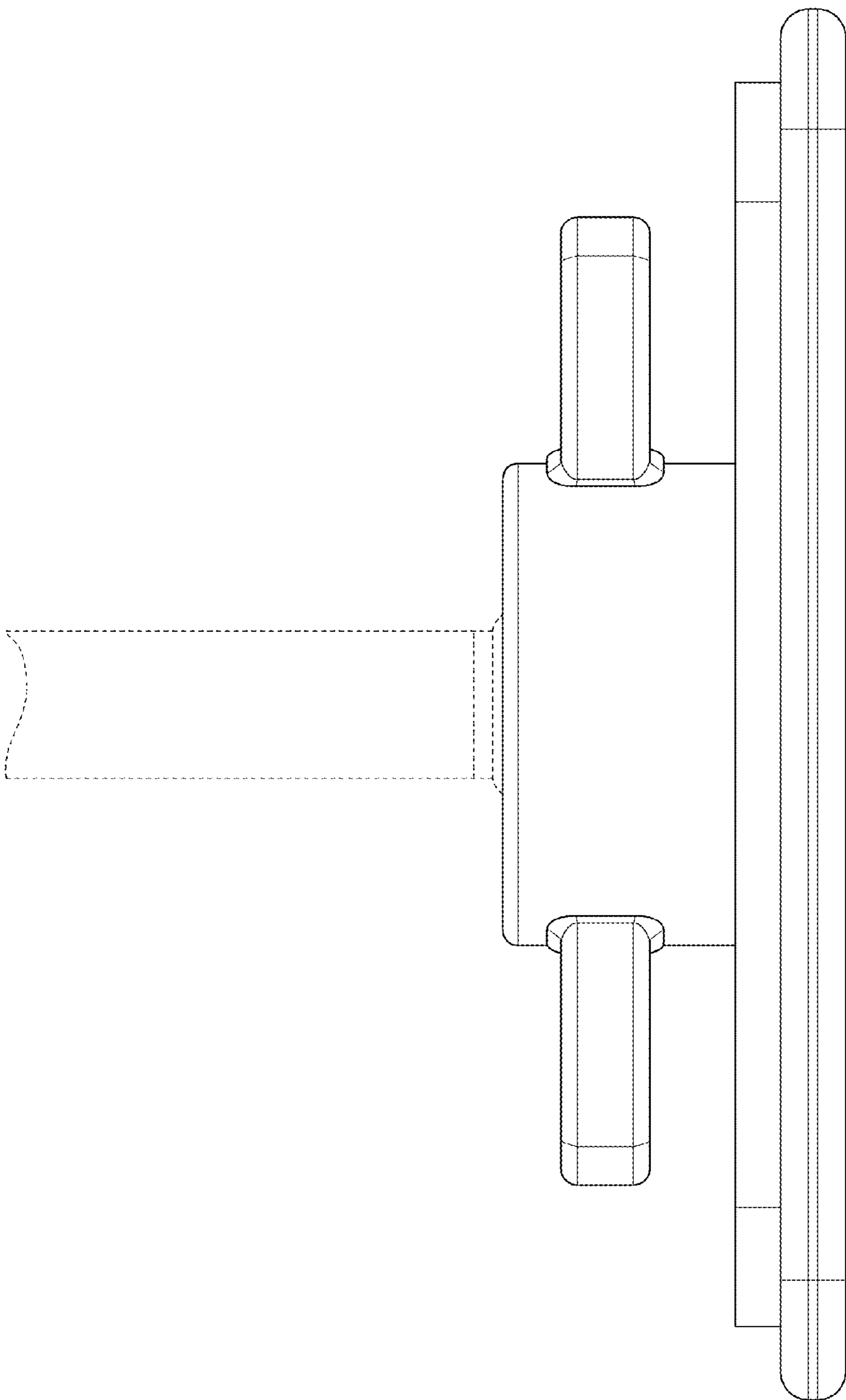


FIG. 4

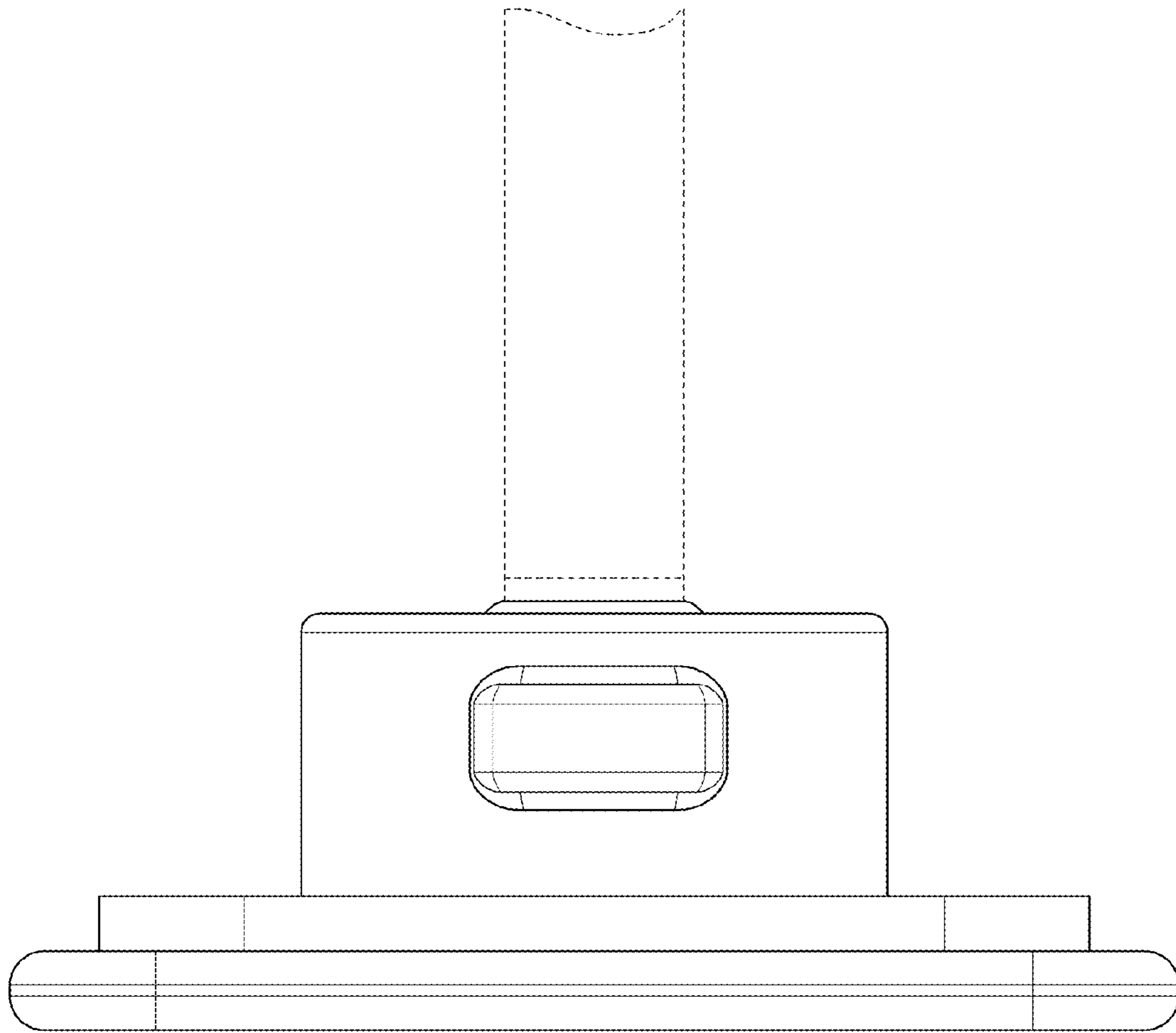


FIG. 5

FIG. 6

