



US00D719428S

(12) **United States Design Patent**  
**Aoki et al.**

(10) **Patent No.:** **US D719,428 S**

(45) **Date of Patent:** **\*\* Dec. 16, 2014**

(54) **PORTABLE ELECTRIC HAMMER DRILL**

(71) Applicant: **Hitachi Koki Co., Ltd.**, Tokyo (JP)

(72) Inventors: **Yoshiki Aoki**, Ibaraki (JP); **Masanori Okada**, Ibaraki (JP); **Hideki Yamada**, Ibaraki (JP)

(73) Assignee: **Hitachi Koki Co., Ltd.**, Minato-Ku, Tokyo (JP)

(\*\*) Term: **14 Years**

(21) Appl. No.: **29/457,866**

(22) Filed: **Jun. 13, 2013**

(30) **Foreign Application Priority Data**

Dec. 13, 2012 (JP) ..... 2012-030452

(51) **LOC (10) Cl.** ..... **08-04**

(52) **U.S. Cl.**  
USPC ..... **D8/68**

(58) **Field of Classification Search**  
USPC ..... D8/14.1, 61-70; 81/429, 454-456, 469, 81/489; 173/104, 114, 168-171, 178, 201, 173/211, 213, 217; 408/20, 124, 125, 234; 388/809

See application file for complete search history.

(56) **References Cited**

**U.S. PATENT DOCUMENTS**

D342,878 S \* 1/1994 Watanabe et al. .... D8/68  
D343,105 S \* 1/1994 Shibata et al. .... D8/68

D406,741 S \* 3/1999 Zurwelle ..... D8/68  
D466,779 S \* 12/2002 Shibata et al. .... D8/68  
D527,969 S \* 9/2006 Okada et al. .... D8/68  
D540,135 S \* 4/2007 Okuda ..... D8/68  
D567,614 S \* 4/2008 Okuda ..... D8/68  
D592,478 S \* 5/2009 Wright ..... D8/68  
D617,168 S \* 6/2010 Yamamoto et al. .... D8/68  
D631,721 S \* 2/2011 Aglassinger ..... D8/67  
2006/0291966 A1 \* 12/2006 Klemm et al. .... 408/124  
2007/0125565 A1 \* 6/2007 Etter et al. .... 173/170  
2009/0056967 A1 \* 3/2009 Sell et al. .... 173/205

\* cited by examiner

*Primary Examiner* — Philip S Hyder

*Assistant Examiner* — Darlington Ly

(74) *Attorney, Agent, or Firm* — Banner & Witcoff, Ltd.

(57) **CLAIM**

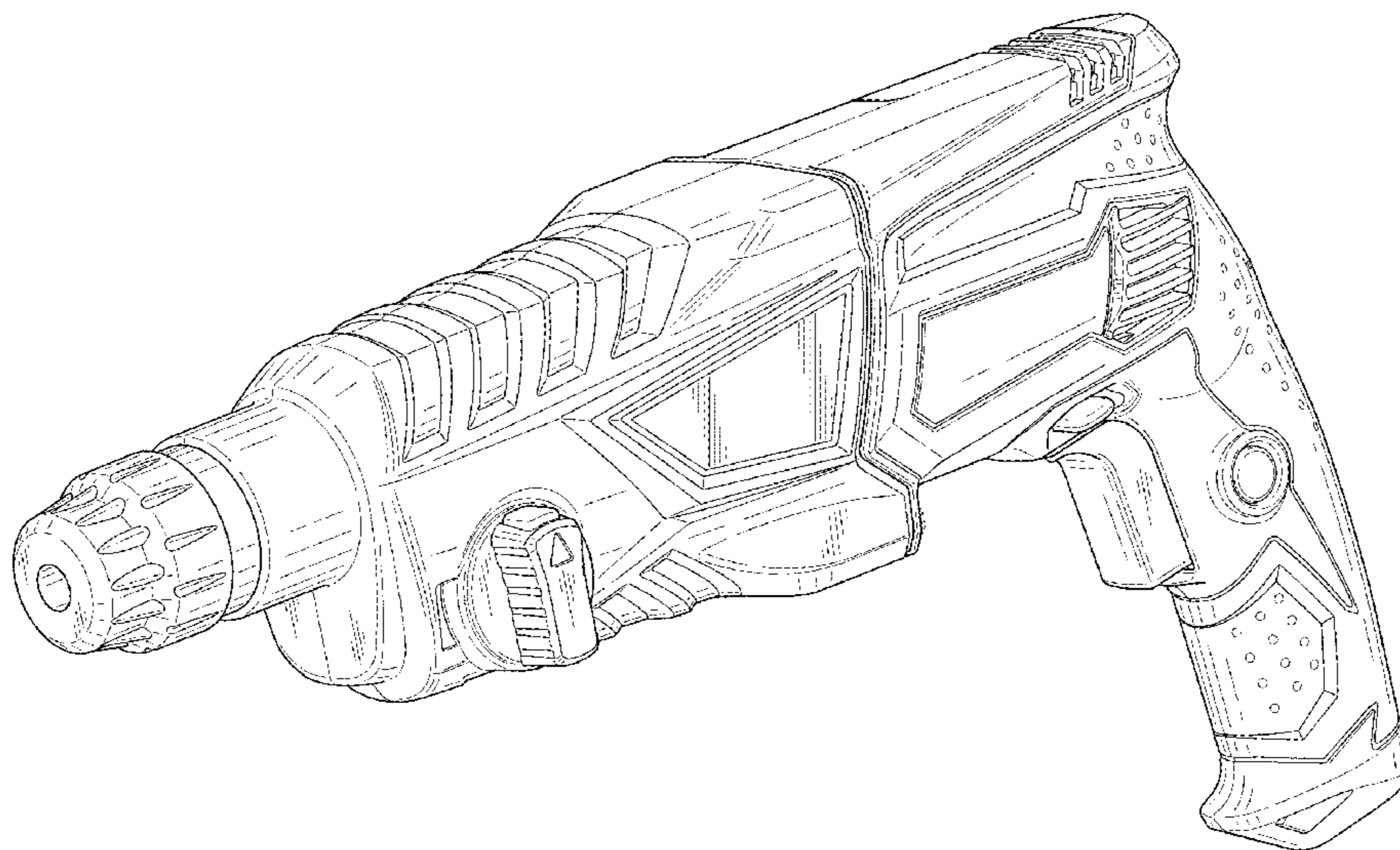
The ornamental design for a portable electric hammer drill, as shown and described.

**DESCRIPTION**

FIG. 1 is a front perspective view of the portable electric hammer drill showing our new design; FIG. 2 is a rear perspective view thereof; FIG. 3 is a front view thereof; FIG. 4 is a rear view thereof; FIG. 5 is a left side view thereof; FIG. 6 is a right side view thereof; FIG. 7 is a top plan view thereof; and, FIG. 8 is a bottom view thereof.

The broken lines represent the portions of the design that form no part of the claim.

**1 Claim, 6 Drawing Sheets**



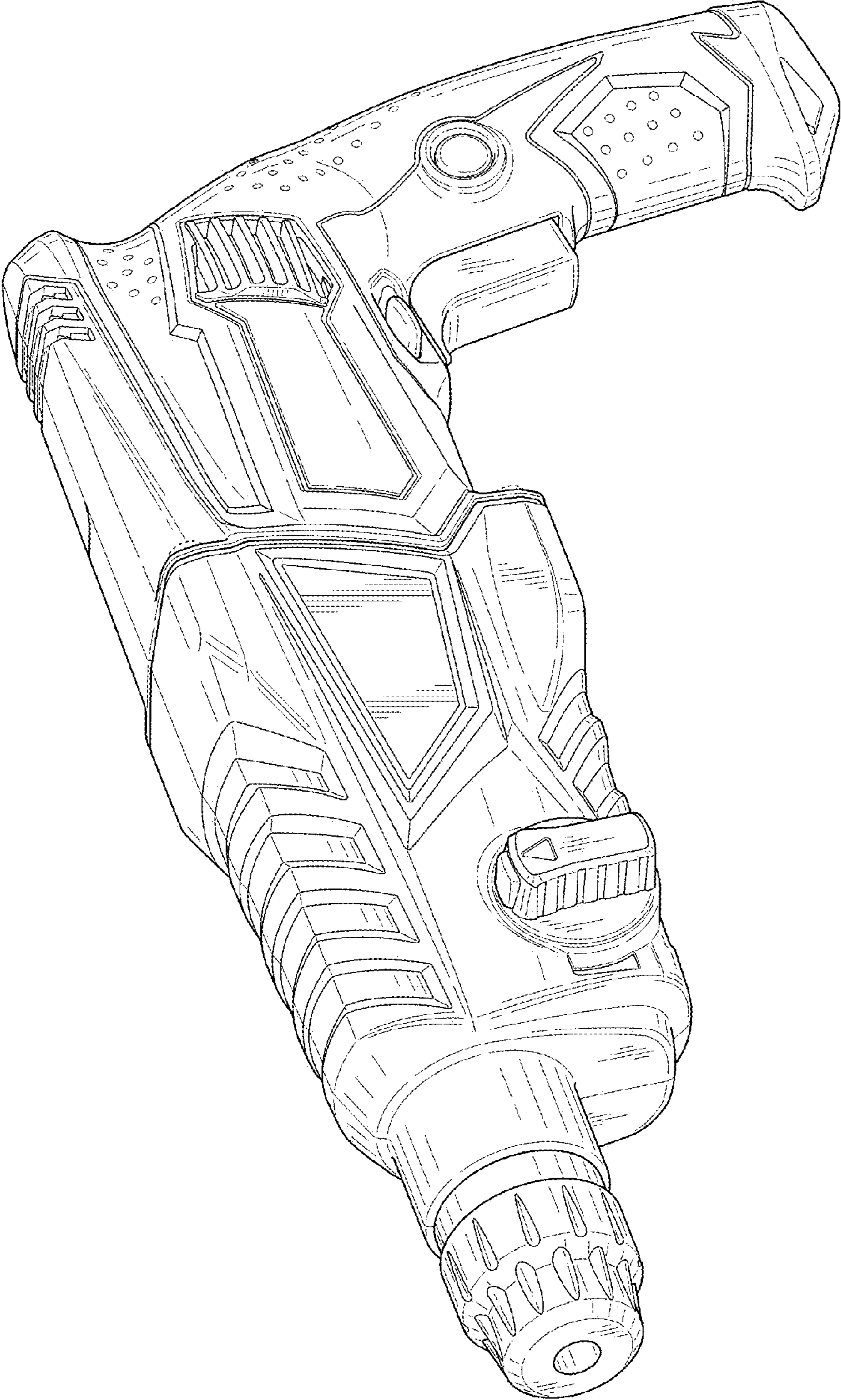


FIG. 1

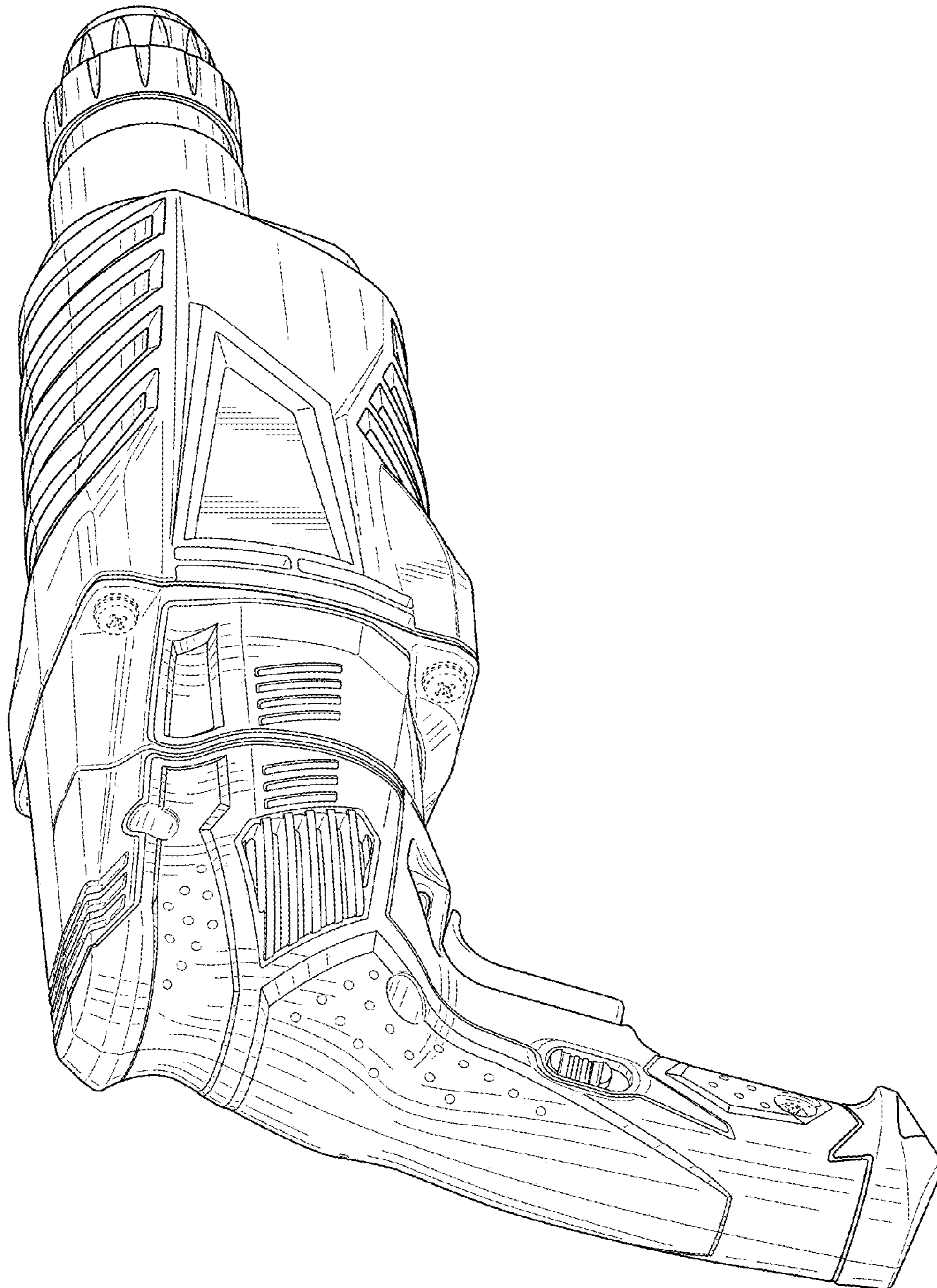


FIG. 2

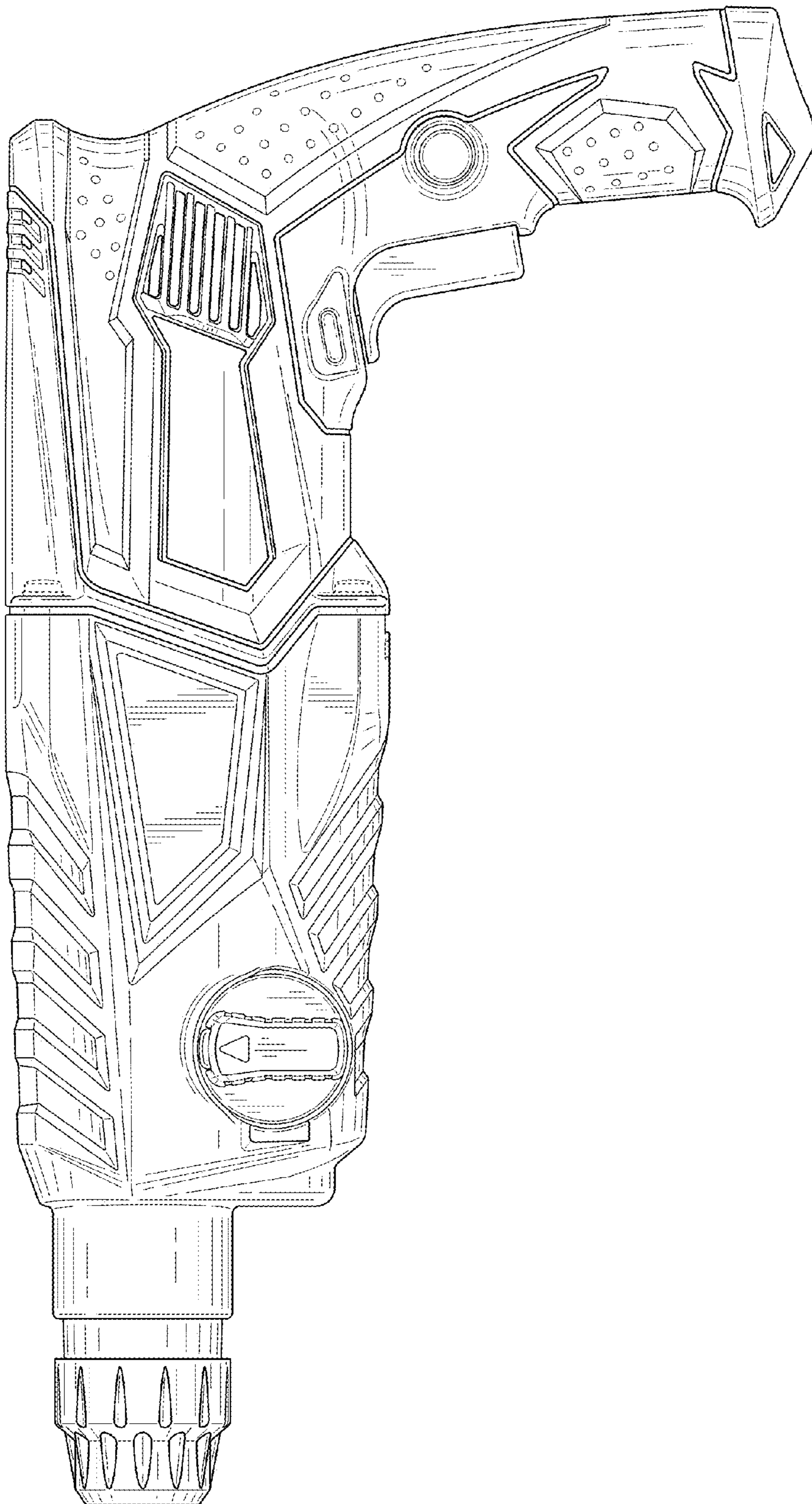


FIG. 3

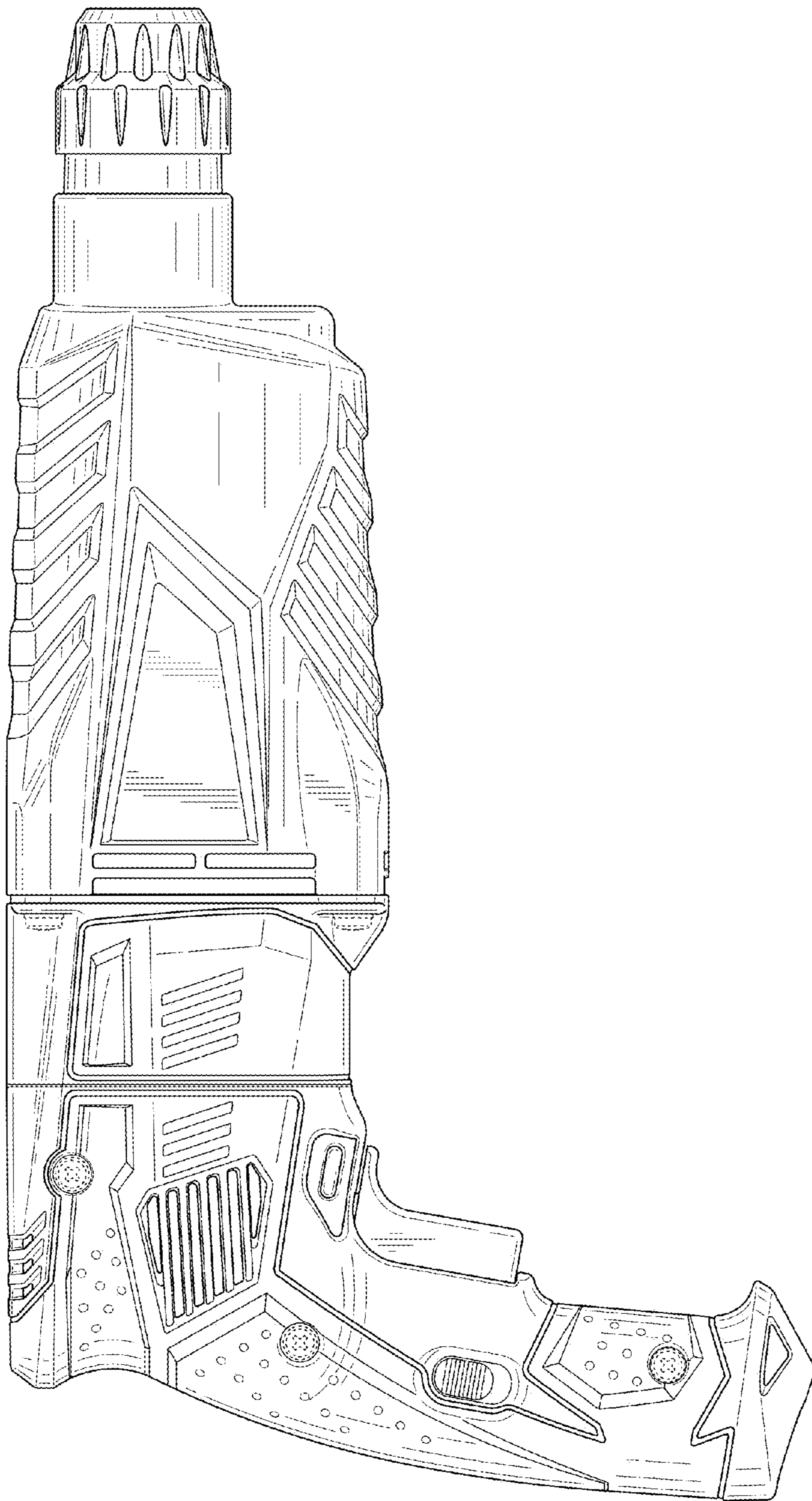


FIG. 4

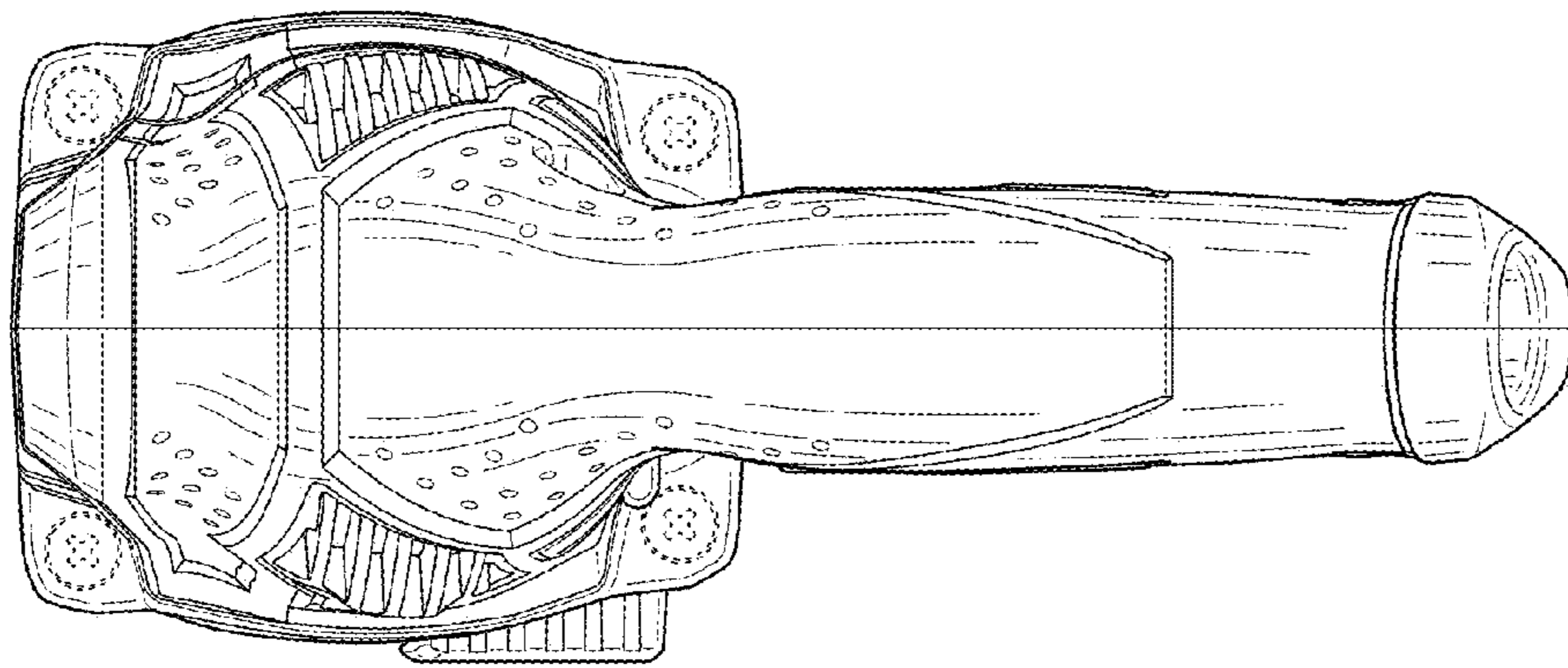


FIG. 6

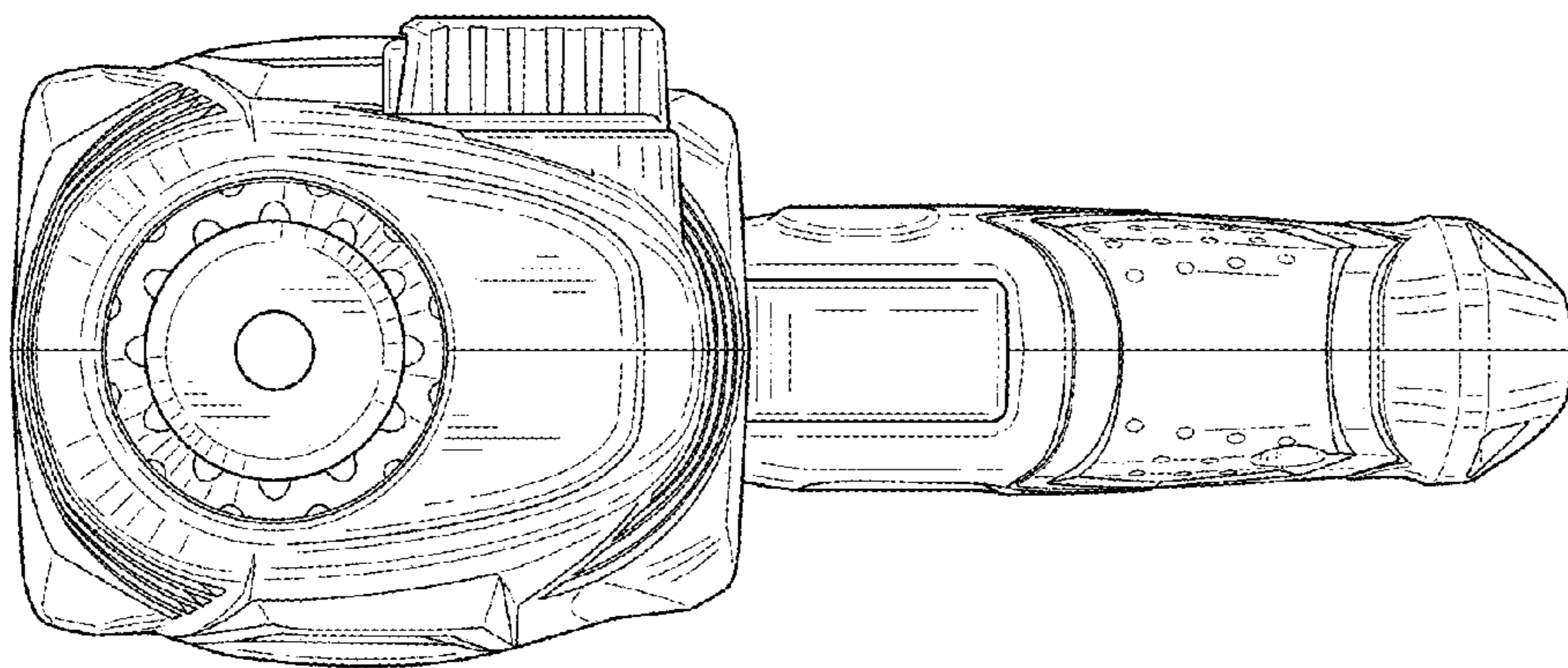


FIG. 5

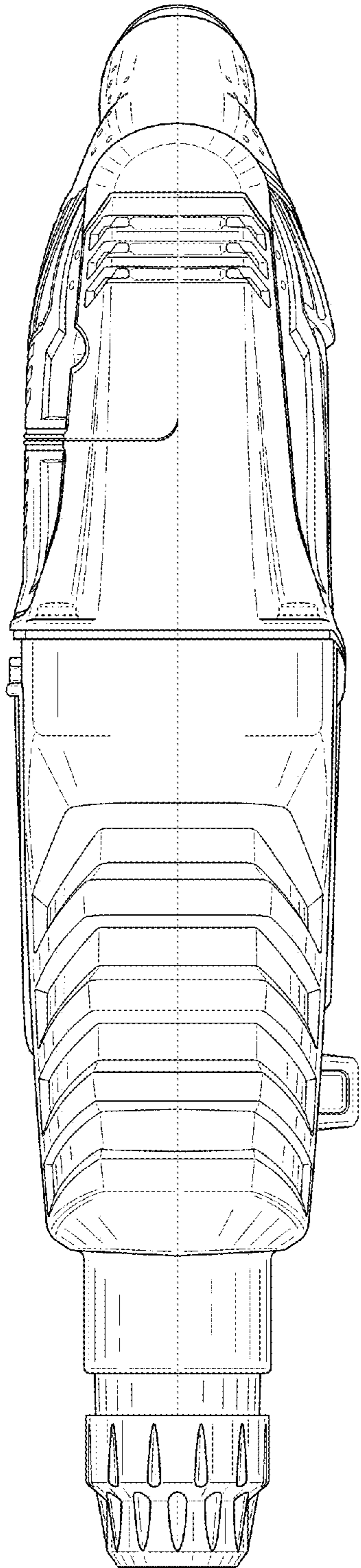


FIG. 7

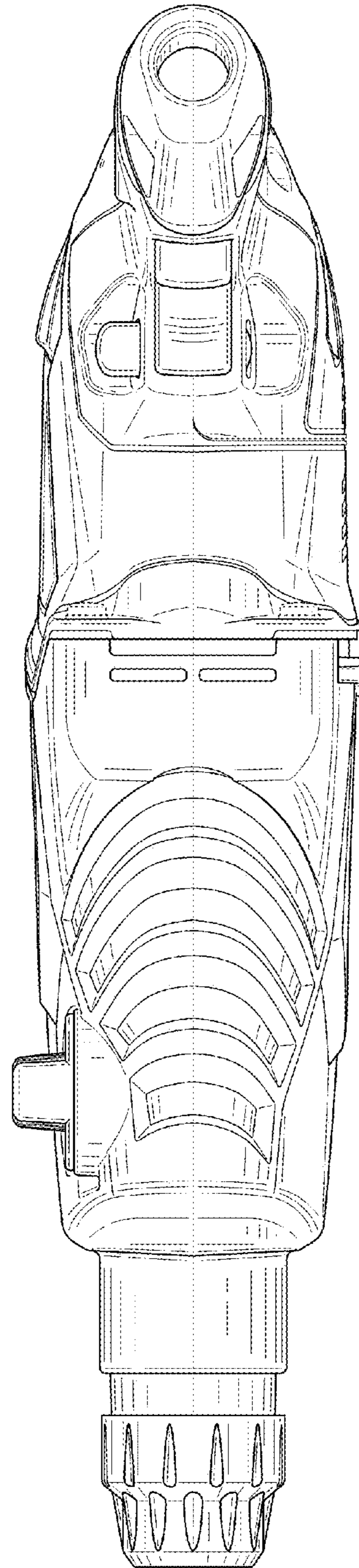


FIG. 8