



US00D719427S

(12) **United States Design Patent**  
**Hernandez**

(10) **Patent No.:** **US D719,427 S**  
(45) **Date of Patent:** **\*\* Dec. 16, 2014**

(54) **DRYWALL COMPOUND SPREADING TOOL**

(71) Applicant: **Miguel Hernandez**, Staten Island, NY  
(US)

(72) Inventor: **Miguel Hernandez**, Staten Island, NY  
(US)

(\*\*) Term: **14 Years**

(21) Appl. No.: **29/445,886**

(22) Filed: **Feb. 19, 2013**

(51) **LOC (10) Cl.** ..... **08-05**

(52) **U.S. Cl.**  
USPC ..... **D8/45**

(58) **Field of Classification Search**  
USPC ..... D8/45; D32/40, 48, 49; 7/105;  
15/236.01, 236.02, 245, 245.1; 30/171;  
D7/688

See application file for complete search history.

(56) **References Cited**

U.S. PATENT DOCUMENTS

816,665	A *	4/1906	Keene	.....	15/105
D157,904	S *	3/1950	Reusch	.....	D8/45
2,800,672	A *	7/1957	Gilyan	.....	15/105
D248,725	S *	8/1978	McClane	.....	D8/14
D298,300	S *	11/1988	Leray	.....	D8/45
4,794,694	A *	1/1989	Daniel et al.	.....	30/169
D367,344	S *	2/1996	Kruse	.....	D32/49
5,638,570	A	6/1997	Gruner		
5,759,590	A *	6/1998	Cacossa	.....	425/183
D416,453	S	11/1999	Egan		

6,240,591	B1	6/2001	Maxted		
6,295,689	B1 *	10/2001	Sciacca	.....	15/245.1
6,606,758	B1	8/2003	Fridman		
D583,204	S *	12/2008	Creswell	.....	D8/14
7,458,127	B2 *	12/2008	Bruno et al.	.....	15/235.4
7,647,668	B2	1/2010	Meyerl		
8,191,267	B2 *	6/2012	Patel et al.	.....	30/339
8,205,289	B1 *	6/2012	Croft	.....	15/245.1
8,656,549	B2 *	2/2014	Watters	.....	15/245.1
2002/0002754	A1	1/2002	Wendel		
2002/0104182	A1 *	8/2002	Panfili et al.	.....	15/236.01
2007/0056133	A1 *	3/2007	Pyatt et al.	.....	15/235.4
2008/0209658	A1 *	9/2008	Rosso et al.	.....	15/245.1
2008/0295435	A1 *	12/2008	Uva	.....	52/514

\* cited by examiner

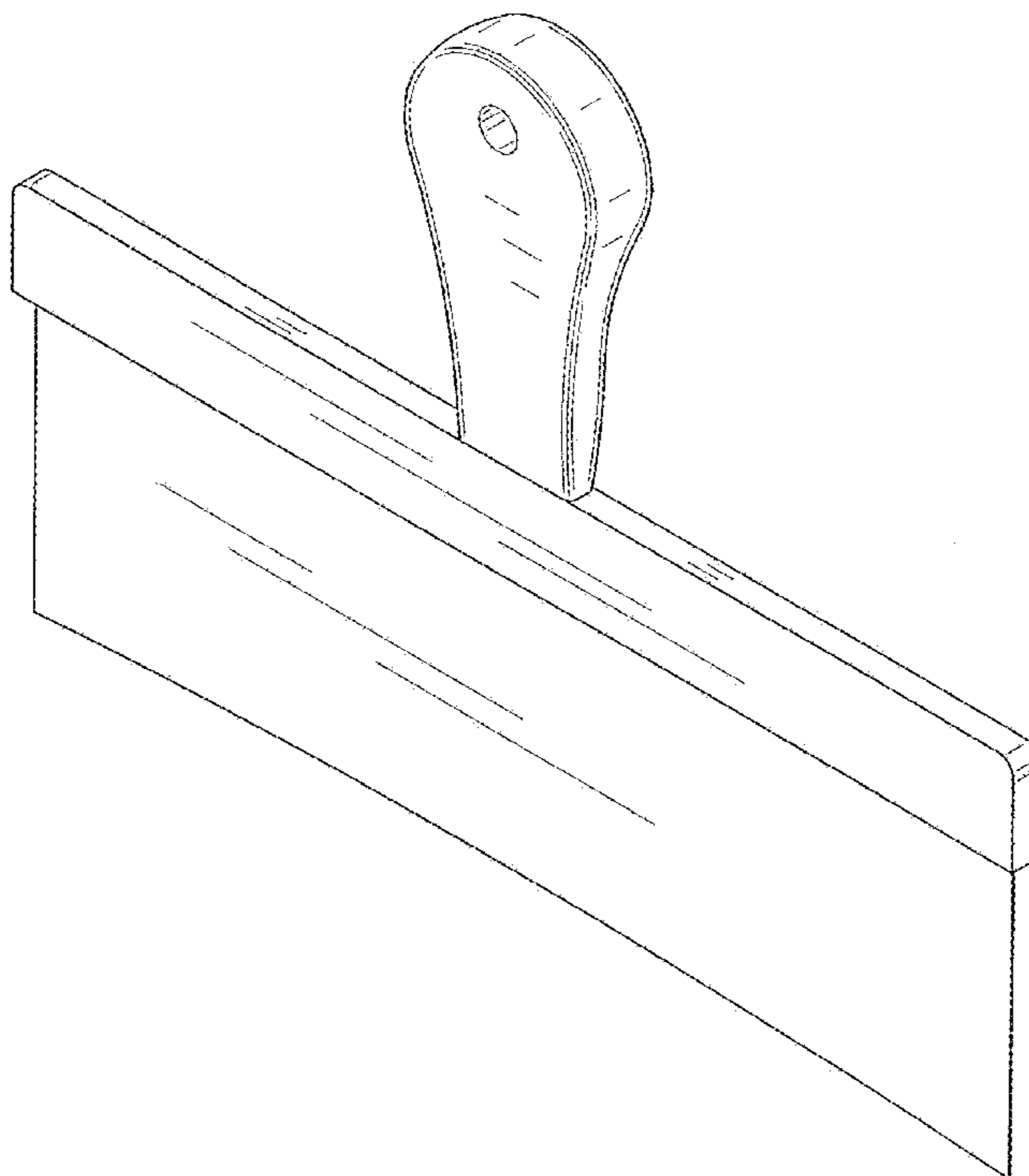
*Primary Examiner* — Adir Aronovich  
*Assistant Examiner* — Ethiene Salgado-Rodriguez

(57) **CLAIM**  
The ornamental design for a drywall compound spreading tool, as shown and described.

**DESCRIPTION**

FIG. 1 is a front elevational view of a drywall compound spreading tool showing my new design; the undisclosed rear elevational view being a mirror image thereof; FIG. 2 is a right side elevational view of the drywall compound spreading tool; the undisclosed left side elevational view being a mirror image thereof; FIG. 3 is a top plan view thereof; FIG. 4 is a bottom plan view thereof; and, FIG. 5 is a rear perspective view thereof.

**1 Claim, 4 Drawing Sheets**



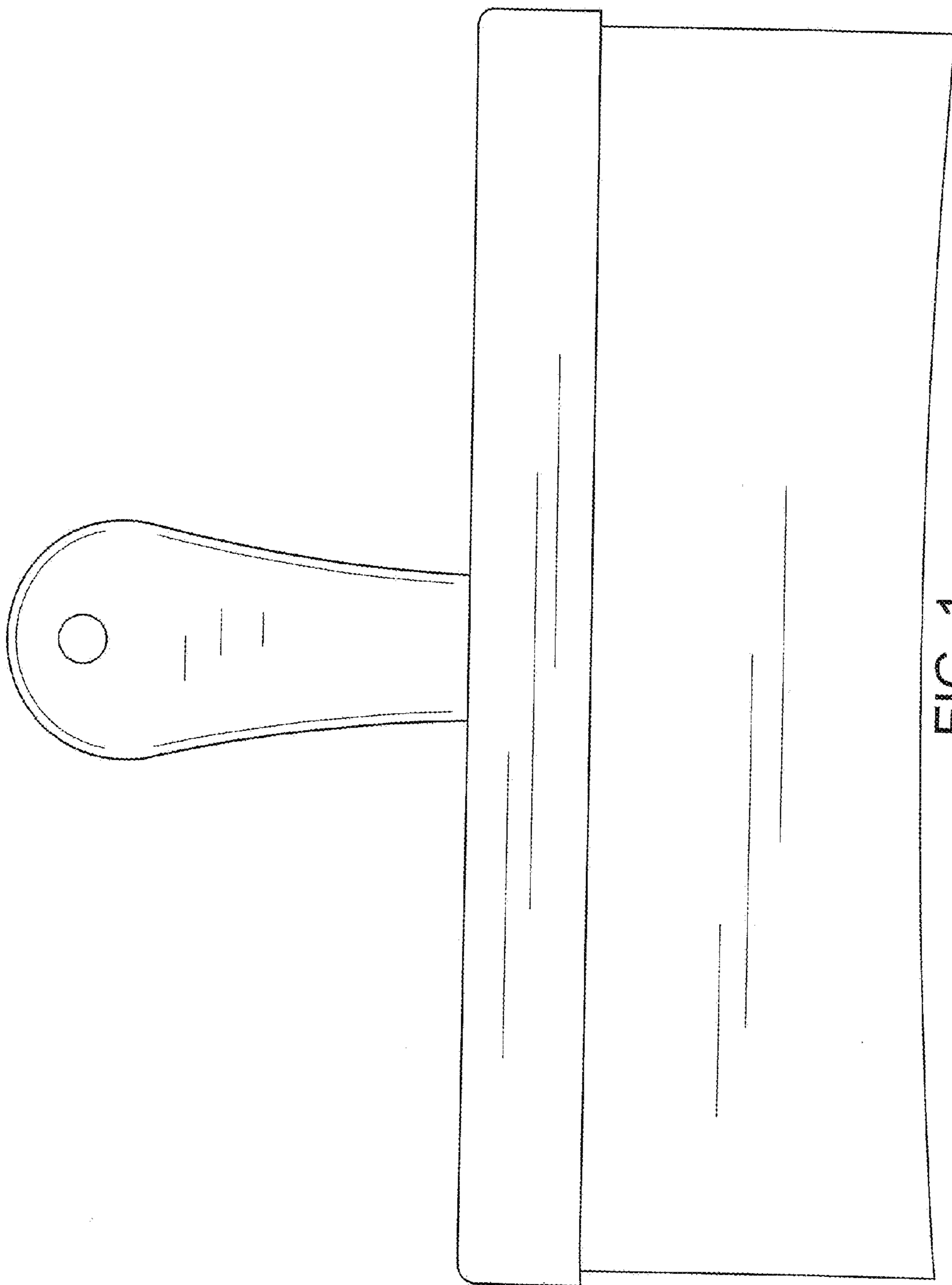


FIG. 1

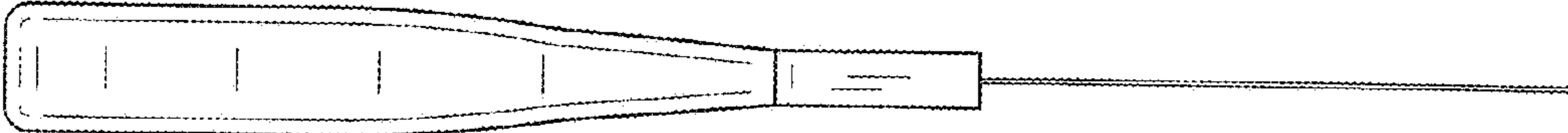


FIG. 2



FIG. 3

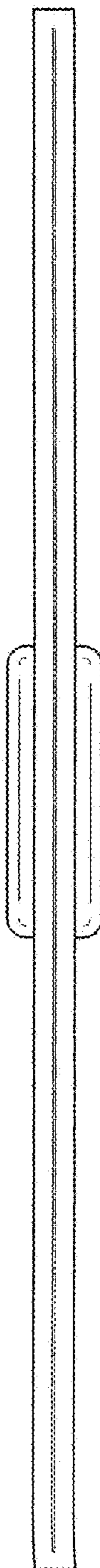


FIG. 4

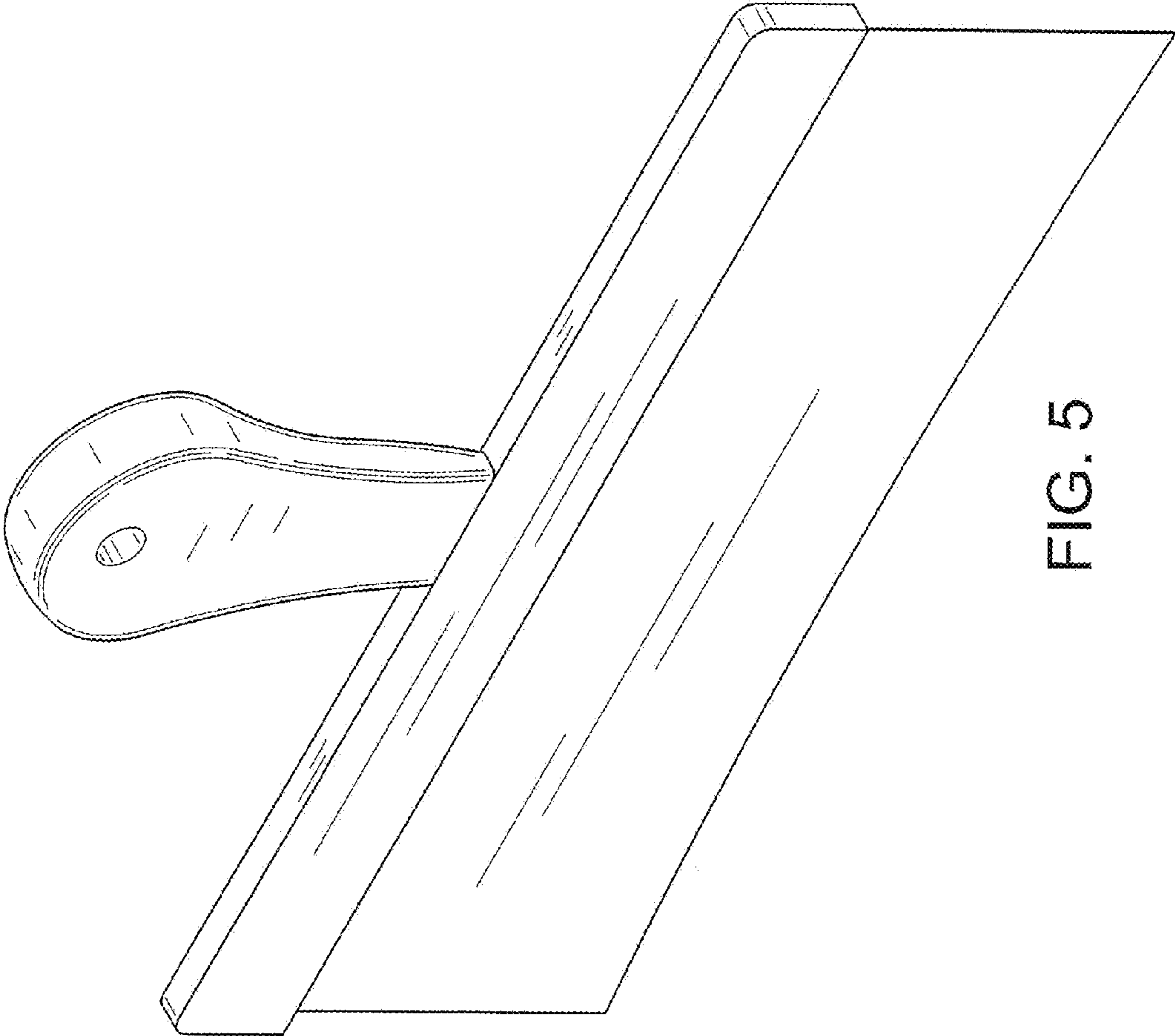


FIG. 5