



US00D719425S

(12) **United States Design Patent**
Weiser et al.

(10) **Patent No.:** **US D719,425 S**

(45) **Date of Patent:** **** Dec. 16, 2014**

(54) **CAULKING GUN**

(71) Applicant: **Oozy USA, LLC**, Boca Raton, FL (US)

(72) Inventors: **Alan Weiser**, Parkland, FL (US);
Shabtai Chassan, Boca Raton, FL (US)

(73) Assignee: **Oozy USA, LLC**, Boca Raton, FL (US)

(**) Term: **14 Years**

(21) Appl. No.: **29/441,643**

(22) Filed: **Jan. 8, 2013**

(51) **LOC (10) Cl.** **08-05**

(52) **U.S. Cl.**
USPC **D8/14.1**

(58) **Field of Classification Search**
USPC D8/14, 14.1, 29.1, 51, 61, 68; 222/92,
222/105, 145.1, 160, 325-327, 330, 333,
222/386, 391, 567; 74/141.5
See application file for complete search history.

(56) **References Cited**

U.S. PATENT DOCUMENTS

D388,672 S * 1/1998 Kelders et al. D8/14.1
6,176,398 B1 * 1/2001 Chang 222/391
6,286,729 B1 * 9/2001 Lin 222/391
6,454,138 B1 * 9/2002 Greenhill et al. 222/391

6,488,180 B1 * 12/2002 Bayat 222/137
D505,306 S * 5/2005 Gaddy D8/14.1
D511,077 S * 11/2005 Huang D8/14.1
7,011,238 B1 * 3/2006 Sung 222/391
D619,863 S * 7/2010 Shih D8/14.1
D640,517 S * 6/2011 Rumrill et al. D8/14.1
8,701,237 B2 * 4/2014 Brosche 15/105
2008/0041886 A2 * 2/2008 Rumrill et al. 222/391

* cited by examiner

Primary Examiner — George D Kirschbaum

Assistant Examiner — Jennifer Watkins

(74) *Attorney, Agent, or Firm* — McHale & Slavin, P.A.

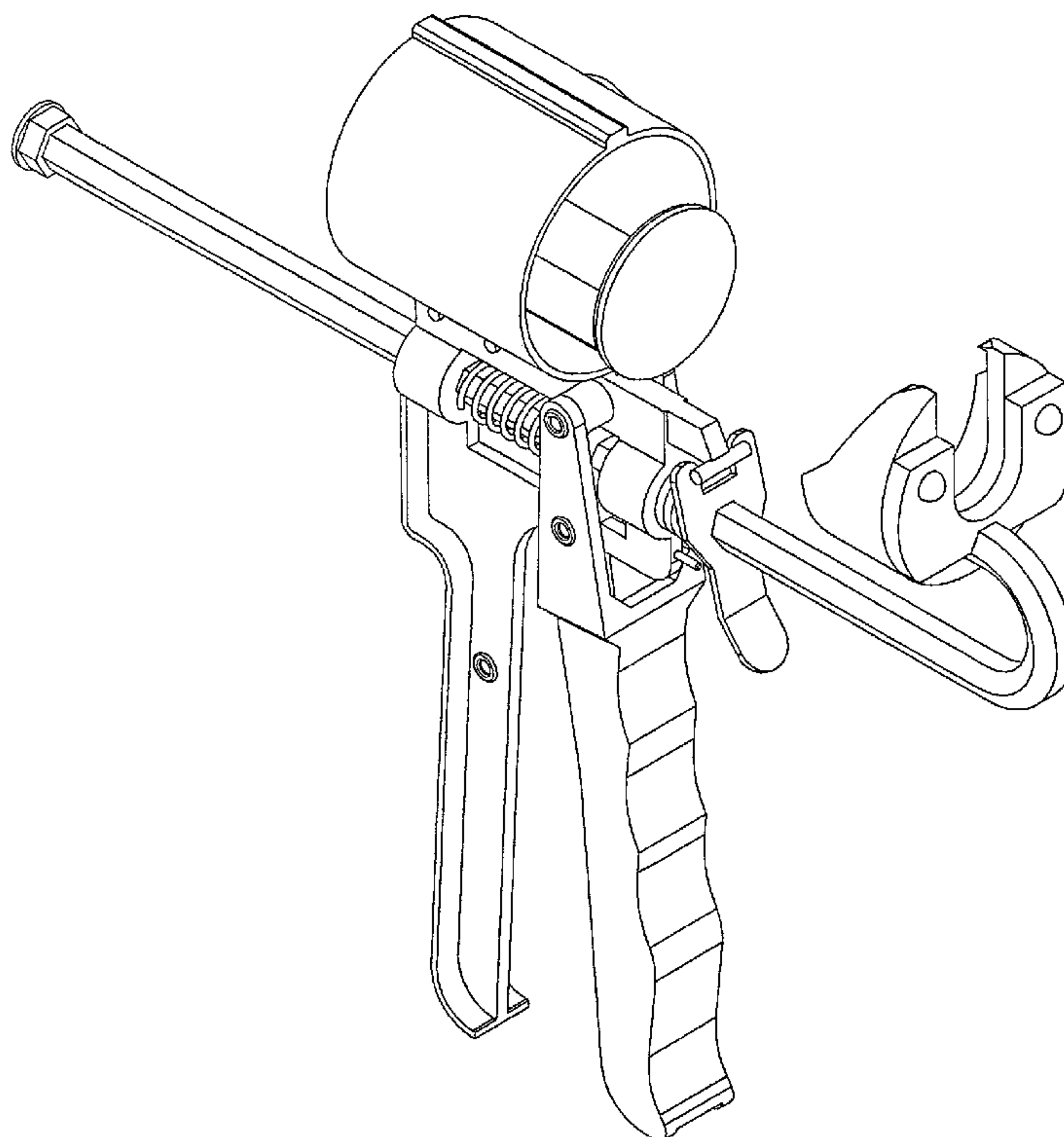
(57) **CLAIM**

The ornamental design for a caulking gun, as shown and described.

DESCRIPTION

FIG. 1 is a top left perspective view of the caulking gun of the instant invention;
FIG. 2 is a top right perspective view thereof;
FIG. 3 is a bottom left perspective view thereof;
FIG. 4 is a top left perspective view thereof;
FIG. 5 is a left side view thereof;
FIG. 6 is a right side view thereof;
FIG. 7 is a rear view thereof;
FIG. 8 is a front view thereof;
FIG. 9 is a top view thereof; and,
FIG. 10 is a bottom view thereof.

1 Claim, 10 Drawing Sheets



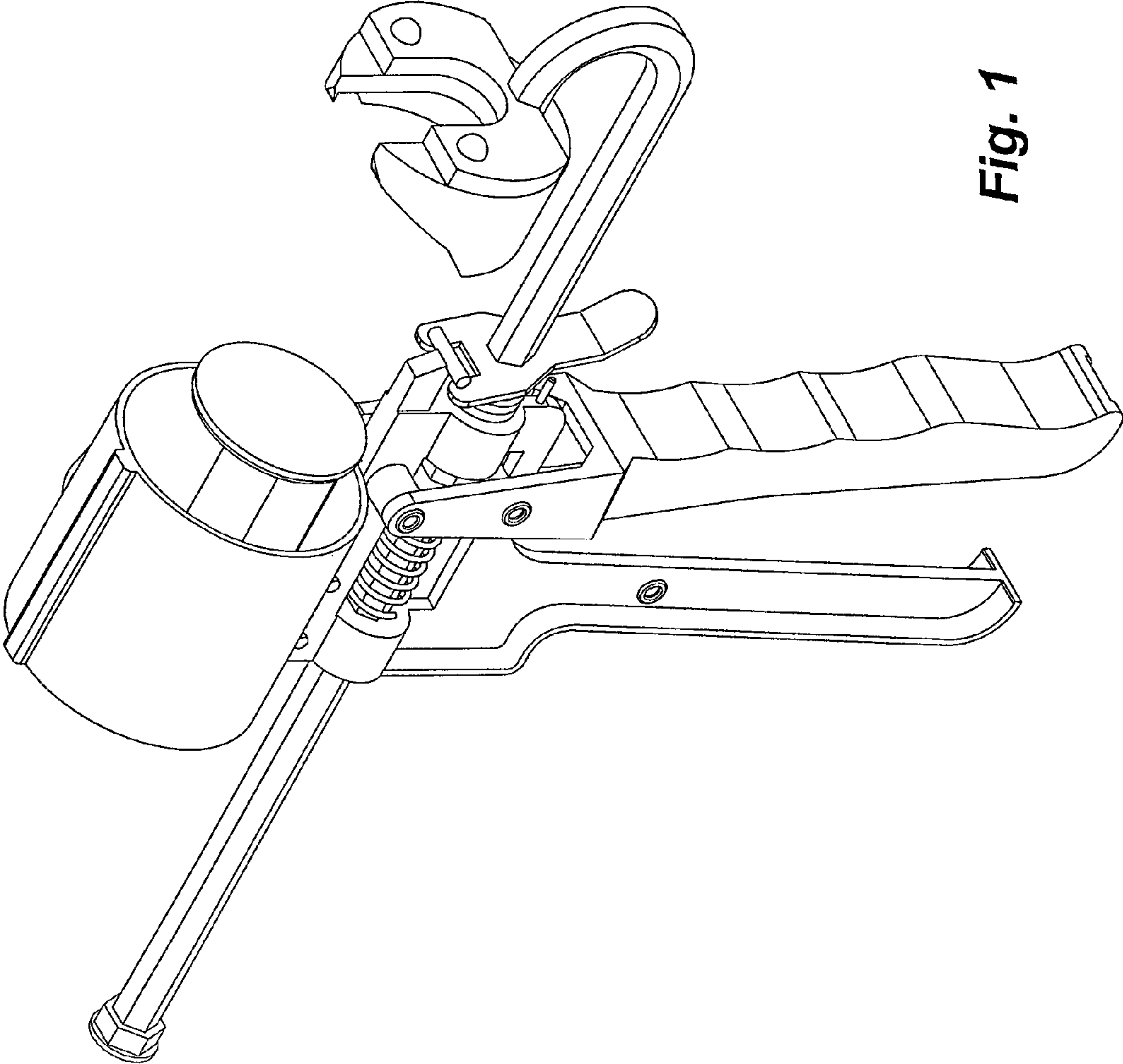


Fig. 1

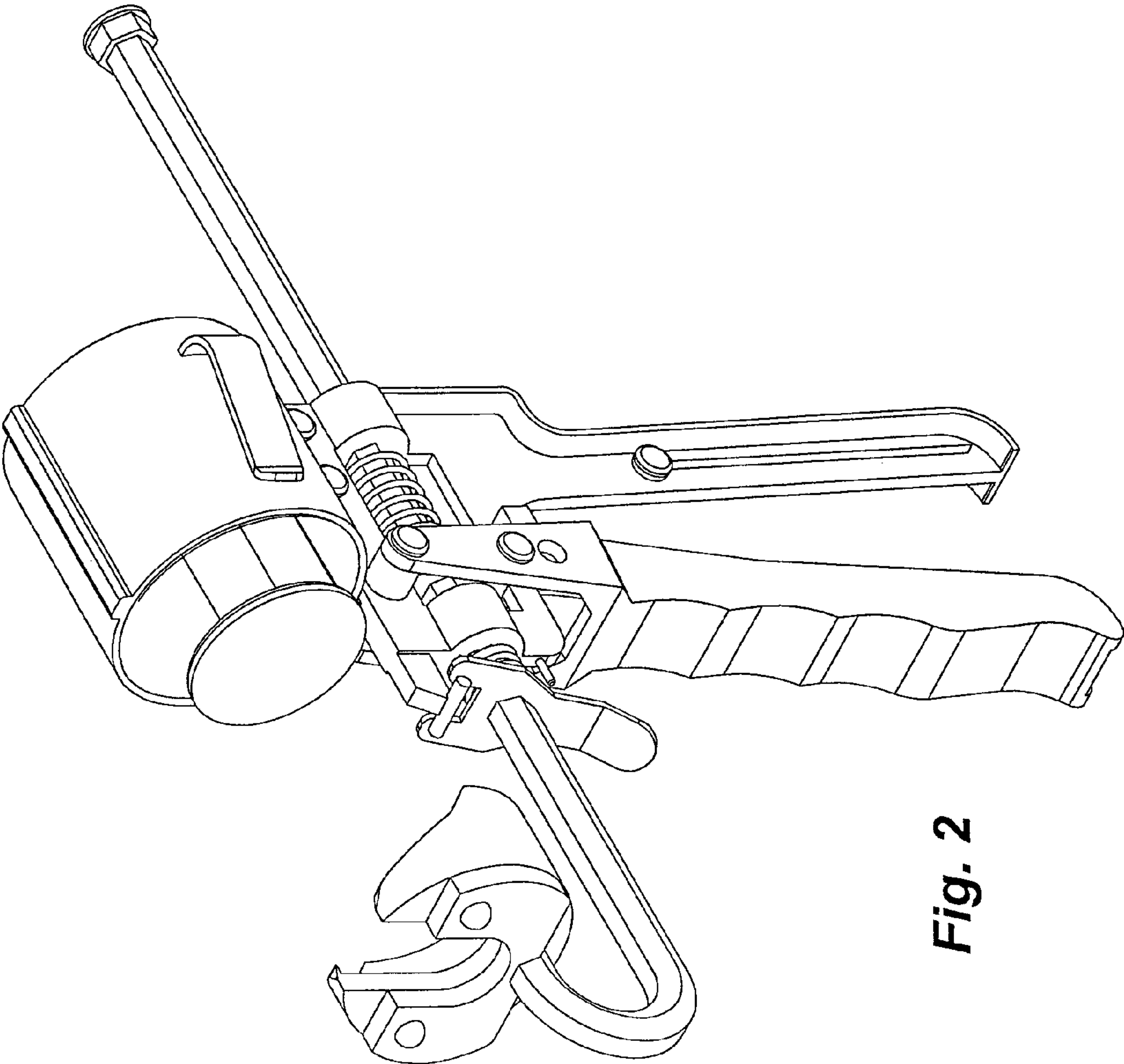


Fig. 2

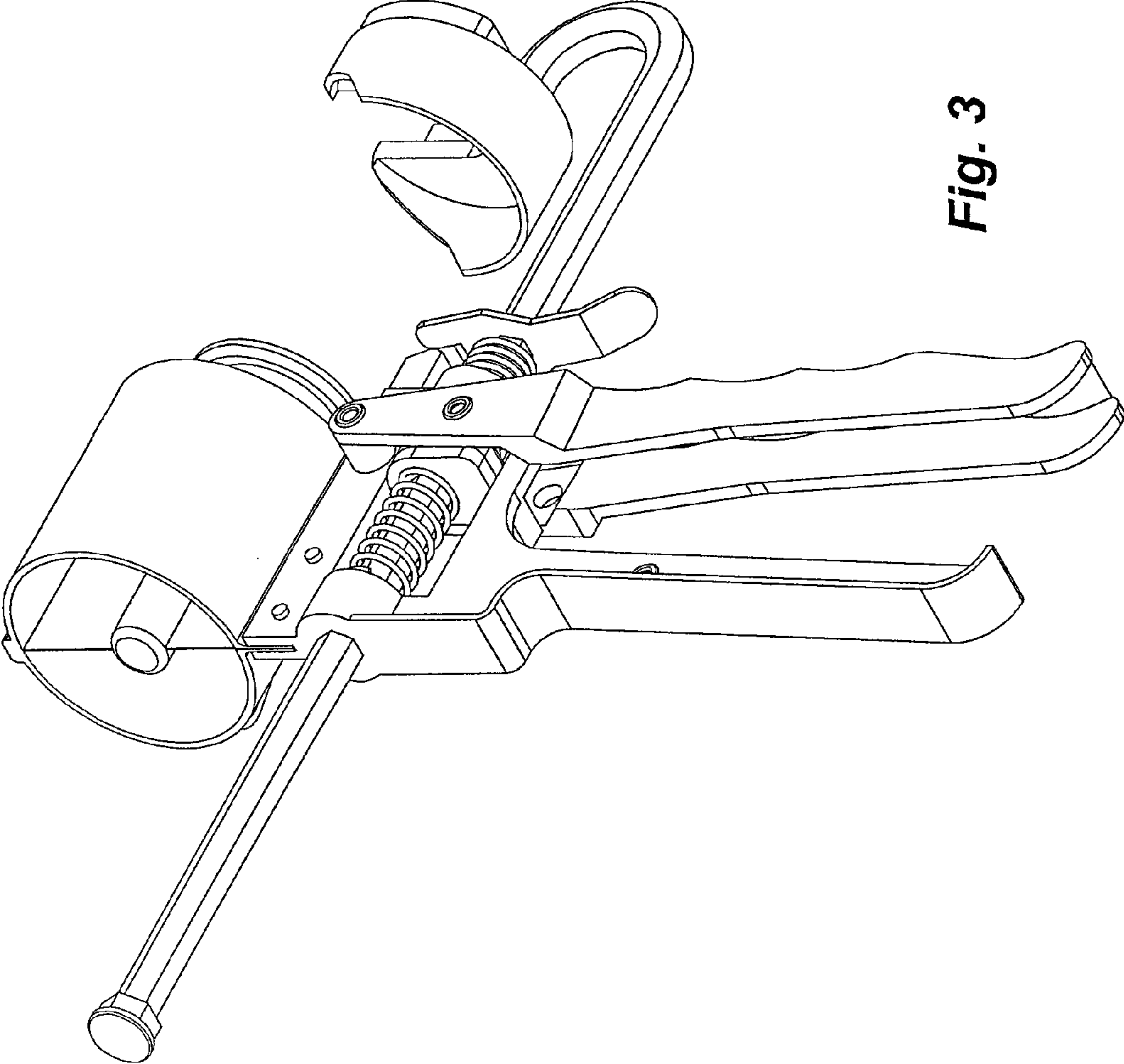


Fig. 3

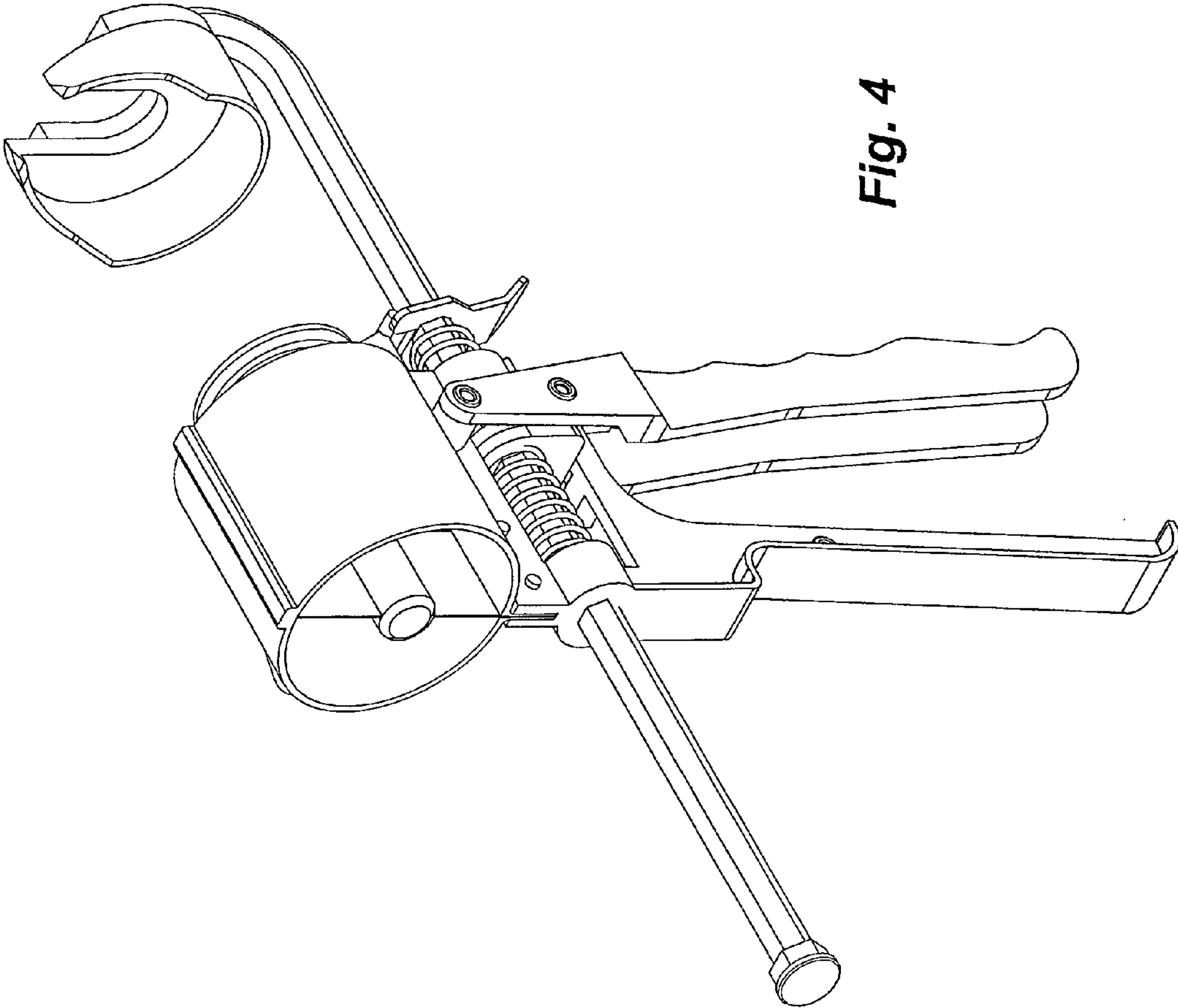


Fig. 4

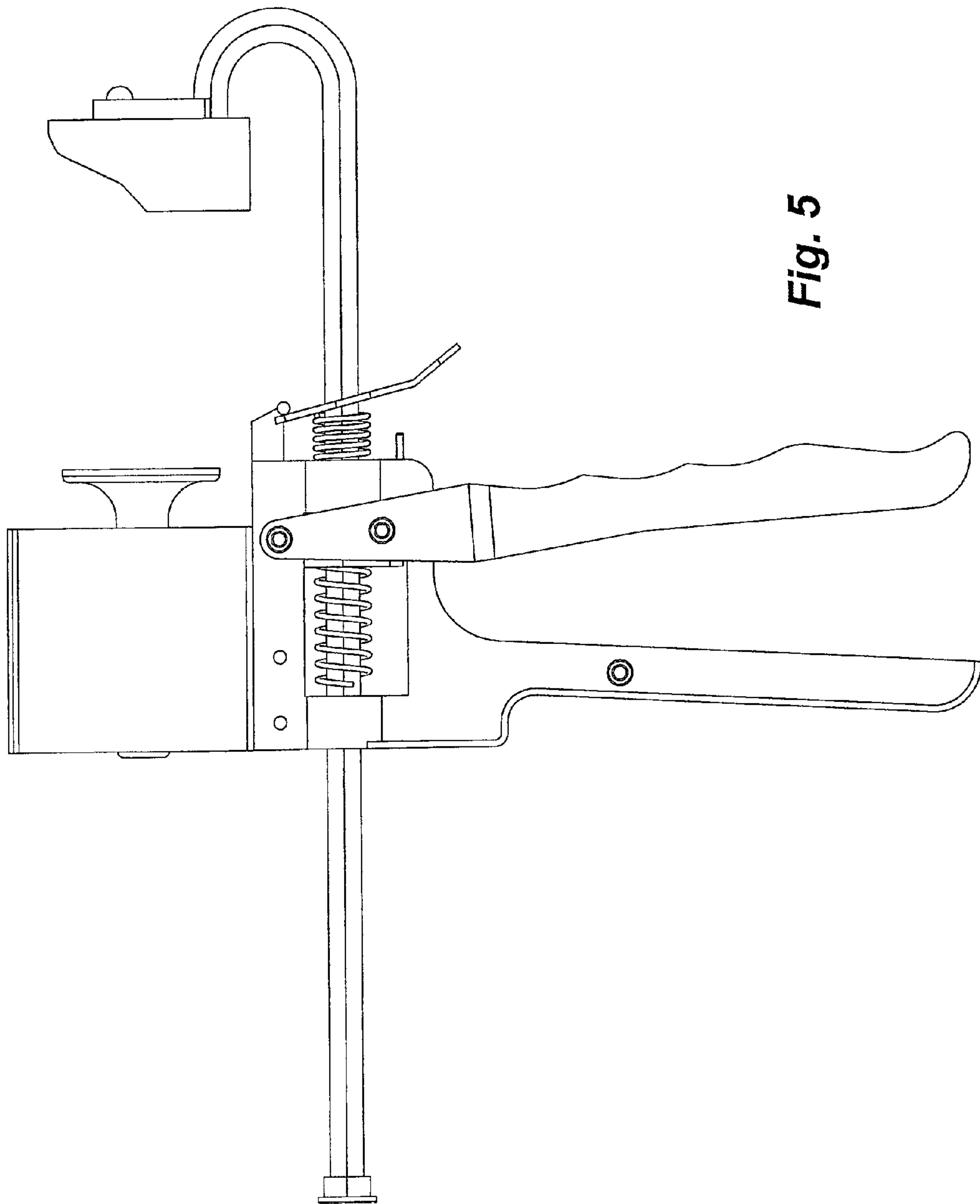


Fig. 5

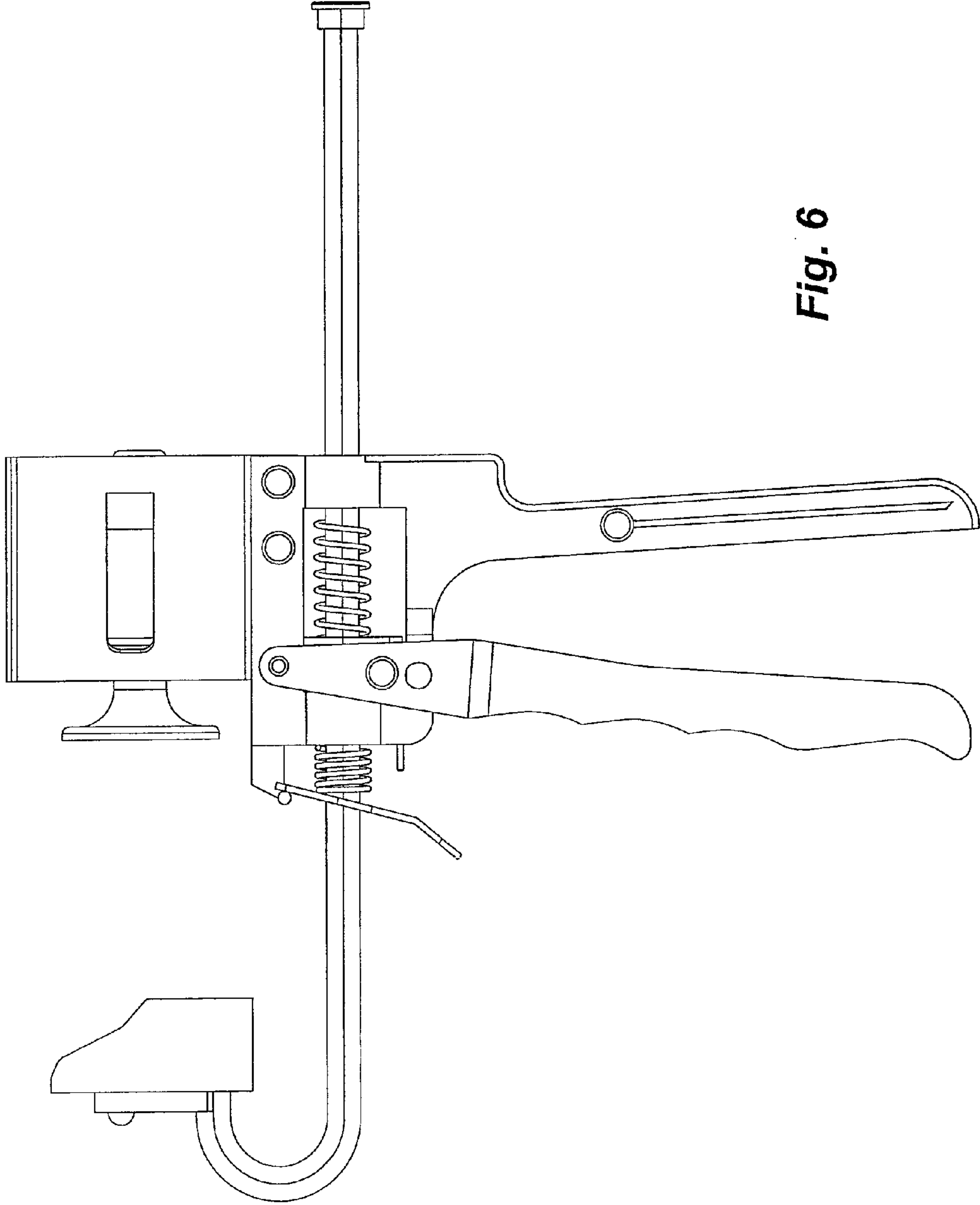


Fig. 6

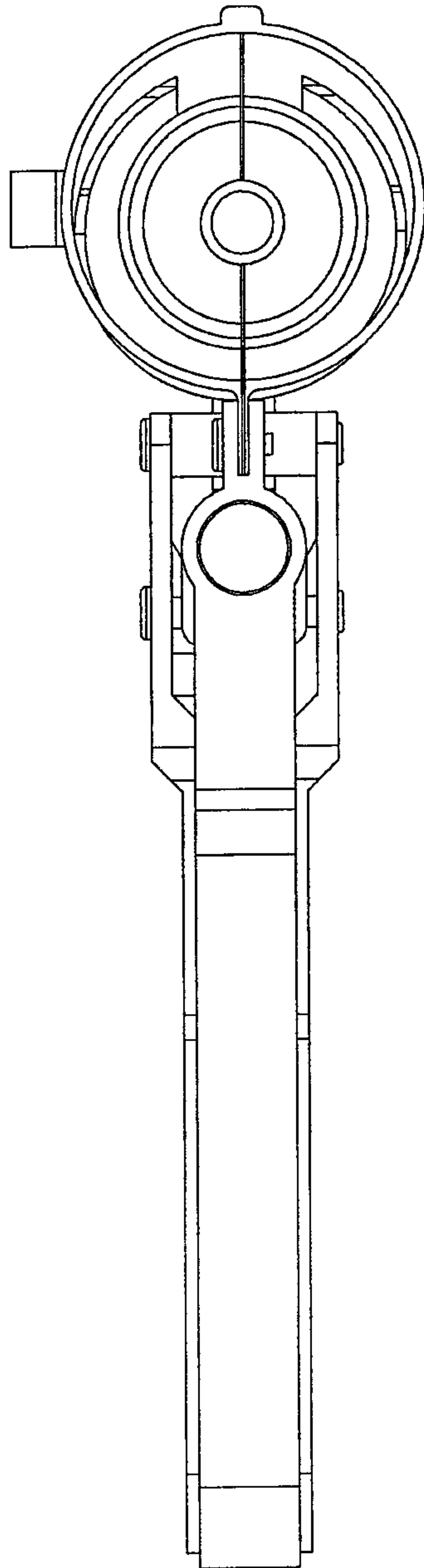


Fig. 7

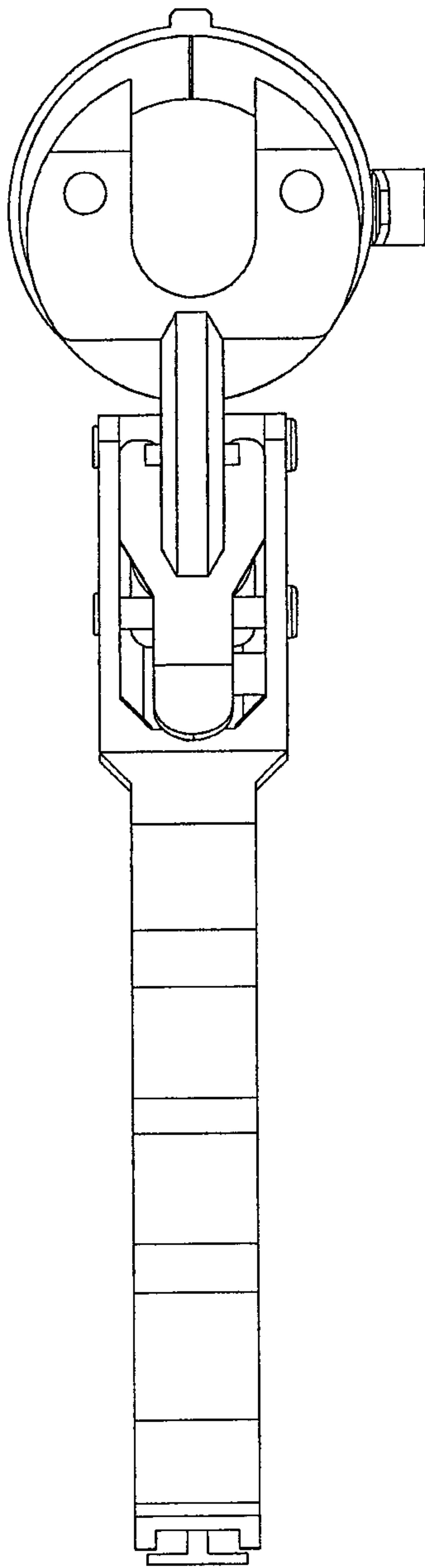


Fig. 8

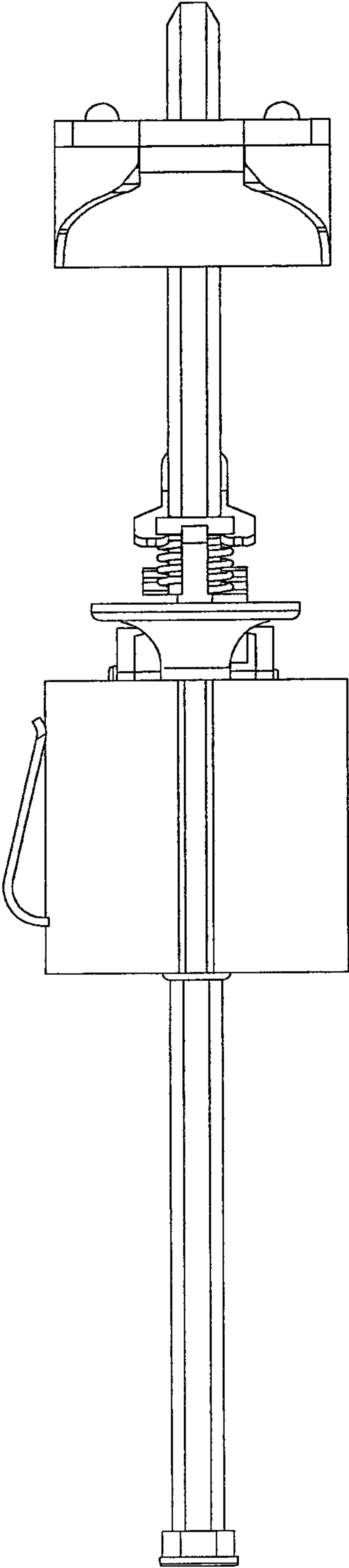


Fig. 9

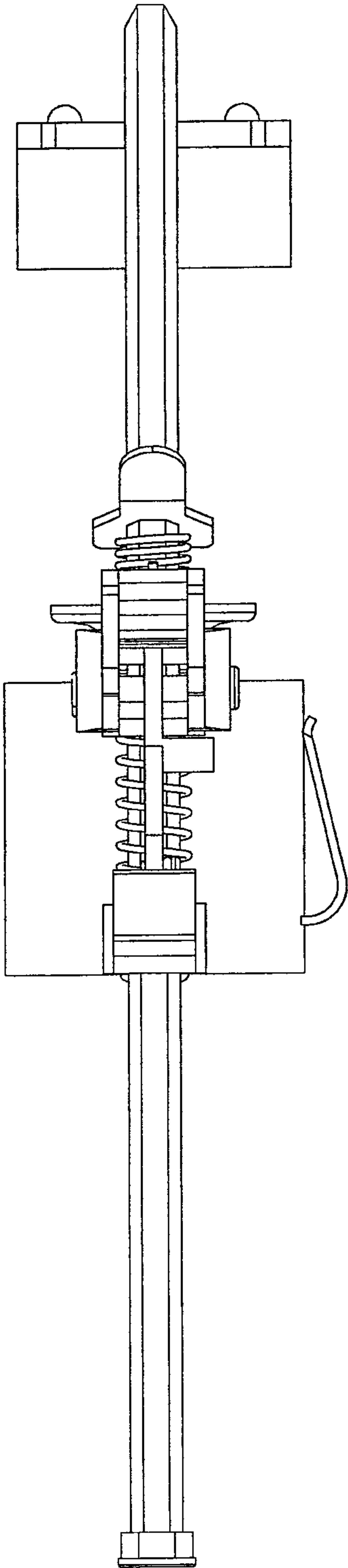


Fig. 10