



US00D719424S

(12) **United States Design Patent**
Okuda et al.

(10) **Patent No.:** **US D719,424 S**

(45) **Date of Patent:** **** Dec. 16, 2014**

(54) **CAULKING GUN**

(71) Applicant: **Makita Corporation**, Anjo-shi, Aichi (JP)

(72) Inventors: **Shinsuke Okuda**, Anjo (JP); **Kazuya Kimura**, Anjo (JP); **Fuzhi Zhang**, Jiangsu (CN); **Jiao Zhong**, Jiangsu (CN)

(73) Assignee: **Makita Corporation**, Anjo-shi (JP)

(**) Term: **14 Years**

(21) Appl. No.: **29/440,647**

(22) Filed: **Dec. 24, 2012**

(30) **Foreign Application Priority Data**

Jul. 31, 2012 (JP) 2012-018198

(51) **LOC (10) Cl.** **08-05**

(52) **U.S. Cl.**
USPC **D8/14.1; D8/68**

(58) **Field of Classification Search**
USPC D8/14, 14.1, 29.1, 51, 61, 68; 222/92, 222/105, 145.1, 160, 325-327, 330, 333, 222/386, 391, 567; 74/141.5
See application file for complete search history.

(56) **References Cited**

U.S. PATENT DOCUMENTS

D545,152	S *	6/2007	Lopano et al.	D8/14.1
D548,551	S *	8/2007	Lopano et al.	D8/14.1
7,637,392	B2 *	12/2009	Hsu et al.	222/137
D670,989	S *	11/2012	Kawase et al.	D8/68
D687,582	S *	8/2013	Kawase et al.	D26/44
8,573,450	B2 *	11/2013	Hsu et al.	222/333
8,646,657	B2 *	2/2014	Hsu et al.	222/63
2012/0043102	A1 *	2/2012	Okuda	173/217
2012/0048587	A1 *	3/2012	Umemura et al.	173/217
2012/0318826	A1 *	12/2012	Naughton et al.	222/327

2013/0043281	A1 *	2/2013	Hsu et al.	222/333
2013/0233893	A1 *	9/2013	Kimura et al.	222/333
2013/0270302	A1 *	10/2013	Hsu et al.	222/333

(Continued)

OTHER PUBLICATIONS

Makita Review on Cop Tool, announced Dec. 2013, [online], [site visited Jul. 17, 2014]. Available from Internet, <URL: <http://http://www.coptool.com/makita-launches-18v-caulk-gun-lxgc011-competes-directly-with-milwaukee-m12-m18/>>.*

Primary Examiner — Eric Goodman

Assistant Examiner — Jennifer Watkins

(74) *Attorney, Agent, or Firm* — Global IP Counselors, LLP

(57) **CLAIM**

The ornamental design for a caulking gun, as shown and described.

DESCRIPTION

FIG. 1 is a front perspective view of a caulking gun in accordance with our new design;

FIG. 2 is a rear perspective view of the caulking gun in accordance with our new design;

FIG. 3 is a front elevational view of the caulking gun in accordance with our new design;

FIG. 4 is a rear elevational view of the caulking gun in accordance with our new design;

FIG. 5 is a top plan view of the caulking gun in accordance with our new design;

FIG. 6 is a bottom plan view of the caulking gun in accordance with our new design;

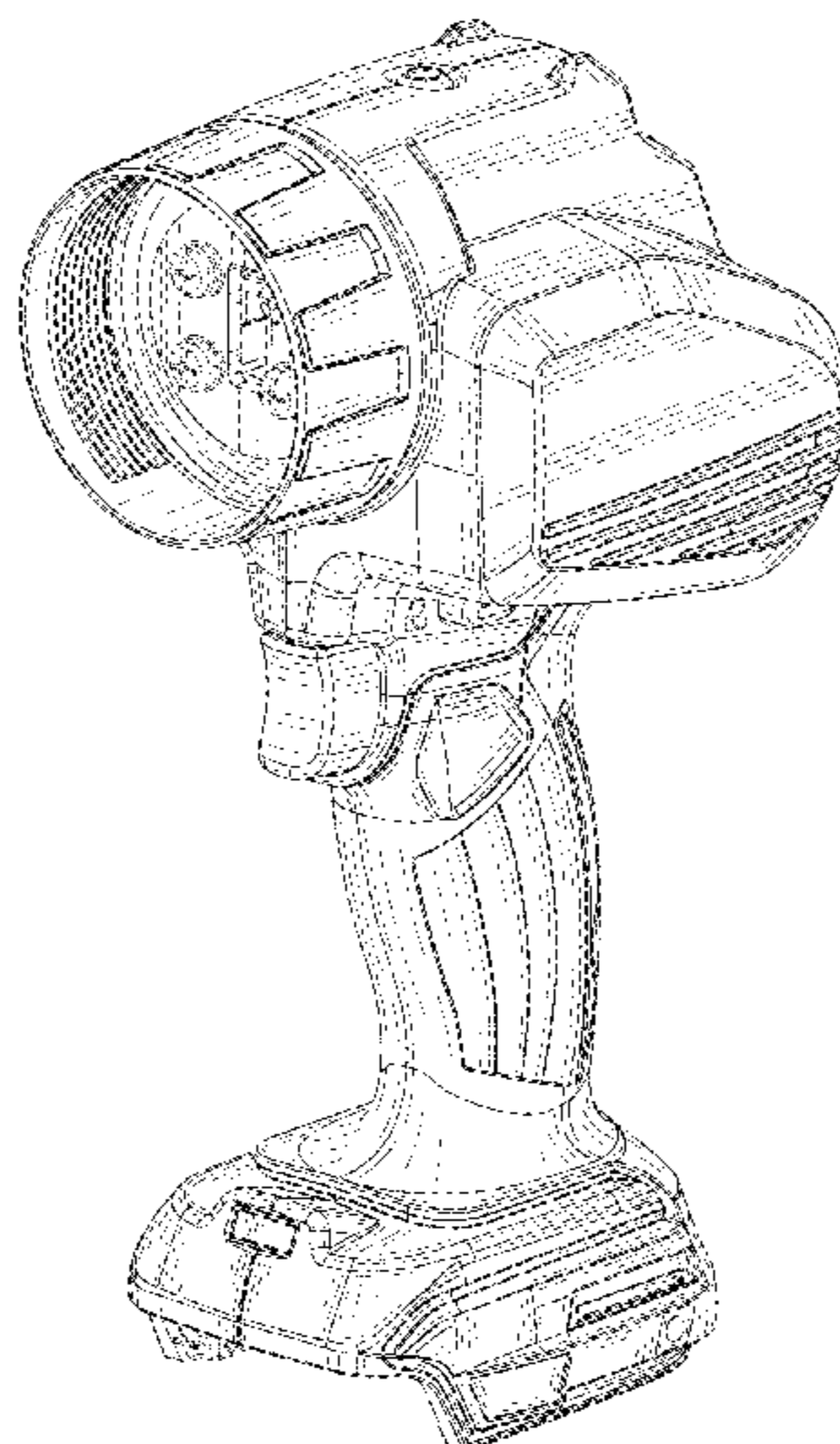
FIG. 7 is a right side elevational view of the caulking gun in accordance with our new design;

FIG. 8 is a left side elevational view of the caulking gun in accordance with our new design; and,

FIG. 9 is a front perspective view of the caulking gun in accordance with our new design illustrating a state in which an attachment is attached to the caulking gun.

The broken line showing is for the purpose of illustrating portions of the article that form no part of the claimed design.

1 Claim, 8 Drawing Sheets



(56)

References Cited

* cited by examiner

U.S. PATENT DOCUMENTS

2014/0147718 A1* 5/2014 Furui et al. 429/99
2014/0182869 A1* 7/2014 Kumagai et al. 173/93
2014/0190718 A1* 7/2014 Nagasaka et al. 173/217

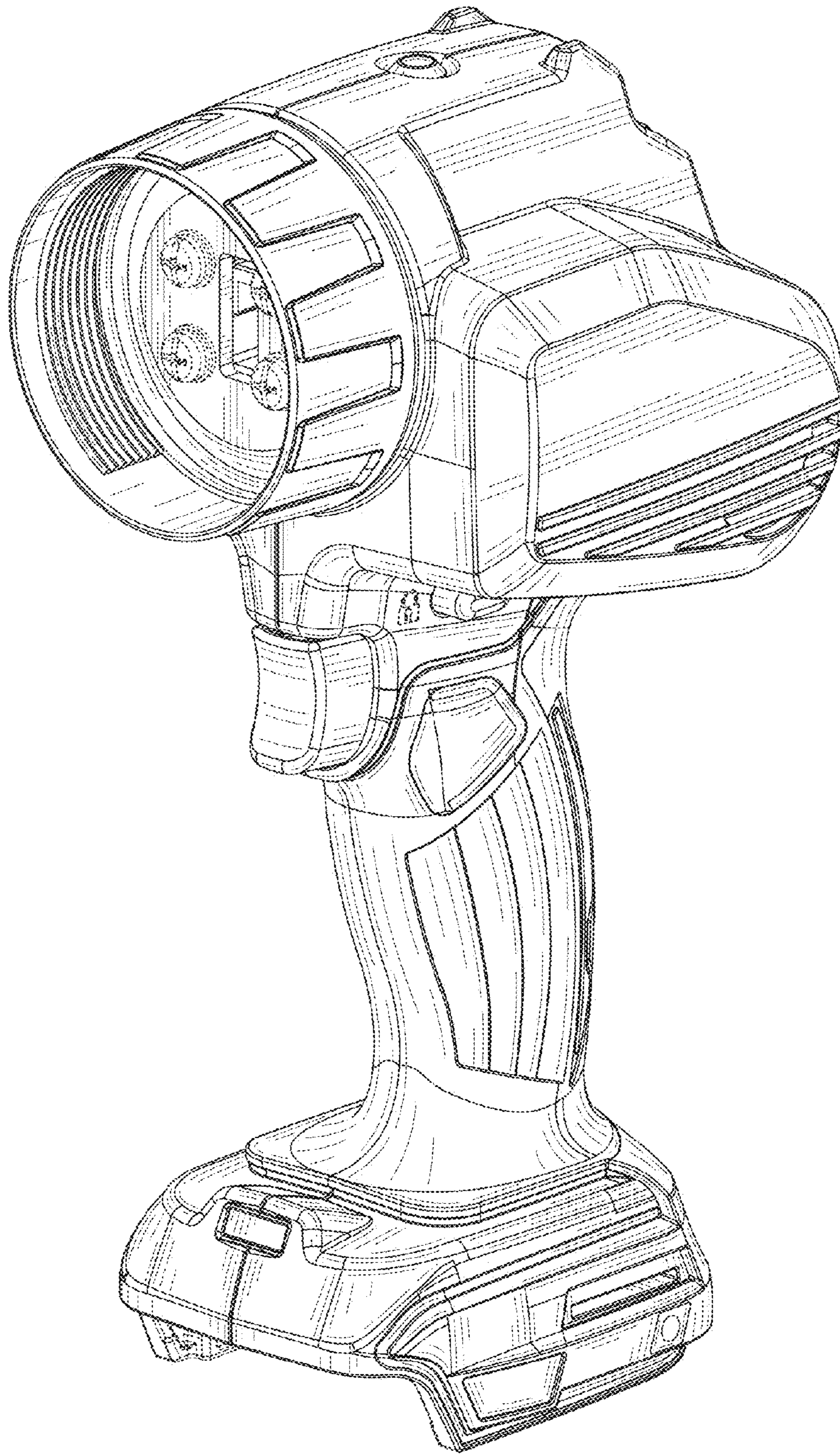


FIG. 1

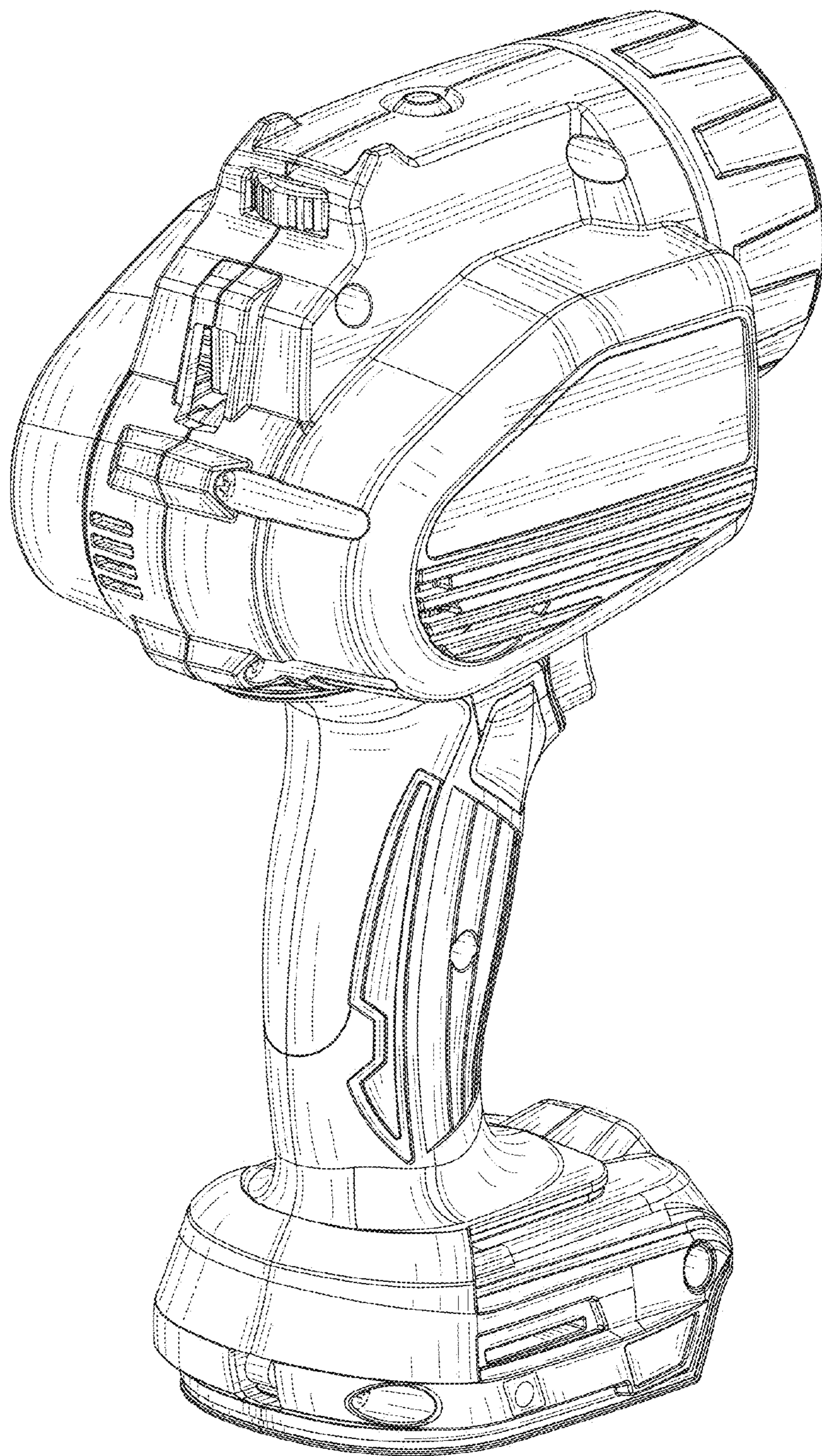


FIG. 2

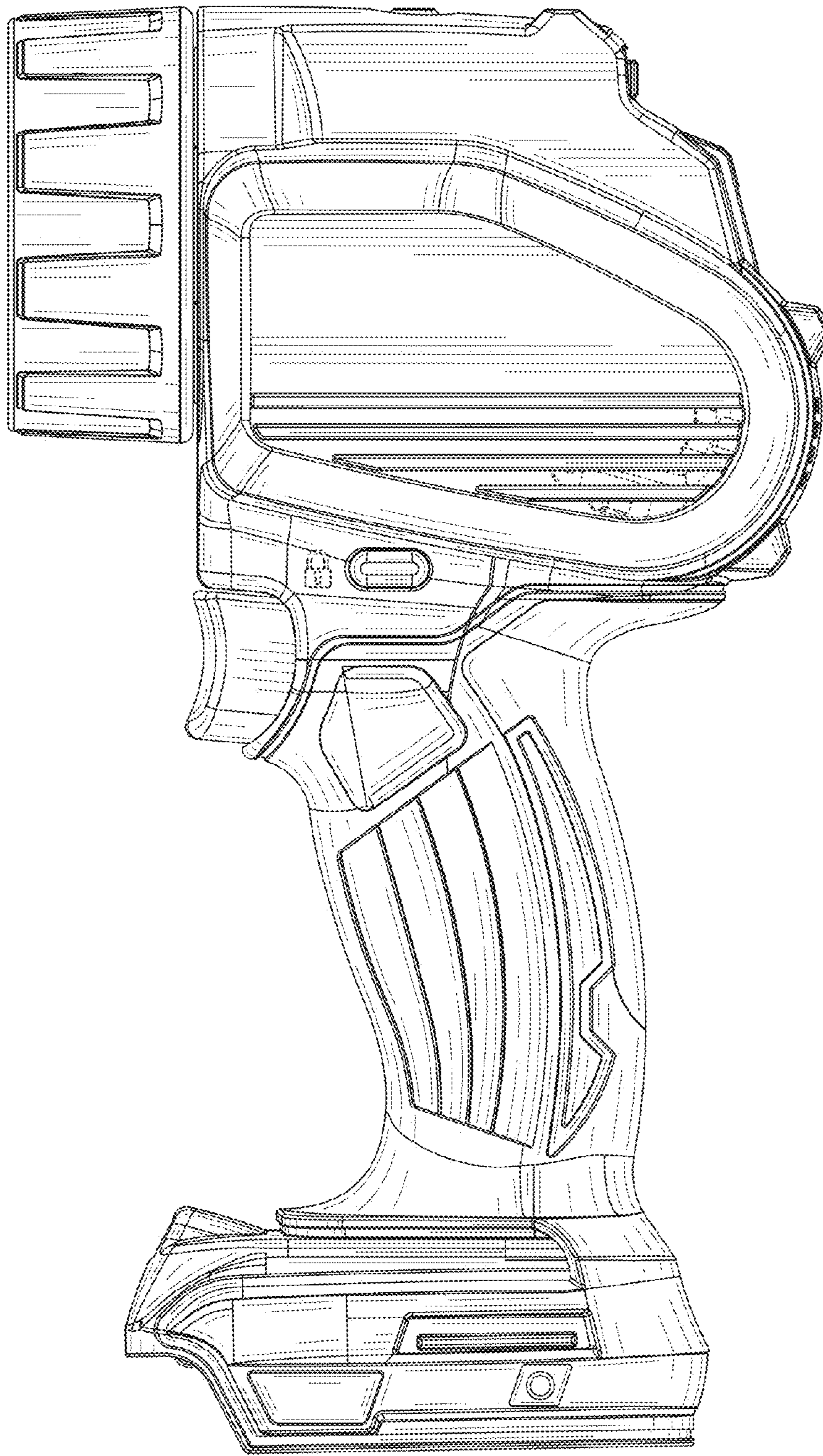


FIG. 3

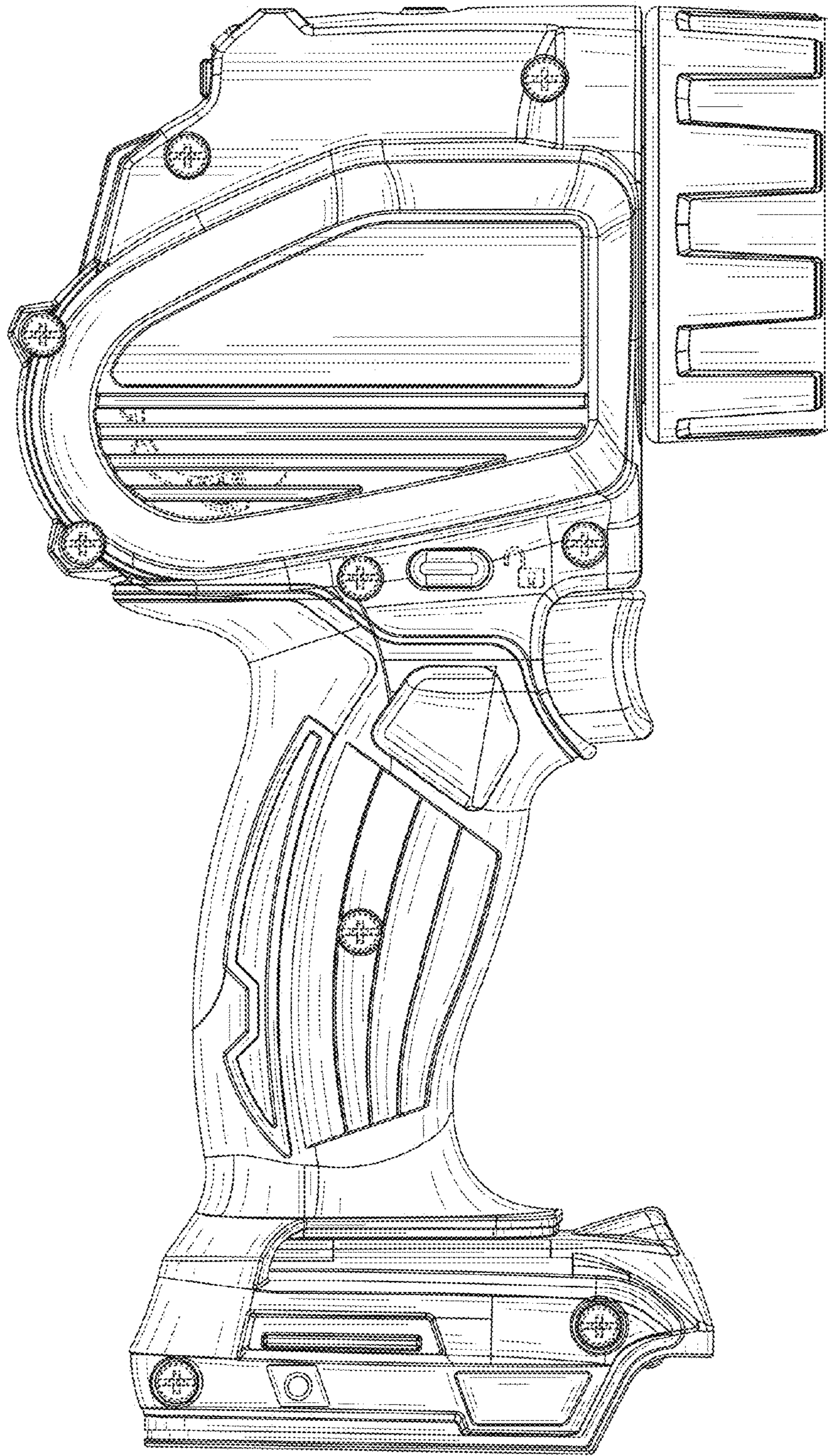


FIG. 4

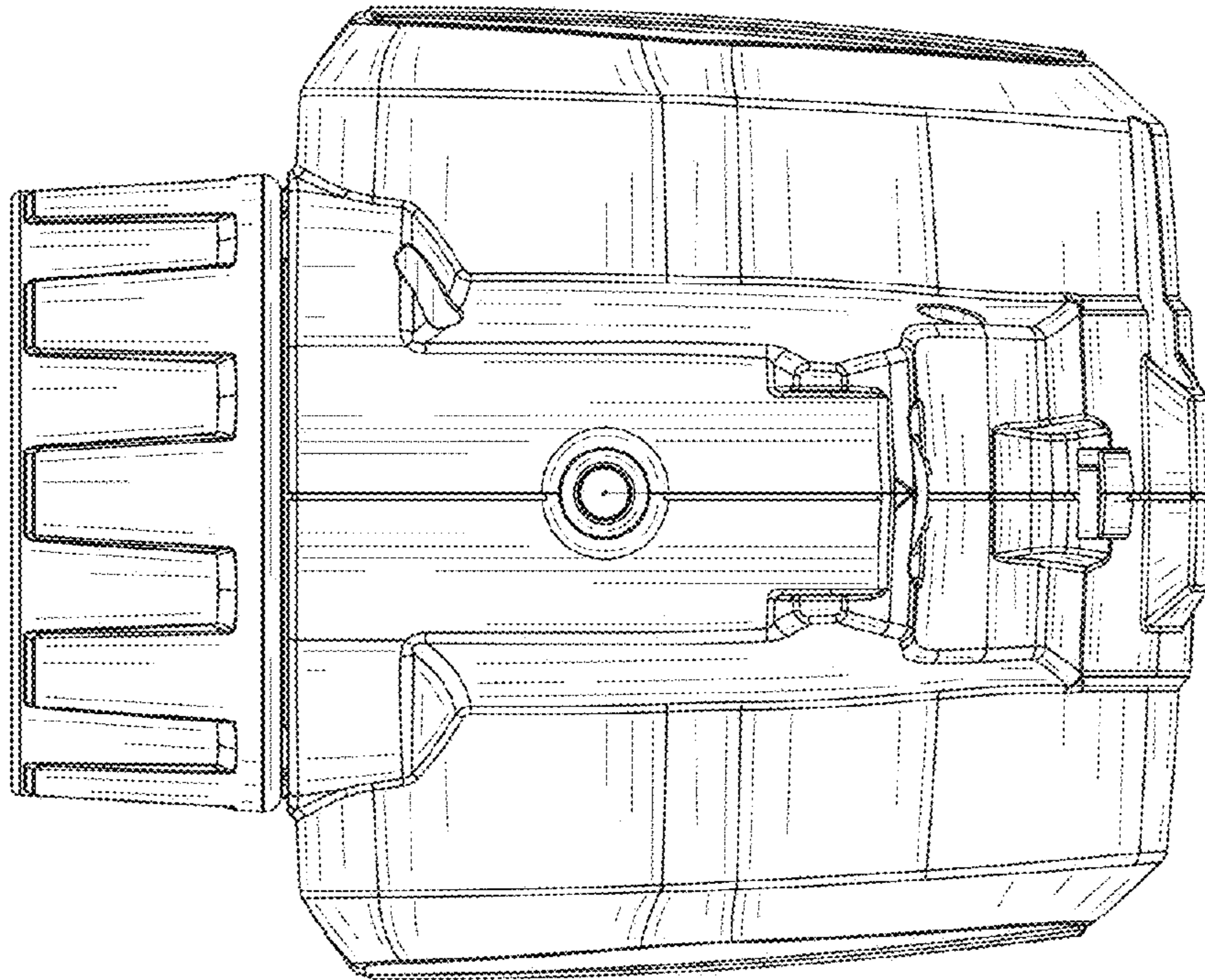


FIG. 5

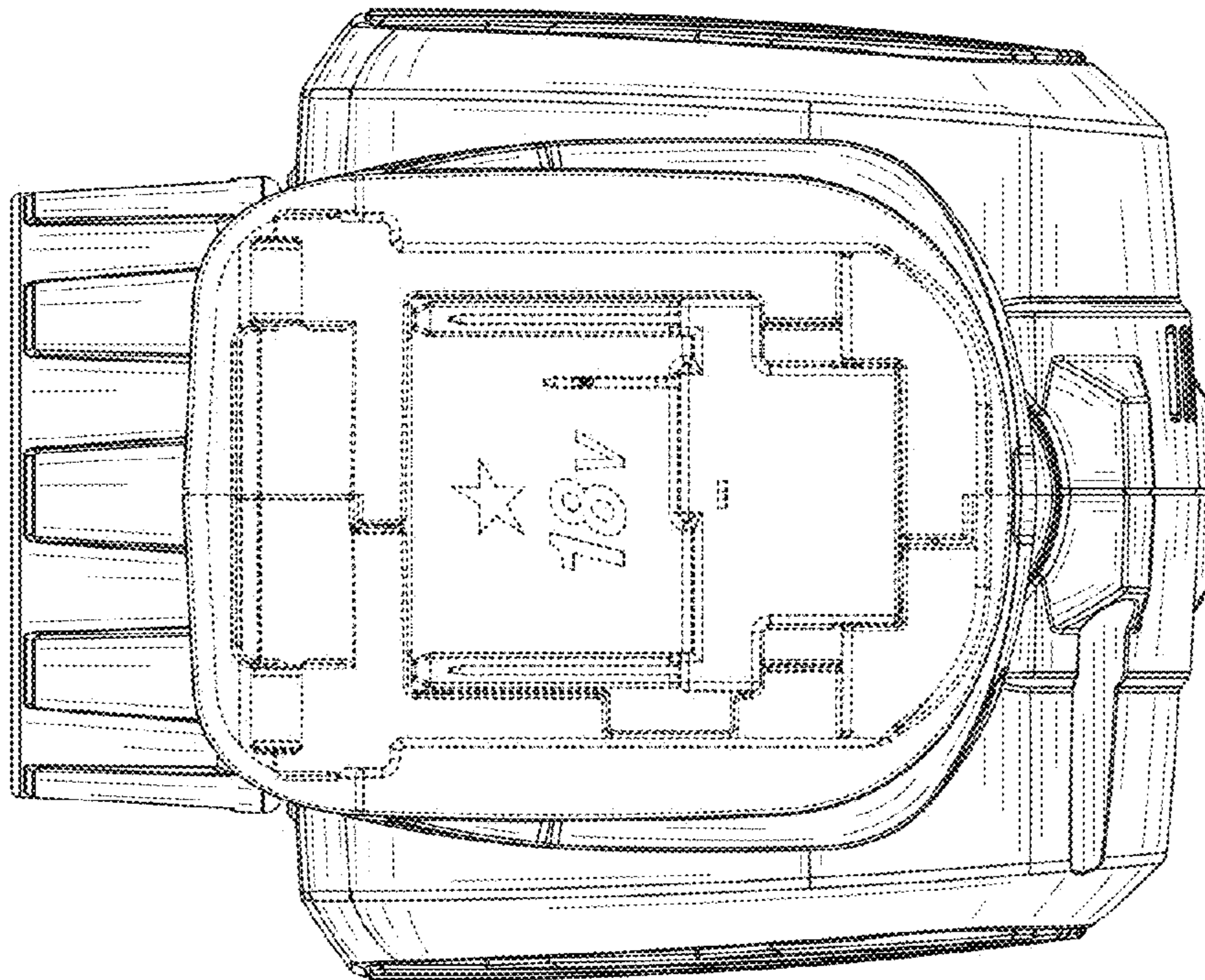


FIG. 6

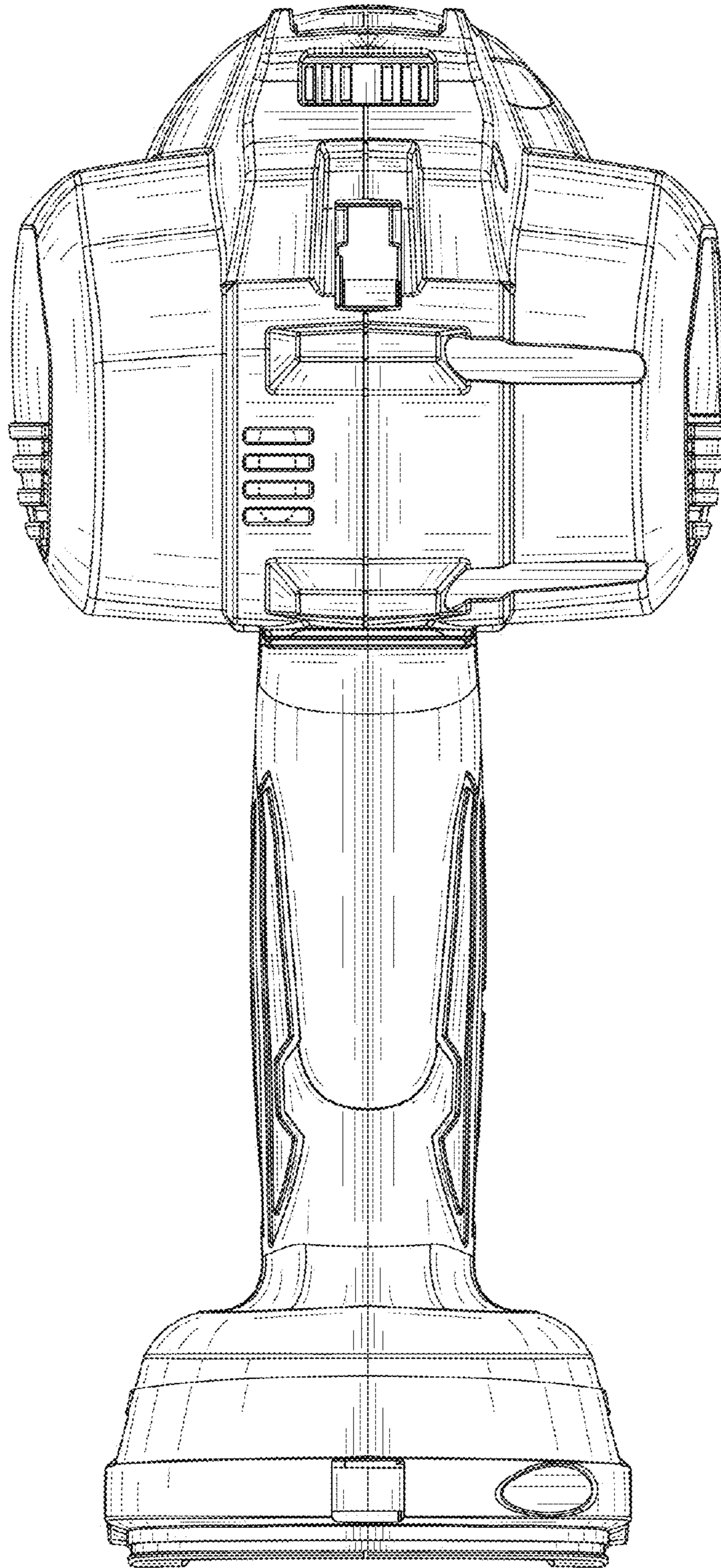


FIG. 7

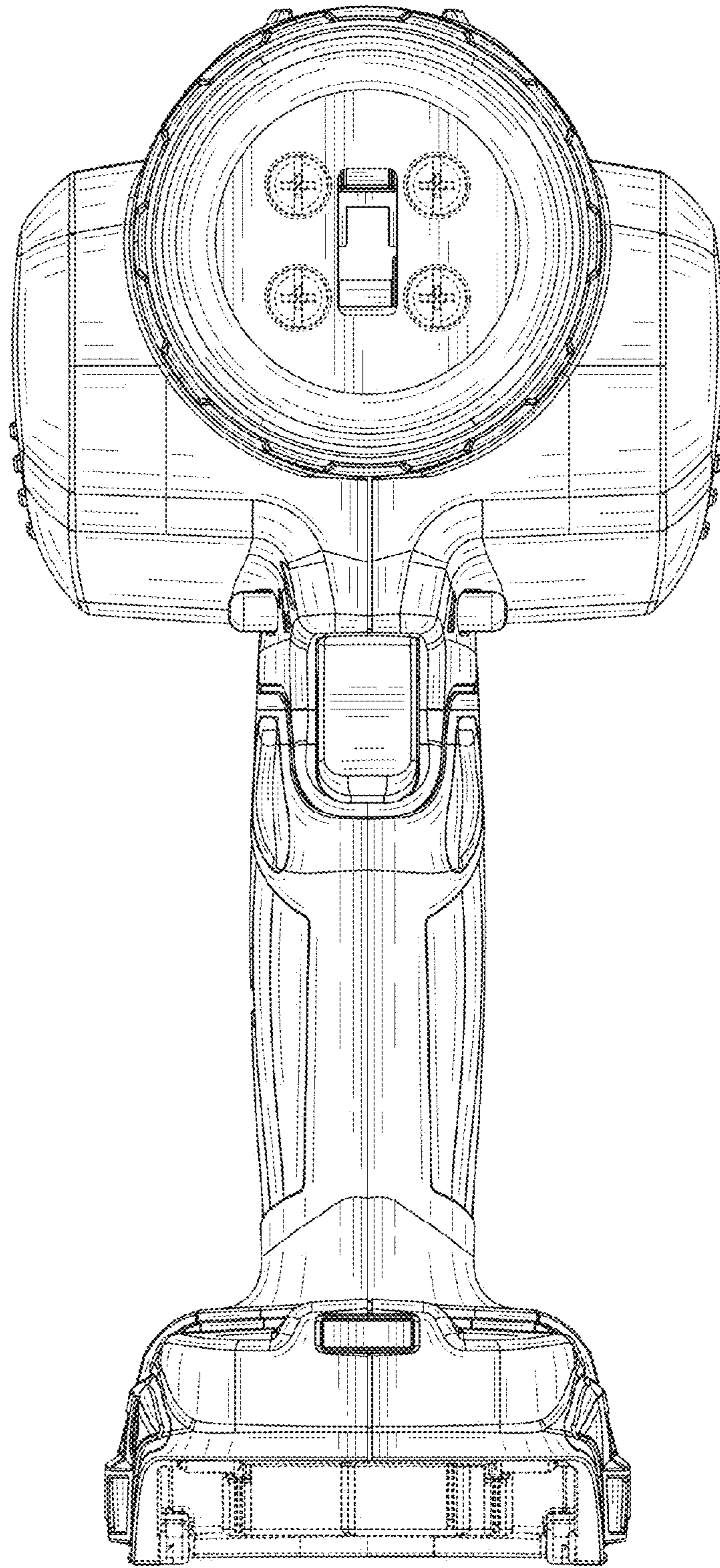


FIG. 8

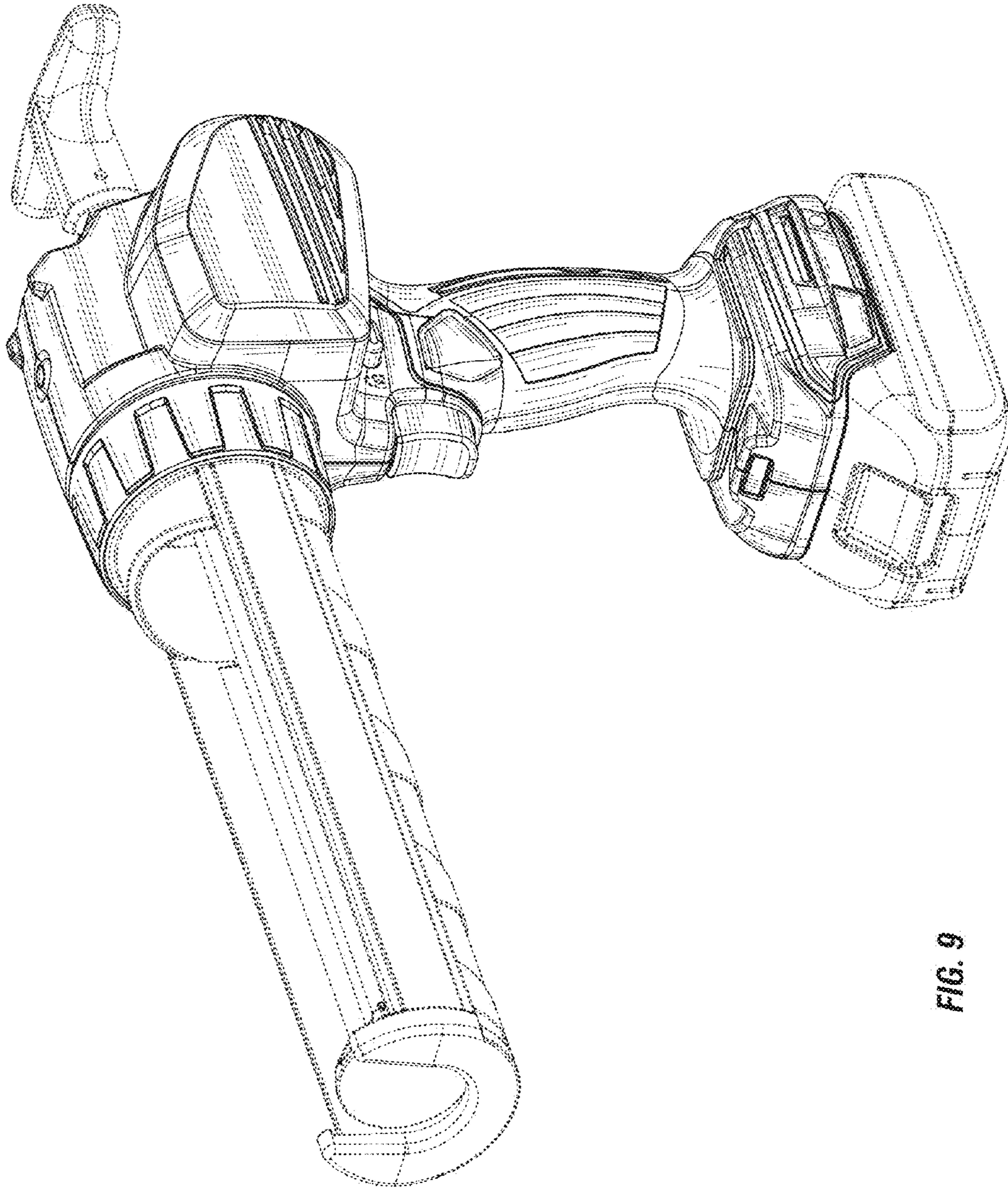


FIG. 9