



US00D719422S

(12) **United States Design Patent**  
**Mendez**

(10) **Patent No.:** **US D719,422 S**

(45) **Date of Patent:** **\*\* Dec. 16, 2014**

(54) **WINDOW TINT APPLICATOR TOOL**

(71) Applicant: **Tri-Edge Industries, LLC**, Lake Worth, FL (US)

(72) Inventor: **Jay Mendez**, Greenacres, FL (US)

(73) Assignee: **Tri-Edge Industries, LLC**, Lake Worth, FL (US)

(\*\*) Term: **14 Years**

(21) Appl. No.: **29/445,535**

(22) Filed: **Feb. 13, 2013**

(51) **LOC (10) Cl.** ..... **08-05**

(52) **U.S. Cl.**  
USPC ..... **D8/14**

(58) **Field of Classification Search**  
CPC ..... E04F 21/32; E04F 21/165; E04F 21/06;  
B44D 3/105; B44D 3/162; A47L 13/16;  
A47L 13/08; A47L 17/06; A47L 1/06; A47L  
13/022; B43L 7/0275  
USPC ..... D8/14, 19, 33, 354; D10/62; 33/560,  
33/566; 15/236.02; 359/275; 401/132, 205  
See application file for complete search history.

(56) **References Cited**

**U.S. PATENT DOCUMENTS**

3,821,828 A \* 7/1974 Pearson ..... 15/245.1  
D242,693 S \* 12/1976 Kennedy ..... D10/62  
D261,601 S \* 11/1981 Kettlestrings ..... D32/40  
D332,160 S \* 12/1992 Kuzma ..... D32/41

D352,432 S \* 11/1994 Monroe ..... D8/45  
D359,428 S \* 6/1995 Pellegrino ..... D8/14  
D364,719 S \* 11/1995 Crawford ..... D32/46  
5,675,860 A \* 10/1997 Campbell ..... 15/235.7  
6,735,809 B2 \* 5/2004 Parks ..... 15/118  
7,225,848 B2 \* 6/2007 Williams ..... 156/574  
D547,147 S \* 7/2007 Tran et al. .... D8/19  
D584,931 S \* 1/2009 Richardson ..... D8/19  
D599,077 S \* 9/2009 Garcia Aleman et al. .... D1/128  
7,644,467 B2 \* 1/2010 Kleinhammer ..... 15/235.7  
8,012,280 B1 \* 9/2011 Thorpe ..... 156/71  
D681,344 S \* 5/2013 Davis et al. .... D4/138  
2014/0126949 A1 \* 5/2014 Kaufman et al. .... 401/132

\* cited by examiner

*Primary Examiner* — Eric Goodman

*Assistant Examiner* — Jennifer Watkins

(74) *Attorney, Agent, or Firm* — Robert M. Downey, P.A.

(57) **CLAIM**

The ornamental design for a window tint applicator tool, as shown and described.

**DESCRIPTION**

FIG. 1 is a front elevational view of a window tint applicator tool showing my new design;  
FIG. 2 is a bottom plan view thereof;  
FIG. 3 is a left end elevational view thereof;  
FIG. 4 is a top plan view thereof;  
FIG. 5 is a rear elevational view thereof; and,  
FIG. 6 is a rear perspective view thereof.

**1 Claim, 2 Drawing Sheets**

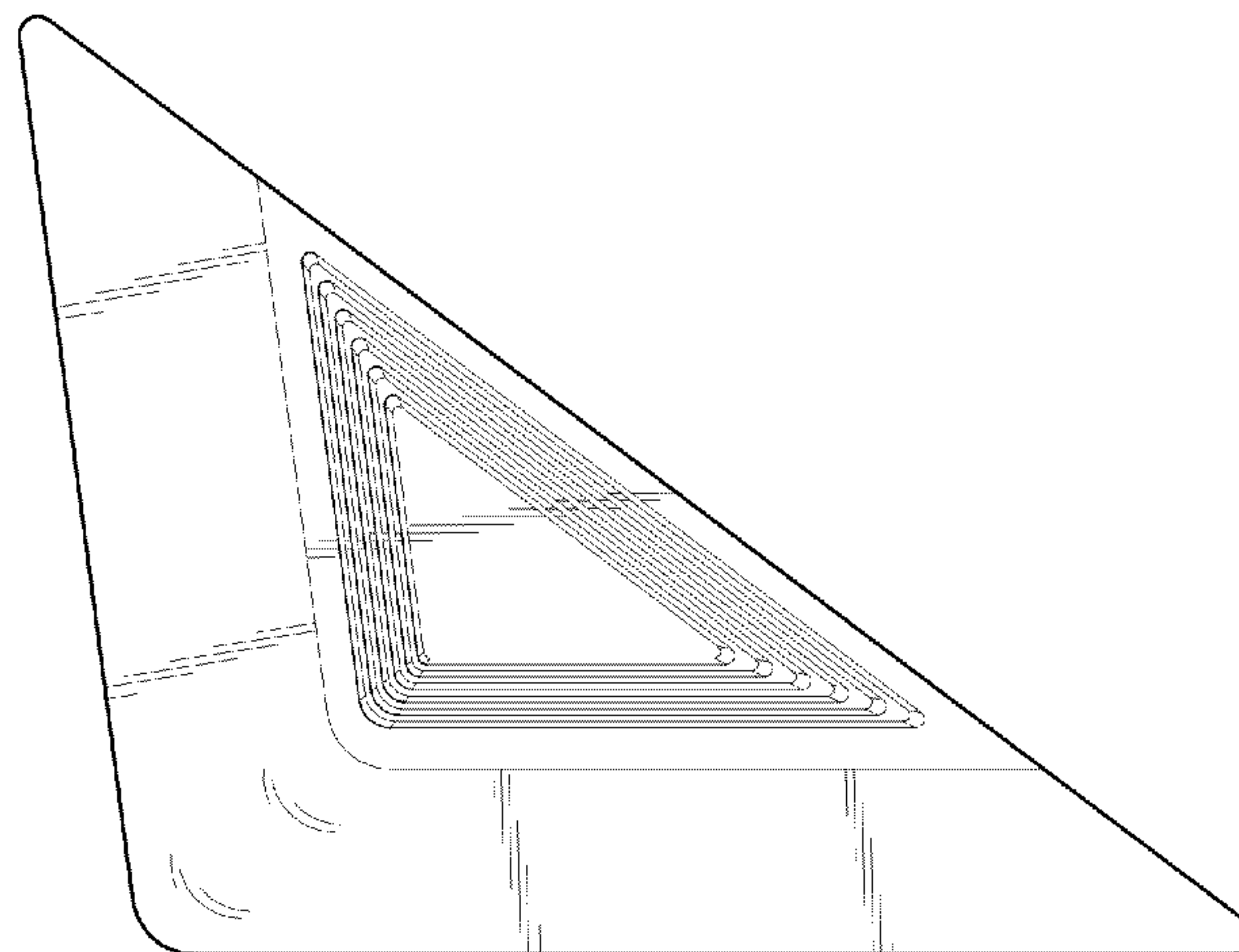




FIG. 3

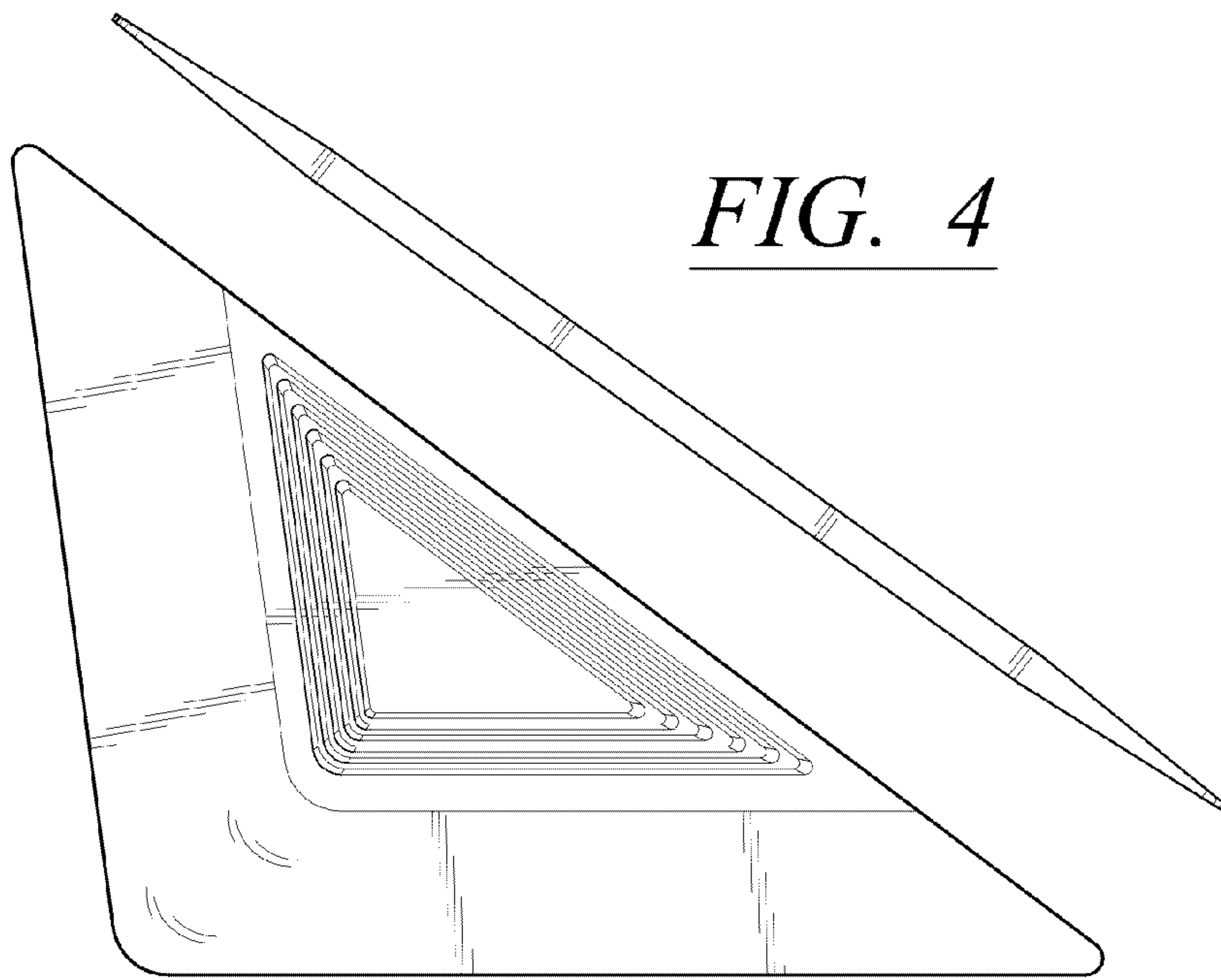


FIG. 4

FIG. 1

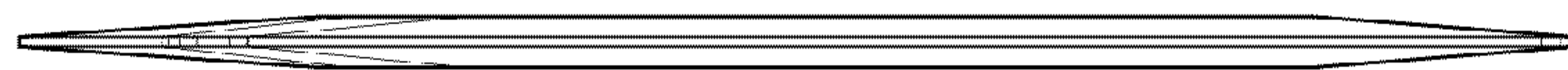


FIG. 2

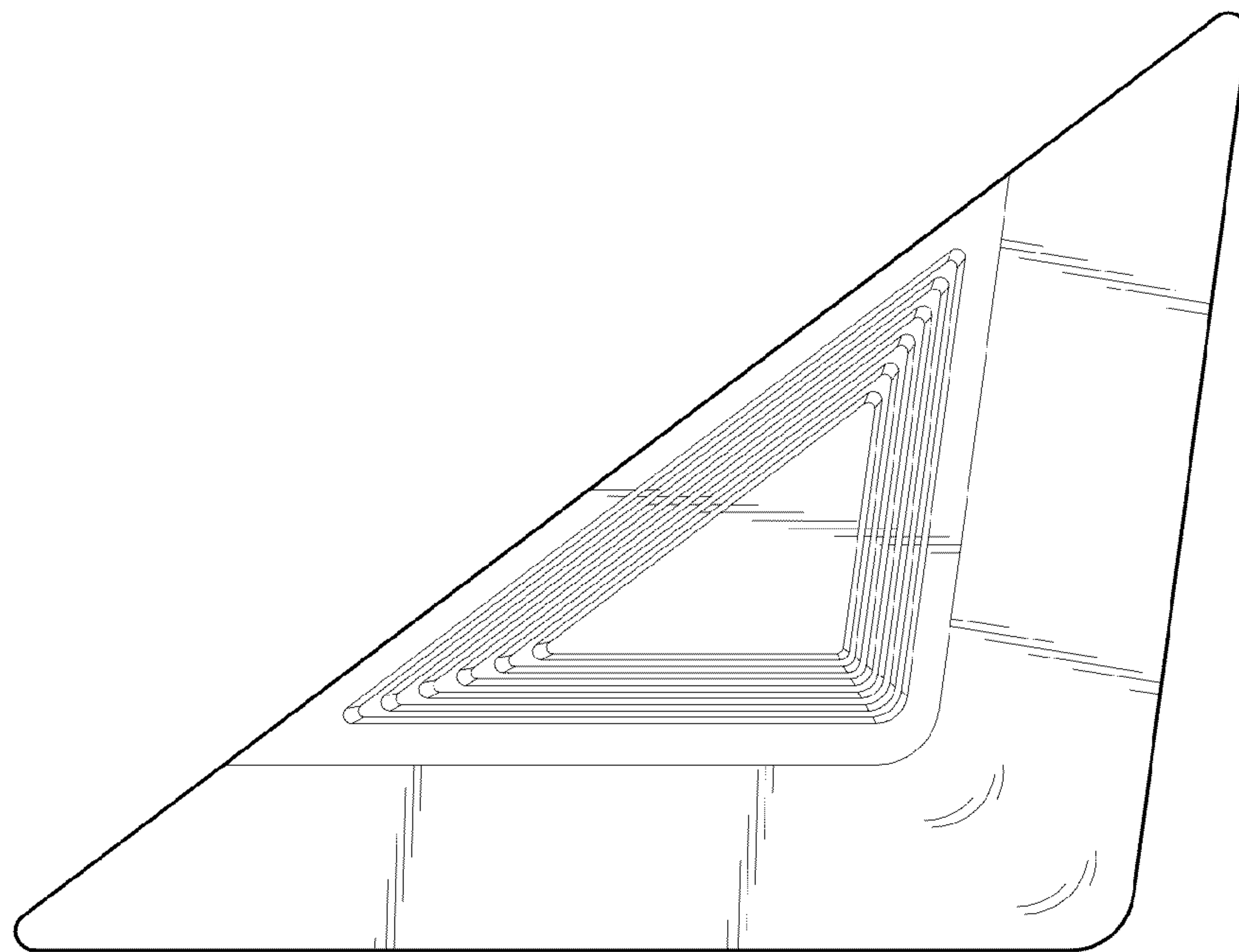


FIG. 5

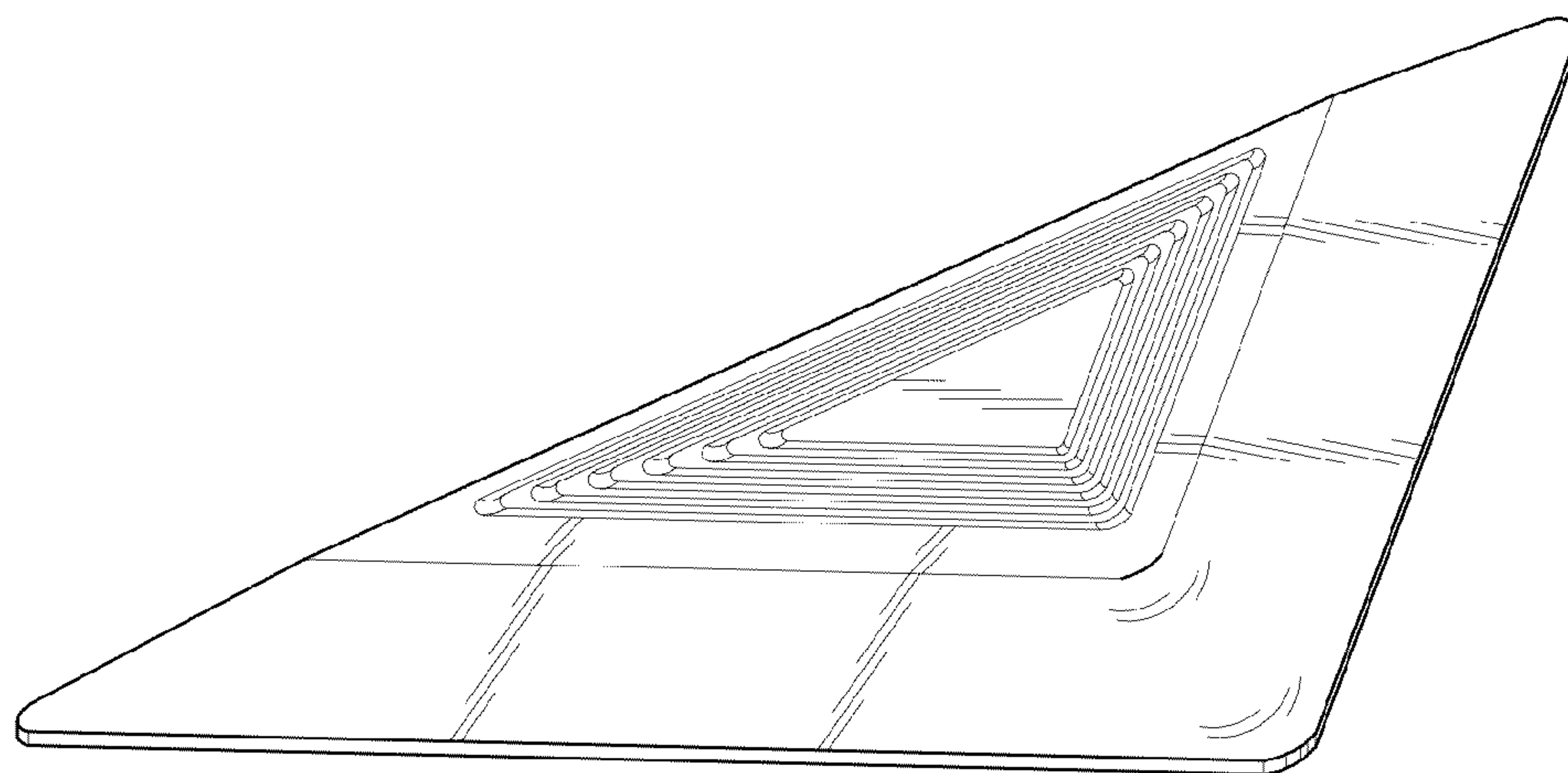


FIG. 6