

US00D719420S

(12) **United States Design Patent**  
**Masalin et al.**

(10) **Patent No.:** **US D719,420 S**  
(45) **Date of Patent:** **\*\* Dec. 16, 2014**

(54) **RAKE**

(56) **References Cited**

(71) Applicant: **Fiskars Brands Finland Oy Ab**, Billnäs (FI)

U.S. PATENT DOCUMENTS

(72) Inventors: **Petteri Masalin**, Helsinki (FI); **Vesa Korjus**, Lahti (FI); **Jouni Salojärvi**, Helsinki (FI); **Egon Missik**, Lahti (FI); **Pirkka Haimi**, Lahti (FI)

3,999,244 A	12/1976	Brickley	
D353,979 S	1/1995	Sargeant	
D504,597 S	5/2005	Barajas	
D517,876 S	3/2006	DeWinter et al.	
D577,967 S	* 10/2008	Norton et al.	D8/13
D579,289 S	10/2008	Norton et al.	
D682,641 S	5/2013	Hill	

(73) Assignee: **Fiskars Brands Finland Oy Ab**, Billnäs (FI)

\* cited by examiner

(\*\*) Term: **14 Years**

*Primary Examiner* — Sheryl Lane

(21) Appl. No.: **29/487,947**

(74) *Attorney, Agent, or Firm* — Foley & Lardner LLP

(22) Filed: **Apr. 14, 2014**

(57) **CLAIM**

We claim the ornamental design for a rake, as shown and described.

**Related U.S. Application Data**

(62) Division of application No. 29/440,363, filed on Dec. 20, 2012, now Pat. No. Des. 711,204.

**Foreign Application Priority Data**

Jul. 2, 2012 (EM) ..... 002066605-0003  
Jul. 2, 2012 (EM) ..... 002066605-0012

(51) **LOC (10) Cl.** ..... **08-01**

(52) **U.S. Cl.**  
USPC ..... **D8/13**

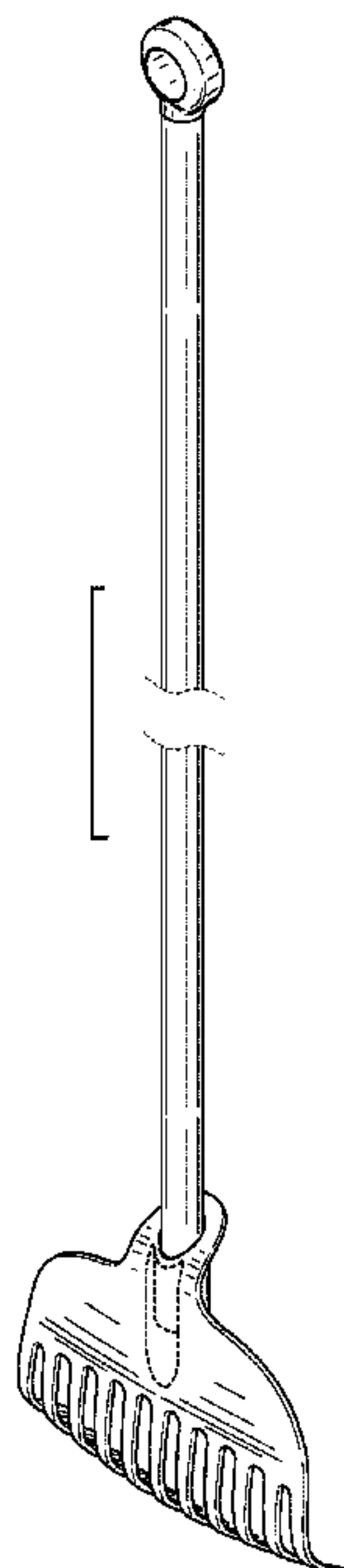
(58) **Field of Classification Search**  
USPC ..... D8/1, 13, 10; 56/400.01, 400.04,  
56/400.19, 400.21, 400.16, 400.17;  
172/371-375

See application file for complete search history.

**DESCRIPTION**

FIG. 1 is a front perspective view of the claimed design; FIG. 2 is a rear perspective view of the claimed design of FIG. 1; FIG. 3 is a front elevation view of the claimed design of FIG. 1; FIG. 4 is a rear elevation view of the claimed design of FIG. 1; FIG. 5 is a right side view of the claimed design of FIG. 1; FIG. 6 is a left side view of the claimed design of FIG. 1; FIG. 7 is a top view of the claimed design of FIG. 1; and, FIG. 8 is a bottom view of the claimed design of FIG. 1. The broken lines in the rake head represent portions of the article and form no part of the claimed design. The broken lines on the handle and the space between these broken lines form no part of the claimed design.

**1 Claim, 6 Drawing Sheets**



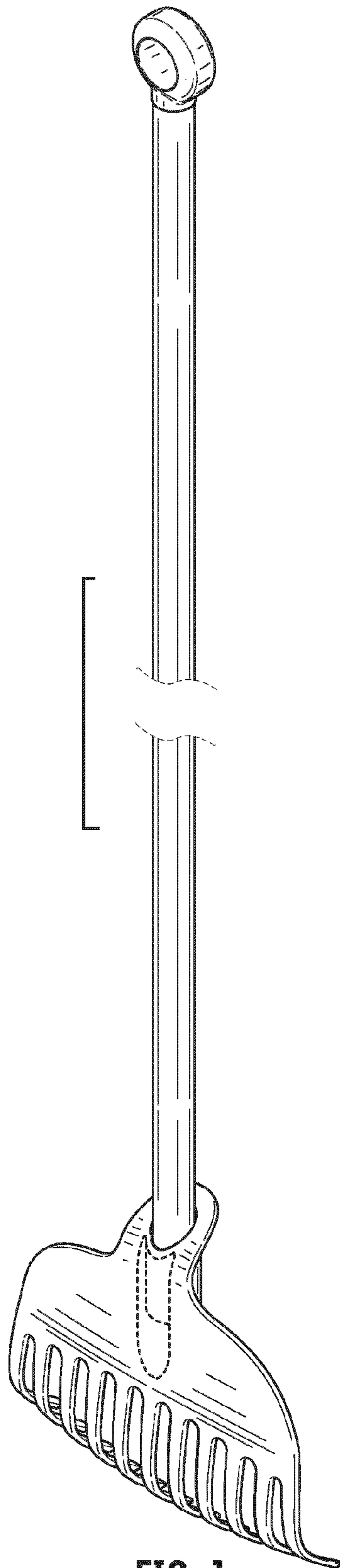


FIG. 1

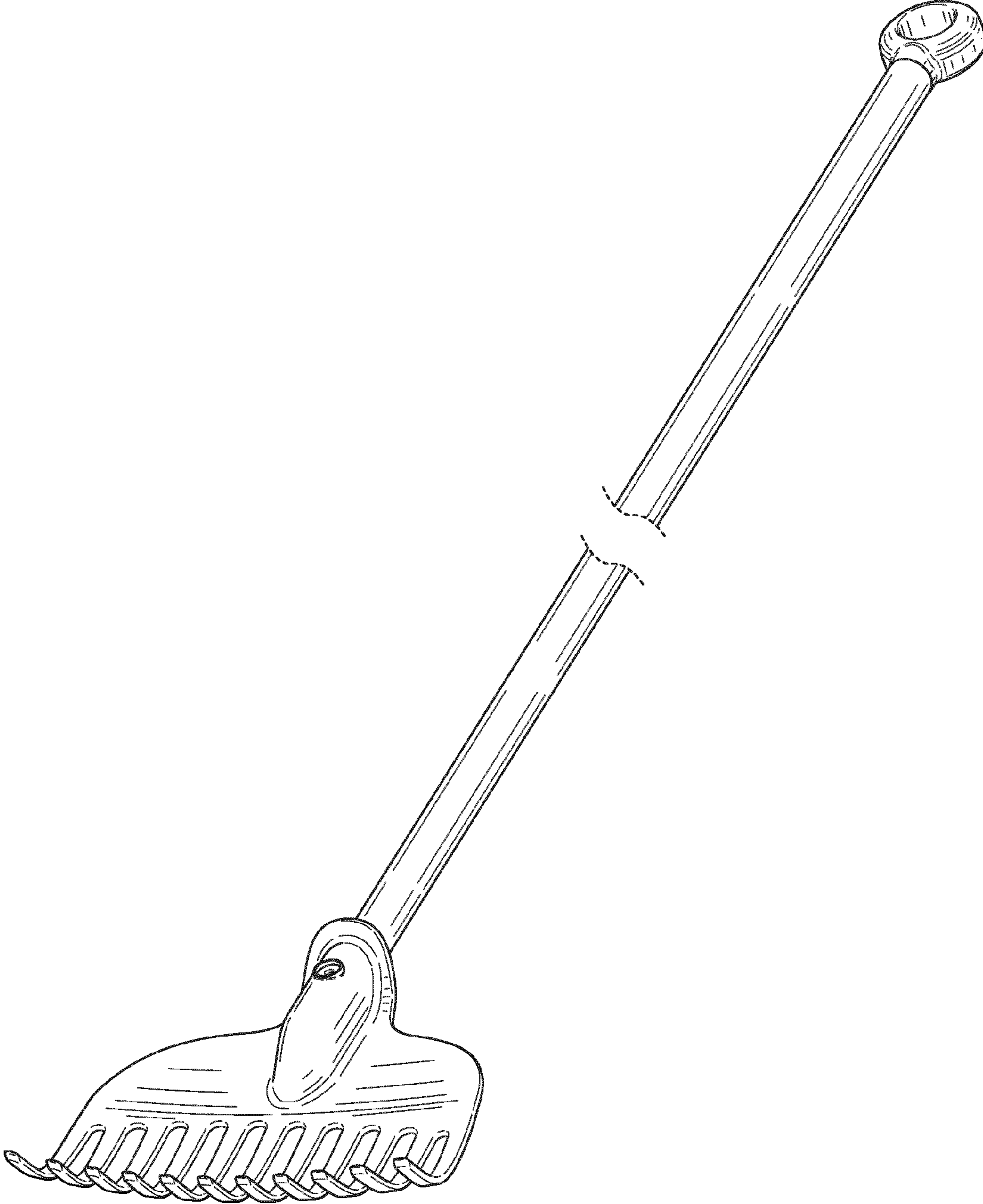


FIG. 2

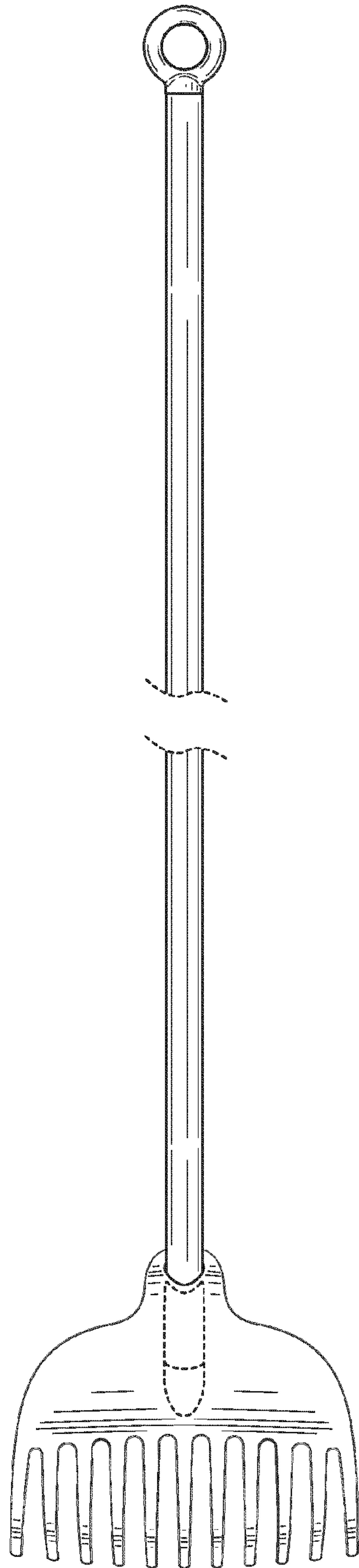


FIG. 3

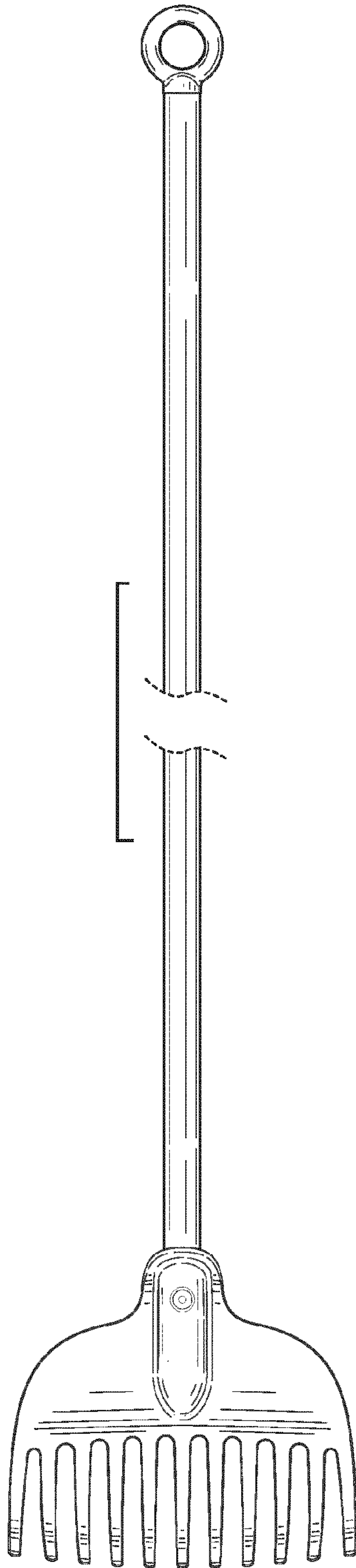


FIG. 4

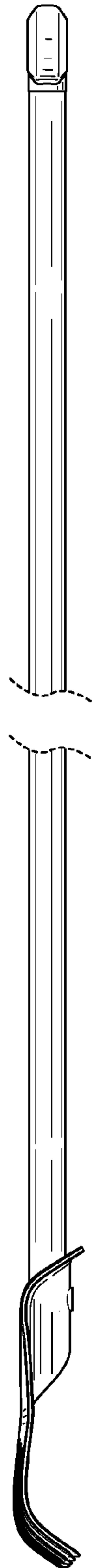


FIG. 5

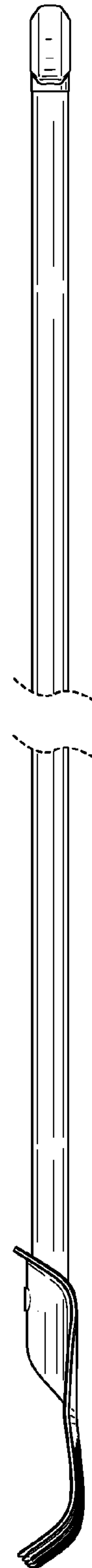


FIG. 6



FIG. 7



FIG. 8