



US00D719417S

(12) **United States Design Patent**
Hua

(10) **Patent No.:** **US D719,417 S**

(45) **Date of Patent:** **** Dec. 16, 2014**

(54) **OUTDOORS EMERGENCY SHOVEL**

(71) Applicant: **Zemin Hua**, Cixi (CN)

(72) Inventor: **Zemin Hua**, Cixi (CN)

(73) Assignee: **Zemin Hua**, Cixi (CN)

(**) Term: **14 Years**

(21) Appl. No.: **29/451,405**

(22) Filed: **Apr. 2, 2013**

(51) **LOC (10) Cl.** **08-01**

(52) **U.S. Cl.**
USPC **D8/10**

(58) **Field of Classification Search**
USPC D8/7, 10; 294/49, 53.5, 54.5, 57, 55.5,
294/51, 56, 58; 56/400.01, 400.14;
172/371-372
See application file for complete search history.

(56) **References Cited**

U.S. PATENT DOCUMENTS

D269,403 S * 6/1983 Miyata D8/10
D284,733 S * 7/1986 Hozumi D8/10

D358,309 S * 5/1995 Roe D8/10
D487,680 S * 3/2004 Sickler et al. D8/10
D568,121 S * 5/2008 Meyer D8/10
D626,804 S * 11/2010 Eash D8/10

* cited by examiner

Primary Examiner — Sheryl Lane

(74) *Attorney, Agent, or Firm* — Brundidge & Stanger, P.C.

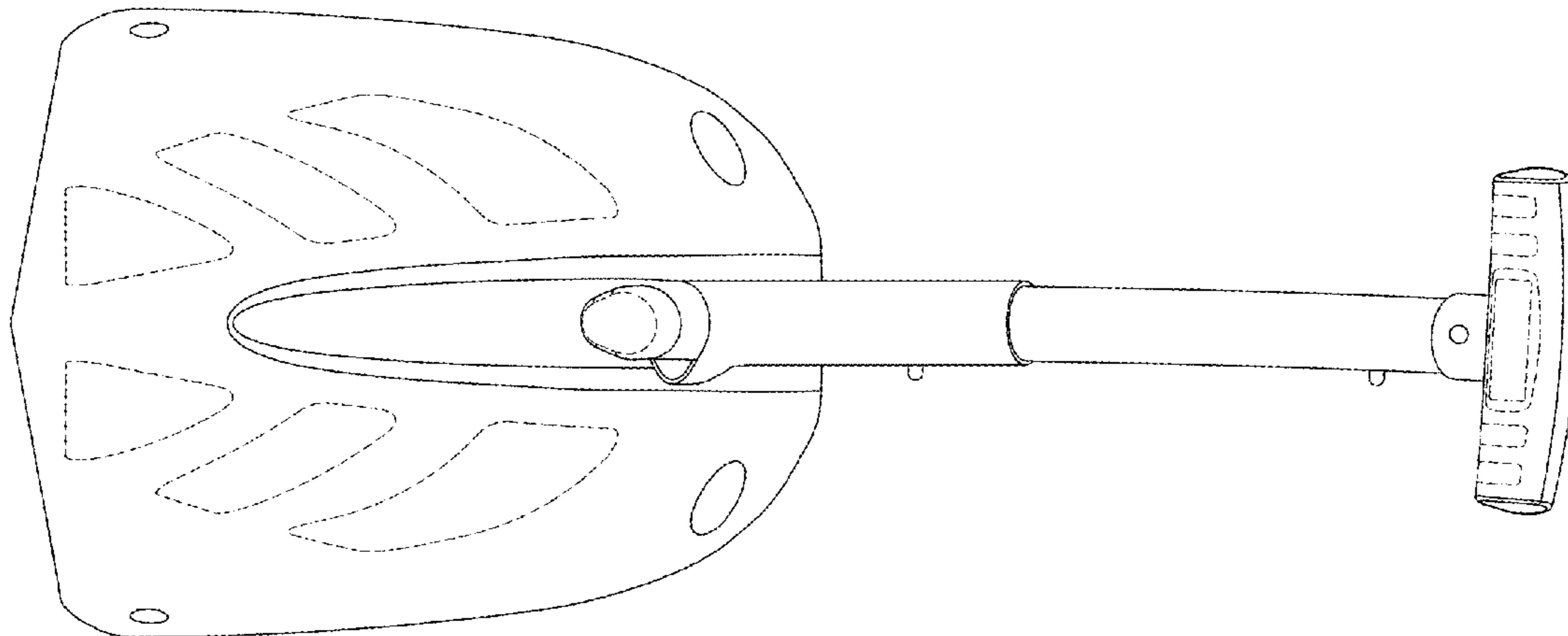
(57) **CLAIM**

The ornamental design for an outdoors emergency shovel, as shown and described.

DESCRIPTION

FIG. 1 is the front view of an outdoors emergency shovel showing my new design;
FIG. 2 is the rear view thereof;
FIG. 3 is the top view thereof;
FIG. 4 is the bottom view thereof;
FIG. 5 is the right view thereof;
FIG. 6 is the perspective view thereof; and,
FIG. 7 is the contraction view thereof.
The broken lines in FIGS. 1-7 are included for the purpose of illustrating portions of the outdoors emergency shovel and form no part of the claimed design.

1 Claim, 7 Drawing Sheets



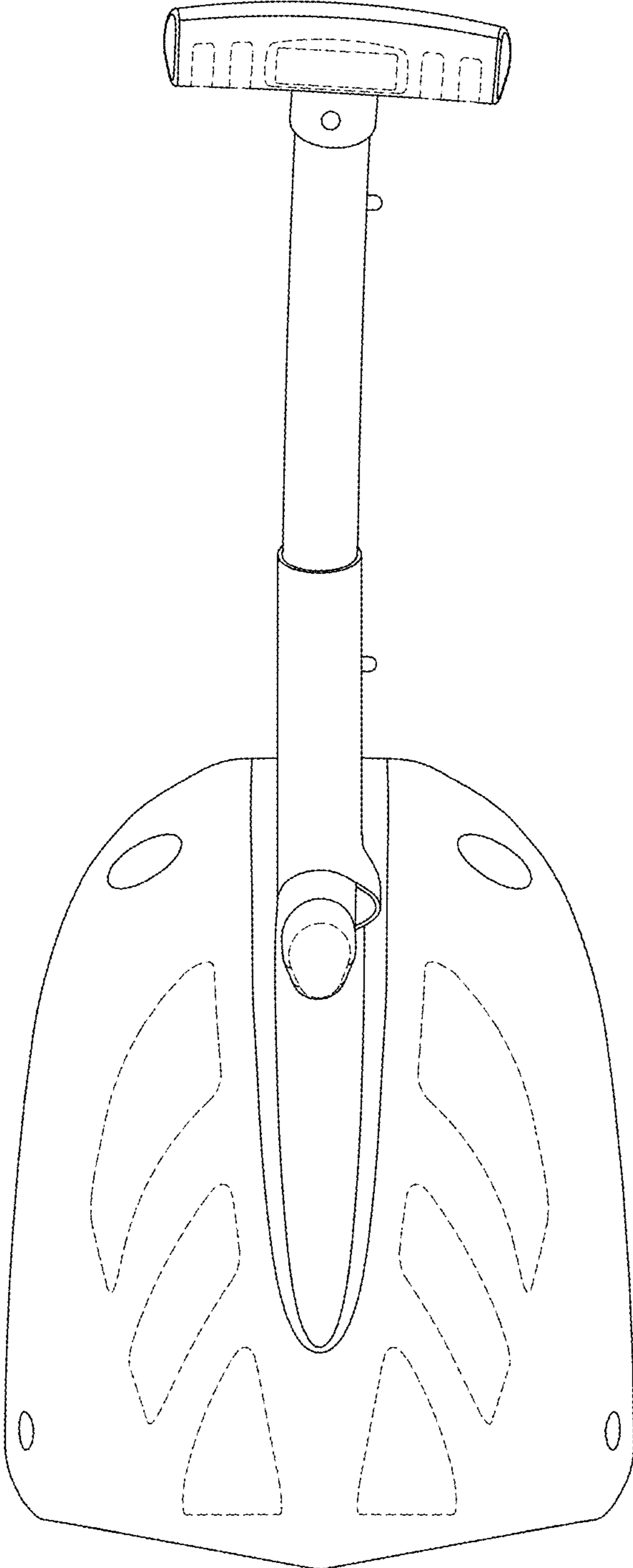


FIG. 1

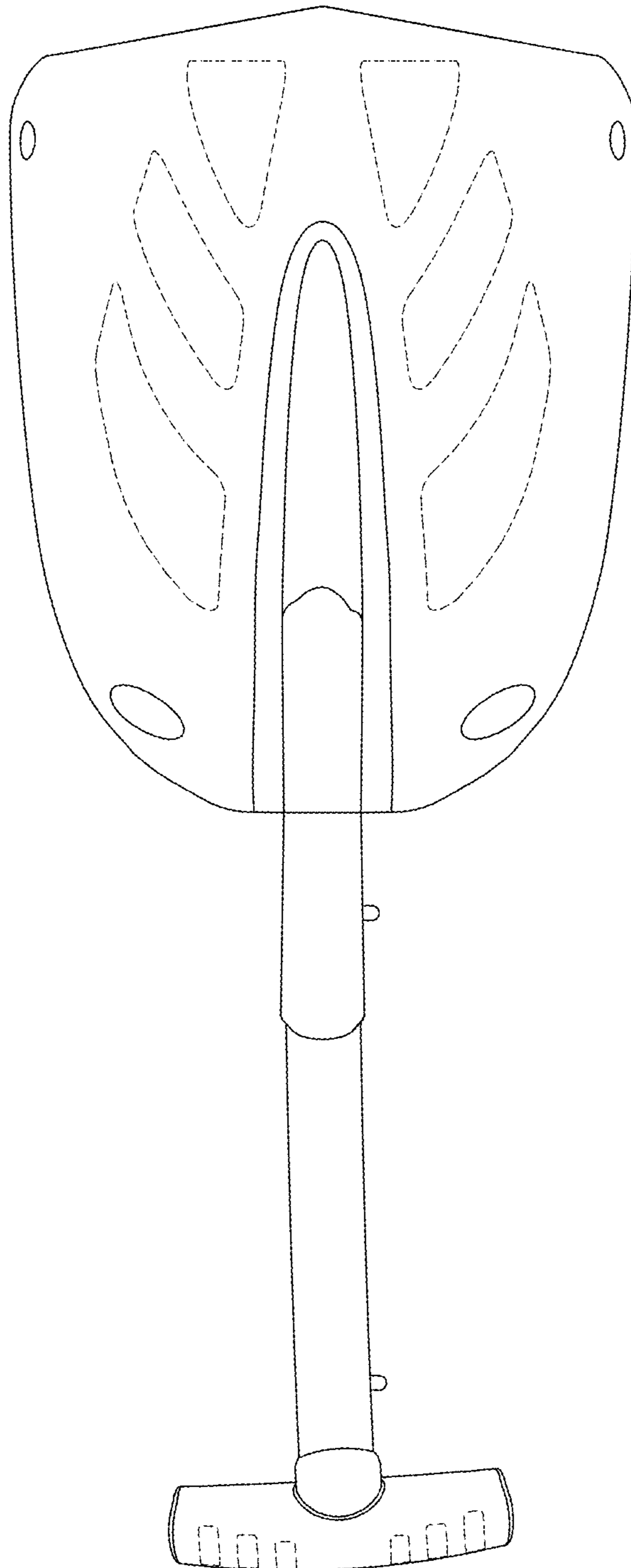


FIG. 2

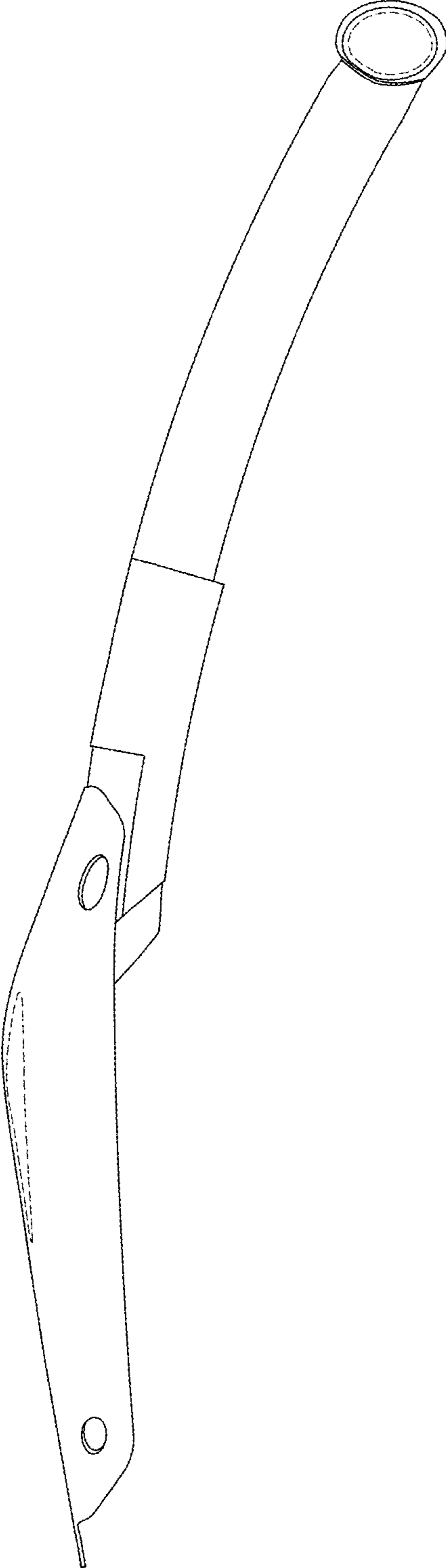


FIG. 3

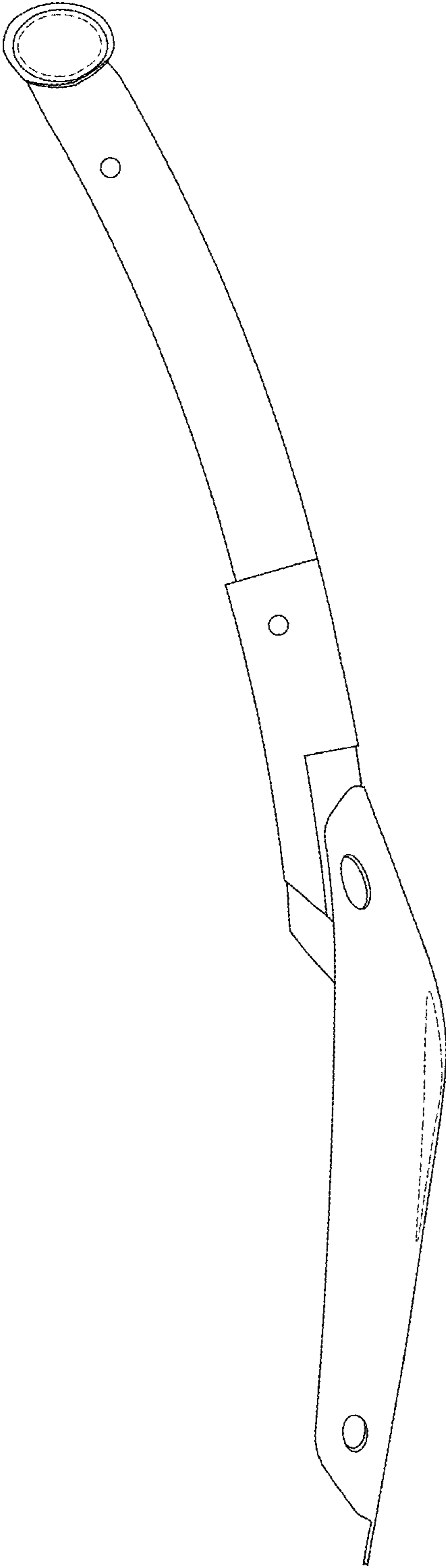


FIG. 4

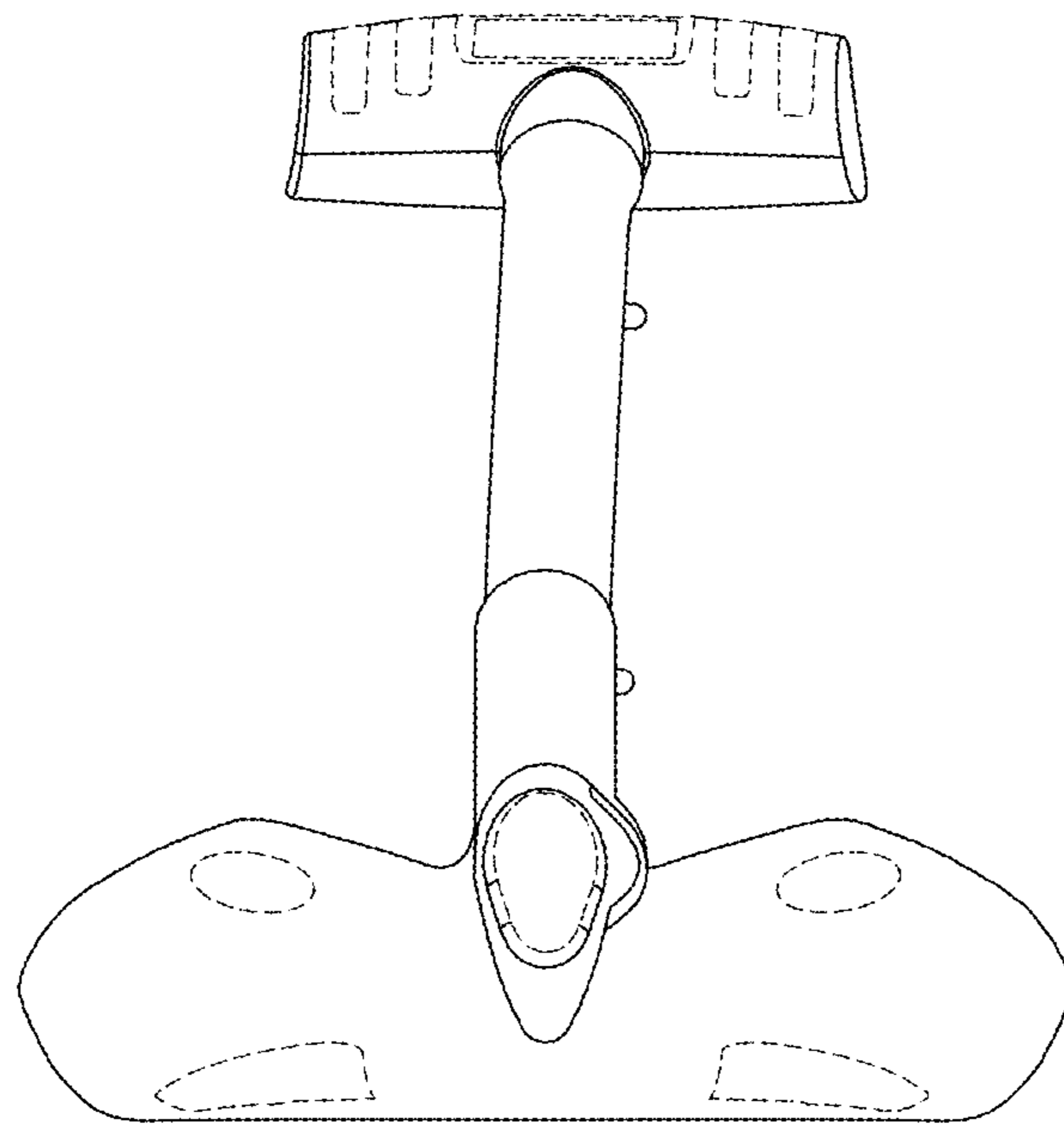


FIG. 5

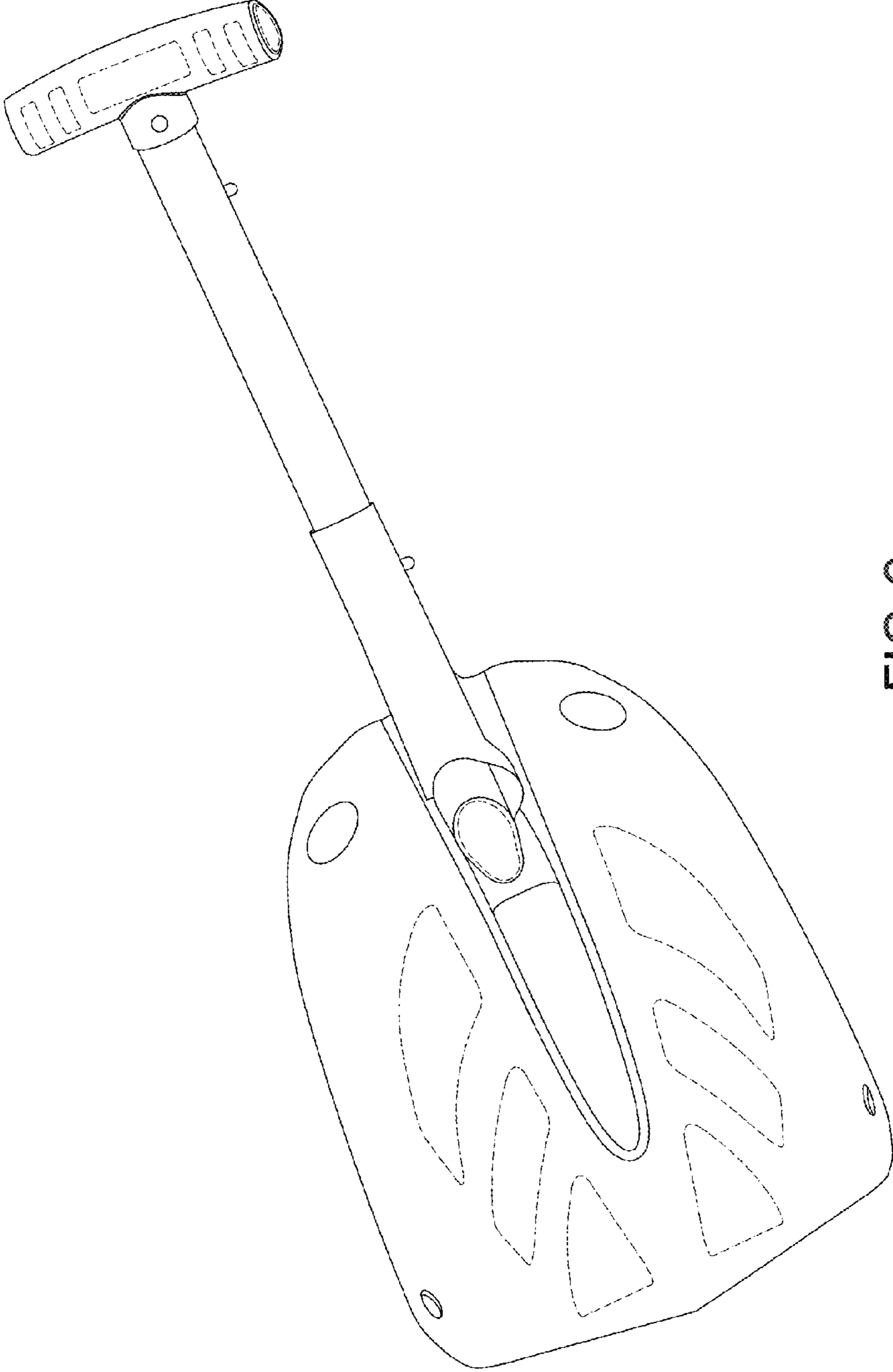


FIG. 6

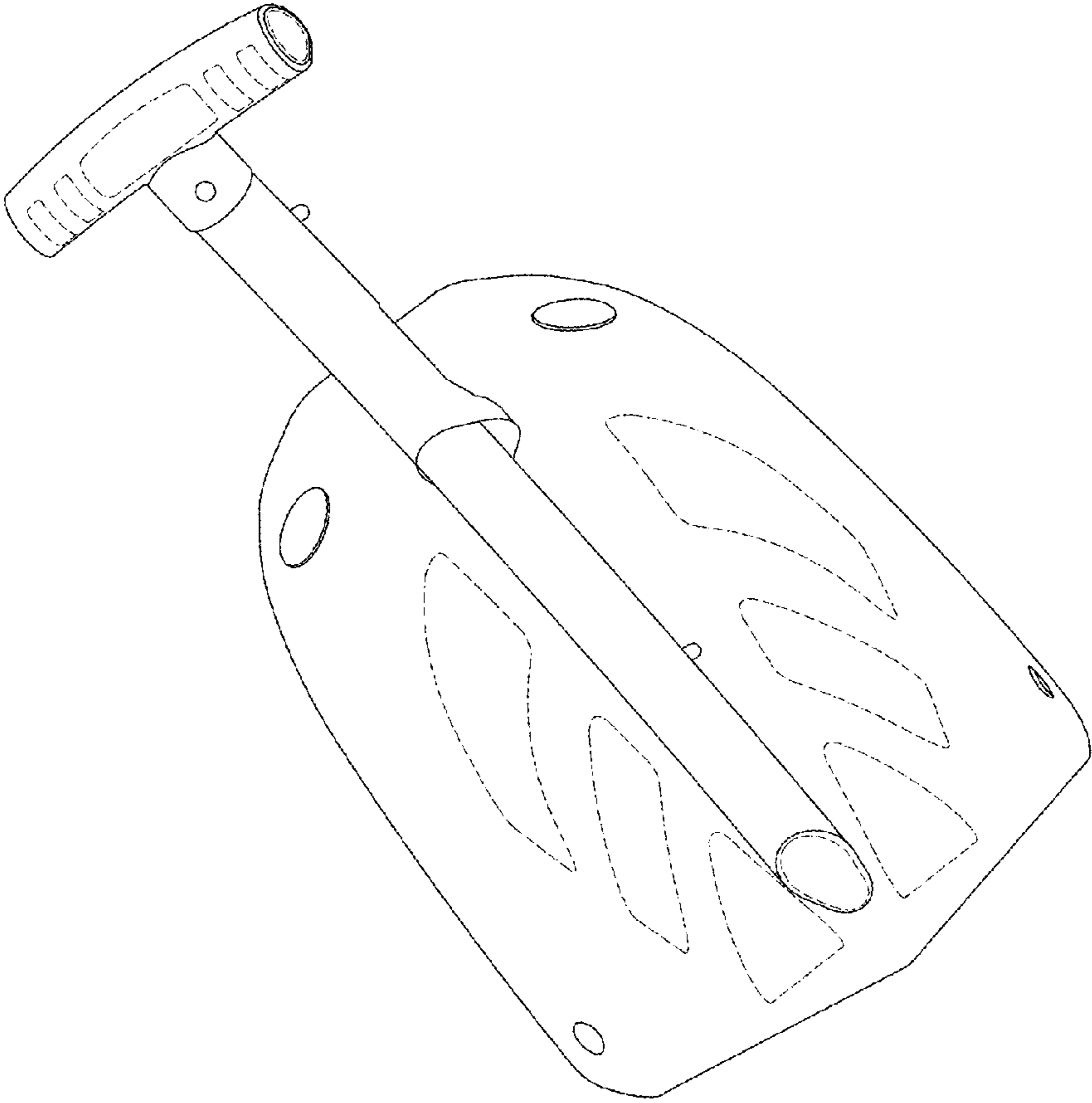


FIG. 7