



US00D719415S

(12) **United States Design Patent**  
**Albertson**

(10) **Patent No.:** **US D719,415 S**

(45) **Date of Patent:** **\*\* \*Dec. 16, 2014**

(54) **COMBINED KNIFE AND STRING FOR STRING TRIMMER**

D496,840	S	*	10/2004	Iacona	.....	D8/8
D532,263	S	*	11/2006	Iacona	.....	D8/8
7,257,898	B2	*	8/2007	Iacona	.....	30/276
D610,886	S	*	3/2010	Bauer	.....	D8/8
D675,073	S	*	1/2013	Milburn	.....	D8/8
D679,156	S	*	4/2013	Lyles	.....	D8/8

(71) Applicant: **Robert Victor Albertson**, Alma, WI (US)

(72) Inventor: **Robert Victor Albertson**, Alma, WI (US)

\* cited by examiner

(\*) Notice: This patent is subject to a terminal disclaimer.

Primary Examiner — Sheryl Lane

(74) Attorney, Agent, or Firm — Richard John Bartz

(\*\*) Term: **14 Years**

(57) **CLAIM**

The ornamental design of the combined knife and string for a string trimmer, as shown and described.

(21) Appl. No.: **29/463,500**

(22) Filed: **Dec. 16, 2013**

**DESCRIPTION**

(51) **LOC (10) Cl.** ..... **08-01**

(52) **U.S. Cl.**  
USPC ..... **D8/8**

(58) **Field of Classification Search**  
CPC ..... A01D 34/416; A01D 34/4166; A01D 34/4167; A01D 34/90; A01D 34/84  
USPC ..... D8/7-9; D15/17, 1; 30/276, 208-210, 30/347, 228, 282-383; 56/12.7, 233-234  
See application file for complete search history.

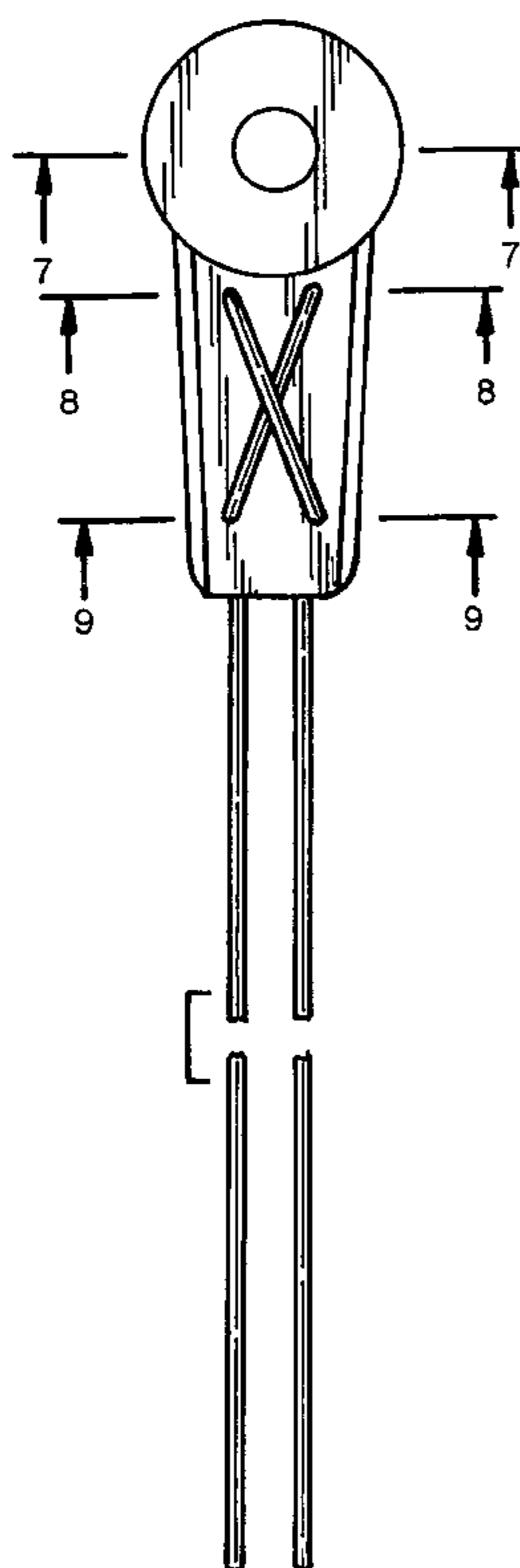
FIG. 1 is a front elevation view of a combined knife and string for a string trimmer of my design;  
FIG. 2 is a rear elevation view thereof;  
FIG. 3 is a side elevational view of the left side of FIG. 1;  
FIG. 4 is a side elevational view of the right side of FIG. 1;  
FIG. 5 is a top plan view thereof;  
FIG. 6 is a bottom plan view thereof;  
FIG. 7 is a sectional view taken along line 7-7 of FIG. 1;  
FIG. 8 is a sectional view taken along line 8-8 of FIG. 1; and,  
FIG. 9 is a sectional view taken along line 9-9 of FIG. 1.  
The string is shown with an illustrative break. The space between the break lines forms no part of the claimed design.

(56) **References Cited**

U.S. PATENT DOCUMENTS

6,519,857	B1	*	2/2003	Proulx et al.	.....	30/276
6,601,373	B1	*	8/2003	Legrand	.....	56/12.7

**1 Claim, 3 Drawing Sheets**



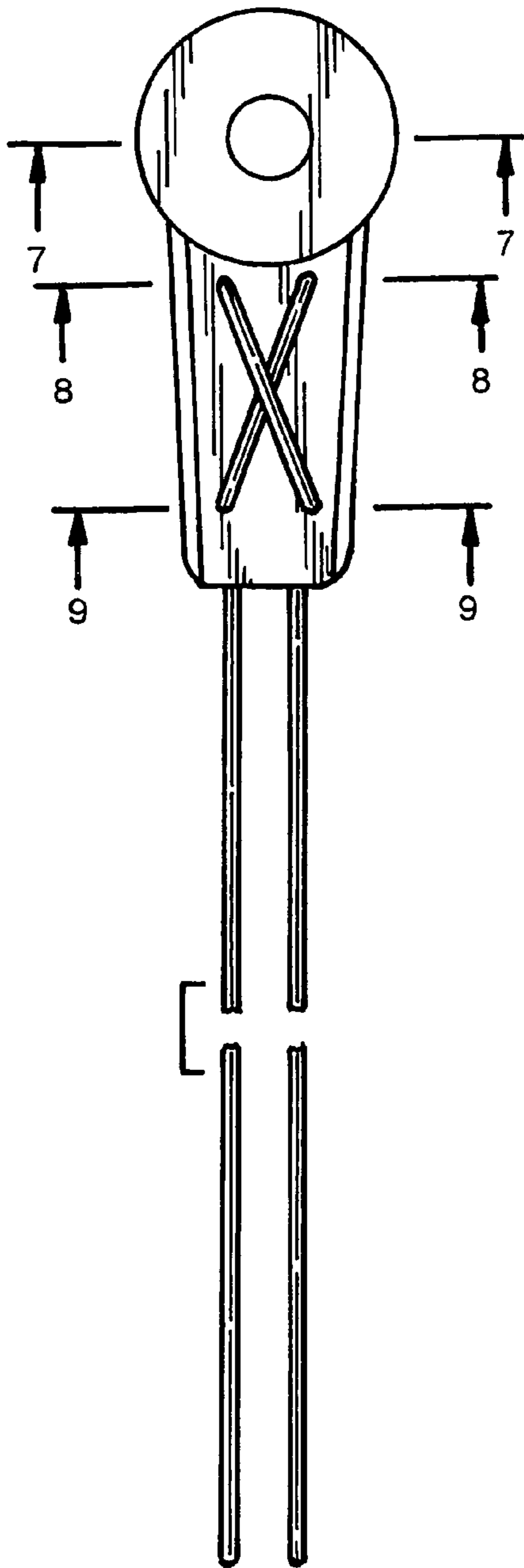


FIG. 1

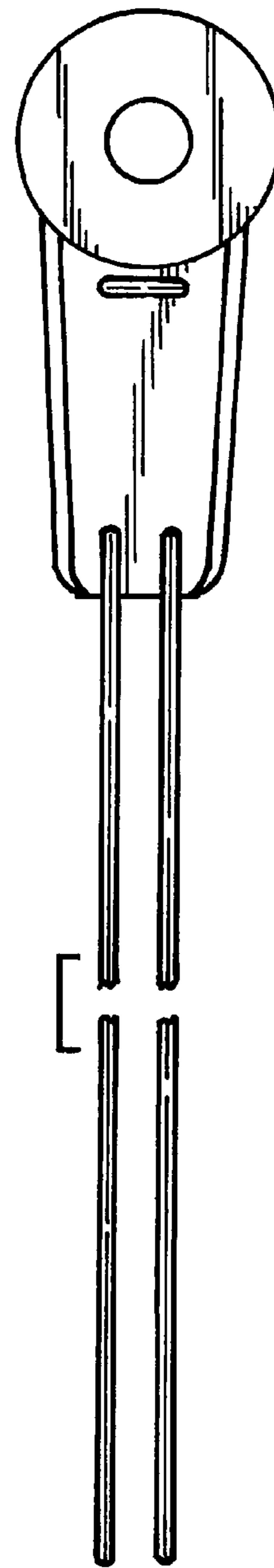


FIG. 2



FIG.3

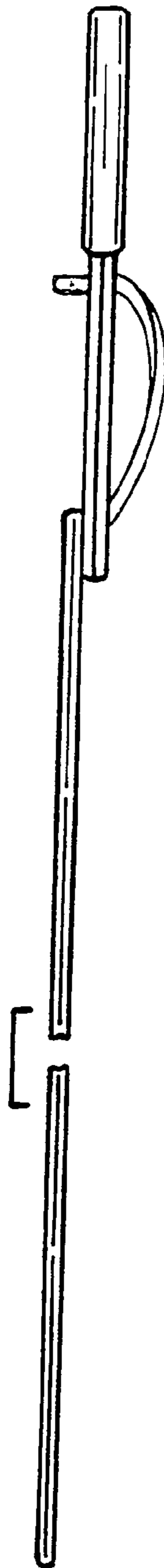


FIG.4

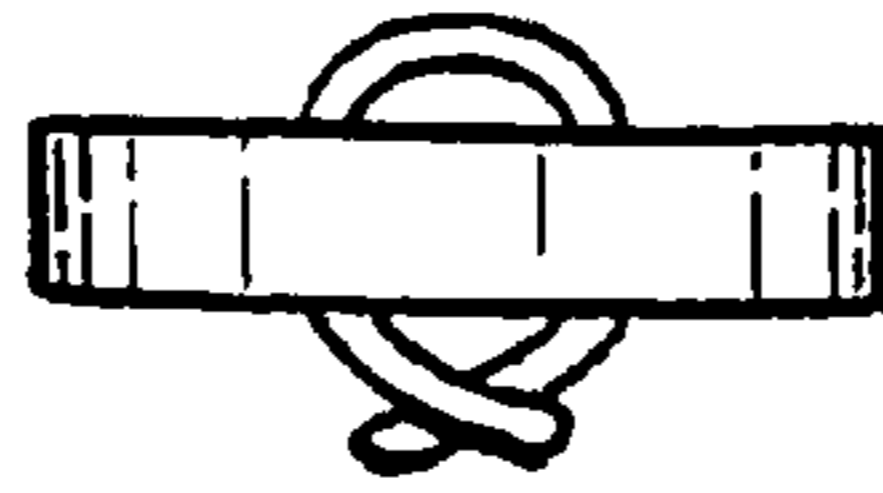


FIG. 5

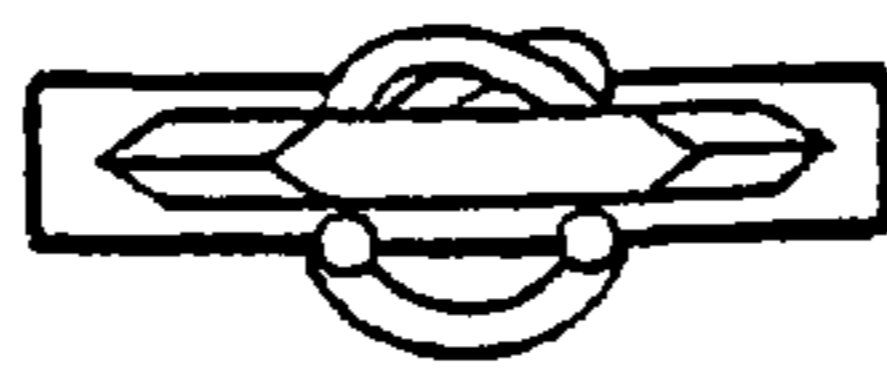


FIG. 6



FIG. 7



FIG. 8



FIG. 9