



US00D719414S

(12) **United States Design Patent**
Hester

(10) **Patent No.:** **US D719,414 S**

(45) **Date of Patent:** **** Dec. 16, 2014**

(54) **FUNNEL**

(71) Applicant: **Robert Dale Hester**, Edmond, OK (US)

(72) Inventor: **Robert Dale Hester**, Edmond, OK (US)

(**) Term: **14 Years**

(21) Appl. No.: **29/463,252**

(22) Filed: **Sep. 21, 2013**

(51) **LOC (10) Cl.** **07-99**

(52) **U.S. Cl.**
USPC **D7/700**

(58) **Field of Classification Search**

CPC B67C 3/34; B65B 39/00

USPC D7/700, 400; D15/150, 152; D23/200;

D9/434-436; 141/331-345, 199-205,

141/384, 386, 95; 215/316, 321, 329, 43

See application file for complete search history.

(56) **References Cited**

U.S. PATENT DOCUMENTS

213,244	A	3/1879	Pettibone	
475,874	A	5/1892	Leggett	
589,659	A	9/1897	Krack	
3,874,429	A	4/1975	LaFarge	
4,149,575	A *	4/1979	Fisher	141/98
4,583,668	A	4/1986	Maynard, Jr.	
4,600,125	A *	7/1986	Maynard, Jr.	222/81
4,823,848	A *	4/1989	Sentmore et al.	141/334

5,305,910	A	4/1994	Pollacco	
5,402,835	A	4/1995	Middleton	
5,472,025	A	12/1995	Conrad	
5,921,296	A *	7/1999	Porter et al.	141/340
5,967,201	A *	10/1999	Gasior	141/98
D432,915	S *	10/2000	Smith	D9/436
6,155,315	A *	12/2000	Peterson	141/331
6,223,792	B1	5/2001	Slagle	
6,425,424	B1 *	7/2002	Ellis Calvo et al.	141/331
6,470,928	B1 *	10/2002	Davis et al.	141/364
D511,455	S *	11/2005	Newell	D9/436
7,690,521	B1	4/2010	Herrera	
8,011,396	B1	9/2011	Harvey	
8,109,399	B1 *	2/2012	Sheffield et al.	215/386
2007/0079898	A1 *	4/2007	Grover et al.	141/340

* cited by examiner

Primary Examiner — Terry Wallace

(74) *Attorney, Agent, or Firm* — Randal Homburg

(57) **CLAIM**

The ornamental design for a funnel, as shown and described.

DESCRIPTION

FIG. 1 is an upper perspective view of a funnel.

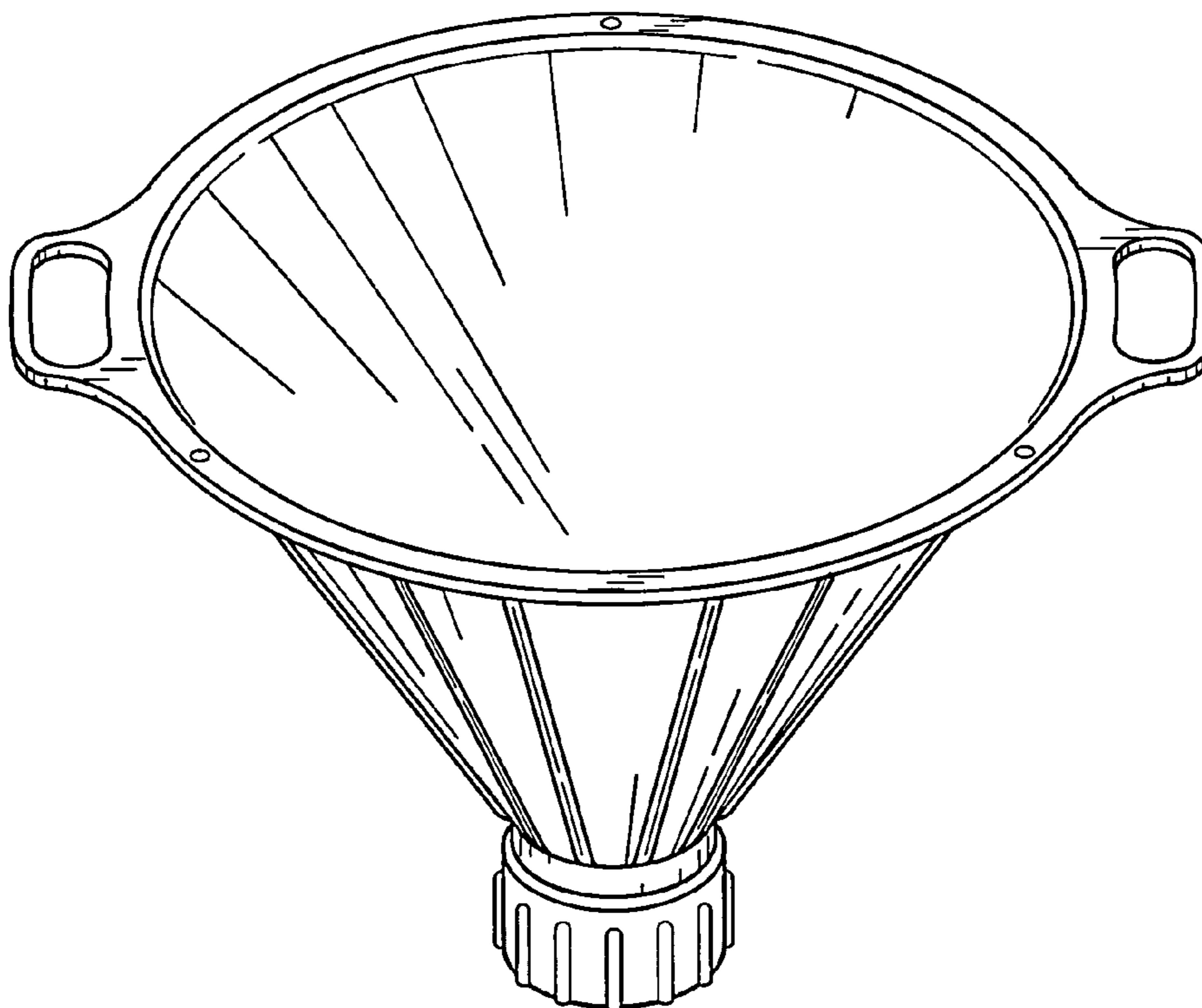
FIG. 2 is a front and rear view of the funnel.

FIG. 3 is a right and left side view of the funnel.

FIG. 4 is a top view of the funnel; and,

FIG. 5 is a bottom view of the funnel.

1 Claim, 3 Drawing Sheets



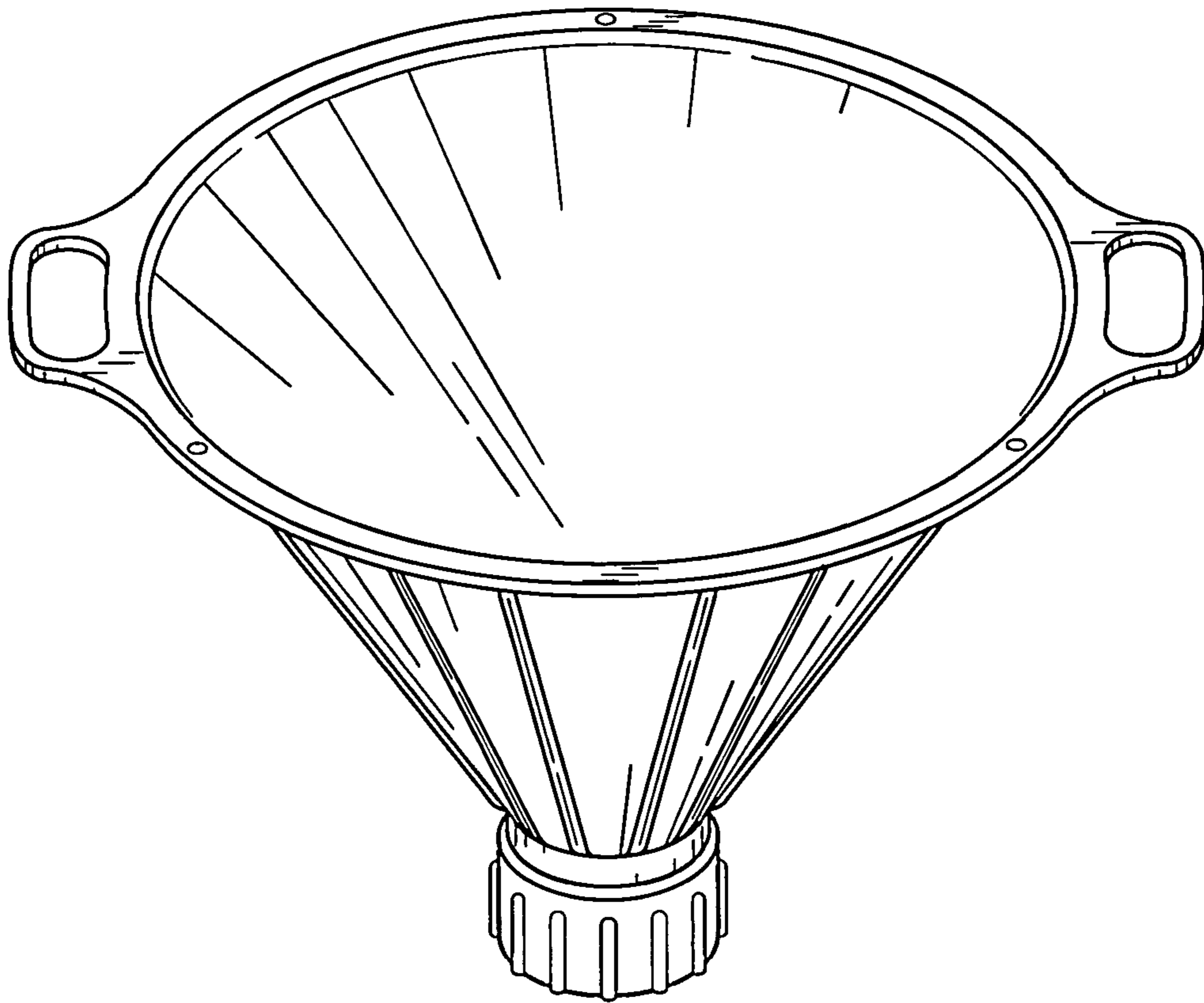


FIG. 1

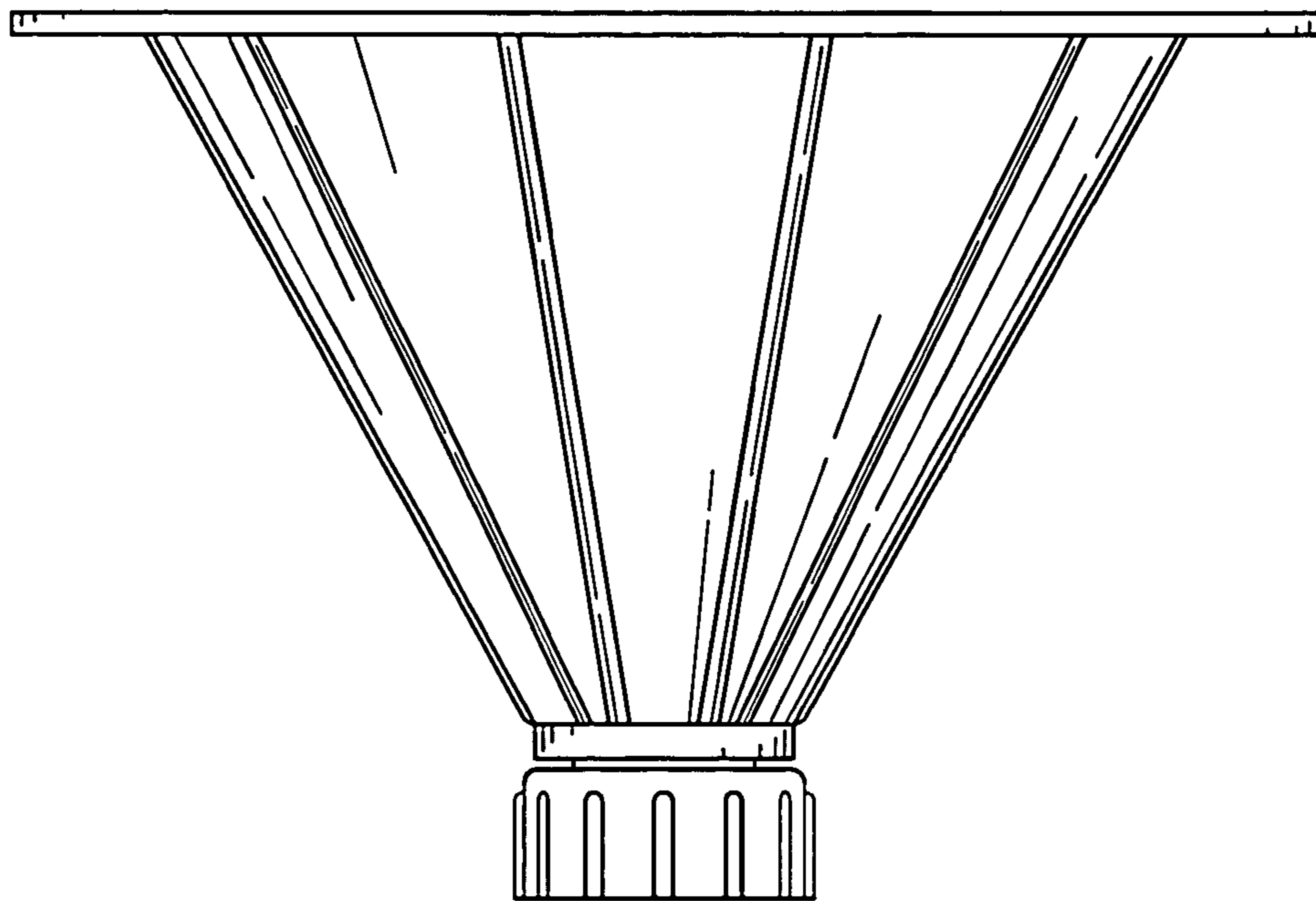


FIG. 2

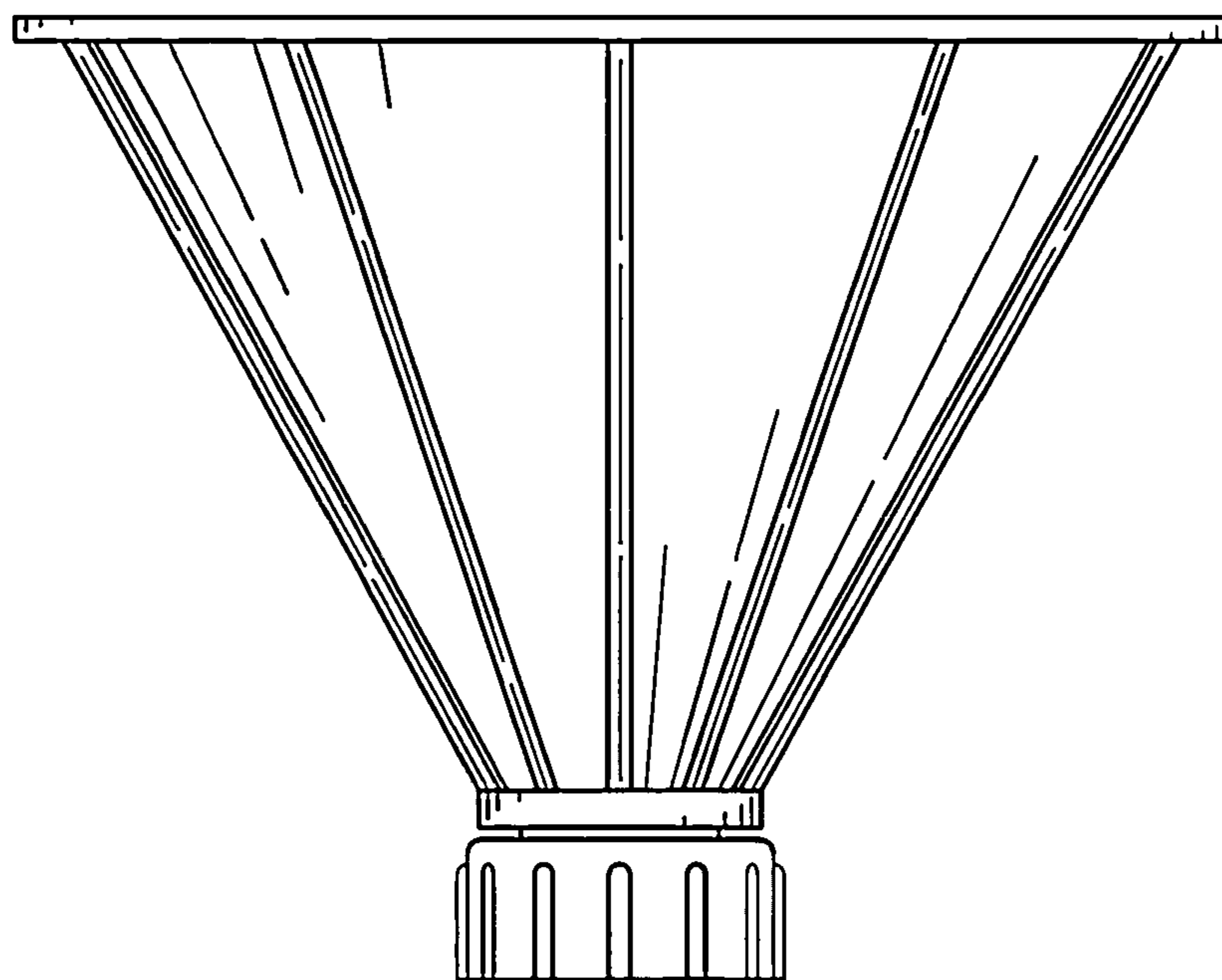


FIG. 3

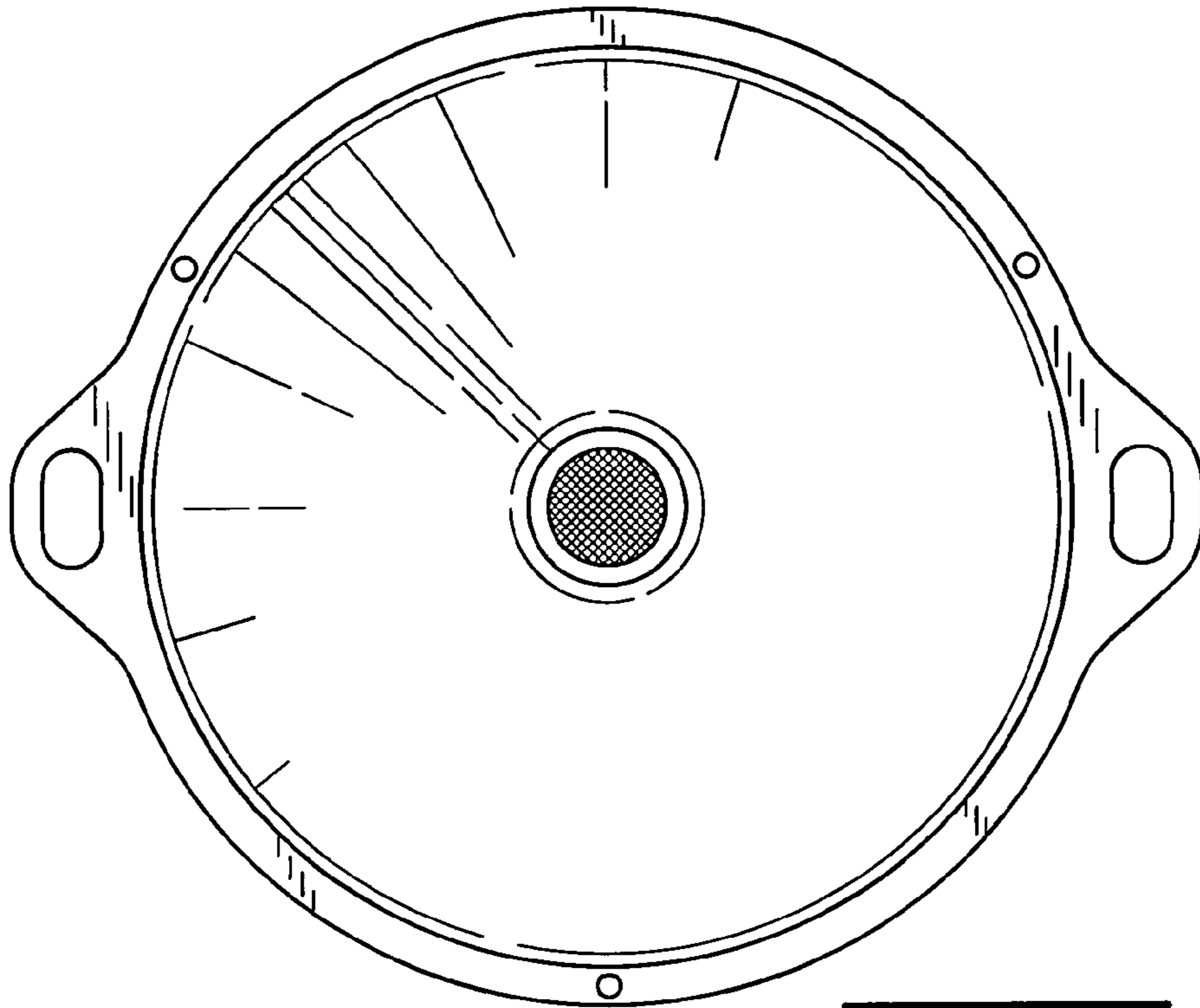


FIG. 4

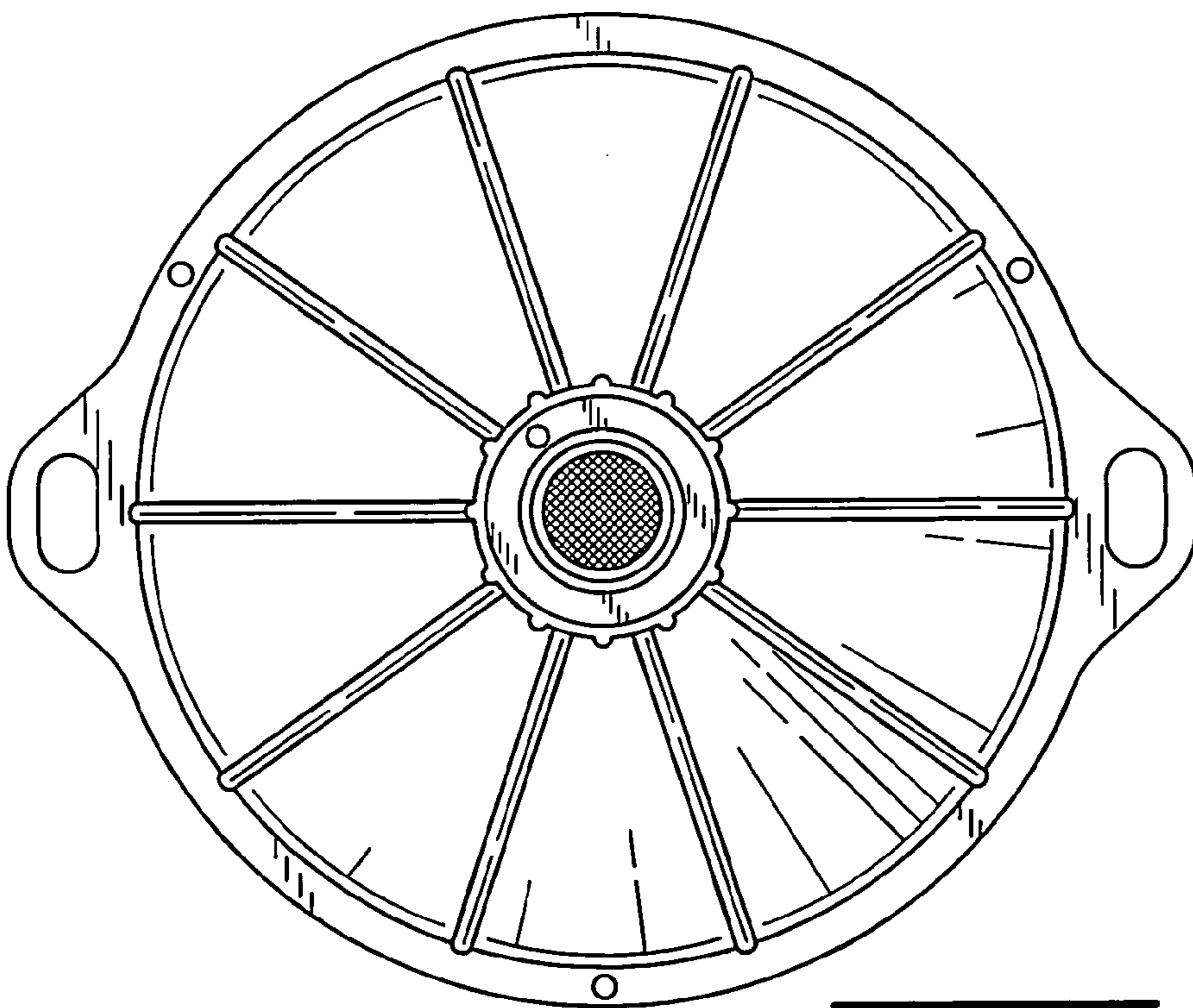


FIG. 5