

US00D719410S

(12) **United States Design Patent**  
**Lee et al.**

(10) **Patent No.:** **US D719,410 S**  
(45) **Date of Patent:** **\*\* Dec. 16, 2014**

- (54) **BOWL**
- (71) Applicant: **Robinson Home Products Inc.**,  
Williamsville, NY (US)
- (72) Inventors: **Stuart Harvey Lee**, Forest Hills, NY  
(US); **Inbal Zahava Aderka**, Brooklyn,  
NY (US)
- (73) Assignee: **Robinson Home Products Inc.**,  
Williamsville, NY (US)
- (\*\*) Term: **14 Years**
- (21) Appl. No.: **29/477,605**
- (22) Filed: **Dec. 24, 2013**
- (51) **LOC (10) Cl.** ..... **07-07**
- (52) **U.S. Cl.**  
USPC ..... **D7/602**
- (58) **Field of Classification Search**  
USPC ..... D7/602, 629, 630, 538-549, 584, 586,  
D7/587; D9/424-429; 220/574-575,  
220/780-806  
See application file for complete search history.

7,678,271 B2	3/2010	Curtin	
D613,598 S *	4/2010	Westphal	D9/503
D621,667 S *	8/2010	Ablo	D7/629
D629,264 S *	12/2010	Curtin	D7/665
D652,258 S	1/2012	Lee et al.	
D672,200 S	12/2012	Lee et al.	
D682,619 S	5/2013	Lee et al.	
2005/0127074 A1 *	6/2005	Kusuma et al.	220/6
2010/0170840 A1	7/2010	Curtin	
2012/0103991 A1 *	5/2012	Segal	220/270

\* cited by examiner  
*Primary Examiner* — Terry Wallace  
 (74) *Attorney, Agent, or Firm* — Florek & Endres PLLC

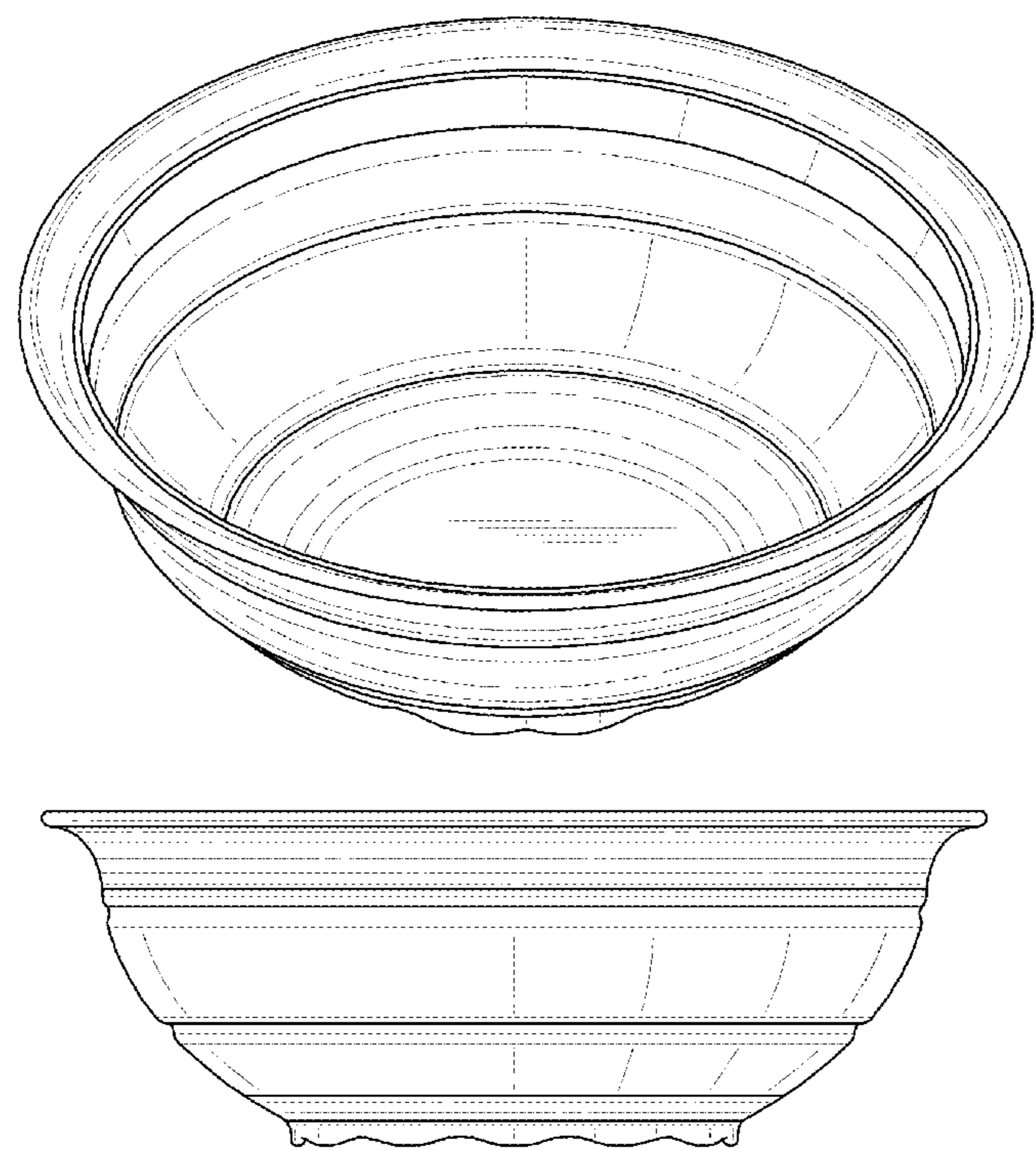
(57) **CLAIM**  
 We claim the ornamental design for a bowl, as shown and described.

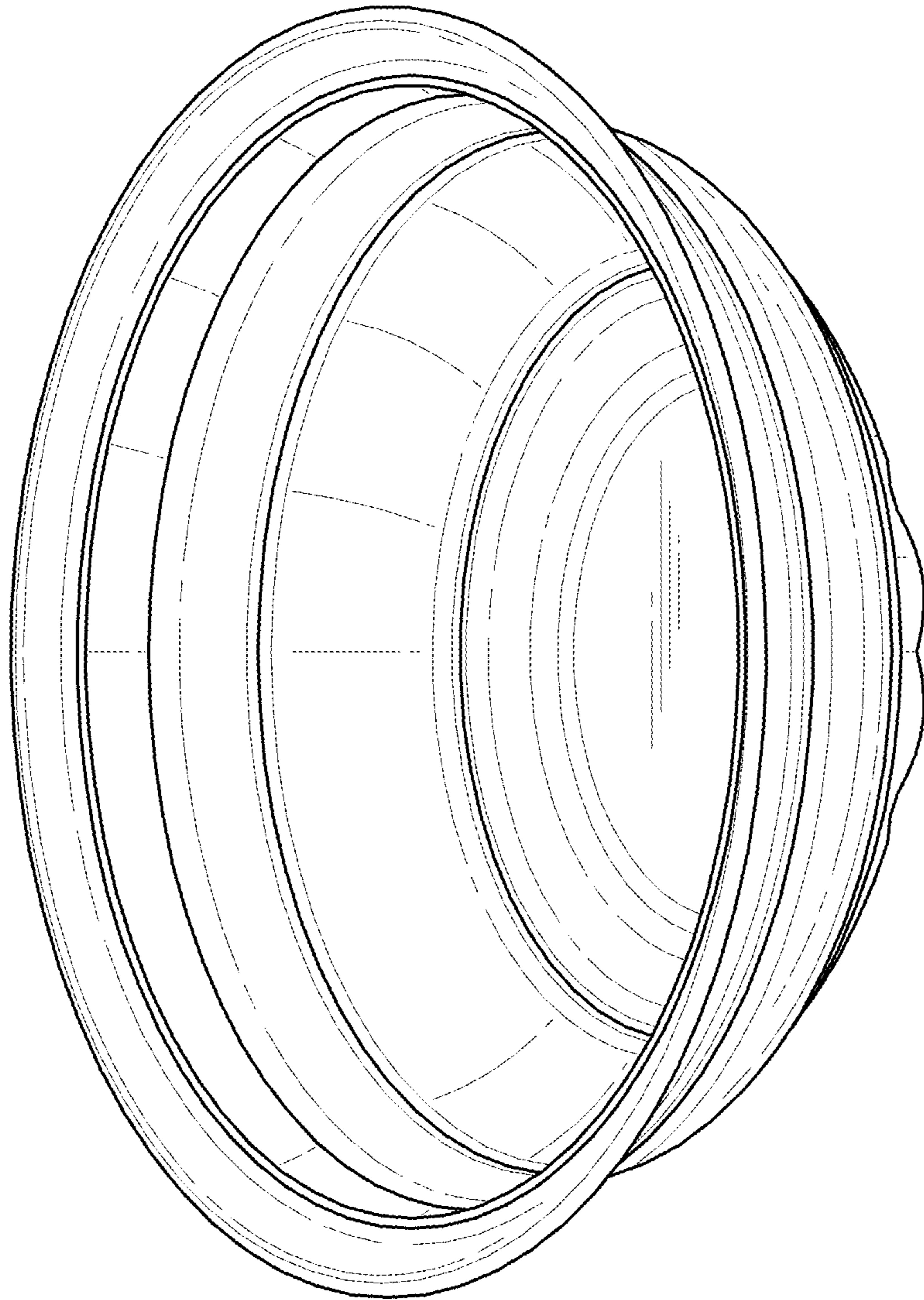
**DESCRIPTION**

FIG. 1 is a perspective view of the bowl of the present invention.  
 FIG. 2 is a front elevation view of the bowl of the present invention.  
 FIG. 3 is a rear elevation view of the bowl of the present invention.  
 FIG. 4 is a left side elevation view of the bowl of the present invention.  
 FIG. 5 is a right side elevation view of the bowl of the present invention.  
 FIG. 6 is a top plan view of the bowl of the present invention; and,  
 FIG. 7 is a bottom plan view of the bowl of the present invention.

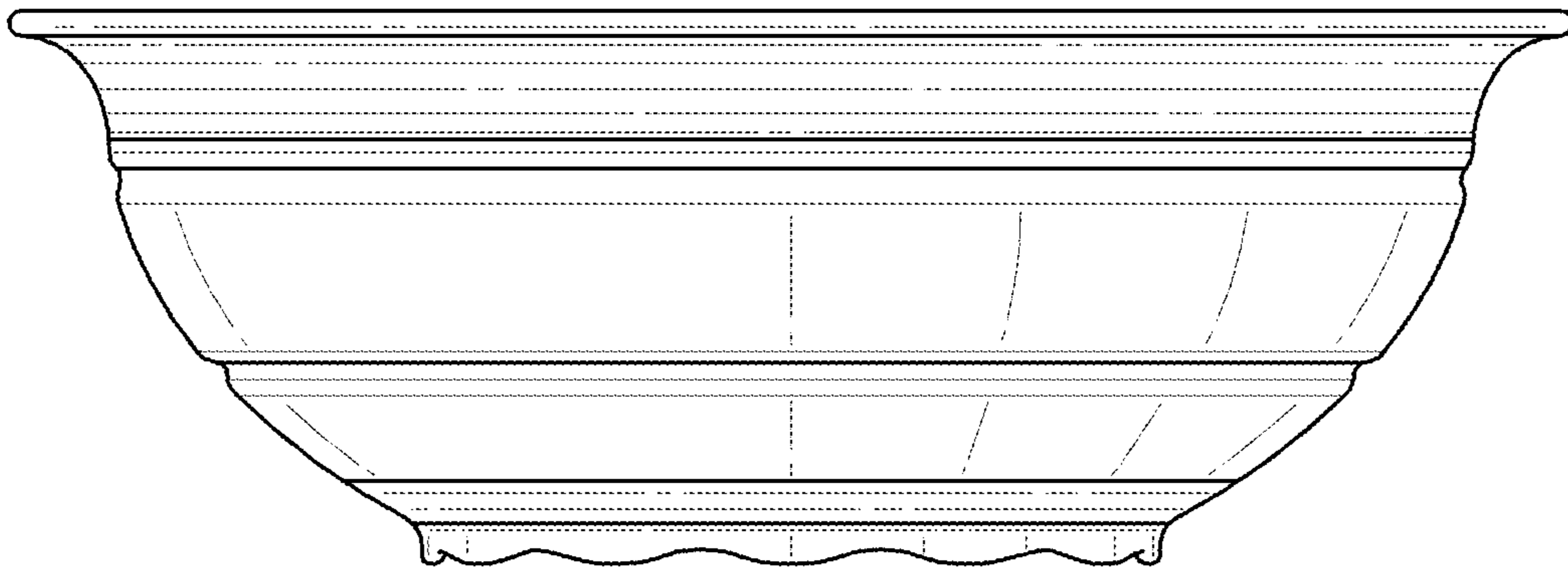
**1 Claim, 7 Drawing Sheets**

- (56) **References Cited**  
 U.S. PATENT DOCUMENTS  
 5,356,026 A \* 10/1994 Andress et al. .... 206/508  
 D491,024 S \* 6/2004 Welsh ..... D7/629  
 D545,137 S \* 6/2007 Furlong et al. .... D7/629  
 D582,101 S 12/2008 Shamoon  
 D584,110 S \* 1/2009 Hauser ..... D7/629  
 D606,368 S \* 12/2009 Wu ..... D7/629

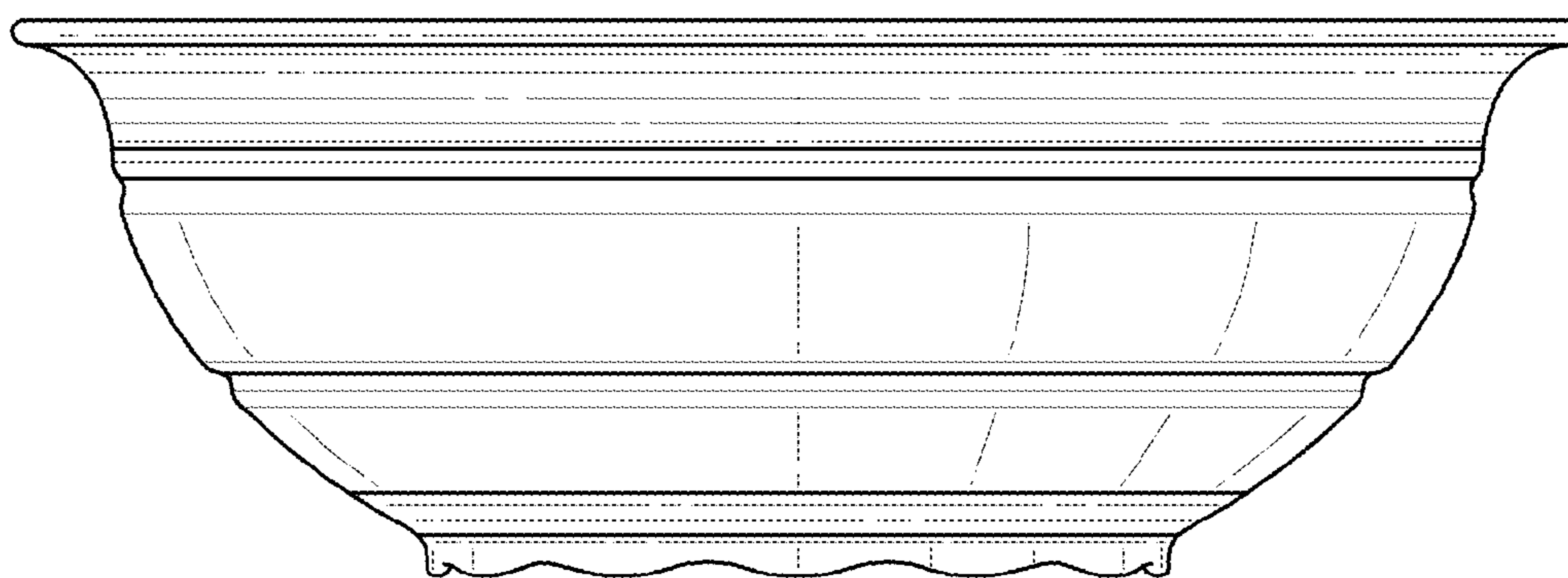




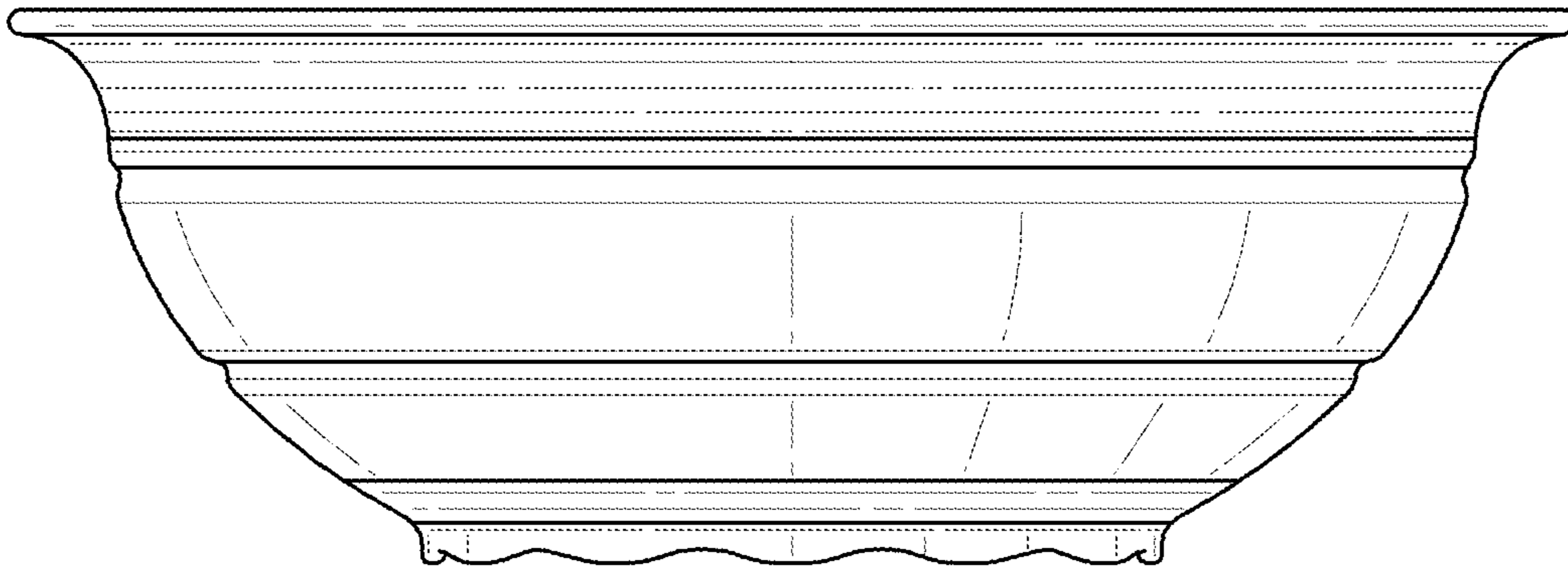
**FIG. 1**



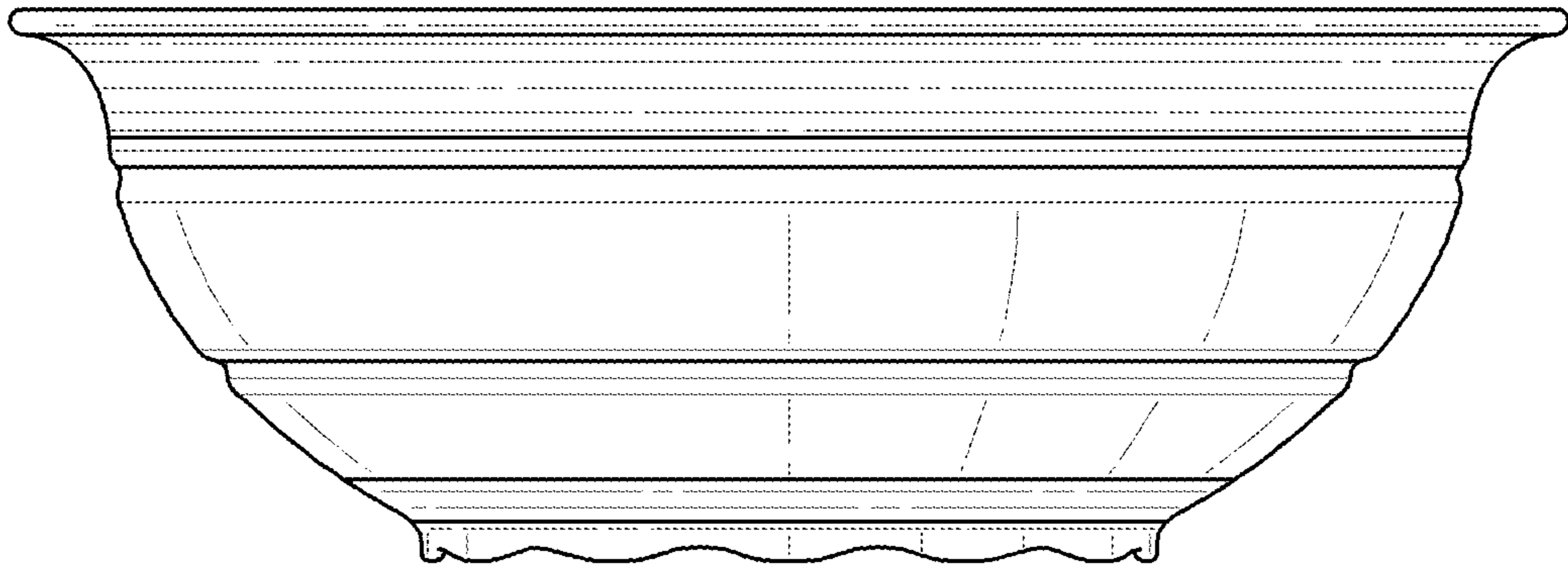
*FIG. 2*



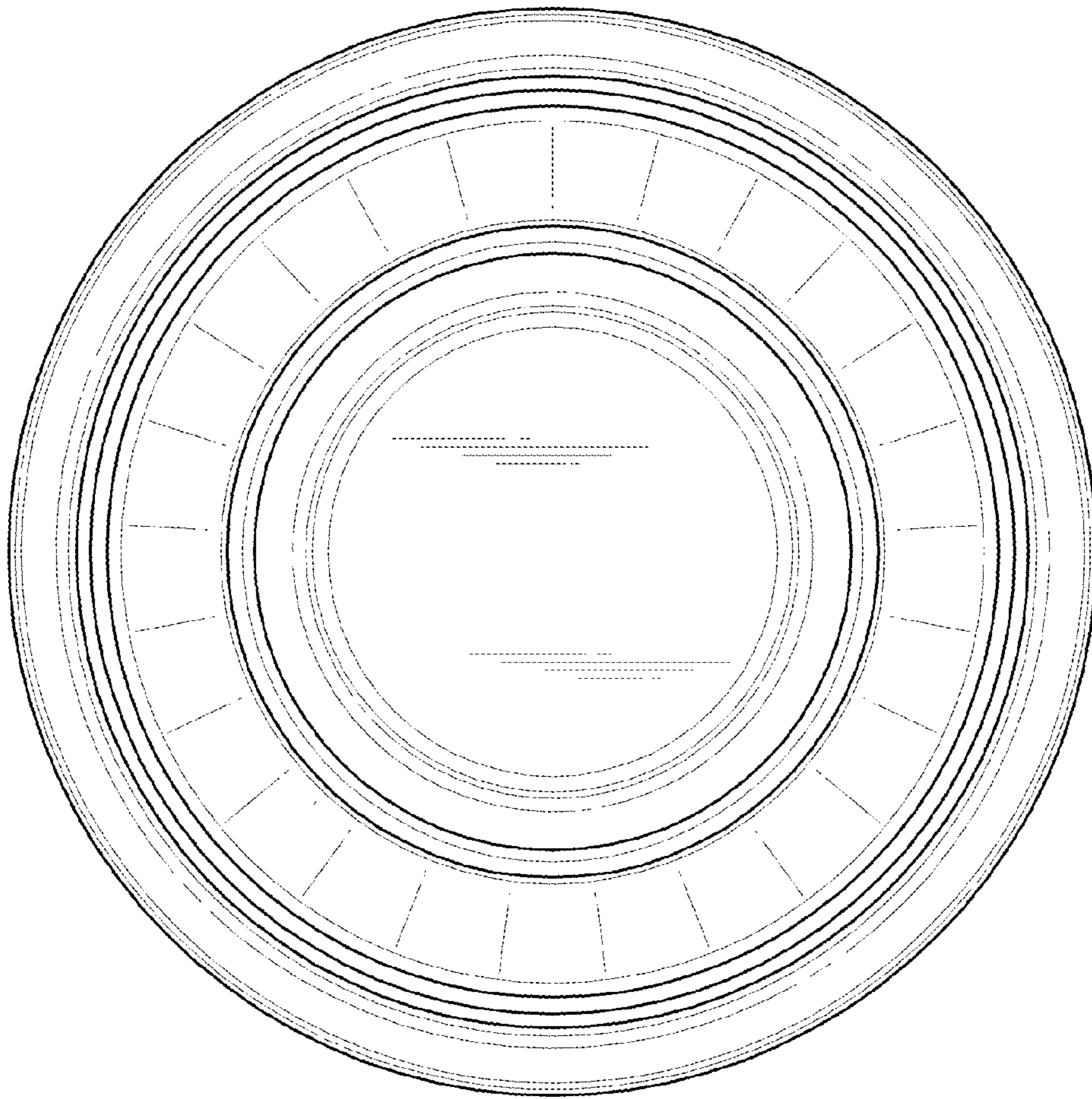
*FIG. 3*



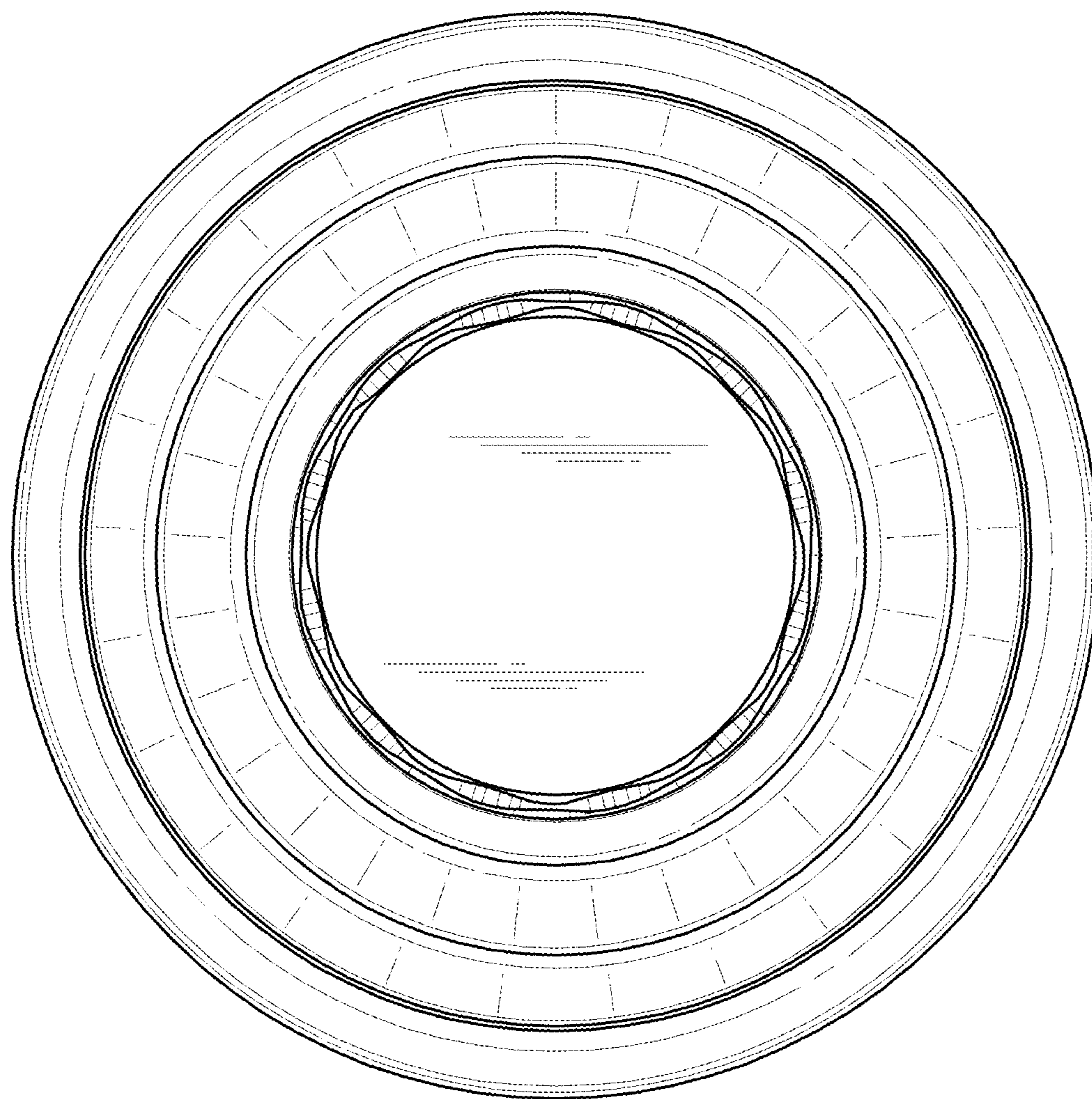
*FIG. 4*



*FIG. 5*



*FIG. 6*



*FIG. 7*