



US00D719409S

(12) **United States Design Patent**  
**Wampold**

(10) **Patent No.:** **US D719,409 S**

(45) **Date of Patent:** **\*\* Dec. 16, 2014**

(54) **WINE BOTTLE GLASS**

(71) Applicant: **Steve Wampold**, Marlborough, CT (US)

(72) Inventor: **Steve Wampold**, Marlborough, CT (US)

(73) Assignee: **Steve Wampold**, Marlborough, CT (US)

(\*\*) Term: **14 Years**

(21) Appl. No.: **29/465,335**

(22) Filed: **Aug. 27, 2013**

(51) **LOC (10) Cl.** ..... **07-01**

(52) **U.S. Cl.**

USPC ..... **D7/524**; D7/523

(58) **Field of Classification Search**

USPC ..... D7/509, 523, 532, 524, 533, 536, 525,  
D7/529, 624.2, 607, 566, 558, 537, 531,  
D7/691; 215/374, 377; 220/703, 704,  
220/592.16, 592.17; 229/128; D34/1

See application file for complete search history.

(56) **References Cited**

**U.S. PATENT DOCUMENTS**

2,143,027 A \* 1/1939 Perry ..... 215/374  
D161,115 S \* 12/1950 Meier ..... D7/524  
D168,409 S \* 12/1952 Kell ..... D7/524  
3,733,071 A \* 5/1973 Levin ..... 472/71

D230,003 S \* 1/1974 Levin ..... D7/527  
D263,083 S \* 2/1982 LeVan ..... D26/11  
D281,910 S \* 12/1985 Dinnebier et al. .... D26/11  
D283,287 S \* 4/1986 Bosteels ..... D7/507  
4,681,236 A \* 7/1987 Ilk ..... 215/374  
D302,225 S \* 7/1989 Shapard ..... D7/524  
D324,973 S \* 3/1992 Slagerman ..... D7/507  
D400,051 S \* 10/1998 Miyagi ..... D7/524  
D418,015 S \* 12/1999 Santini ..... D7/524  
D654,320 S \* 2/2012 McClellan et al. .... D7/525  
8,157,120 B2 \* 4/2012 Yang ..... 220/678  
D660,649 S \* 5/2012 McClellan et al. .... D7/525  
D698,200 S \* 1/2014 Lauwagie ..... D7/523  
D704,002 S \* 5/2014 Gooris ..... D7/524

\* cited by examiner

*Primary Examiner* — Marianne Pandozzi

(74) *Attorney, Agent, or Firm* — Bachman & LaPointe, P.C.

(57) **CLAIM**

The ornamental design for a wine bottle glass, as shown and described.

**DESCRIPTION**

FIG. 1 is a front perspective view of a wine bottle glass showing my new design thereof;

FIG. 2 is a side view of the wine bottle glass of FIG. 1; all side views being an identical mirror image thereof;

FIG. 3 is a top view of the wine bottle glass of FIG. 1; and,

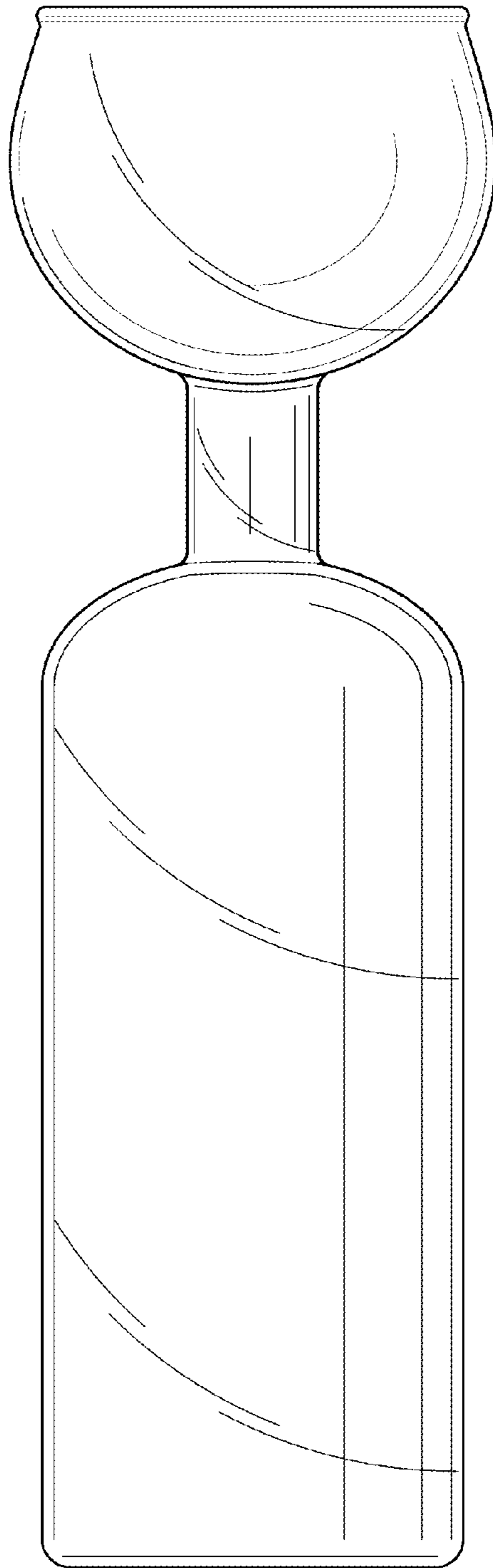
FIG. 4 is a bottom view of the wine bottle glass of FIG. 1.

**1 Claim, 3 Drawing Sheets**

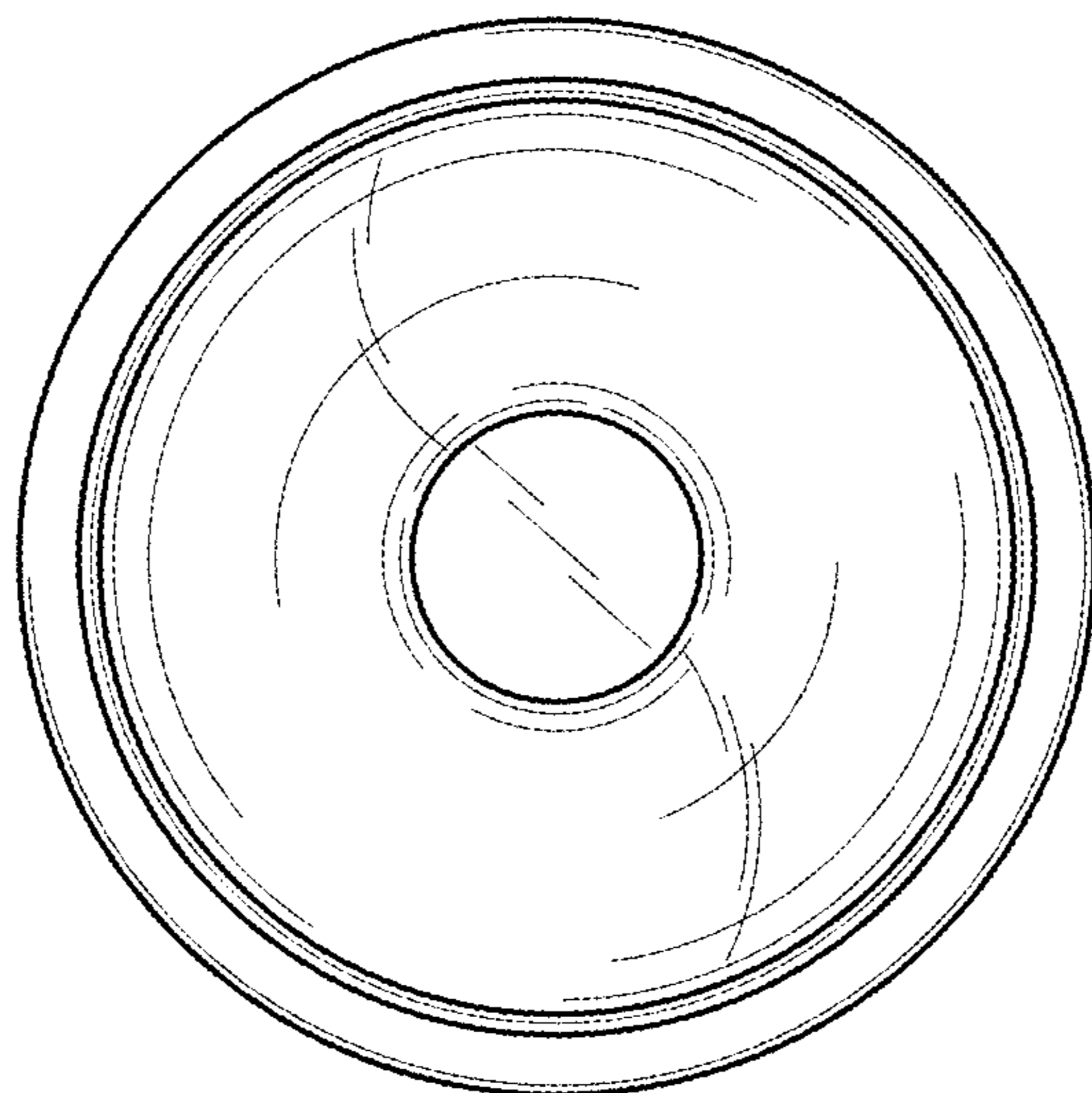




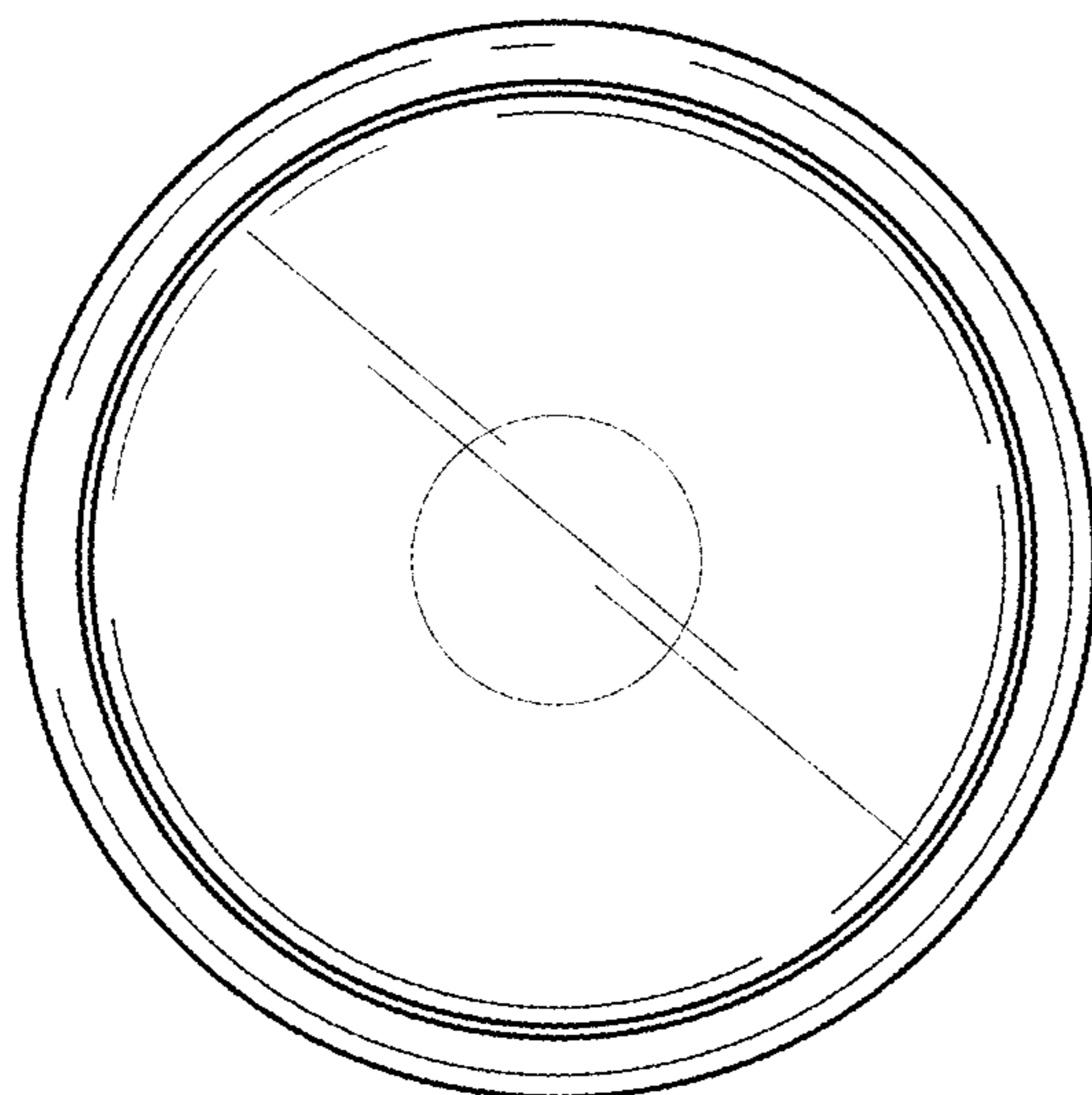
**FIG. 1**



**FIG. 2**



**FIG. 3**



**FIG. 4**