



US00D719404S

(12) **United States Design Patent**
Manly et al.

(10) **Patent No.:** **US D719,404 S**

(45) **Date of Patent:** **** Dec. 16, 2014**

(54) **HANDLE FOR A BEVERAGE MACHINE**

(71) Applicant: **Keurig, Incorporated**, Reading, MA (US)

(72) Inventors: **David Manly**, Duxbury, MA (US);
Karen Gallagher, Andover, MA (US);
James E. Shepard, Marblehead, MA (US);
Michelle V. Stacy, Ipswich, MA (US);
Ben C. Yoder, Reading, MA (US);
Scott M. Vogel, Salem, MA (US);
Allison Cummings, Charlestown, MA (US);
Stephanie Simione, Charlestown, MA (US);
Steffen F. Koury, Everett, MA (US);
Paul K. Metaxatos, Swampscott, MA (US);
James T. McGee, Winthrop, MA (US);
Da Deng, Somerville, MA (US)

(73) Assignee: **Keurig Green Mountain, Inc.**, Waterbury, VT (US)

(**) Term: **14 Years**

(21) Appl. No.: **29/466,350**

(22) Filed: **Sep. 6, 2013**

(51) **LOC (10) Cl.** **07-99**

(52) **U.S. Cl.**
USPC **D7/399**; D7/309; D7/311; D7/306;
D7/397

(58) **Field of Classification Search**
CPC A47J 31/44; A47J 31/42; G04B 3/10
USPC D7/306-311, 301, 300, 326, 386,
D7/397-399, 393; D24/197; 99/281, 305,
99/307; 141/247; 222/129.1, 129.3, 145.6;
59/36, 80

See application file for complete search history.

(56) **References Cited**

U.S. PATENT DOCUMENTS

D191,879	S	*	12/1961	Speckert et al.	D11/4
4,265,315	A	*	5/1981	Thomas	168/29
D438,051	S	*	2/2001	Anselmi et al.	D7/377
D442,674	S	*	5/2001	Green et al.	D23/252
D445,008	S	*	7/2001	Andina et al.	D8/42

(Continued)

FOREIGN PATENT DOCUMENTS

JP	D1470496	5/2013
KR	300655357	8/2012
TW	D117641	6/2007

OTHER PUBLICATIONS

U.S. Appl. No. 29/466,346, filed Sep. 6, 2013, Manly et al.

(Continued)

Primary Examiner — Marianne Pandozzi

Assistant Examiner — Jae Liang

(74) *Attorney, Agent, or Firm* — Wolf, Greenfield & Sacks, P.C.

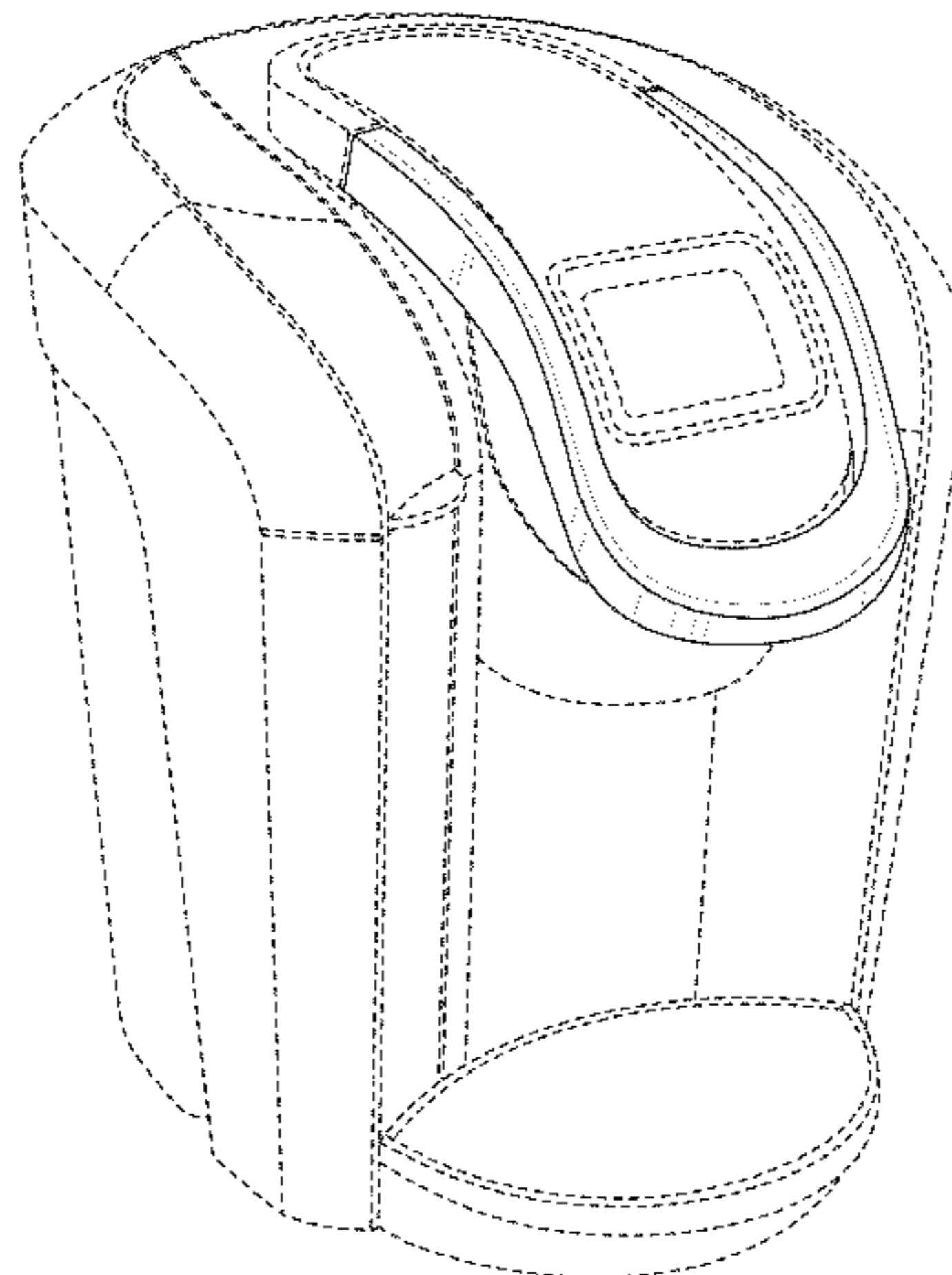
(57) **CLAIM**

The ornamental design for a handle for a beverage machine, as shown and described.

DESCRIPTION

FIG. 1 is a front, left perspective view of the handle for a beverage machine;
FIG. 2 is a front, right perspective view thereof;
FIG. 3 is a front view thereof;
FIG. 4 is a top view thereof;
FIG. 5 is a left side view thereof;
FIG. 6 is a right side view thereof;
FIG. 7 is a rear, right perspective view thereof; and,
FIG. 8 is a rear, left perspective view thereof.
Features shown in dashed line form no part of the claimed invention.

1 Claim, 8 Drawing Sheets



(56)

References Cited

U.S. PATENT DOCUMENTS

D446,291 S * 8/2001 Birdsell et al. D23/332
 D448,971 S * 10/2001 Hughes D7/392.1
 D453,665 S * 2/2002 Loiacono D7/619.1
 D472,839 S * 4/2003 Charriol D11/3
 D482,982 S * 12/2003 McAnally D11/4
 D513,572 S 1/2006 Schaffeld et al.
 D519,343 S * 4/2006 Mazzei D8/40
 D524,919 S * 7/2006 Schaffeld et al. D23/252
 D544,299 S 6/2007 Schaffeld et al.
 D547,607 S * 7/2007 Forsman D7/396.2
 D552,417 S * 10/2007 Ben-Shlomo et al. D7/397
 D566,810 S * 4/2008 Rivard D23/236
 D569,957 S * 5/2008 Shapiro D23/317
 D586,184 S * 2/2009 Miller et al. D7/511
 D590,699 S * 4/2009 Szymanski et al. D8/373
 D636,835 S * 4/2011 Fitzpatrick et al. D22/108
 D640,093 S * 6/2011 Picozza et al. D7/413
 D640,502 S * 6/2011 Picozza et al. D7/412
 D649,390 S * 11/2011 Santoiemmo D7/306
 D649,830 S * 12/2011 Harris et al. D7/378
 D663,158 S * 7/2012 Jacquet et al. D7/393
 D674,232 S * 1/2013 Lavy et al. D7/309
 D674,233 S * 1/2013 Lavy et al. D7/309

D675,059 S * 1/2013 Carreno D7/392.1
 D682,736 S * 5/2013 Ng D11/234
 D683,174 S * 5/2013 Regamey D7/306
 D683,262 S * 5/2013 Fitzpatrick et al. D11/218
 D685,486 S * 7/2013 Lhomme et al. D24/197
 D685,487 S * 7/2013 Lhomme et al. D24/197
 D685,488 S * 7/2013 Lhomme et al. D24/197
 D686,870 S * 7/2013 Young D7/392.1
 D695,069 S * 12/2013 Lane D7/510
 D700,014 S * 2/2014 Zeanah D7/510
 D702,079 S * 4/2014 Hung D7/392.1
 D702,984 S * 4/2014 Hanneson et al. D7/306
 D707,124 S * 6/2014 Blain et al. D9/443
 RE45,055 E * 8/2014 Roth et al. D7/510
 D710,251 S * 8/2014 Mariner et al. D11/234
 2008/0134902 A1 * 6/2008 Zimmerman et al. 99/302 R
 2010/0024658 A1 * 2/2010 Jacobs et al. 99/302 R

OTHER PUBLICATIONS

U.S. Appl. No. 29/466,349, filed Sep. 6, 2013, Manly et al.
 U.S. Appl. No. 29/466,351, filed Sep. 6, 2013, Manly et al.
 U.S. Appl. No. 29/473,453, filed Nov. 21, 2013, Manly et al.
 U.S. Appl. No. 29/473,447, filed Nov. 21, 2013, Manly et al.

* cited by examiner

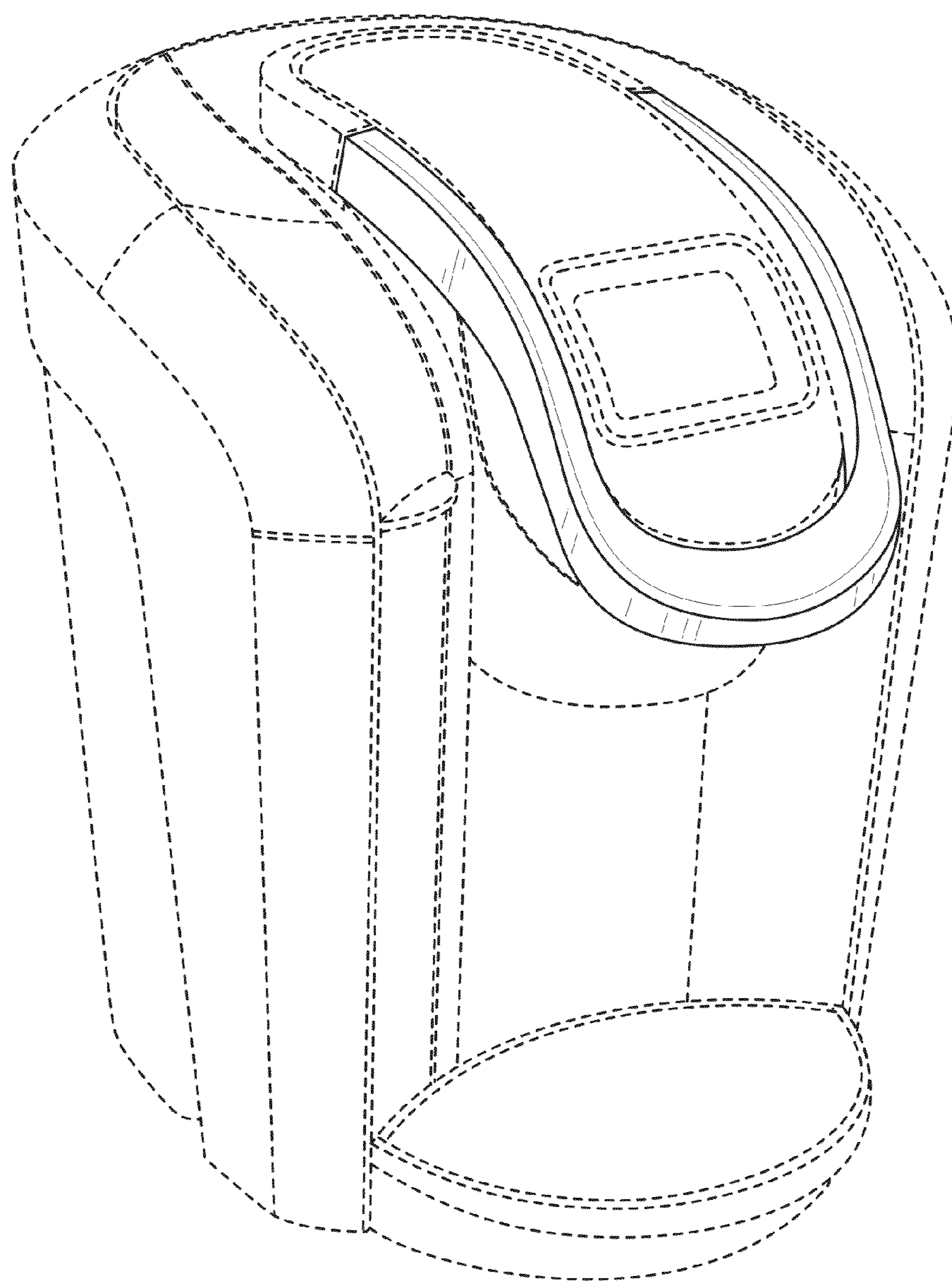


FIG. 1

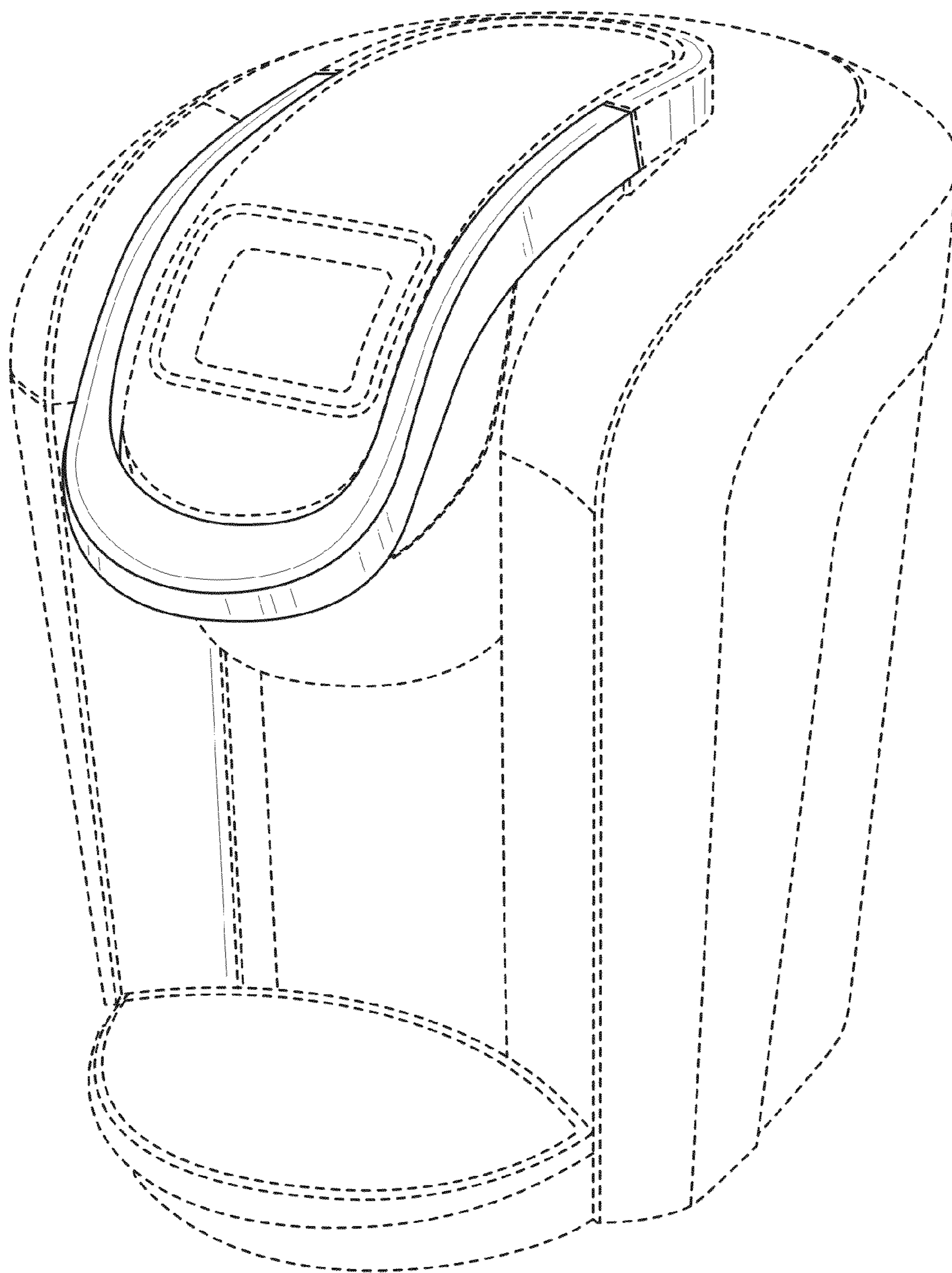


FIG. 2

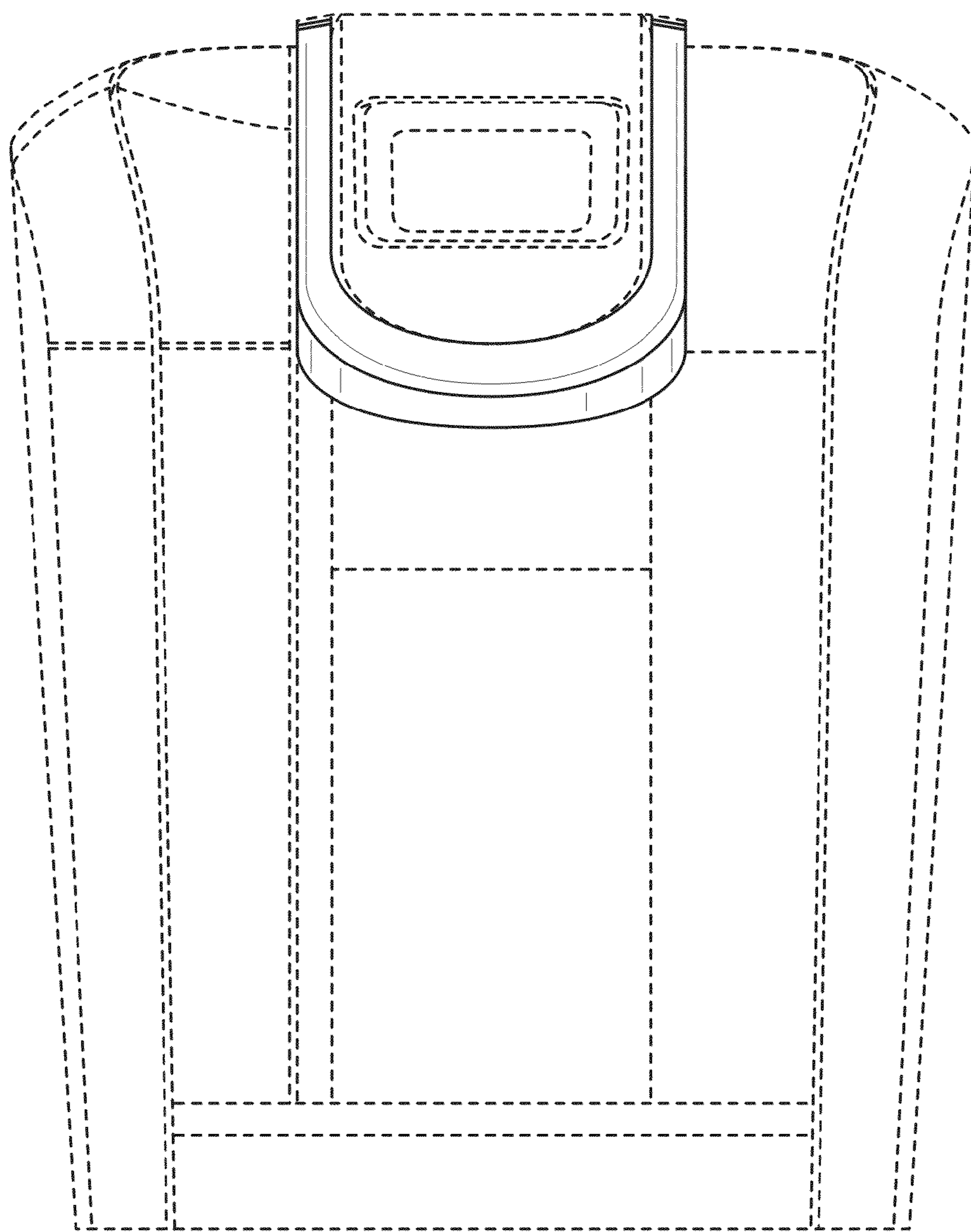


FIG. 3

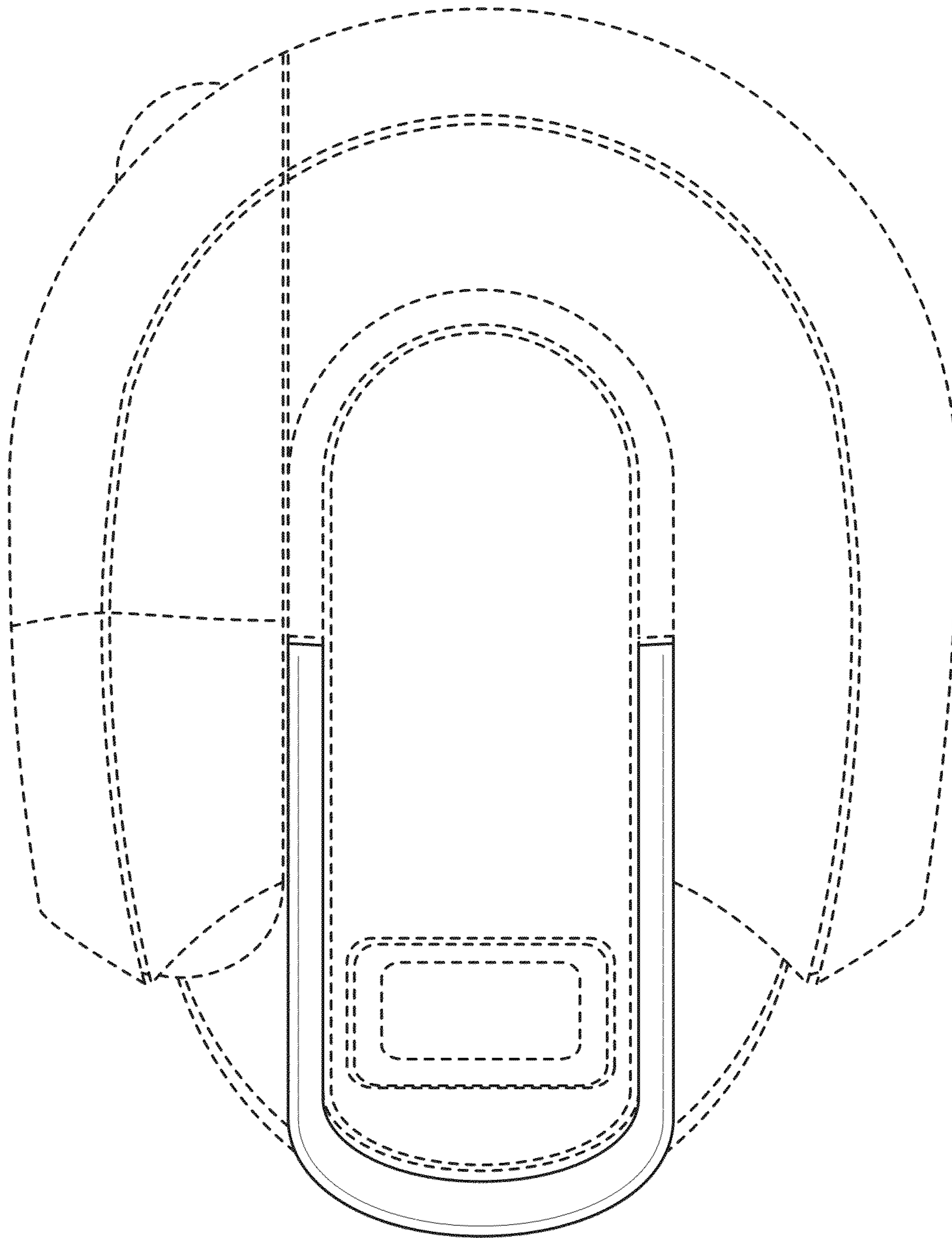


FIG. 4

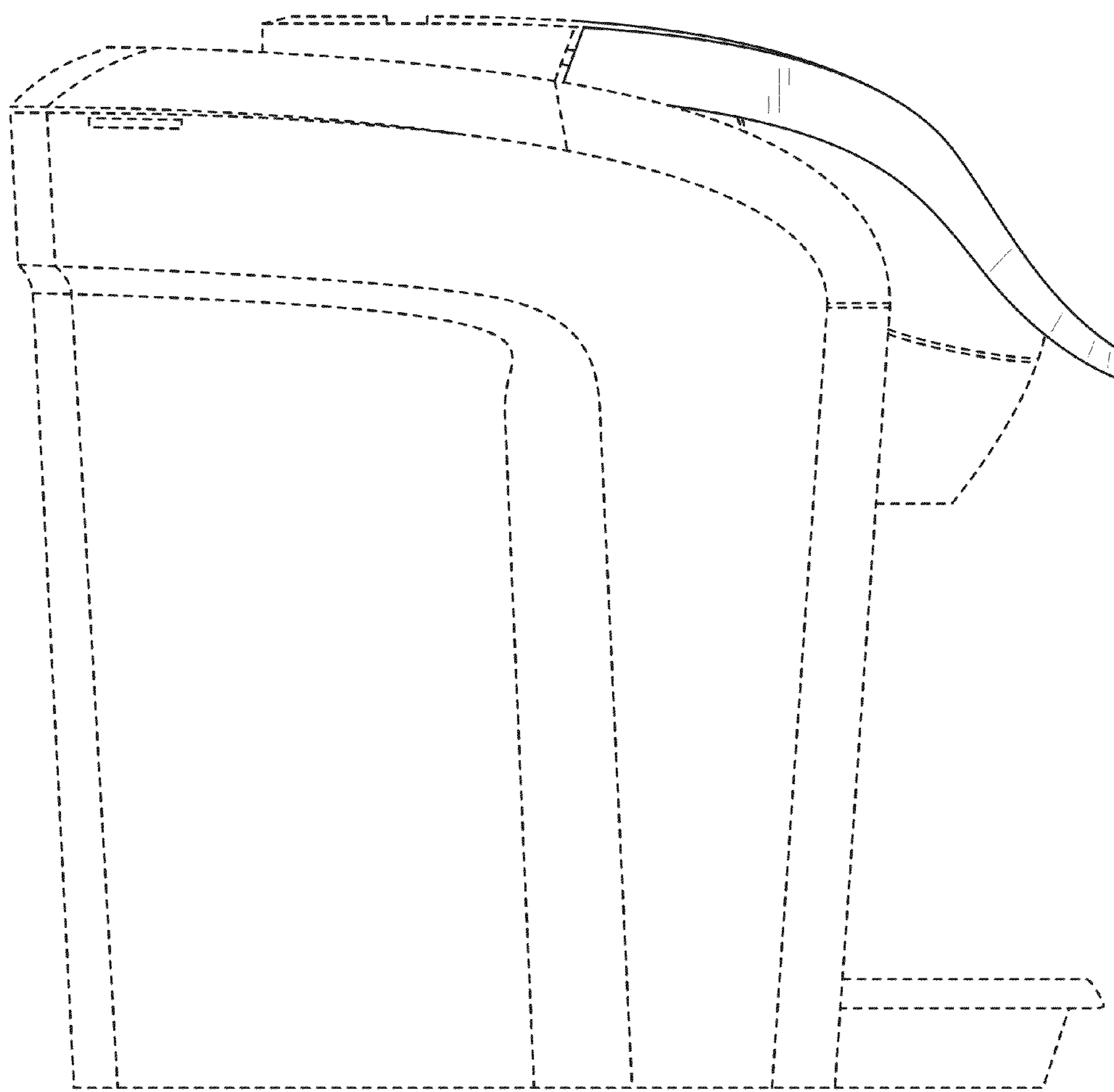


FIG. 5

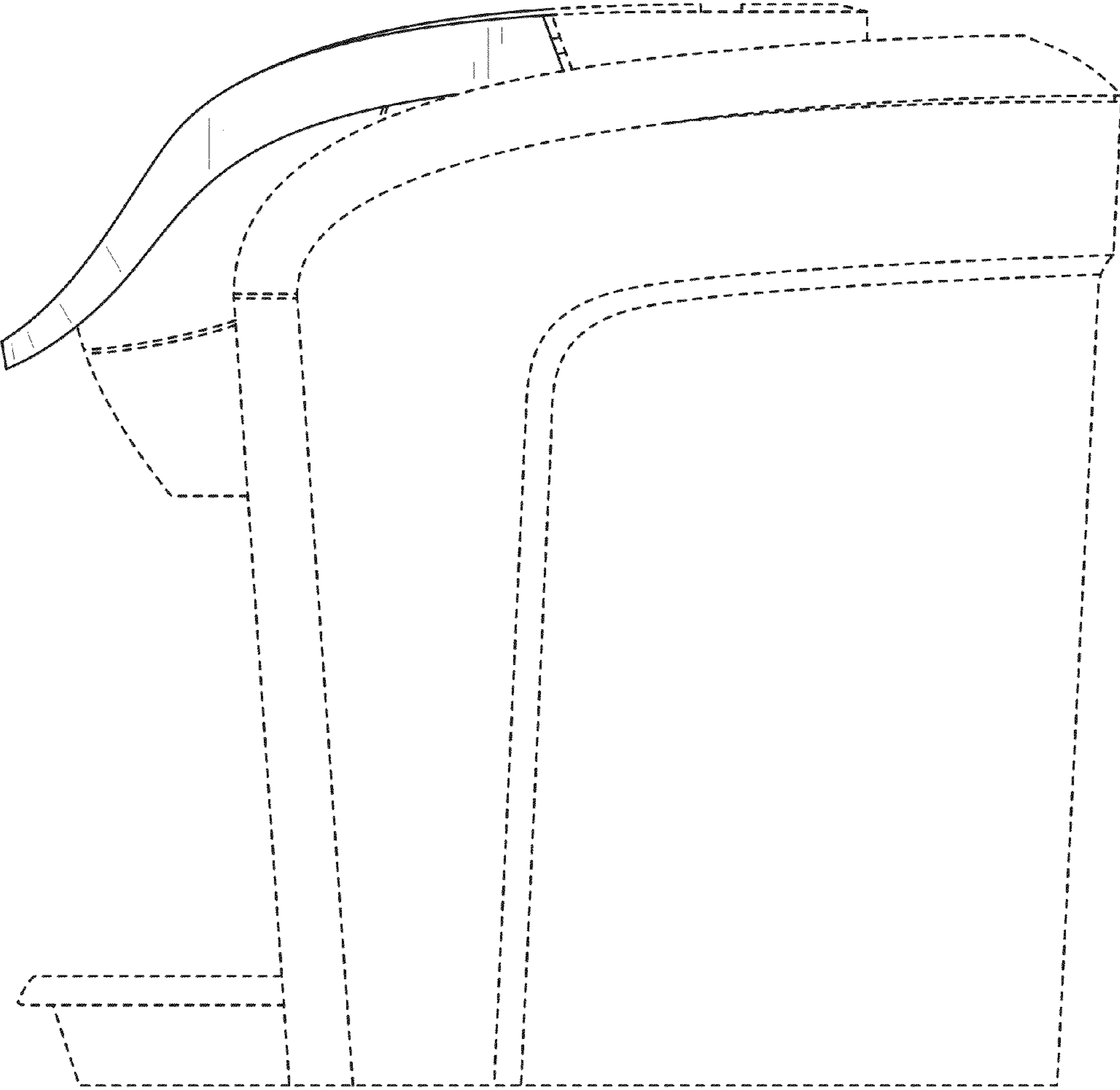


FIG. 6

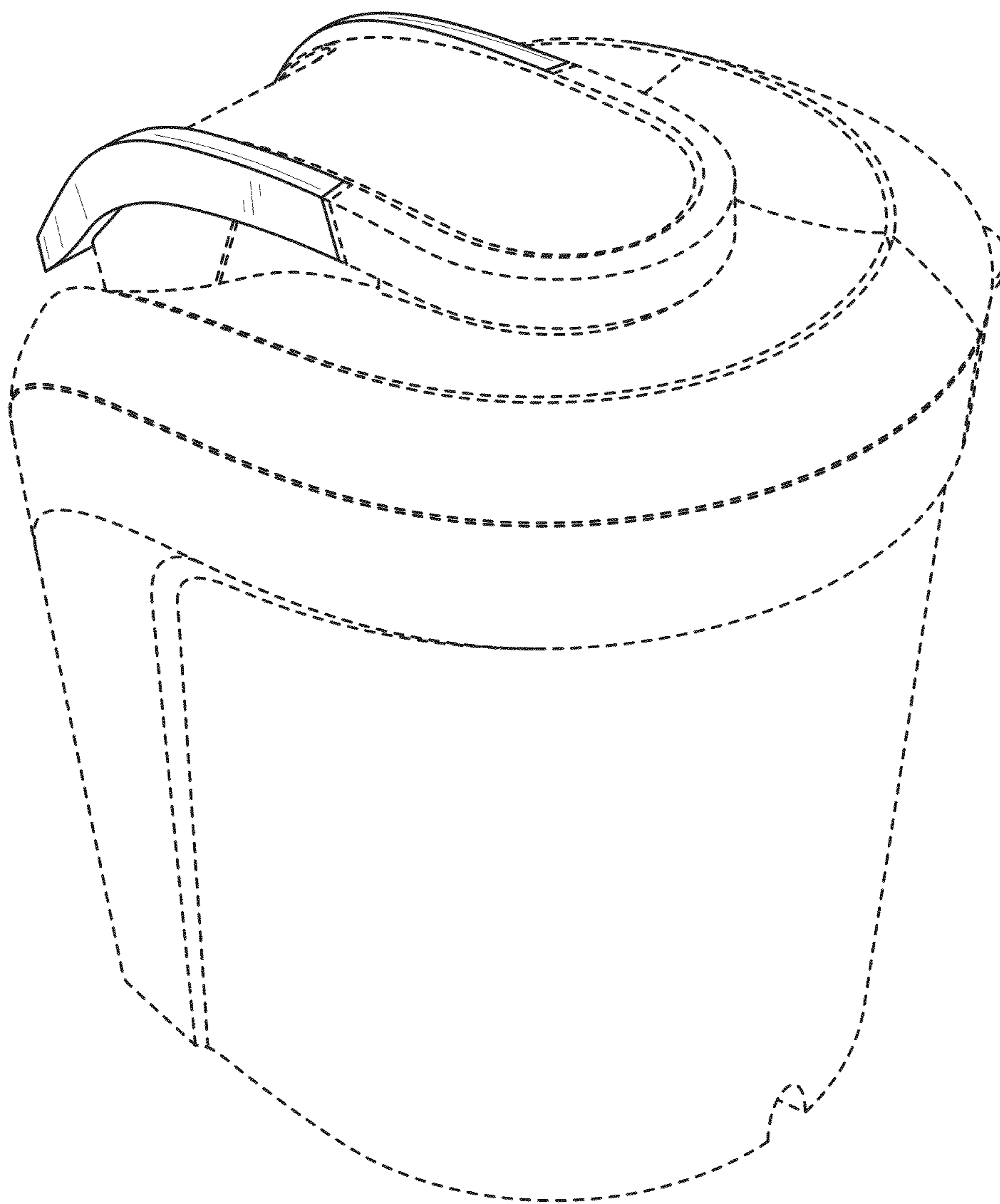


FIG. 7

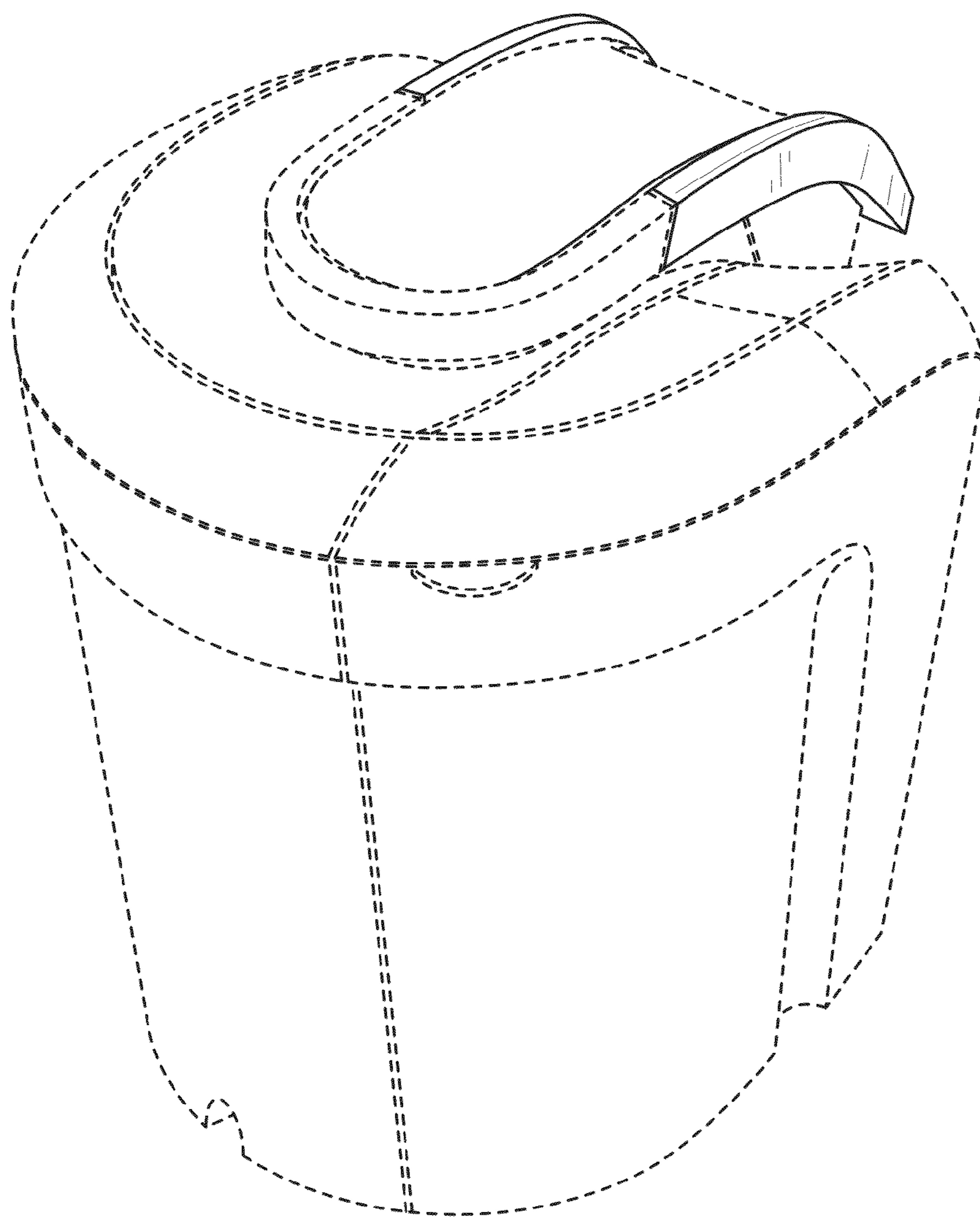


FIG. 8