



US00D719403S

(12) **United States Design Patent**
Halioua

(10) **Patent No.:** **US D719,403 S**

(45) **Date of Patent:** **** Dec. 16, 2014**

- (54) **SPOUT FOR DISPENSING BEVERAGES**
- (71) Applicant: **Mike Halioua**, Jersey City, NJ (US)
- (72) Inventor: **Mike Halioua**, Jersey City, NJ (US)
- (73) Assignee: **Home Essentials & Beyond, Inc.**,
Jersey City, NJ (US)
- (**) Term: **14 Years**
- (21) Appl. No.: **29/471,557**
- (22) Filed: **Nov. 1, 2013**
- (51) **LOC (10) Cl.** **07-99**
- (52) **U.S. Cl.**
USPC **D7/398; D7/397**
- (58) **Field of Classification Search**
USPC D7/213, 300, 301, 304, 306, 307, 308,
D7/309, 310, 311, 314, 387, 388, 389, 390,
D7/397, 398, 399, 400; D23/213, 233,
D23/250, 252, 259; 99/275, 280, 323.3;
222/129.1, 144.5; D8/354; 141/362
See application file for complete search history.

5,303,849	A	*	4/1994	Credle, Jr.	222/129.1
5,449,144	A		9/1995	Kowalics		
D378,400	S	*	3/1997	Kowalics	D23/238
D381,857	S	*	8/1997	Swaim	D7/307
D397,769	S	*	9/1998	Lobermeier	D23/238
D482,235	S	*	11/2003	Yui	D7/398
D493,331	S	*	7/2004	Munoz	D7/398
D508,109	S	*	8/2005	Roethel	D23/252
D575,104	S	*	8/2008	Sommerfield	D7/398
D582,209	S	*	12/2008	Thomas	D7/398
D587,964	S	*	3/2009	Thomas	D7/398
D602,301	S	*	10/2009	Romandy	D7/306
D632,919	S	*	2/2011	Sang-Ho	D7/306
D637,867	S		5/2011	Wang		
D647,355	S	*	10/2011	Ponzio et al.	D7/307
D652,685	S		1/2012	Carter		
D660,080	S	*	5/2012	Littlejohn	D7/398
8,298,492	B2	*	10/2012	Shiotani et al.	422/186.12
D677,100	S	*	3/2013	Amundson	D7/306

* cited by examiner

Primary Examiner — Marianne Pandozzi

Assistant Examiner — Jae Liang

(74) *Attorney, Agent, or Firm* — Cozen O'Connor

(57) **CLAIM**

The ornamental design for a spout for dispensing beverages, as shown and described.

(56) **References Cited**

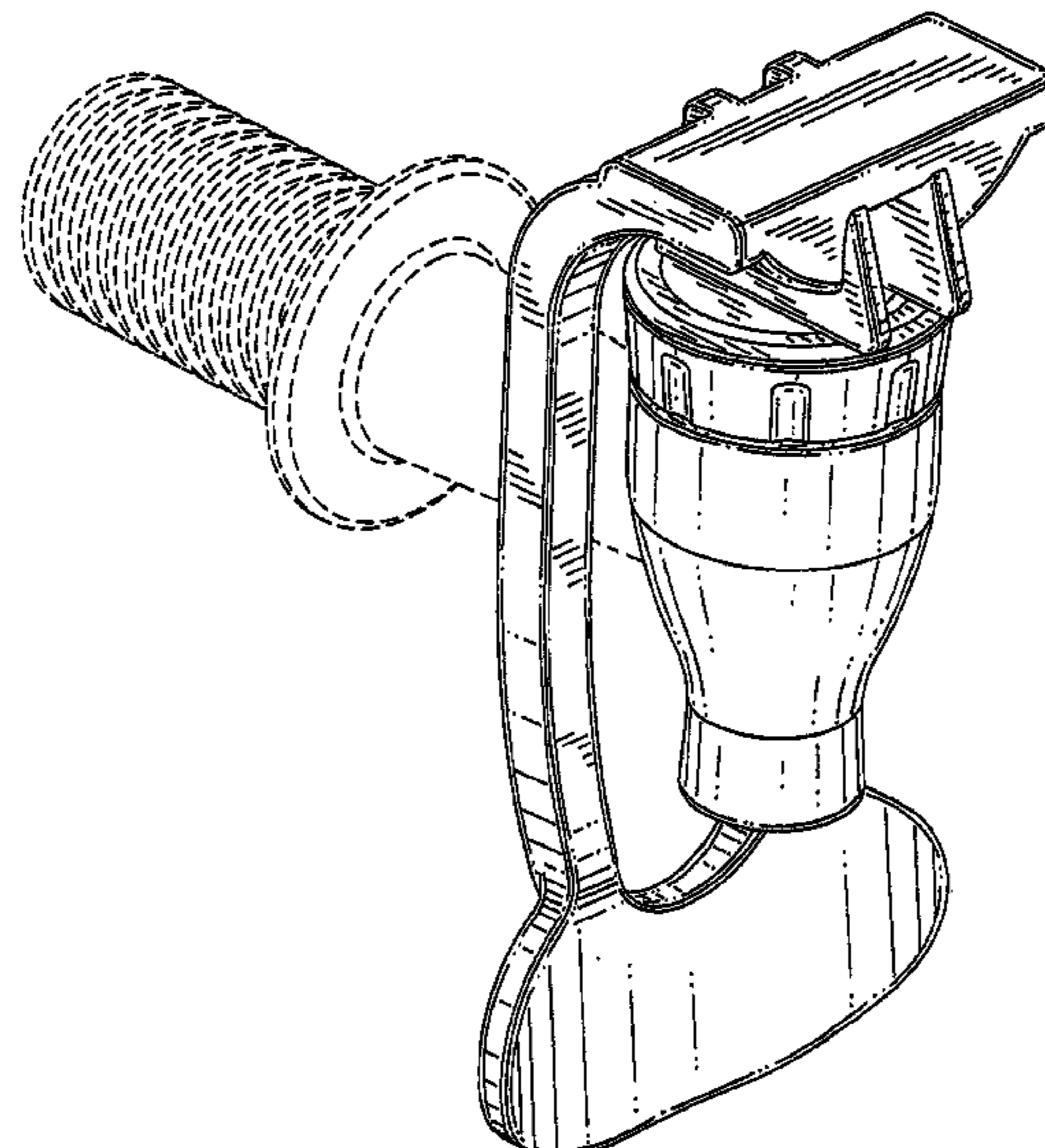
U.S. PATENT DOCUMENTS

D187,905	S	*	5/1960	Seltsam	D7/398
D189,335	S		11/1960	Whetstone		
D189,904	S	*	3/1961	Seltsam	D7/398
3,104,089	A		9/1963	Seltsam		
D200,566	S	*	3/1965	Mango	D7/398
D202,689	S	*	11/1965	Relchow	D7/398
D202,690	S	*	11/1965	Relchow	D7/398
3,238,963	A	*	3/1966	Witzel et al.	137/170.1
D236,658	S	*	9/1975	Mitchell	D7/398
D241,841	S		10/1976	Frahm et al.		
D271,273	S	*	11/1983	Austin et al.	D7/398
D271,368	S	*	11/1983	Belland et al.	D7/398
D272,976	S	*	3/1984	LaLumiere	D7/311

DESCRIPTION

FIG. 1 is a perspective view of a spout for dispensing beverages in accordance with the present invention;
 FIG. 2 is a front view thereof;
 FIG. 3 is a top view thereof;
 FIG. 4 is a side view thereof;
 FIG. 5 is a rear view thereof; and,
 FIG. 6 is a bottom view thereof.
 The features shown in dashed lines represent environmental structure and do not make up a part of the claimed design.

1 Claim, 6 Drawing Sheets



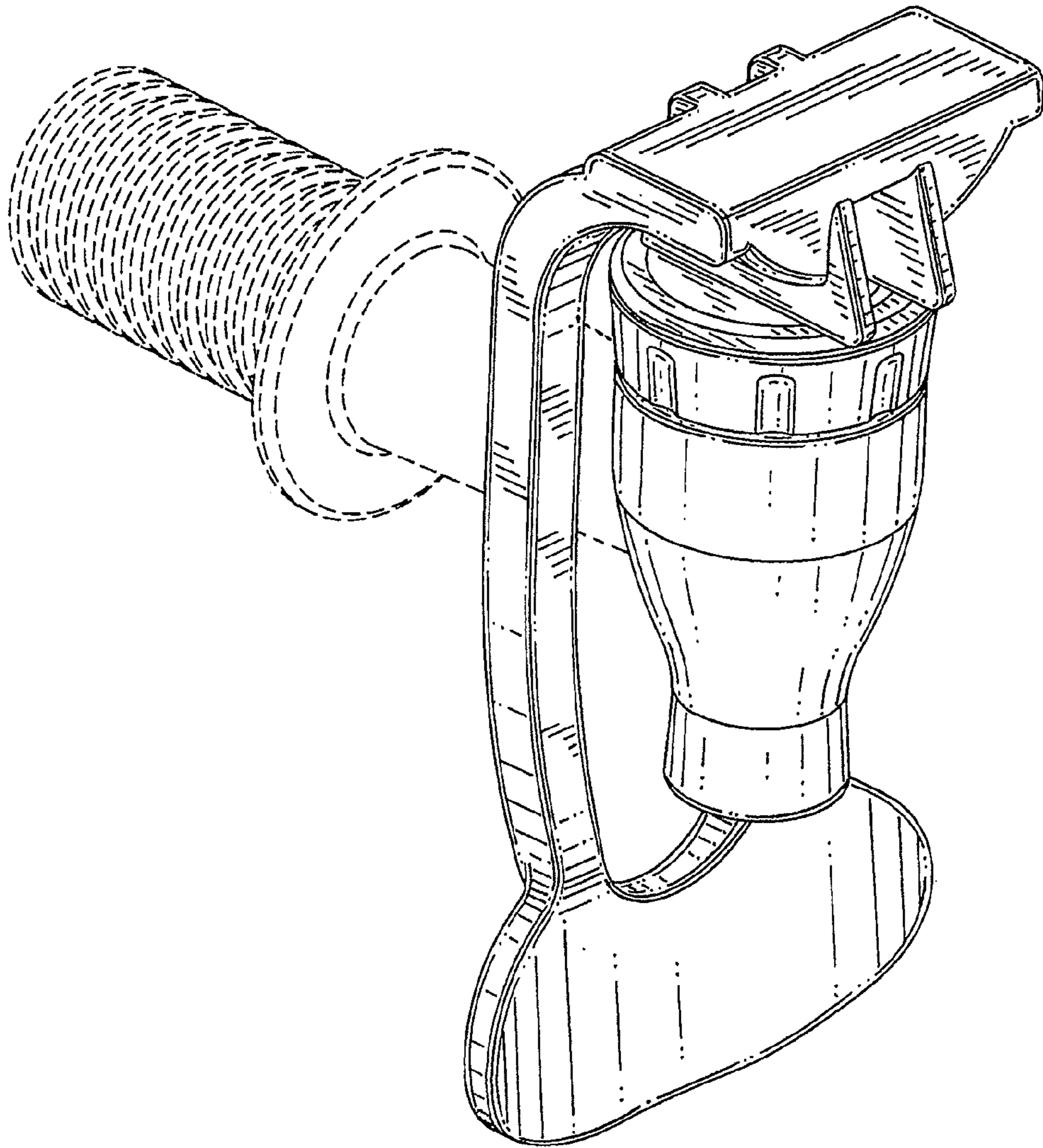


FIG. 1

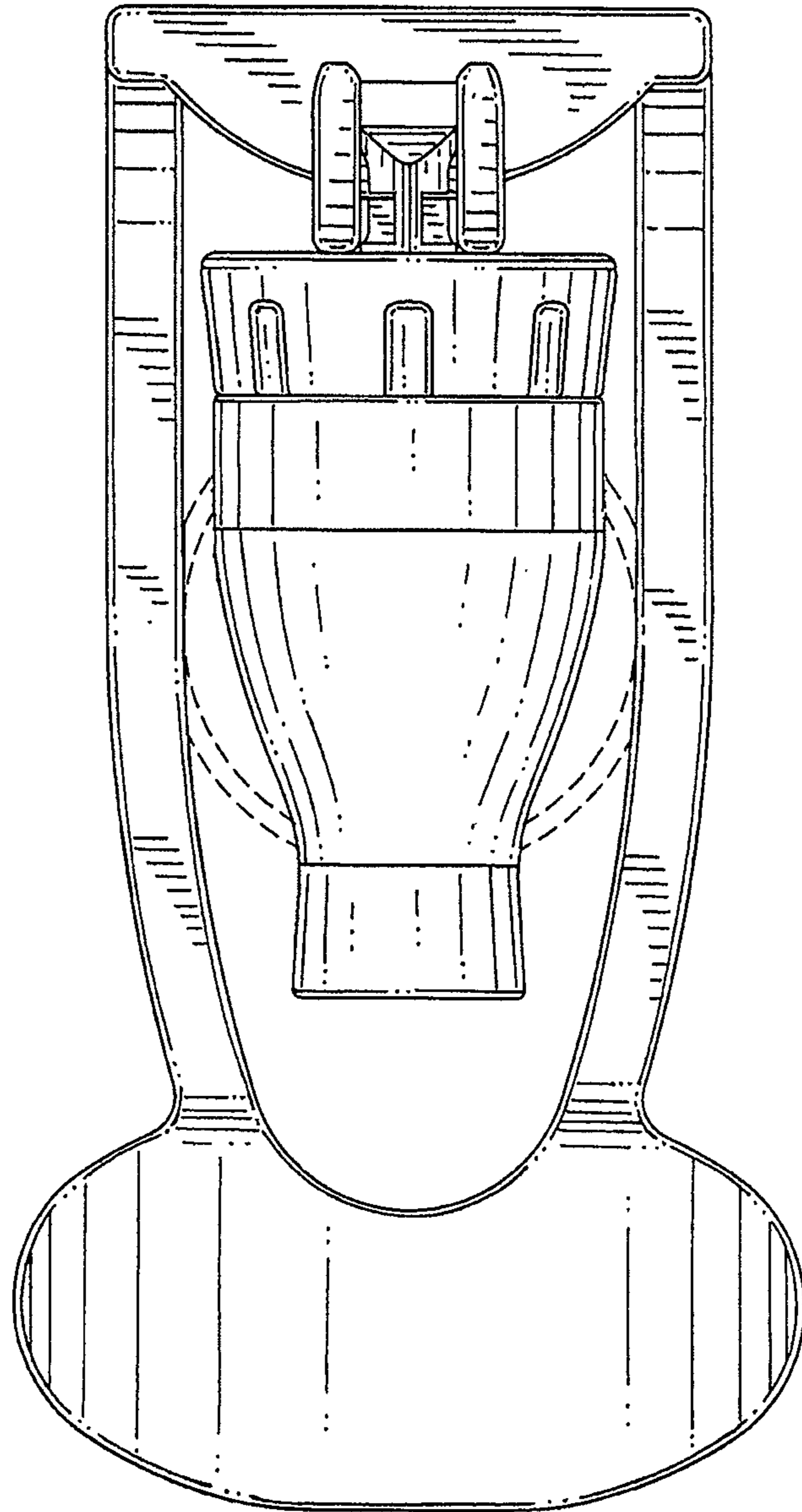


FIG.2

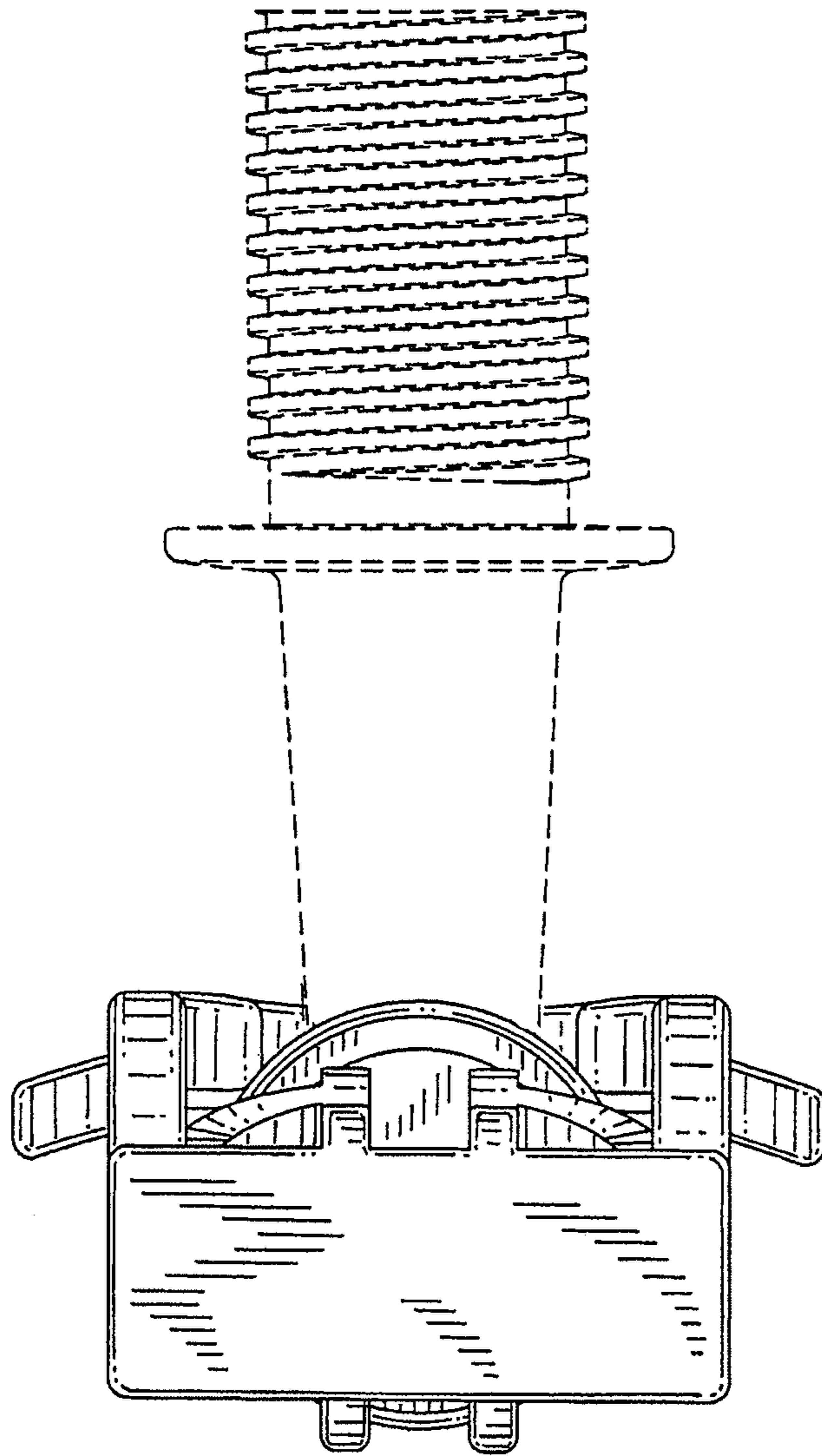


FIG.3

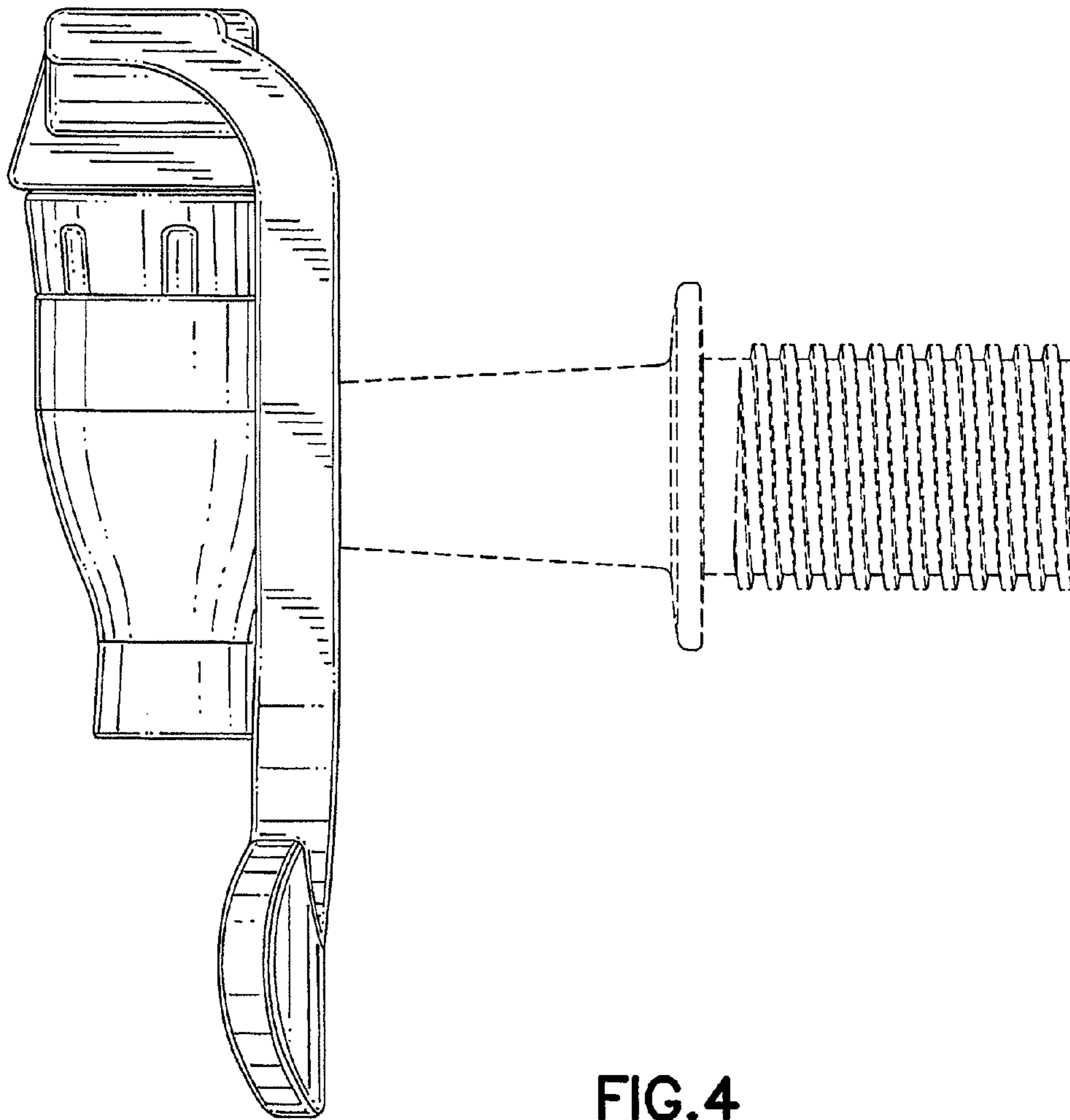


FIG. 4

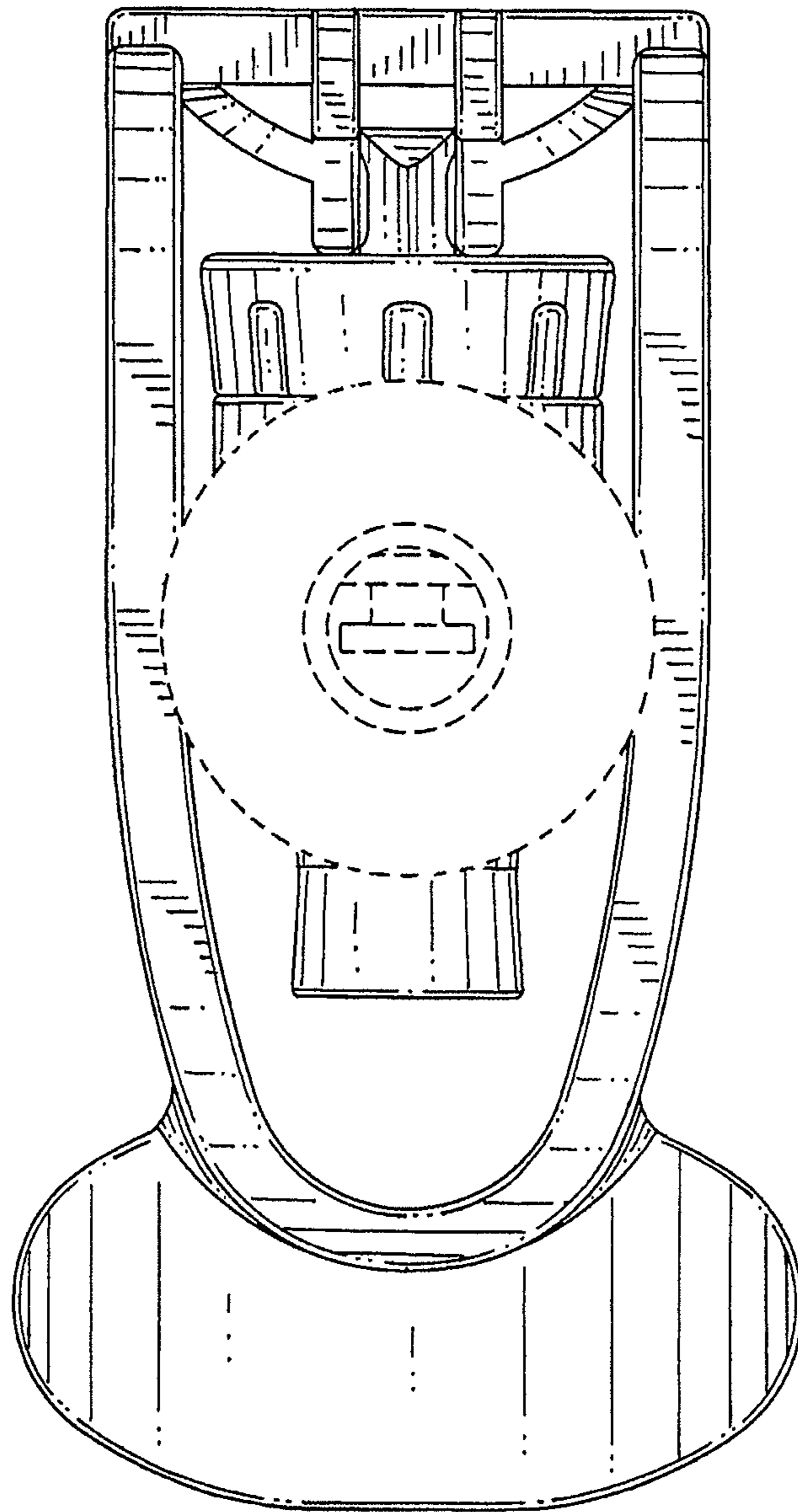


FIG.5

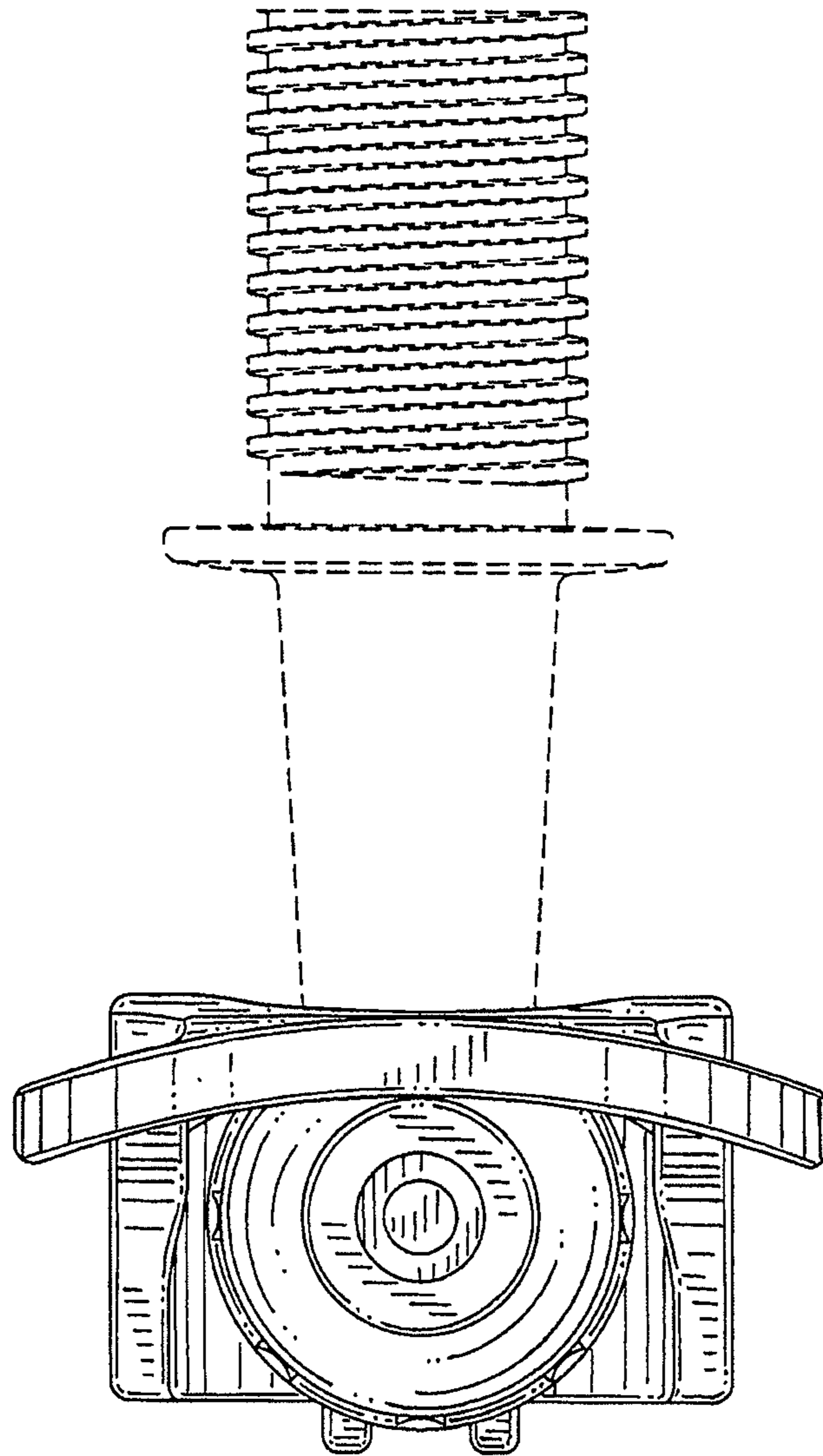


FIG.6