



US00D719402S

(12) **United States Design Patent**
Khan

(10) **Patent No.:** **US D719,402 S**

(45) **Date of Patent:** **** Dec. 16, 2014**

(54) **WINE CHILLER AND AERATOR**

(71) Applicant: **Farhan Khan**, Sanford, FL (US)

(72) Inventor: **Farhan Khan**, Sanford, FL (US)

(**) Term: **14 Years**

(21) Appl. No.: **29/459,948**

(22) Filed: **Jul. 5, 2013**

(51) **LOC (10) Cl.** **07-99**

(52) **U.S. Cl.**
USPC **D7/398**; D7/397; D7/399; D9/440

(58) **Field of Classification Search**
USPC D7/700, 397, 399, 398, 400; 426/77;
99/323; D9/440; 261/DIG. 75; 222/190
See application file for complete search history.

(56) **References Cited**

U.S. PATENT DOCUMENTS

D263,715	S *	4/1982	Walter	D15/199
4,347,878	A *	9/1982	Schofield	141/300
6,595,109	B2 *	7/2003	Liebmann, Jr.	99/323
D614,443	S *	4/2010	Federighi	D7/398
D663,580	S *	7/2012	Vagnby	D7/400
8,251,352	B2 *	8/2012	Chiorazzi et al.	261/76
D677,524	S *	3/2013	Agarwal et al.	D7/398

D677,525	S *	3/2013	Luebke	D7/398
D687,677	S *	8/2013	Sturgess	D7/510
8,517,350	B2 *	8/2013	Tsai et al.	261/76
D696,939	S *	1/2014	Federighi	D9/440

* cited by examiner

Primary Examiner — Marianne Pandozzi

(74) *Attorney, Agent, or Firm* — Allen, Dyer, Doppelt, Milbrath & Gilchrist

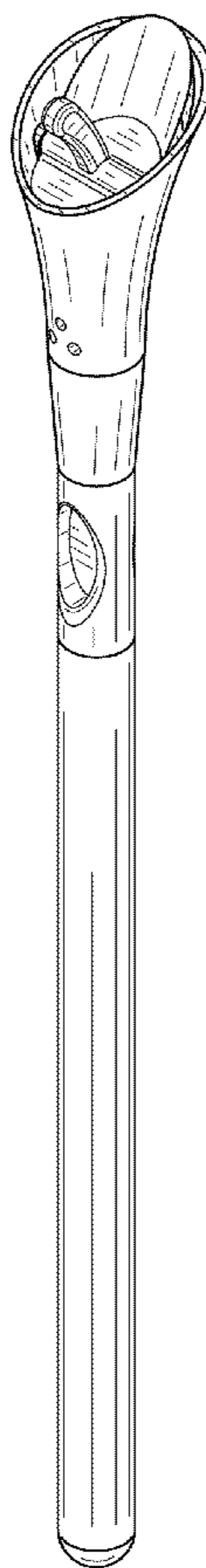
(57) **CLAIM**

The ornamental design for a wine chiller and aerator, as shown and described.

DESCRIPTION

FIG. 1 is a front perspective view of the wine chiller and aerator;
 FIG. 2 is a rear perspective view of the wine chiller and aerator;
 FIG. 3 is a front view of the wine chiller and aerator;
 FIG. 4 is a rear view of the wine chiller and aerator;
 FIG. 5 is a right side elevational view of the wine chiller and aerator, the left side elevational view being a mirror image thereof;
 FIG. 6 is a top view of the wine chiller and aerator; and,
 FIG. 7 is a bottom view of the wine chiller and aerator.

1 Claim, 3 Drawing Sheets



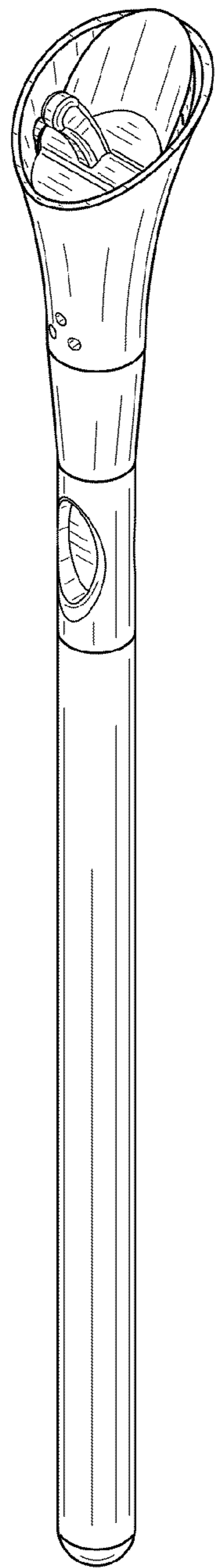


FIG. 1

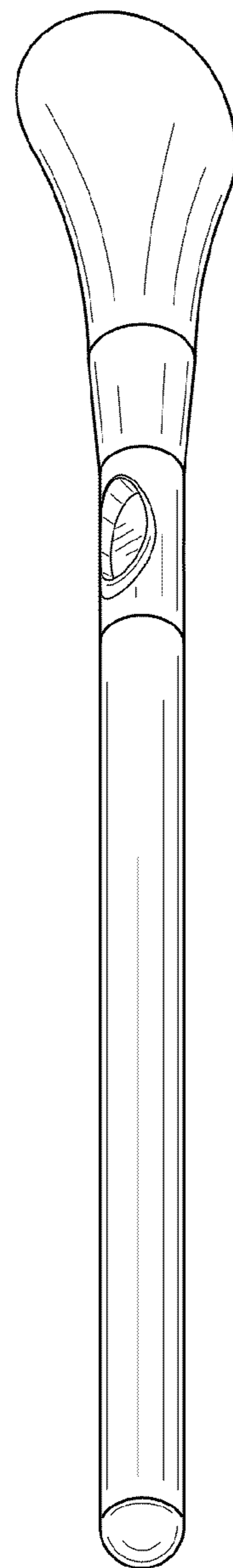


FIG. 2

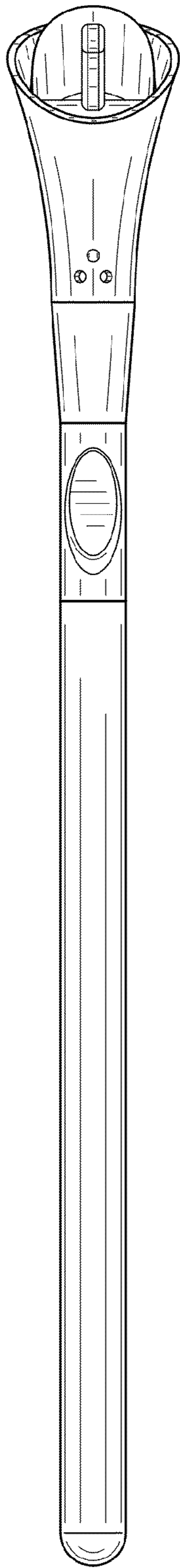


FIG. 3

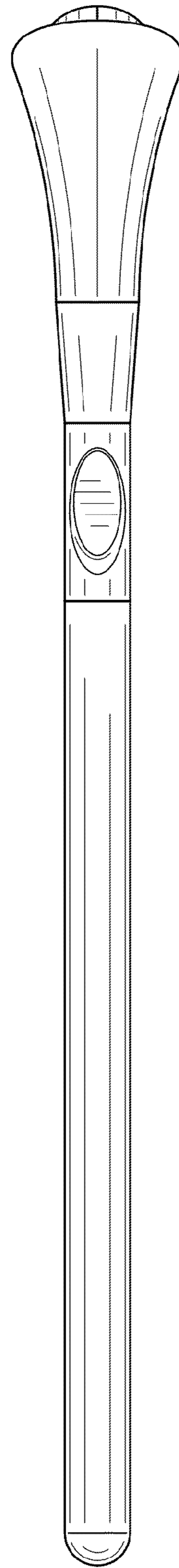


FIG. 4

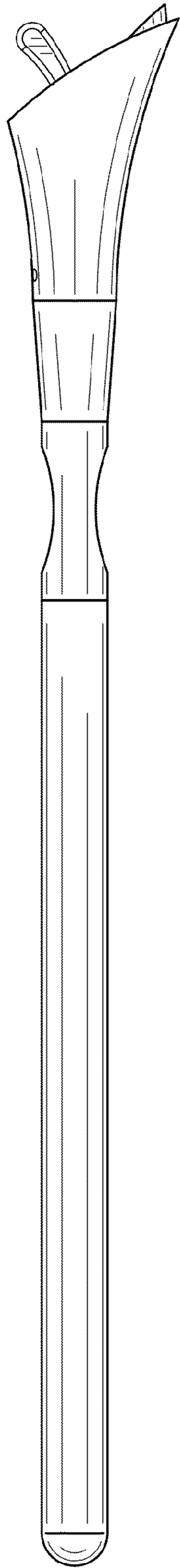


FIG. 5

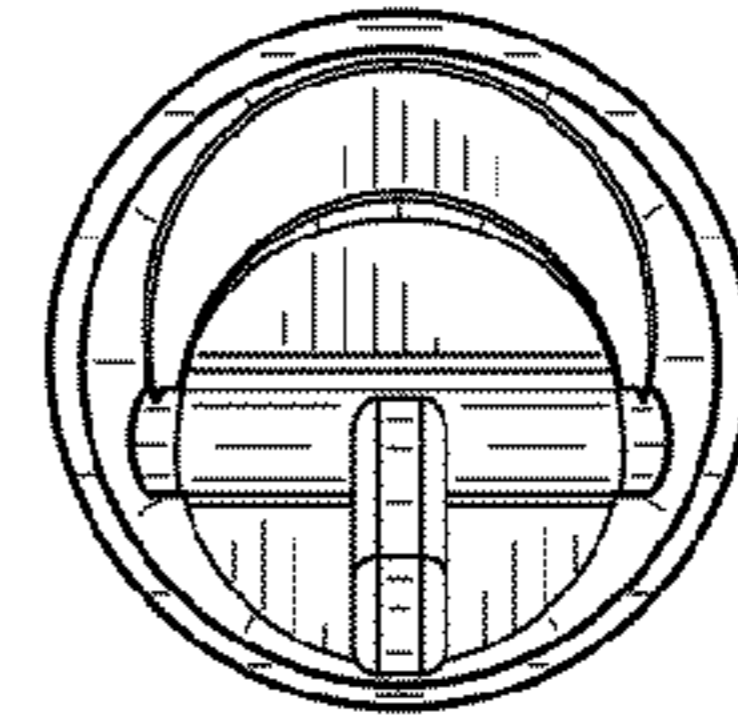


FIG. 6

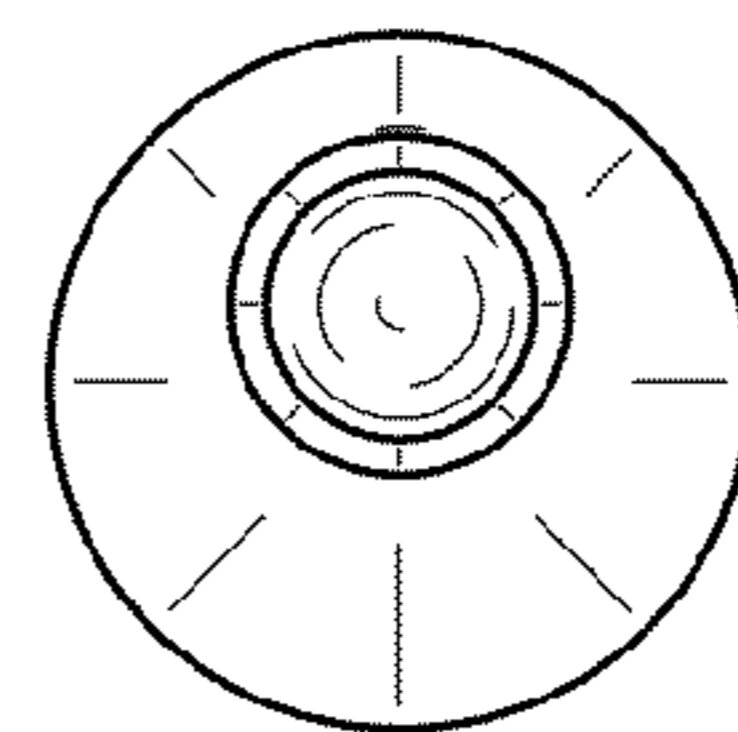


FIG. 7