



US00D719401S

(12) **United States Design Patent**
Thonis et al.

(10) **Patent No.:** **US D719,401 S**

(45) **Date of Patent:** **** Dec. 16, 2014**

- (54) **KETTLE**
- (71) Applicant: **Lenox Corporation**, Bristol, PA (US)
- (72) Inventors: **Paul Thonis**, New Hope, PA (US); **Scott B Doty**, Birmingham, AL (US)
- (73) Assignee: **Lenox Corporation**, Bristol, PA (US)
- (**) Term: **14 Years**
- (21) Appl. No.: **29/453,784**
- (22) Filed: **May 2, 2013**
- (51) **LOC (10) Cl.** **07-02**
- (52) **U.S. Cl.**
USPC **D7/394; D7/393; D7/399; D7/319**
- (58) **Field of Classification Search**
CPC **A47G 19/14**
USPC **D7/312, 300, 316-319, 393, 394, 397, D7/399; 222/465.1, 189.06, 571; 215/398, 215/235, 12.1; 220/713**
See application file for complete search history.

D333,942 S *	3/1993	So	D7/394
D373,500 S *	9/1996	Lee	D7/320
D454,026 S *	3/2002	Bodum	D7/321
D575,094 S *	8/2008	Lebowitz	D7/321
D584,561 S *	1/2009	Ljunggren et al.	D7/322
D602,305 S *	10/2009	Papiernik	D7/321
D698,195 S *	1/2014	Lin	D7/322
D709,729 S *	7/2014	Delassus	D7/394

OTHER PUBLICATIONS

Paul Thonis, "Kobestyle Timeline," Lenox Corporation, internal memo (pertinent portions), 2012, 4 pages.

* cited by examiner

Primary Examiner — Marianne Pandozzi

(57) **CLAIM**

We claim the ornamental design for a kettle, as shown and described.

DESCRIPTION

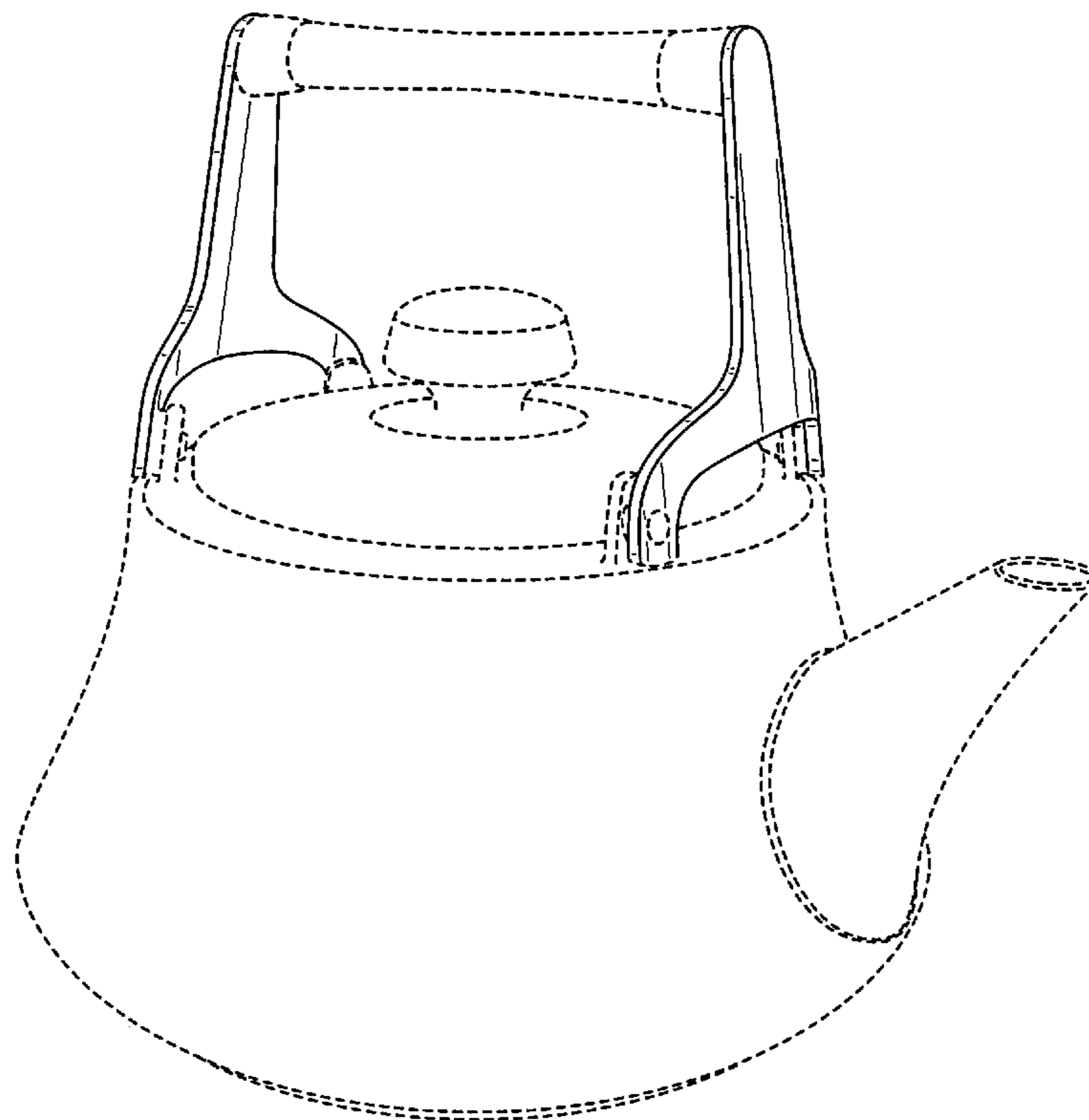
FIG. 1 is a perspective view of a kettle showing our new design;
 FIG. 2 is a front elevational view thereof;
 FIG. 3 is a rear elevational view thereof;
 FIG. 4 is a left side elevational view thereof;
 FIG. 5 is a right side elevational view thereof;
 FIG. 6 is a top elevational view thereof; and,
 FIG. 7 is a bottom elevational view thereof.
 The broken lines in the drawings are included for the purpose of illustration and form no part of the claimed design.

1 Claim, 7 Drawing Sheets

(56) **References Cited**

U.S. PATENT DOCUMENTS

D99,425 S *	4/1936	Zettler	D7/321
D251,173 S *	2/1979	Umanoff	D7/321
D279,756 S *	7/1985	Lax	D7/320
D279,757 S *	7/1985	Lax	D7/320
D316,029 S *	4/1991	Taramaschi	D8/354



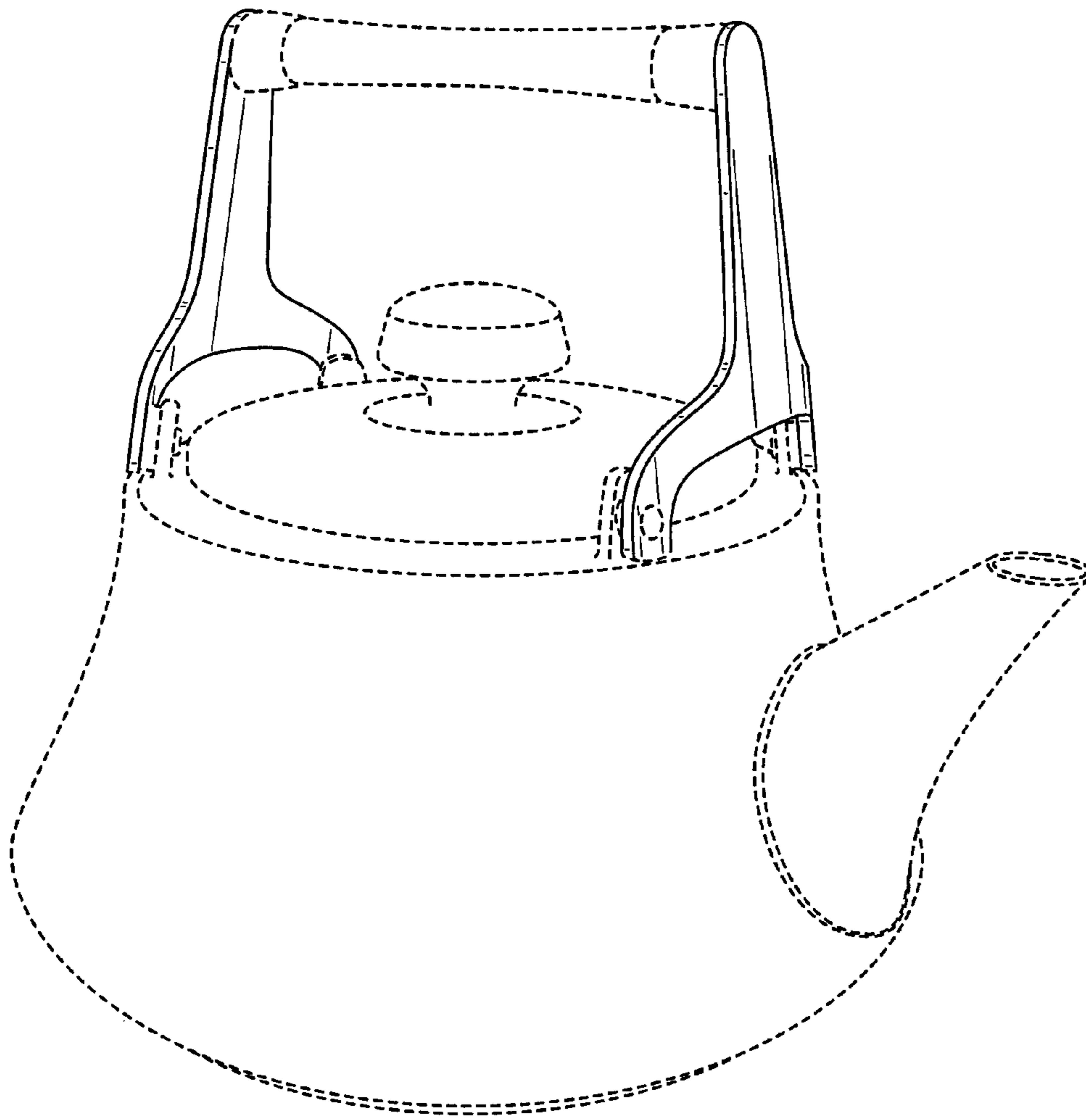


FIG. 1

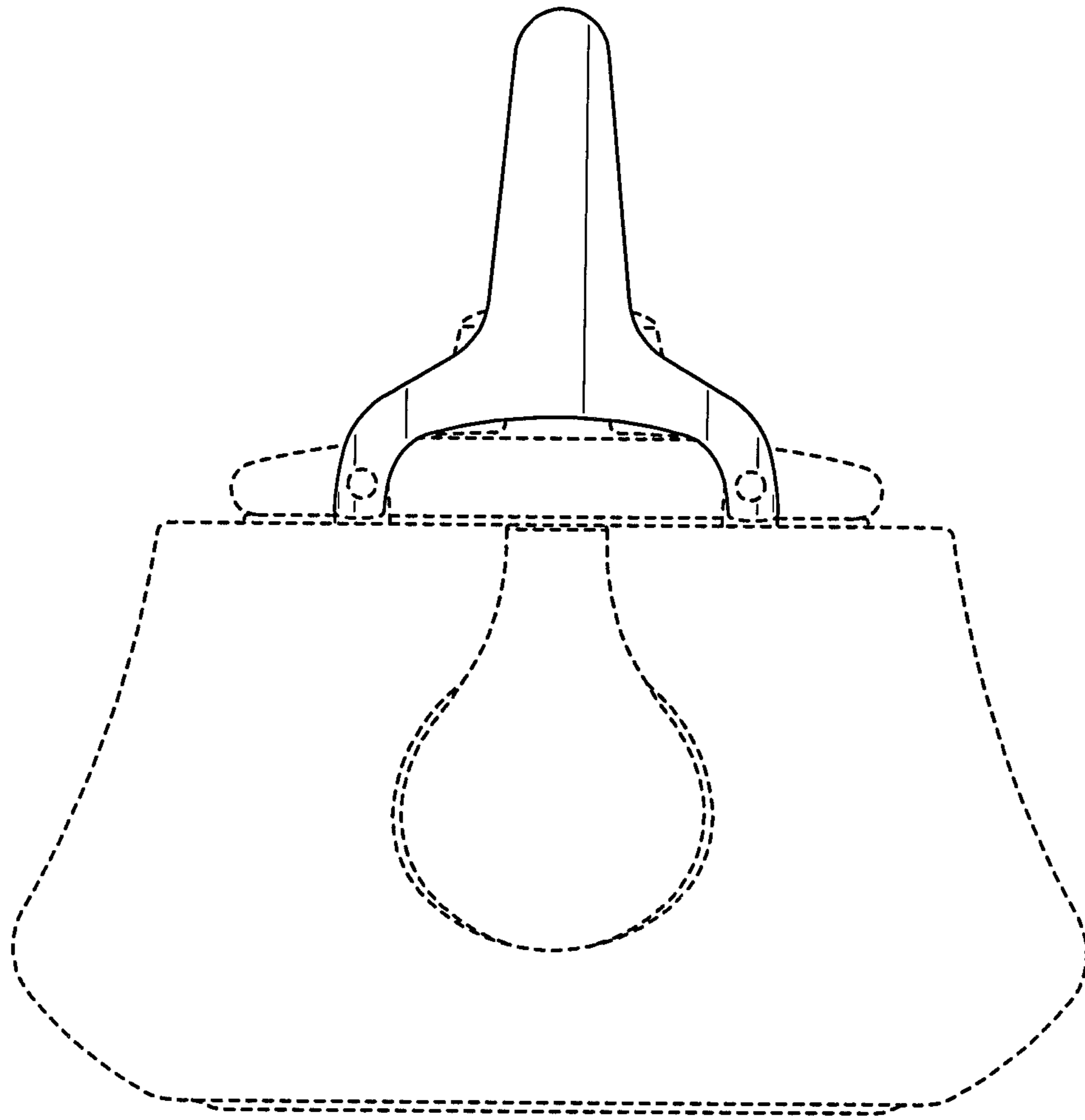


FIG. 2

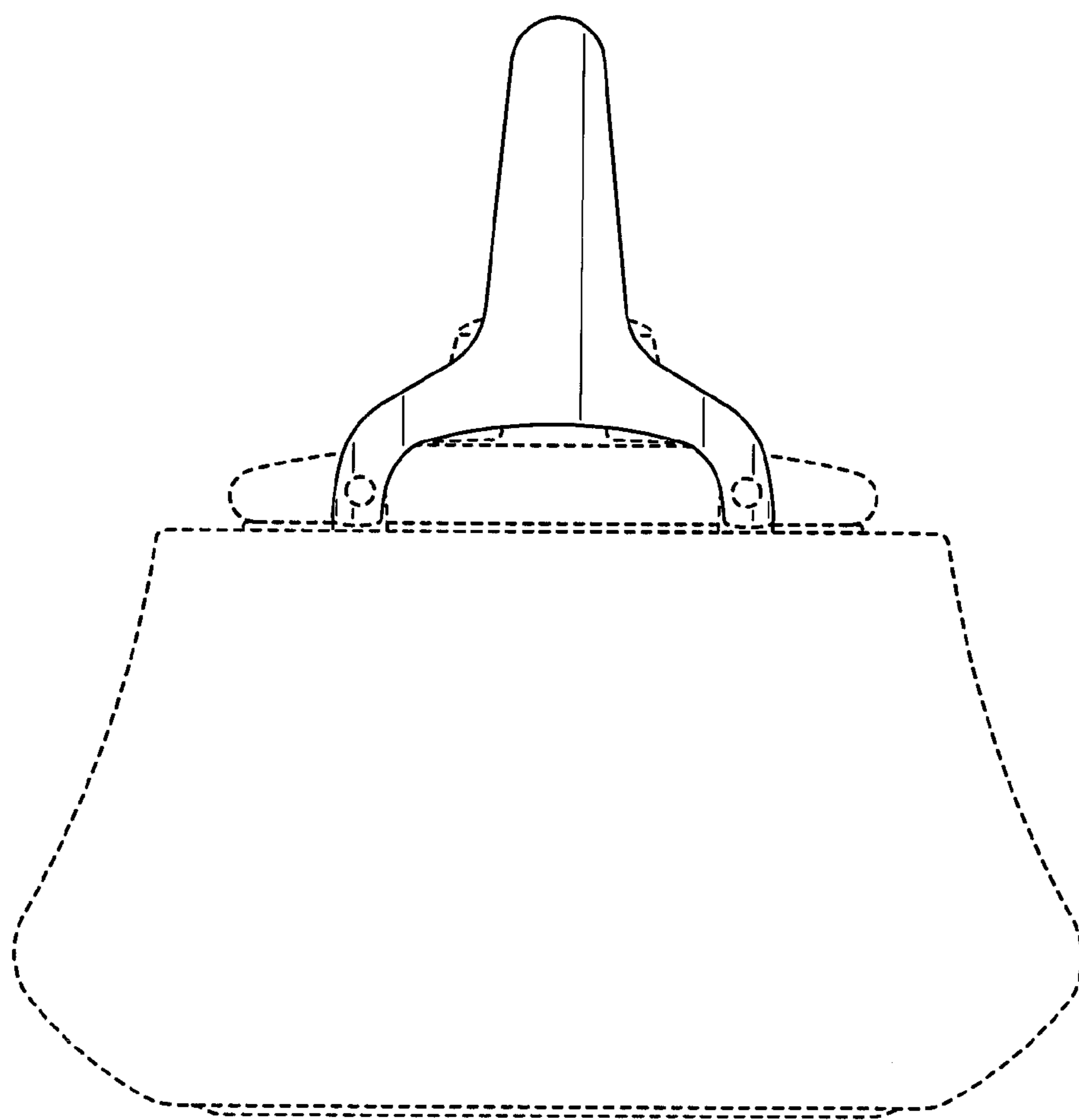


FIG. 3

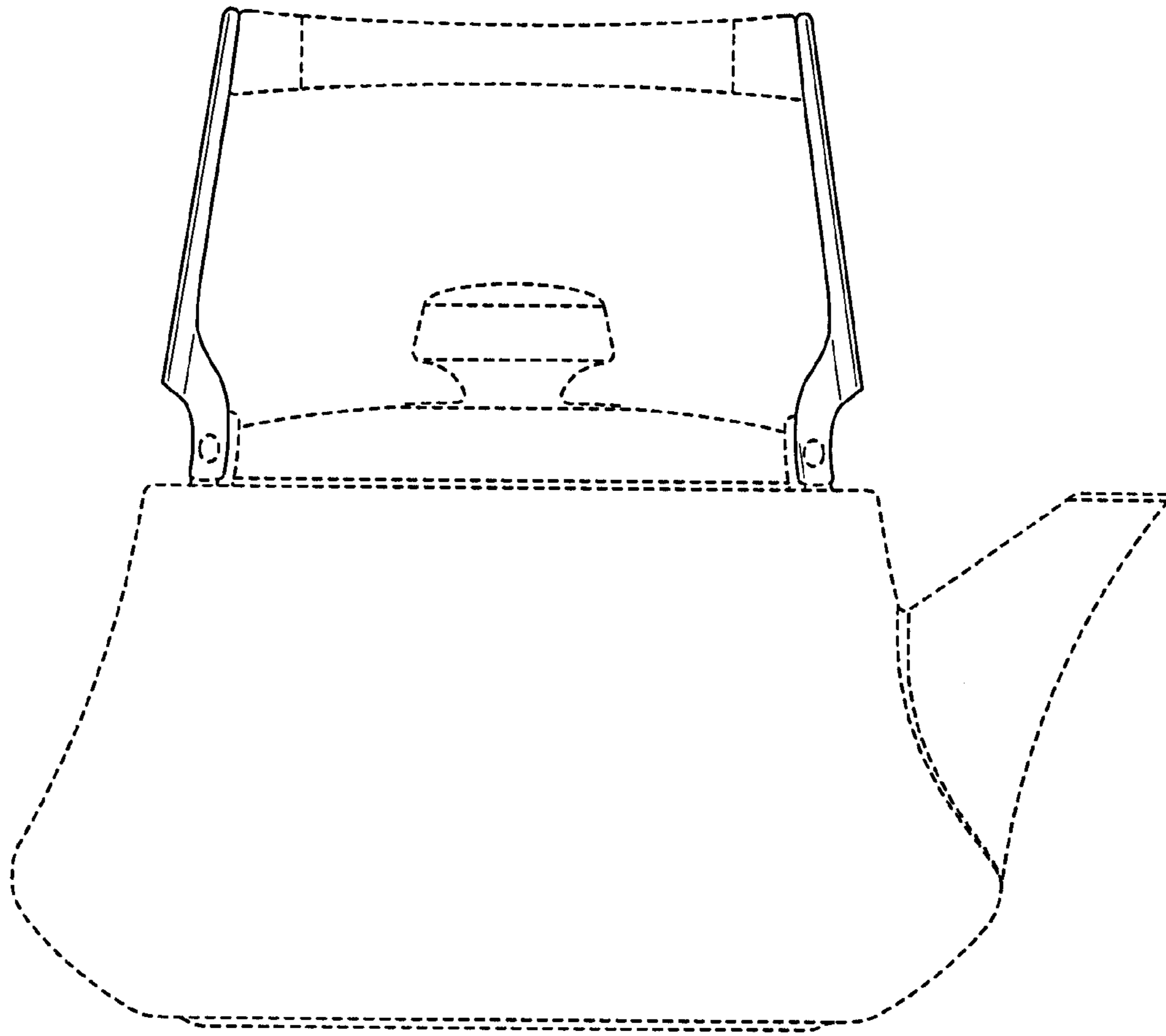


FIG. 4

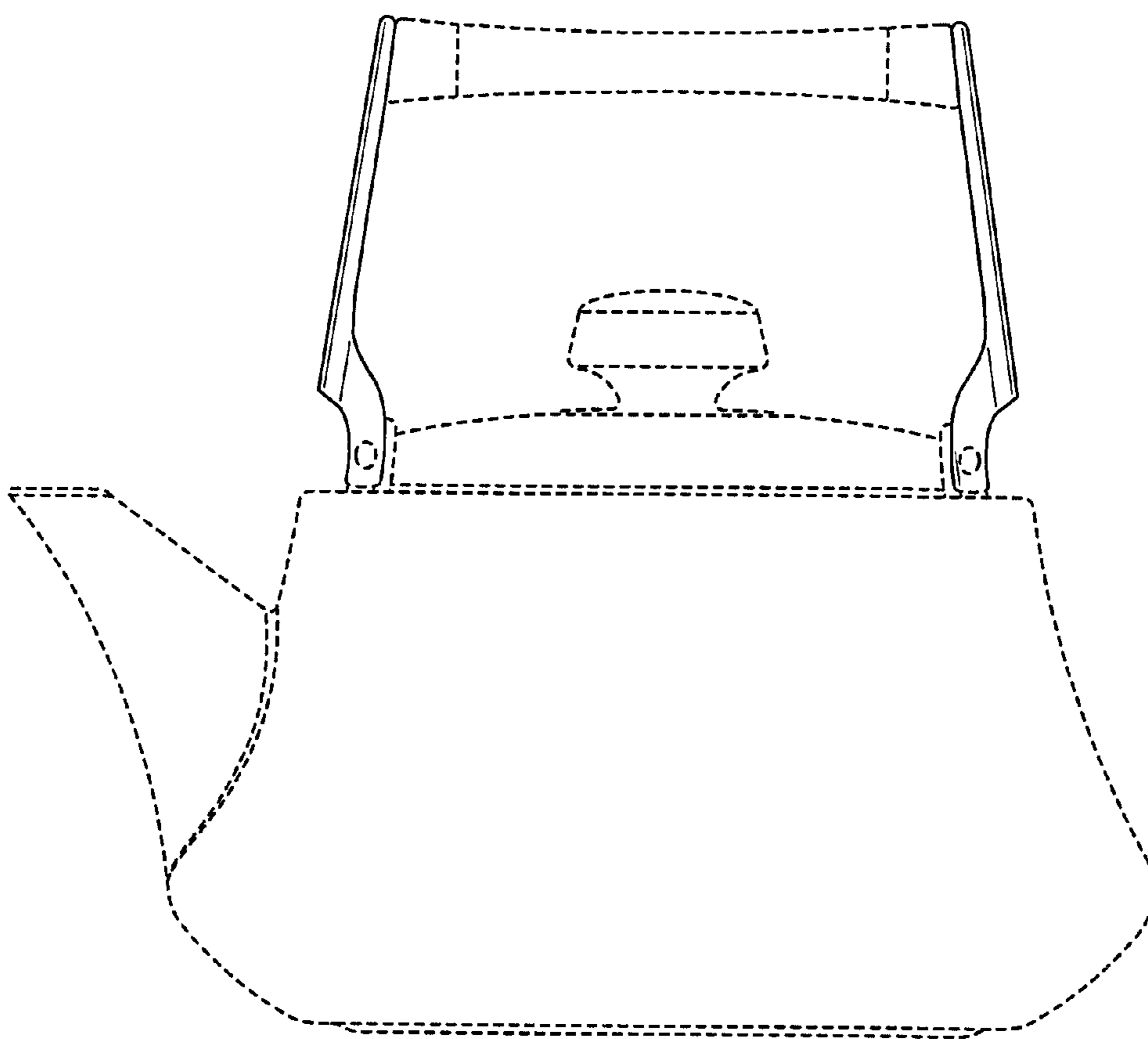


FIG. 5

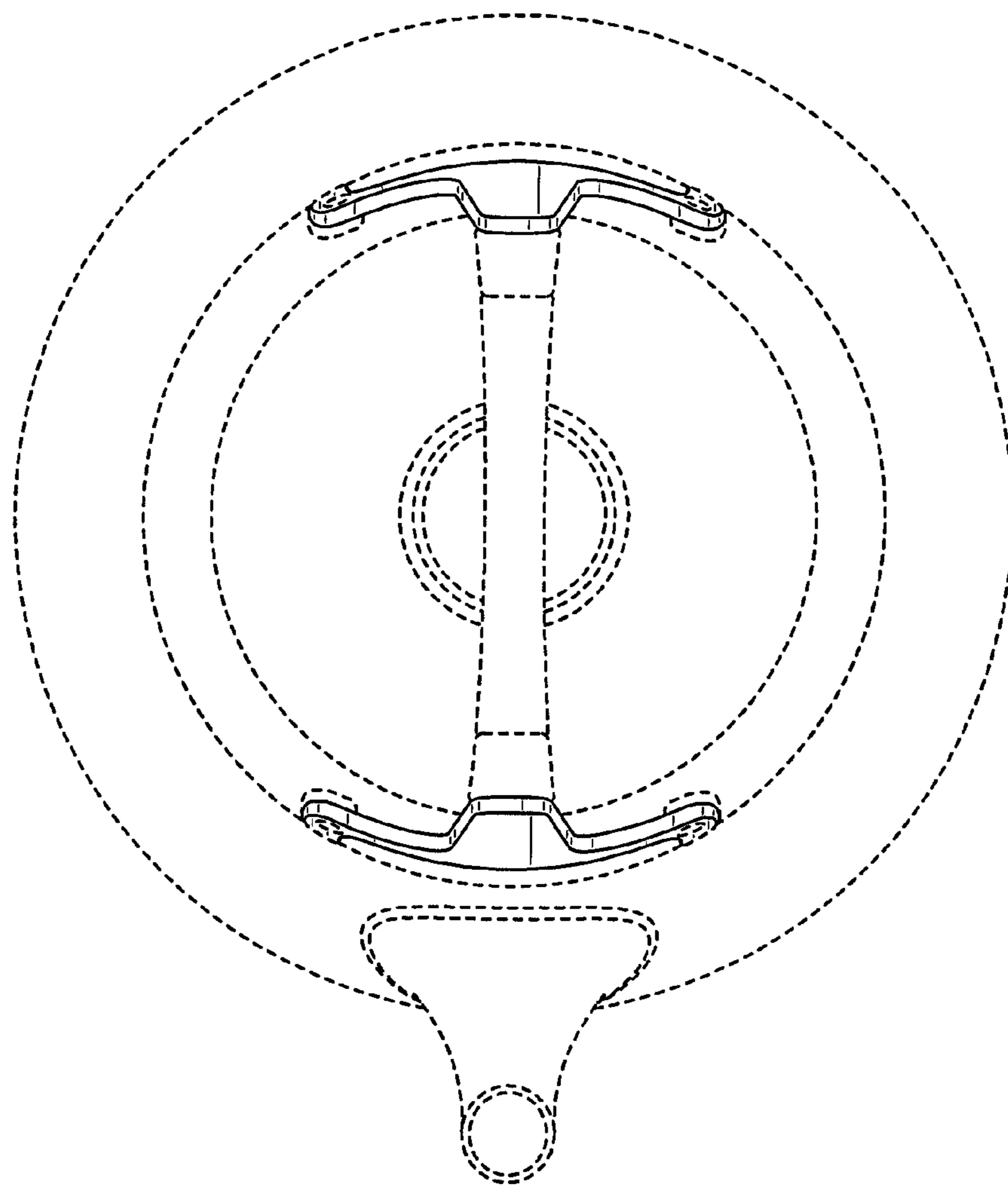


FIG. 6

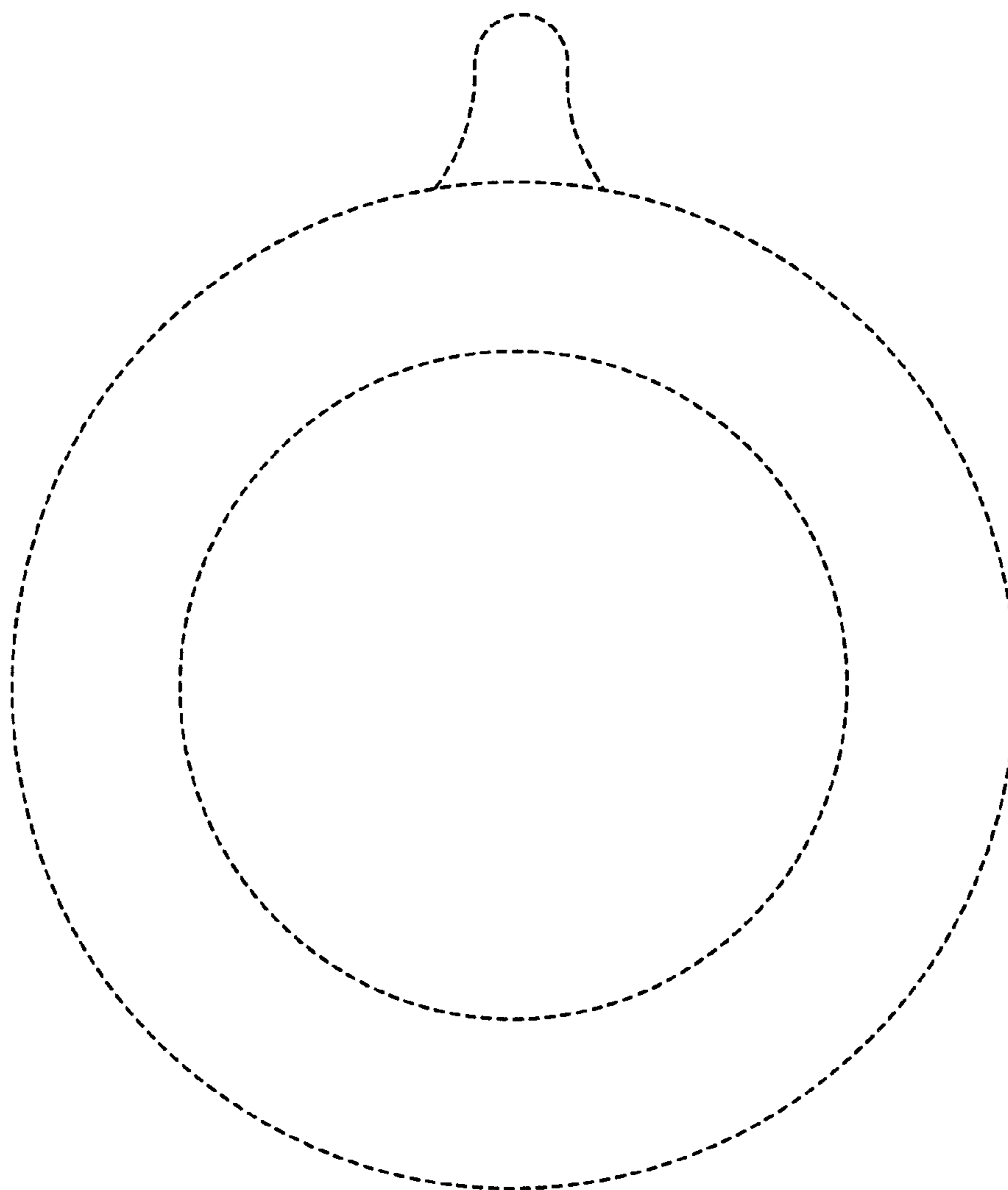


FIG. 7