



US00D719400S

(12) **United States Design Patent**
Thonis

(10) **Patent No.:** **US D719,400 S**

(45) **Date of Patent:** **** Dec. 16, 2014**

(54) **LID FOR A SERVING DISH**

(71) Applicant: **Lenox Corporation**, Bristol, PA (US)

(72) Inventor: **Paul Thonis**, New Hope, PA (US)

(73) Assignee: **Lenox Corporation**, Bristol, PA (US)

(**) Term: **14 Years**

(21) Appl. No.: **29/462,649**

(22) Filed: **Aug. 6, 2013**

(51) **LOC (10) Cl.** **07-02**

(52) **U.S. Cl.**
USPC **D7/392.1**

(58) **Field of Classification Search**
USPC D7/394, 391, 392.1, 392, 510, 511;
D9/449, 447, 443, 451, 761, 561, 552,
D9/452, 746; 220/212, 713
See application file for complete search history.

(56) **References Cited**

U.S. PATENT DOCUMENTS

D211,979 S *	8/1968	Dru	D9/443
D364,533 S *	11/1995	Brophy	D7/387
D374,793 S *	10/1996	Eickel	D7/391
D434,714 S *	12/2000	White	D12/213
D457,392 S *	5/2002	Joergensen	D7/402
D480,598 S *	10/2003	Teisen-Simony et al.	D7/391
D562,626 S *	2/2008	Freeman	D7/392.1
D565,674 S *	4/2008	Bozof	D21/715
D571,145 S *	6/2008	Rae	D7/391
D579,717 S *	11/2008	Pawson et al.	D7/391
D613,126 S *	4/2010	Warner	D7/587
D630,475 S *	1/2011	Lu	D7/629
D641,206 S *	7/2011	Heiberg et al.	D7/391
D704,985 S *	5/2014	Lin	D7/391
2003/0201666 A1 *	10/2003	Artessa et al.	301/37.103

OTHER PUBLICATIONS

Paul Thonis, "Kobenstyle Timeline," Lenox Corporation, internal memo (pertinent portions), 2012, 4 pages.

Kobenstyle 2 Quart Covered Casserole, 1 page, Original Danish and French production, prior to 2000. Photos by Paul Thonis, 2012.

Kobenstyle 4 Quart Covered Casserole, 1 page, Danish and French production, prior to 2000. Photos by Paul Thonis, 2012.

Kobenstyle 6 Quart Covered Casserole, 1 page, French production, prior to 2000. Photos by Paul Thonis, 2012.

* cited by examiner

Primary Examiner — George D Kirschbaum

Assistant Examiner — Kendra L Hamilton

(57) **CLAIM**

I claim the ornamental design for a lid for a serving dish, as shown and described.

DESCRIPTION

FIG. 1 is a front perspective view of a first embodiment of my new design for a lid for a serving dish, featuring the top, front and left sides thereof;

FIG. 2 is a front elevational view thereof;

FIG. 3 is a rear elevational view thereof;

FIG. 4 is a left side elevational view thereof;

FIG. 5 is a right side elevational view thereof;

FIG. 6 is a top elevational view thereof;

FIG. 7 is a bottom elevational view thereof;

FIG. 8 is a front perspective view of a second embodiment of my new design for a lid for a serving dish, featuring the top, front and left sides thereof;

FIG. 9 is a front elevational view thereof;

FIG. 10 is a rear elevational view thereof;

FIG. 11 is a left side elevational view thereof;

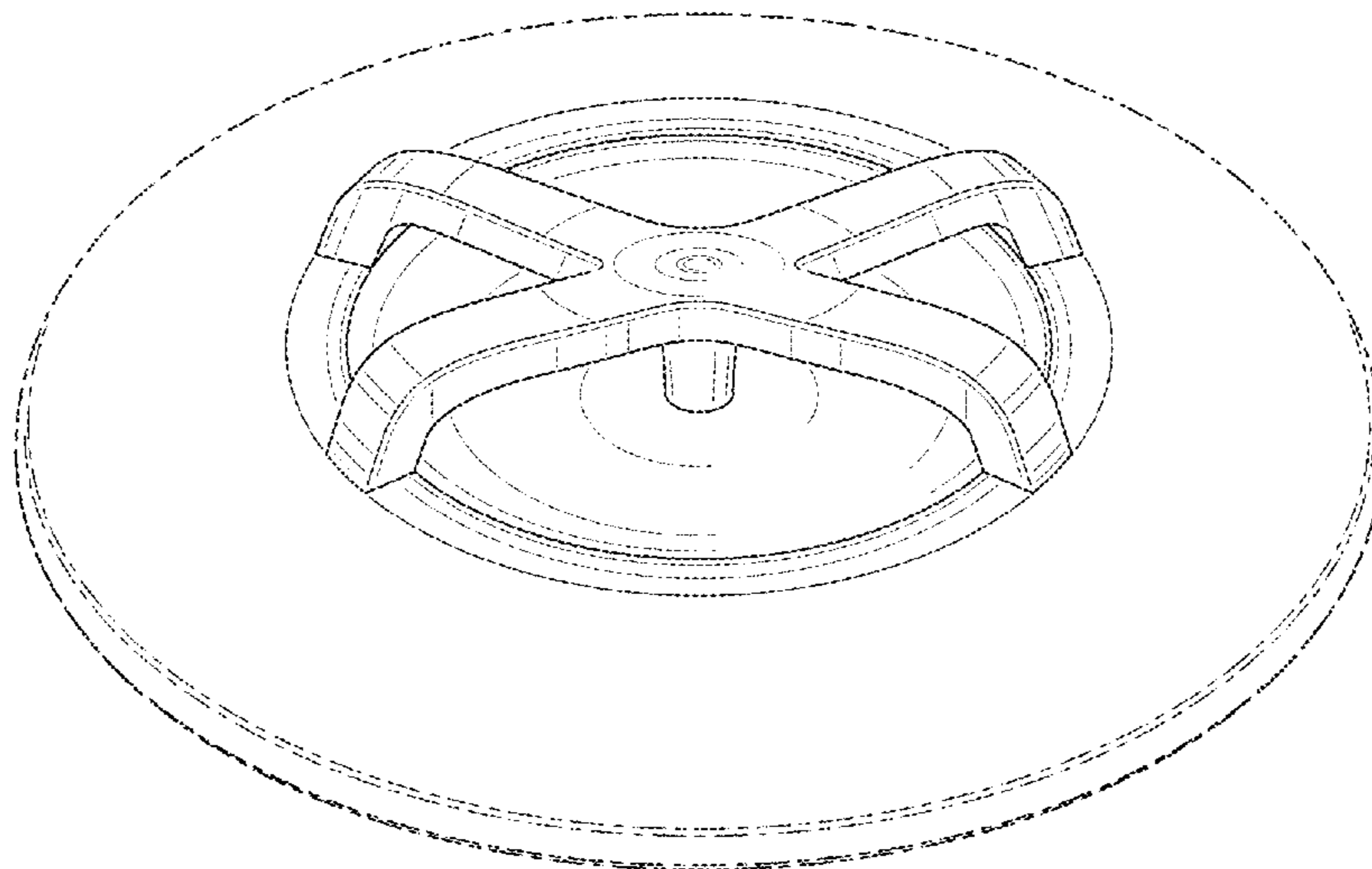
FIG. 12 is a right side elevational view thereof;

FIG. 13 is a top elevational view thereof; and,

FIG. 14 is a bottom elevational view thereof.

The broken lines illustrate portions of the lid for a serving dish which form no part of the claimed design.

1 Claim, 10 Drawing Sheets



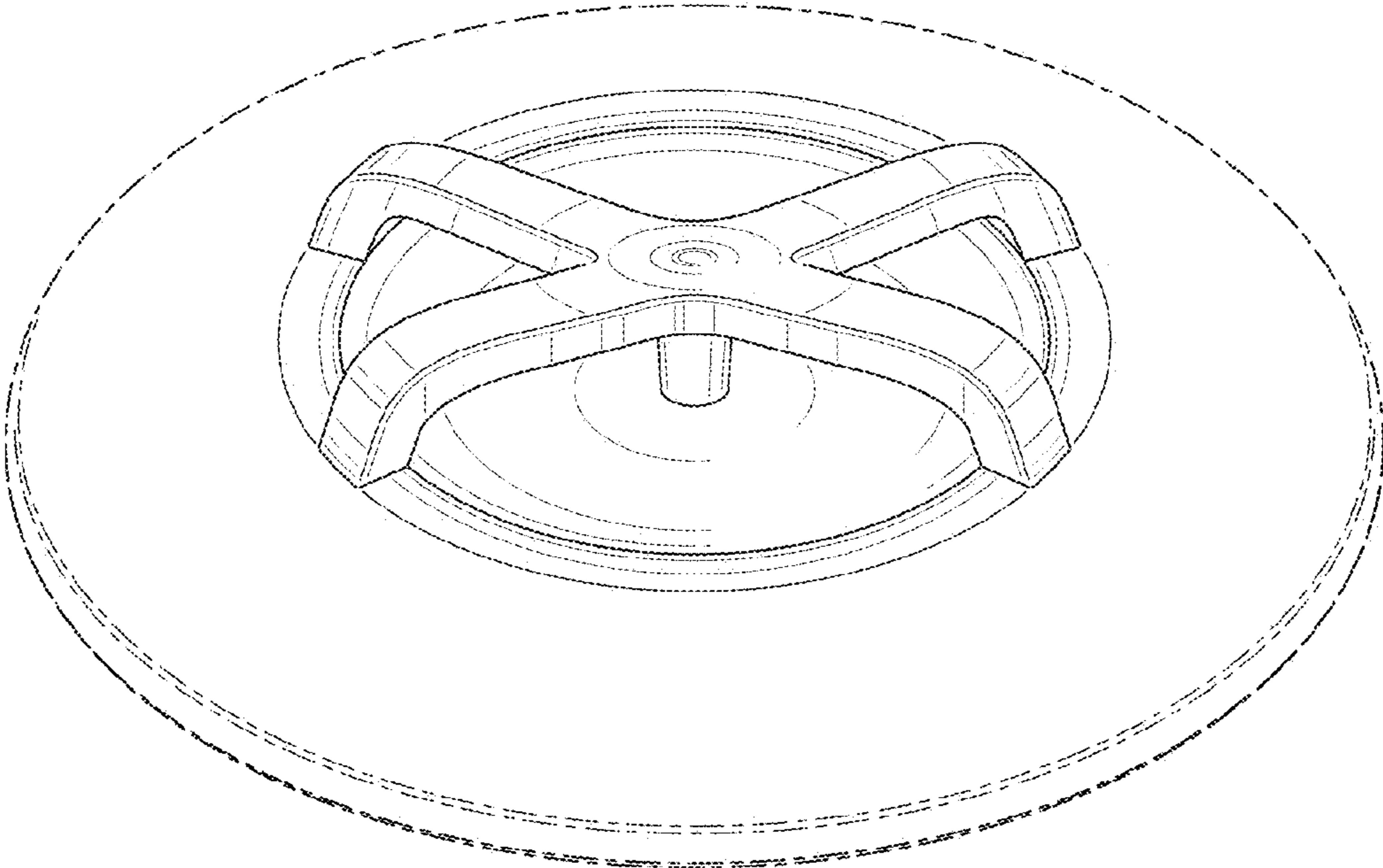


FIG. 1

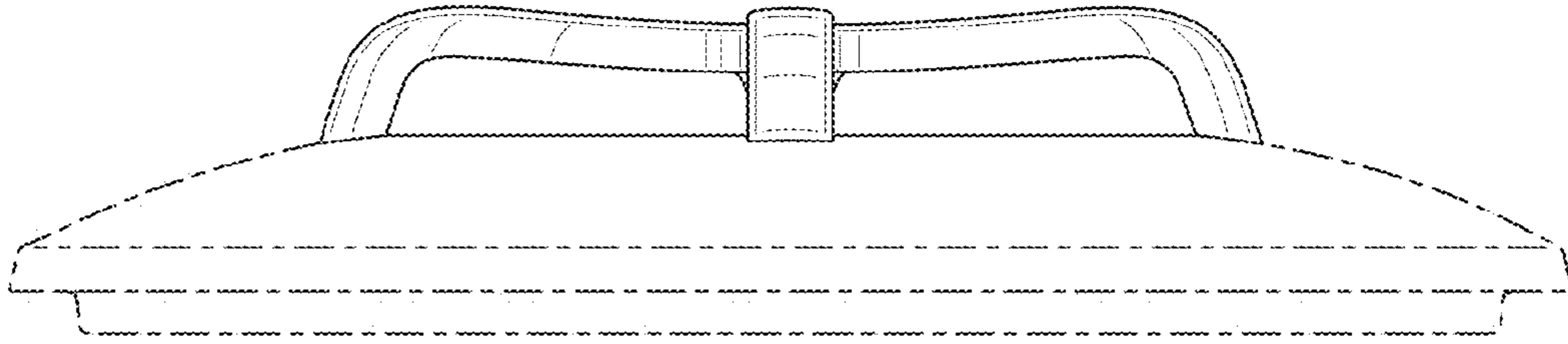


FIG. 2

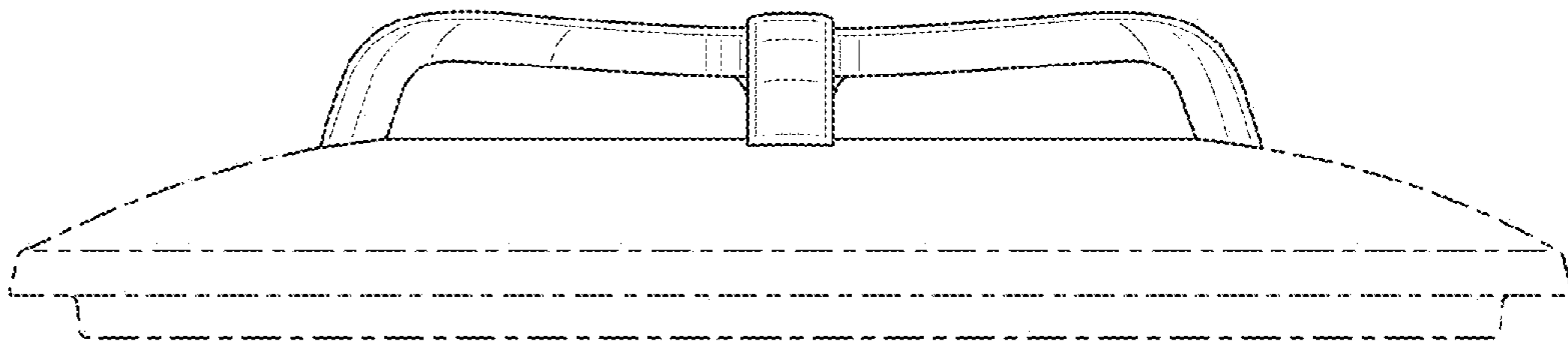


FIG. 3

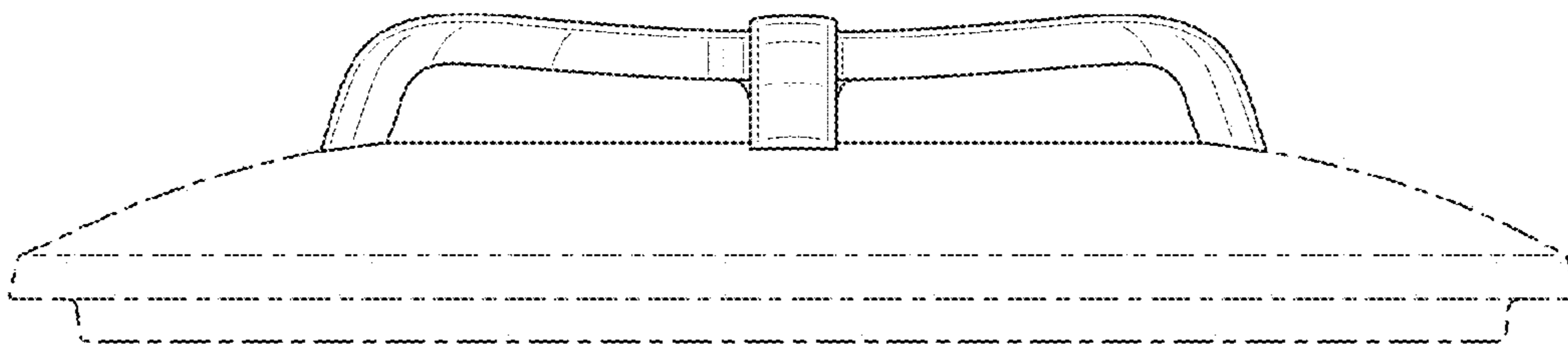


FIG. 4

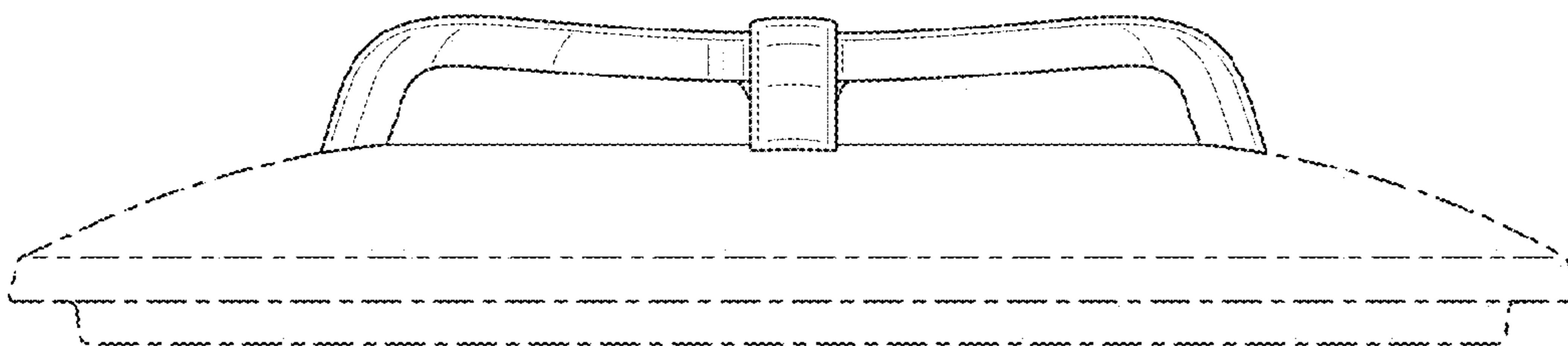


FIG. 5

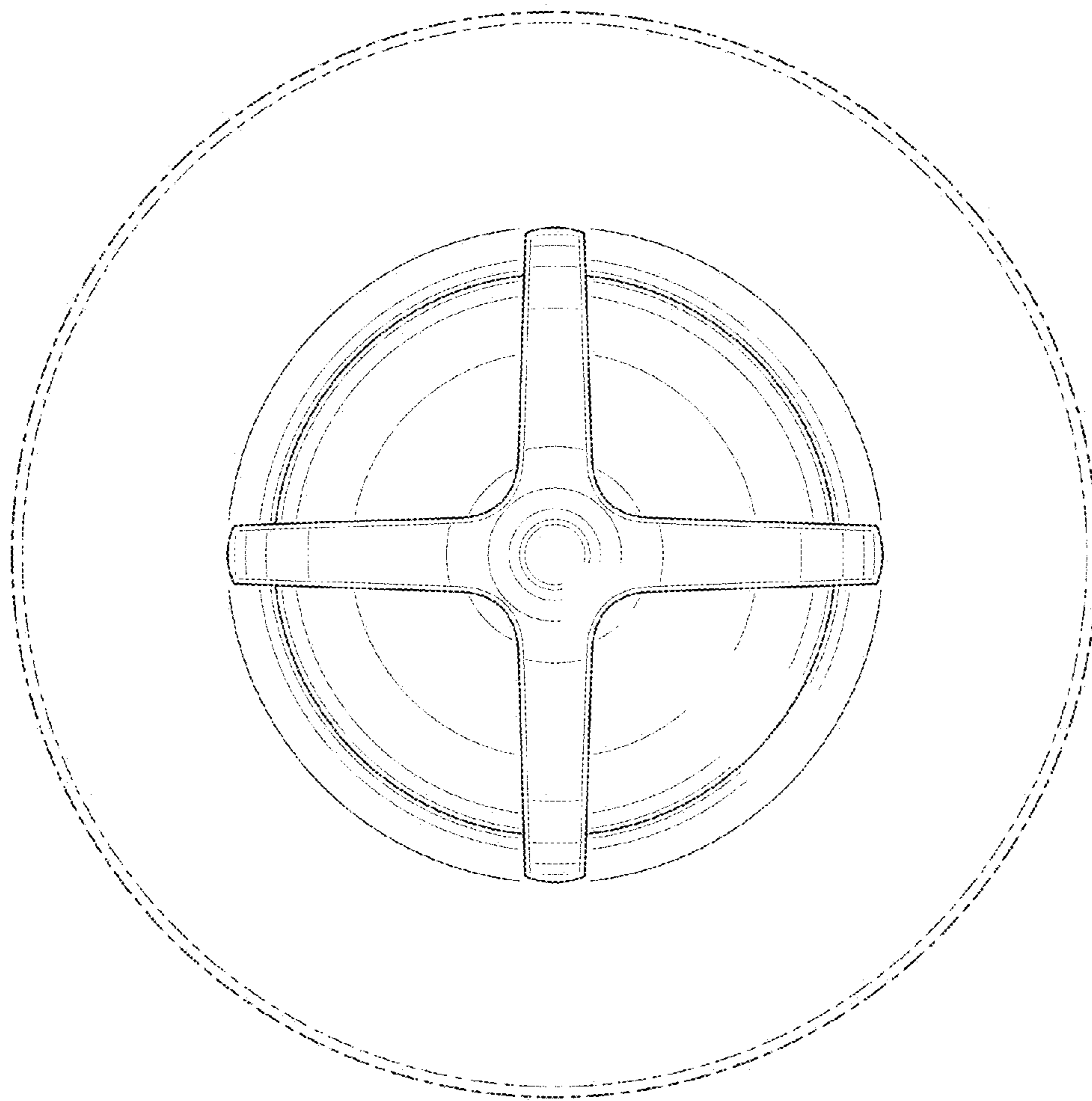


FIG. 6

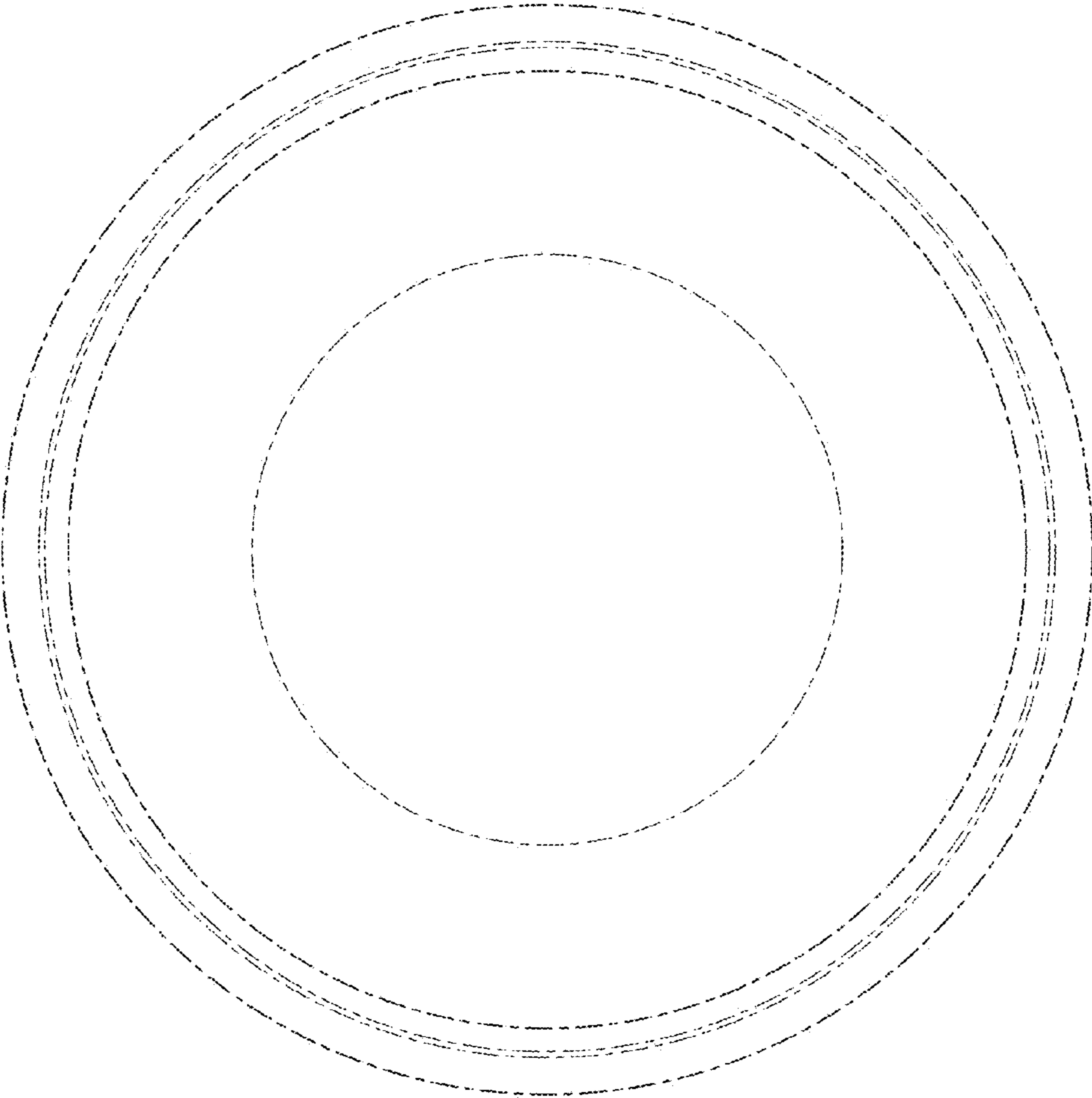


FIG. 7

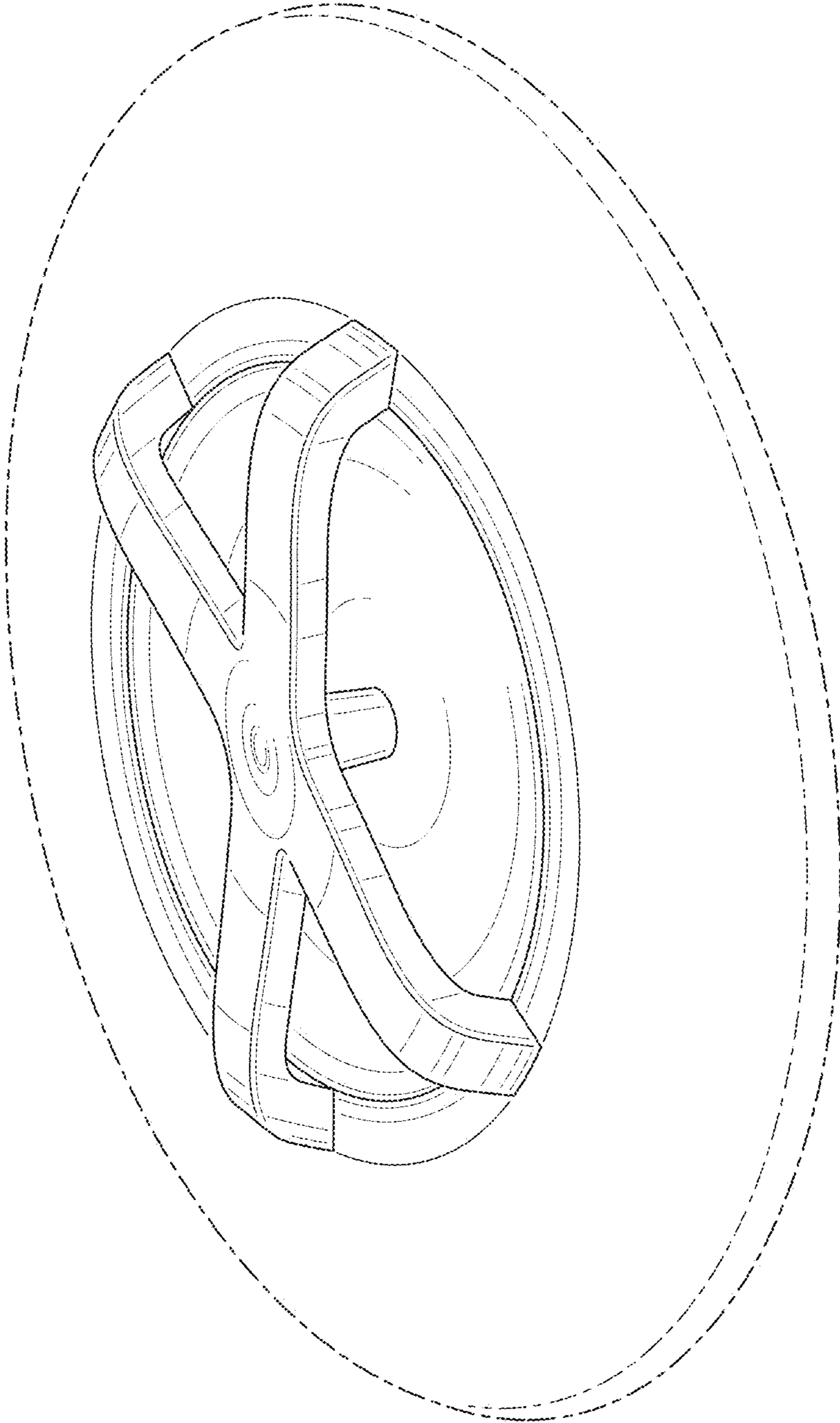


FIG. 8

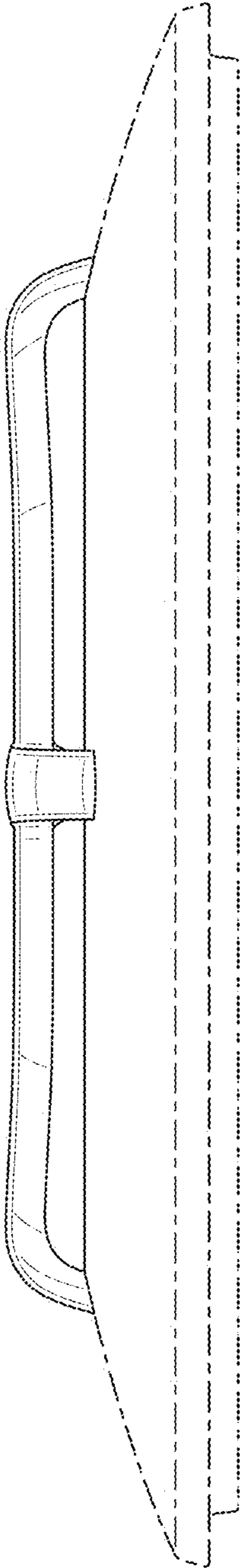


FIG. 9

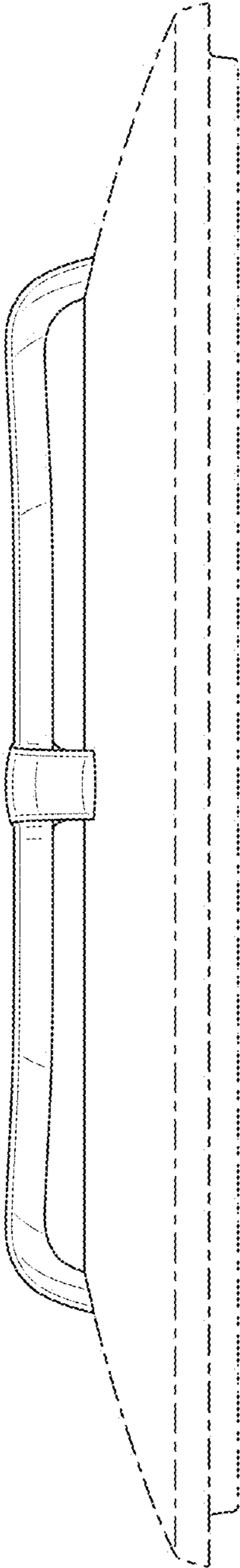


FIG. 10

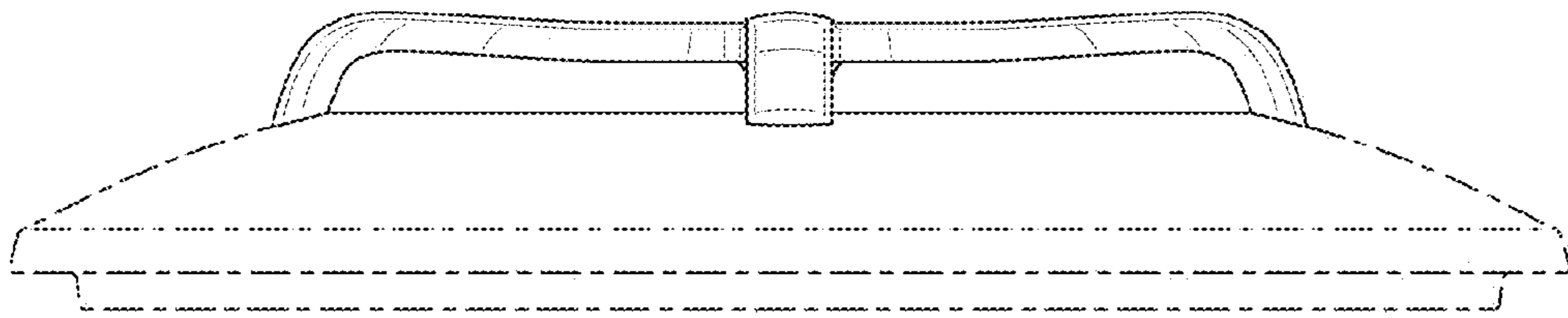


FIG. 11

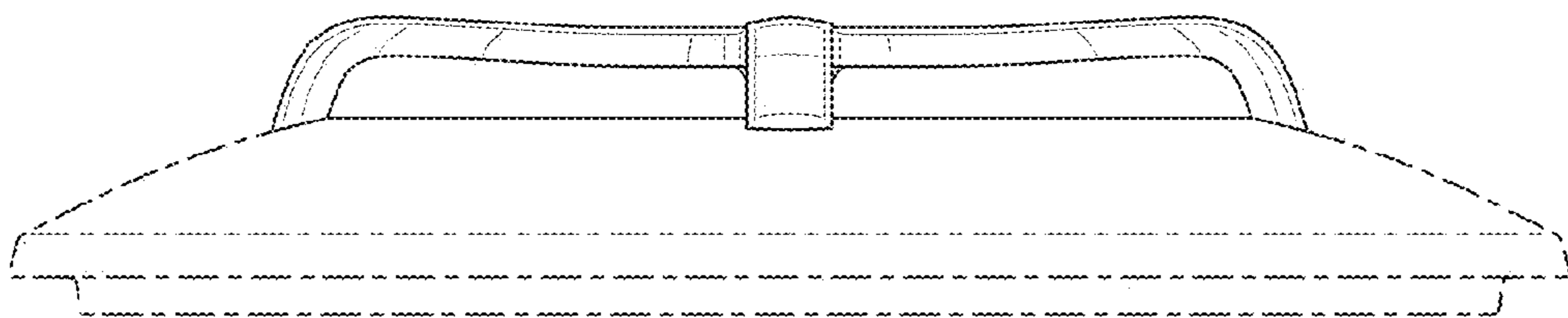


FIG. 12

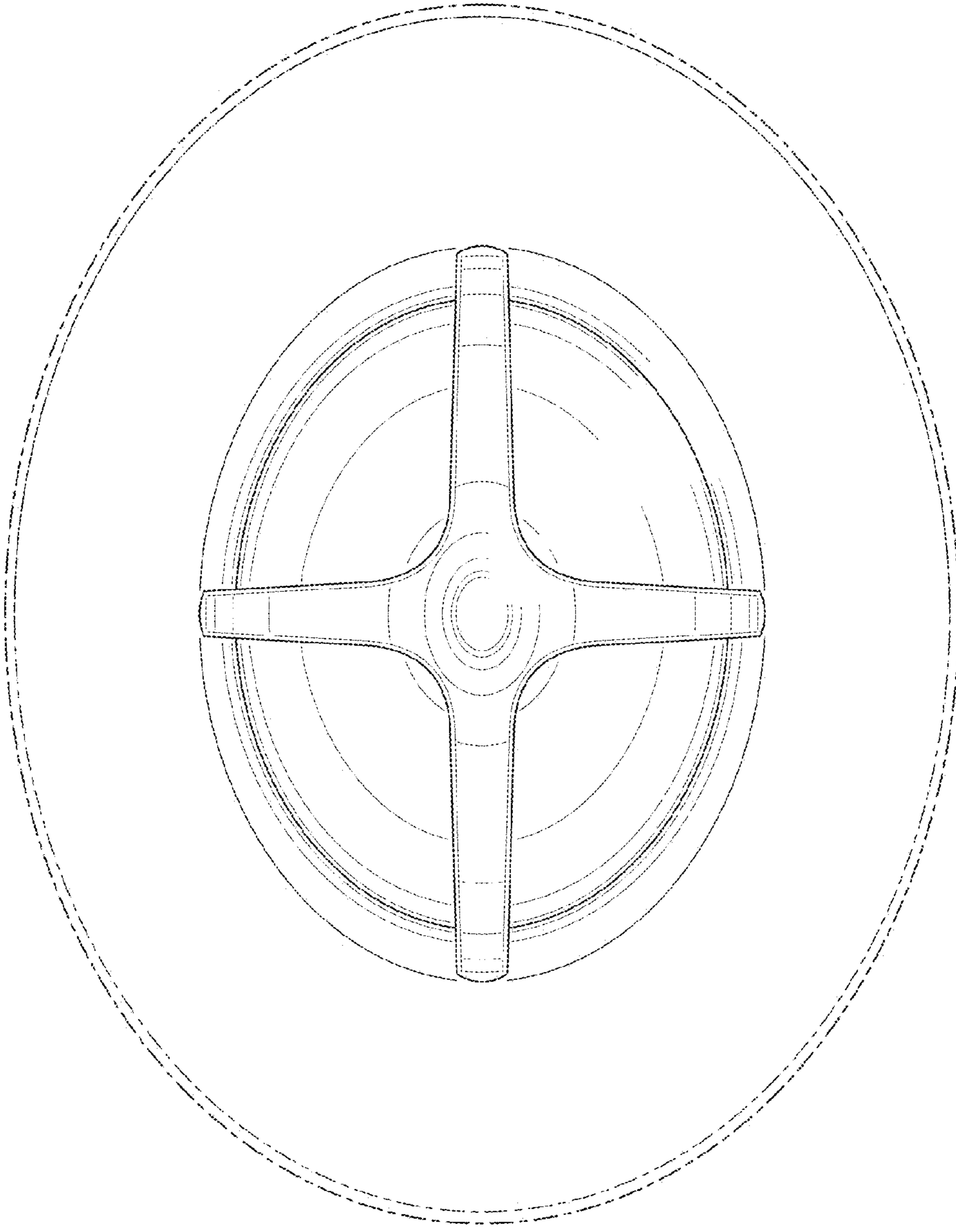


FIG. 13

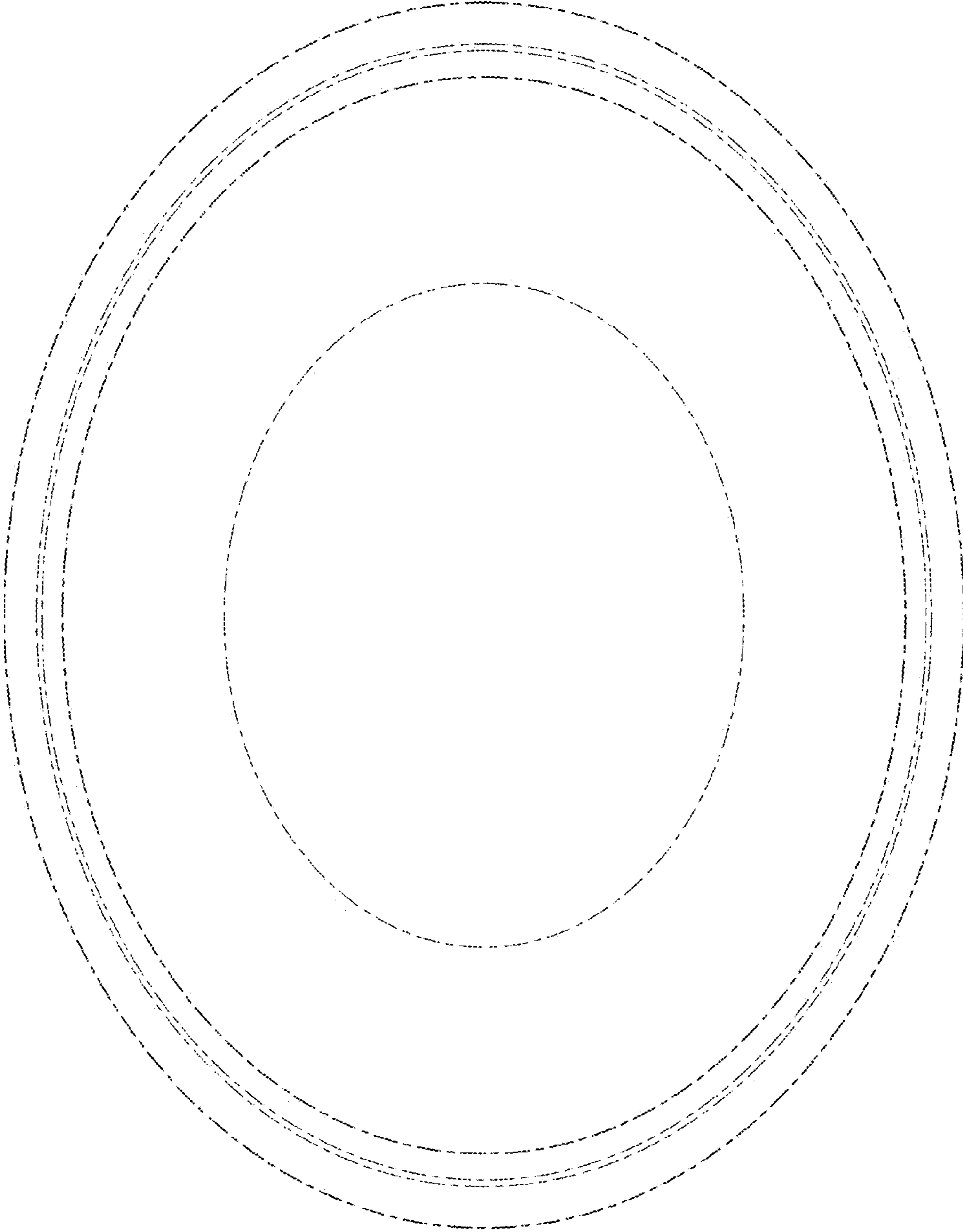


FIG. 14