



US00D719395S

(12) **United States Design Patent**  
**Miller**

(10) **Patent No.:** **US D719,395 S**  
(45) **Date of Patent:** **\*\* Dec. 16, 2014**

- (54) **GRILL**
- (71) Applicant: **Spectrum Brands, Inc.**, Middleton, WI (US)
- (72) Inventor: **Randy Scott Miller**, DeForest, WI (US)
- (73) Assignee: **Spectrum Brands, Inc.**, Middleton, WI (US)
- (\*\*) Term: **14 Years**
- (21) Appl. No.: **29/483,545**
- (22) Filed: **Feb. 28, 2014**
- (51) **LOC (10) Cl.** ..... **07-02**
- (52) **U.S. Cl.**  
USPC ..... **D7/352**
- (58) **Field of Classification Search**  
CPC ..... A21B 5/023; A47J 27/60; A47J 27/62;  
A47J 37/04; A47J 37/06; A47J 37/067;  
A47J 37/0605; A47J 37/0611; A47J 37/0623;  
A47J 37/0629; A47J 37/0676; F24C 15/10;  
F24C 15/102; H05B 6/02; H05B 6/062  
USPC ..... D7/323, 328-330, 337, 347, 352-364,  
D7/402, 409-411; 99/324-326, 331, 339,  
99/349, 357, 372-379, 444-446; 219/386,  
219/450.1, 472, 524-525, 620-622,  
219/732-734  
See application file for complete search history.

(56) **References Cited**

**U.S. PATENT DOCUMENTS**

D413,760 S *	9/1999	Tsai et al.	.....	D7/352
D446,074 S *	8/2001	Barker	.....	D7/352
D462,228 S *	9/2002	Wu	.....	D7/352
D462,229 S *	9/2002	Wu	.....	D7/352
D462,566 S *	9/2002	Wu	.....	D7/352
D463,950 S *	10/2002	Wu	.....	D7/352
D464,230 S *	10/2002	Wu	.....	D7/352

D475,237 S *	6/2003	Lin	.....	D7/352
D493,663 S *	8/2004	Lin et al.	.....	D7/347
D494,407 S *	8/2004	Lin et al.	.....	D7/347
D521,310 S *	5/2006	Lin	.....	D7/352
D522,802 S *	6/2006	Dreimann et al.	.....	D7/352
D526,154 S *	8/2006	Dreimann et al.	.....	D7/352
D539,596 S *	4/2007	Dreimann et al.	.....	D7/352
D539,597 S *	4/2007	Dreimann et al.	.....	D7/352
D540,109 S *	4/2007	Dreimann et al.	.....	D7/352
D541,580 S *	5/2007	Dreimann et al.	.....	D7/352
D549,516 S *	8/2007	Since et al.	.....	D7/352
D550,025 S *	9/2007	Chao	.....	D7/352
D550,026 S *	9/2007	Chao	.....	D7/352
D562,620 S *	2/2008	Li	.....	D7/352
D575,577 S *	8/2008	Chao	.....	D7/360

(Continued)

**OTHER PUBLICATIONS**

Color photos of selected George Foreman Grills, Applica Consumer Products, Inc; 14 color sheets; All designs made public prior to Jun. 7, 2011.

*Primary Examiner* — Ricky Pham

(74) *Attorney, Agent, or Firm* — Banner & Witcoff, Ltd.

(57) **CLAIM**

The ornamental design for a grill, as shown and described.

**DESCRIPTION**

FIG. 1 is a front perspective view of a grill showing my new design;

FIG. 2 is a top view thereof;

FIG. 3 is a bottom view thereof;

FIG. 4 is a rear view thereof;

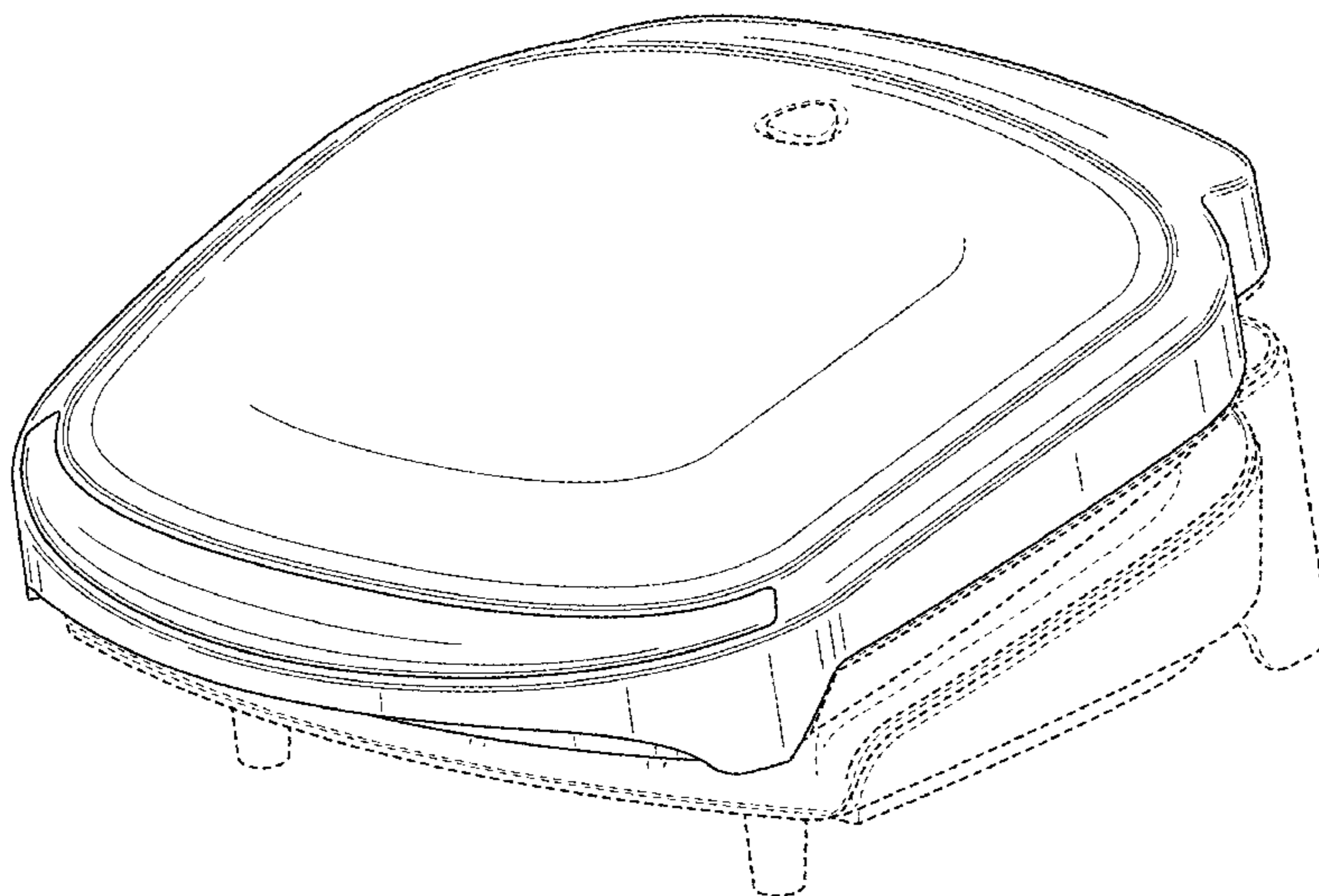
FIG. 5 is a front view thereof;

FIG. 6 is a right side view thereof; and,

FIG. 7 is a left side view thereof.

The broken line showing of various elements of the grill is for environmental purposes only and forms no part of the claimed design.

**1 Claim, 6 Drawing Sheets**



(56)

**References Cited**

U.S. PATENT DOCUMENTS

D592,005 S \* 5/2009 Richardson et al. .... D7/337  
D594,695 S \* 6/2009 Lin ..... D7/360  
D621,203 S \* 8/2010 Huang ..... D7/352  
D638,260 S \* 5/2011 Lin ..... D7/402

D650,220 S 12/2011 Miller et al.  
D650,221 S 12/2011 Miller et al.  
D650,222 S 12/2011 Miller et al.  
D650,223 S 12/2011 Miller et al.  
D650,224 S 12/2011 Miller et al.

\* cited by examiner

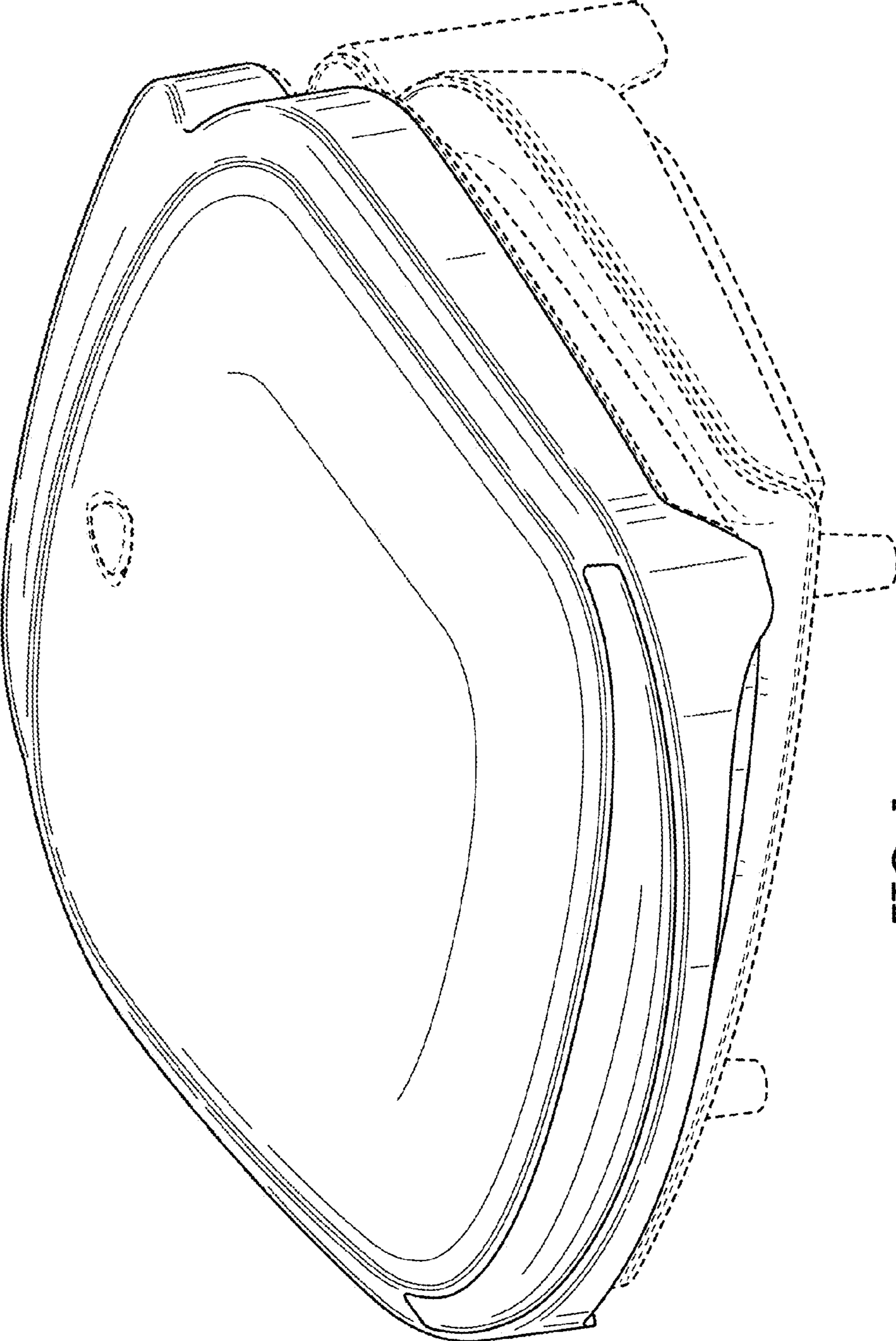


FIG. 1

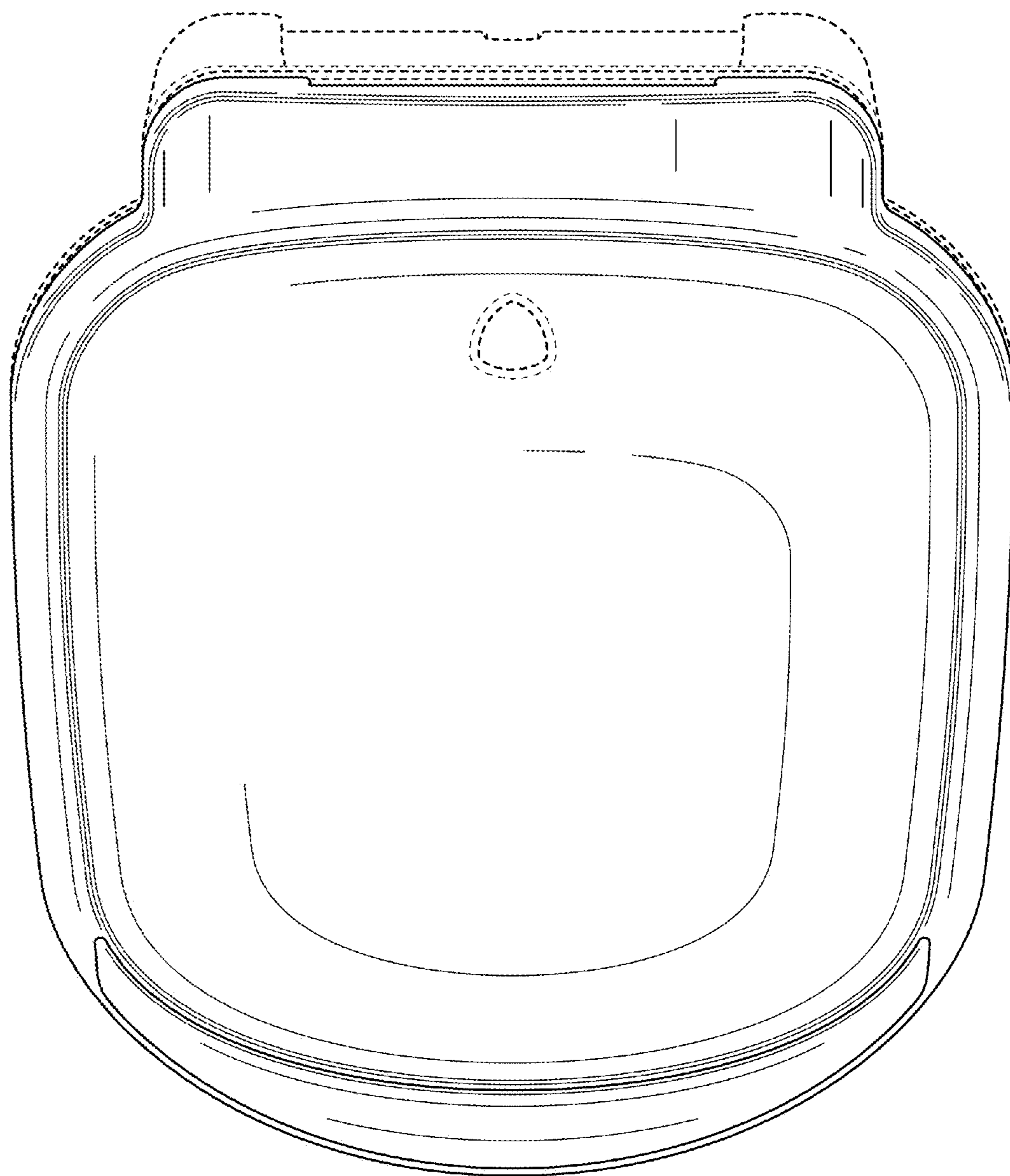


FIG. 2



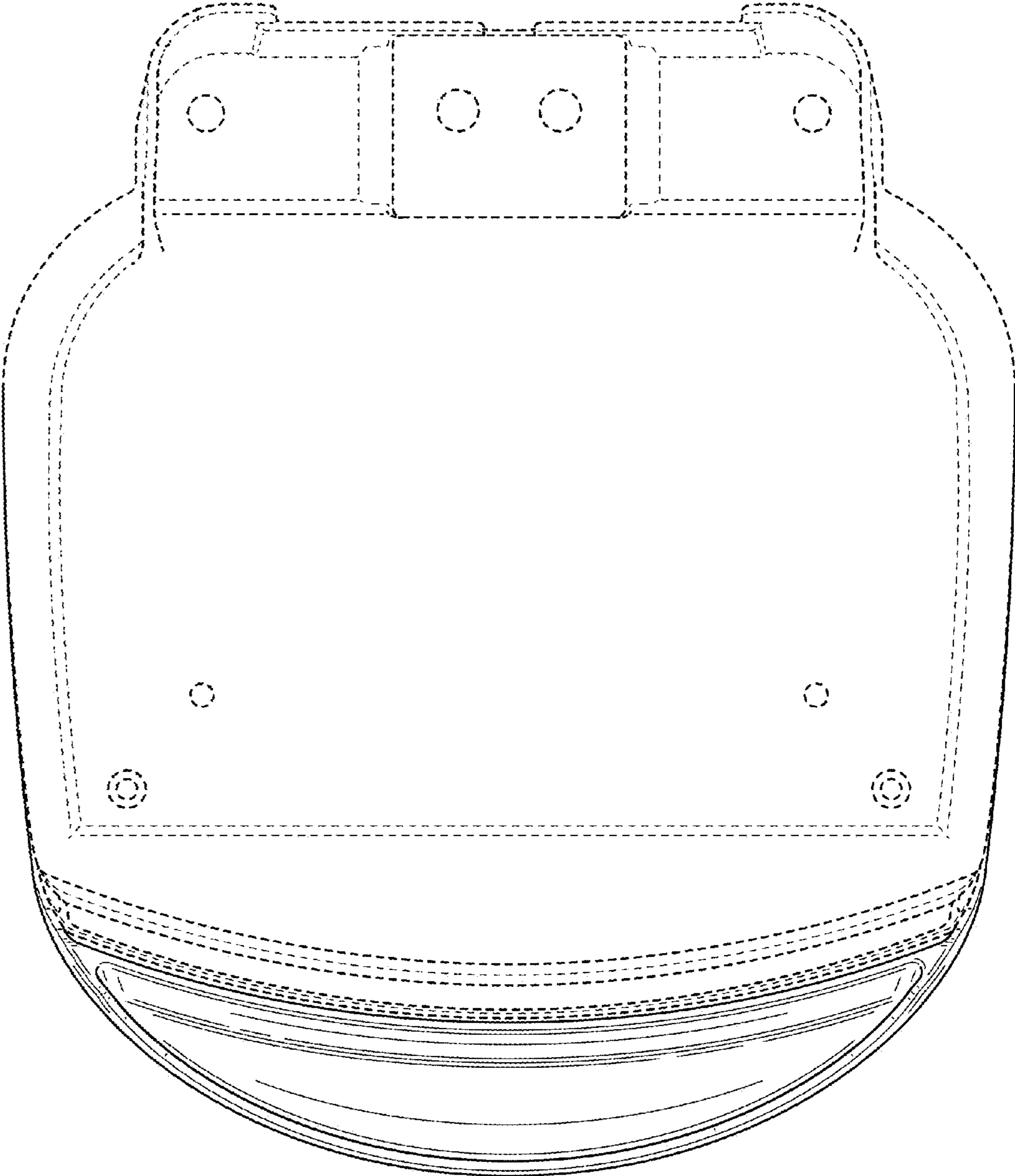


FIG. 3

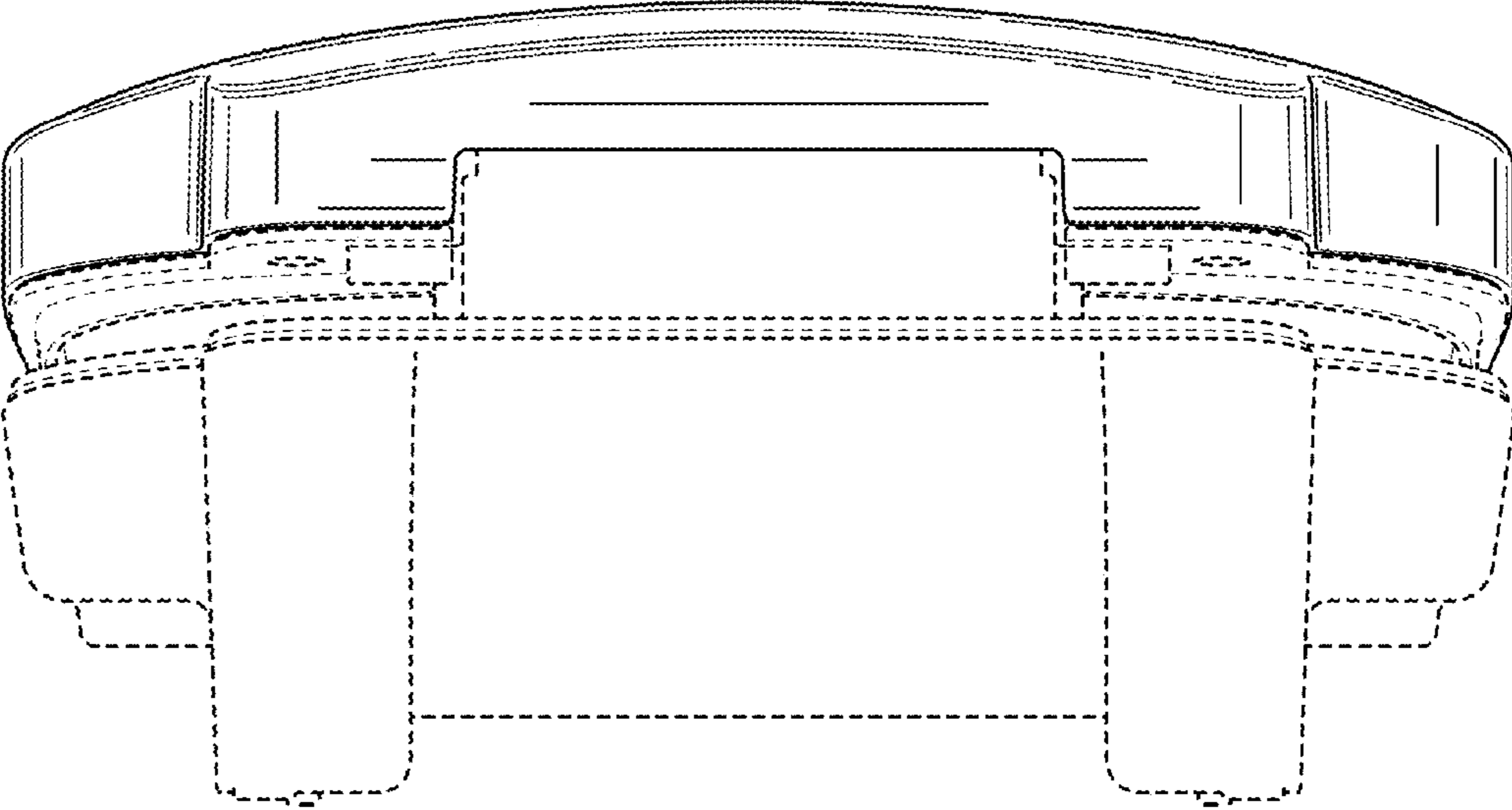


FIG. 4

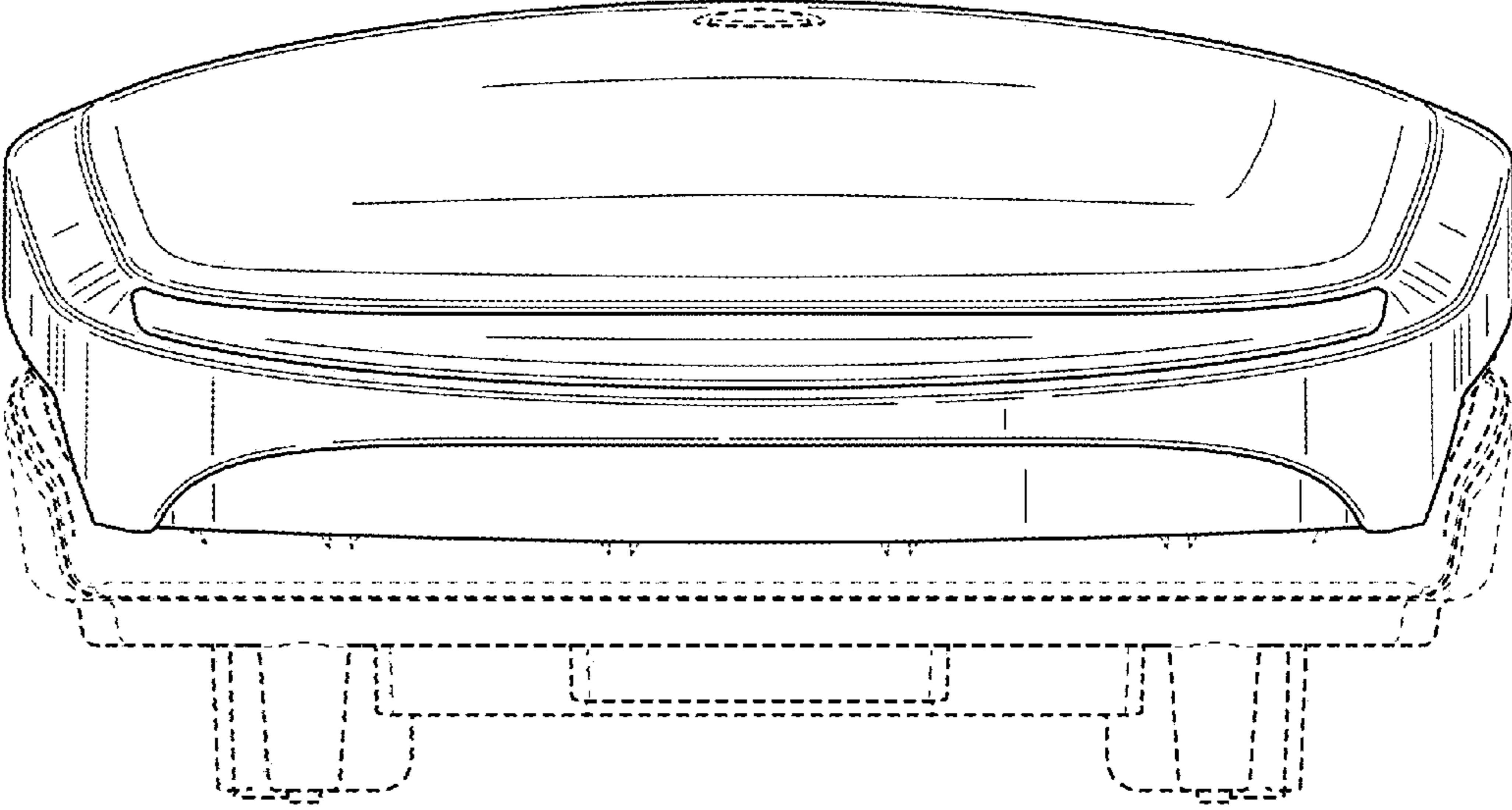


FIG. 5

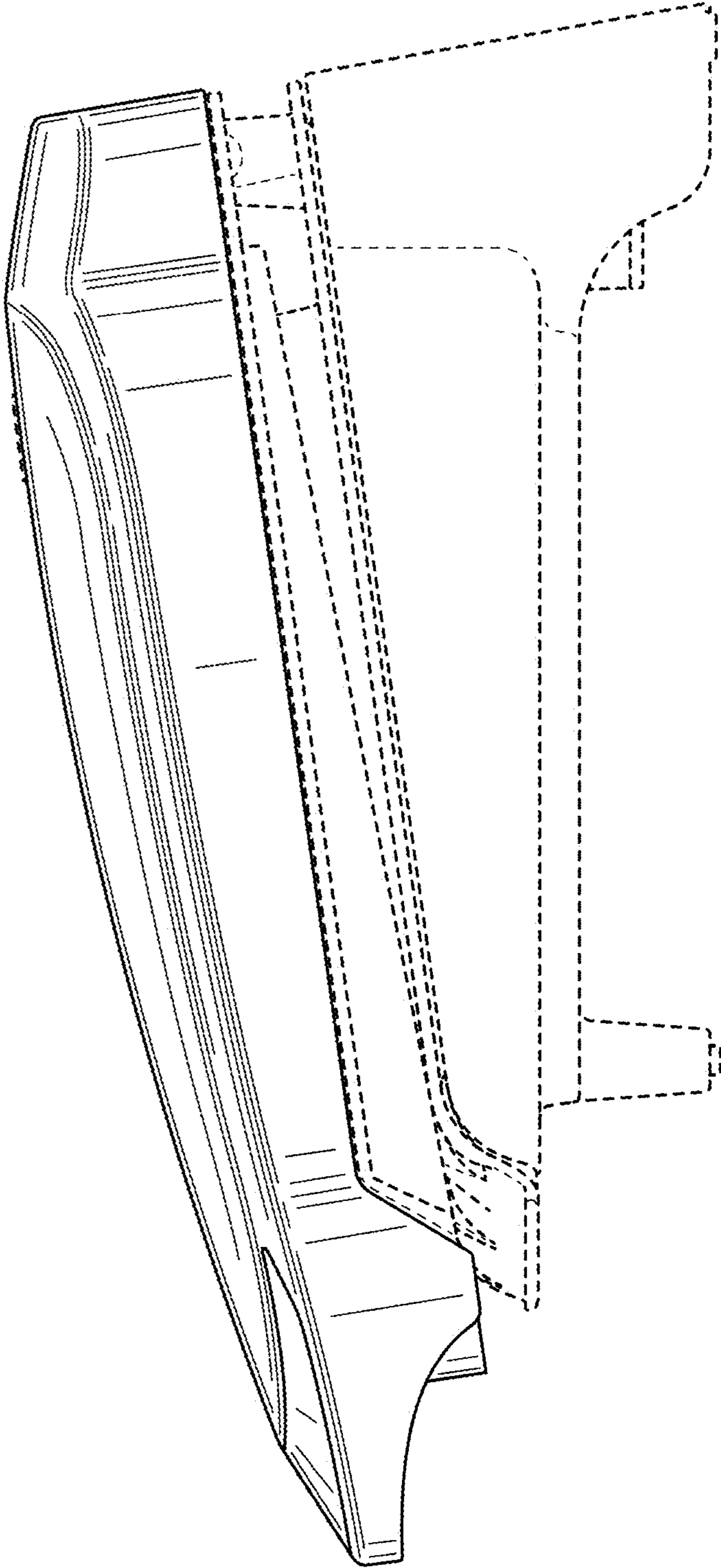


FIG. 6

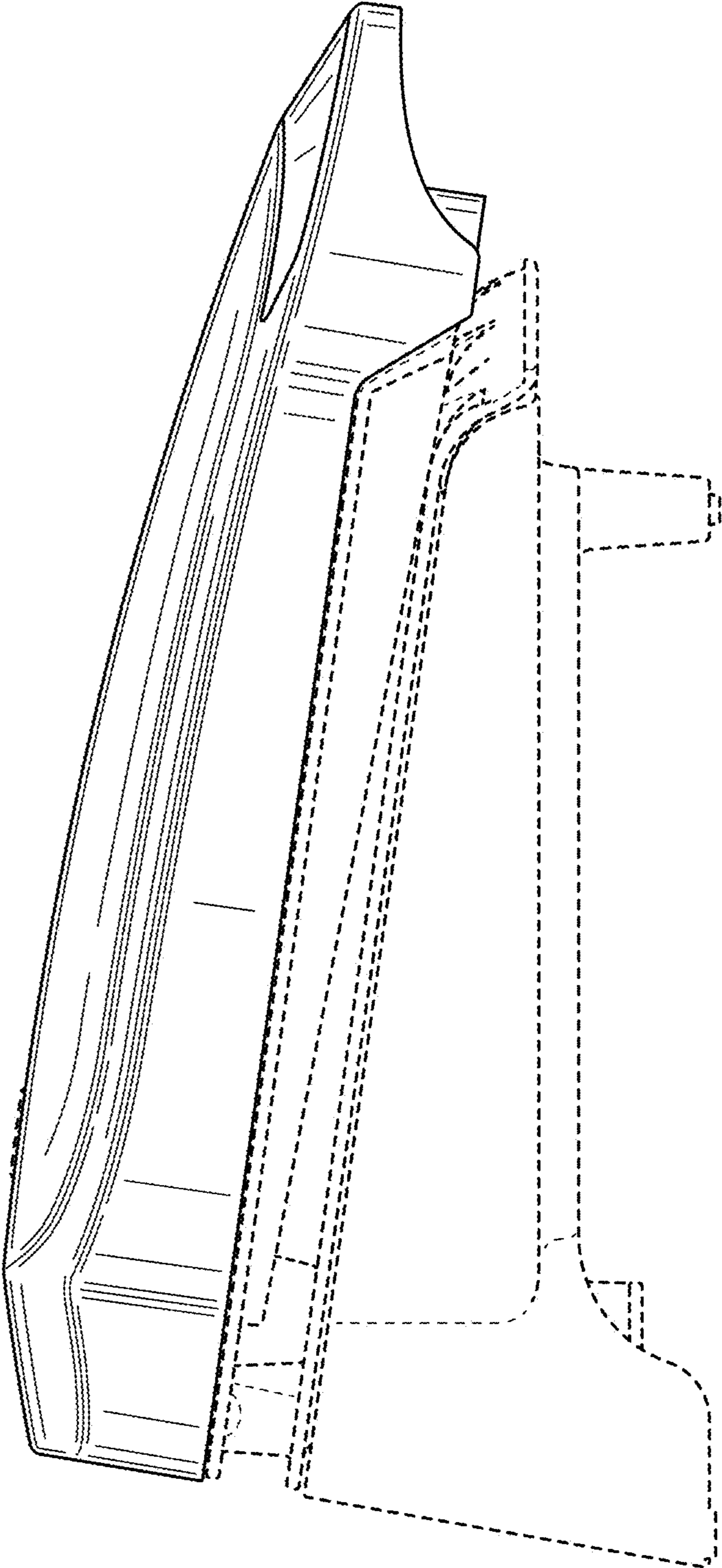


FIG. 7