



US00D719394S

(12) **United States Design Patent**  
**Inada**

(10) **Patent No.:** **US D719,394 S**

(45) **Date of Patent:** **\*\* Dec. 16, 2014**

(54) **BARBECUE GRILL**

(71) Applicant: **Iwatani Corporation**, Osaka (JP)

(72) Inventor: **Kenichiro Inada**, Osaka (JP)

(73) Assignee: **Iwatani Corporation**, Osaka (JP)

(\*\*) Term: **14 Years**

(21) Appl. No.: **29/481,781**

(22) Filed: **Feb. 10, 2014**

(30) **Foreign Application Priority Data**

Sep. 11, 2013 (JP) ..... 2013-20989

(51) **LOC (10) Cl.** ..... **07-02**

(52) **U.S. Cl.**  
USPC ..... **D7/334**

(58) **Field of Classification Search**  
USPC ..... D7/332, 334-337, 402-406; 126/25 R,  
126/25 A, 25 AA, 9 R, 38, 41 R, 40, 50, 276;  
99/449

See application file for complete search history.

(56) **References Cited**

**U.S. PATENT DOCUMENTS**

4,210,118 A \* 7/1980 Davis et al. .... 126/25 R  
D451,751 S \* 12/2001 Stewart et al. .... D7/334

6,422,230 B1 \* 7/2002 Stewart et al. .... 126/25 R  
D562,628 S \* 2/2008 Henley et al. .... D7/402  
D568,671 S \* 5/2008 Cheng ..... D7/337  
D615,799 S \* 5/2010 Best et al. .... D7/337  
D623,004 S \* 9/2010 Groth et al. .... D7/334  
D636,628 S \* 4/2011 Chung ..... D7/334  
7,958,882 B1 \* 6/2011 Sgourides ..... 126/9 R  
D658,927 S \* 5/2012 Mohr ..... D7/335  
D658,928 S \* 5/2012 Mohr ..... D7/335  
8,316,837 B2 \* 11/2012 Malumyan ..... 126/25 R  
D680,365 S \* 4/2013 Chung ..... D7/334  
D680,366 S \* 4/2013 Chung ..... D7/334  
2005/0252504 A1 \* 11/2005 Cabrera et al. .... 126/50

\* cited by examiner

*Primary Examiner* — Ruth McInroy

(74) *Attorney, Agent, or Firm* — Osha Liang LLP

(57) **CLAIM**

I claim the ornamental design for a barbecue grill, as shown and described.

**DESCRIPTION**

FIG. 1 is a perspective view of a barbecue grill showing my new design;

FIG. 2 is a front view thereof;

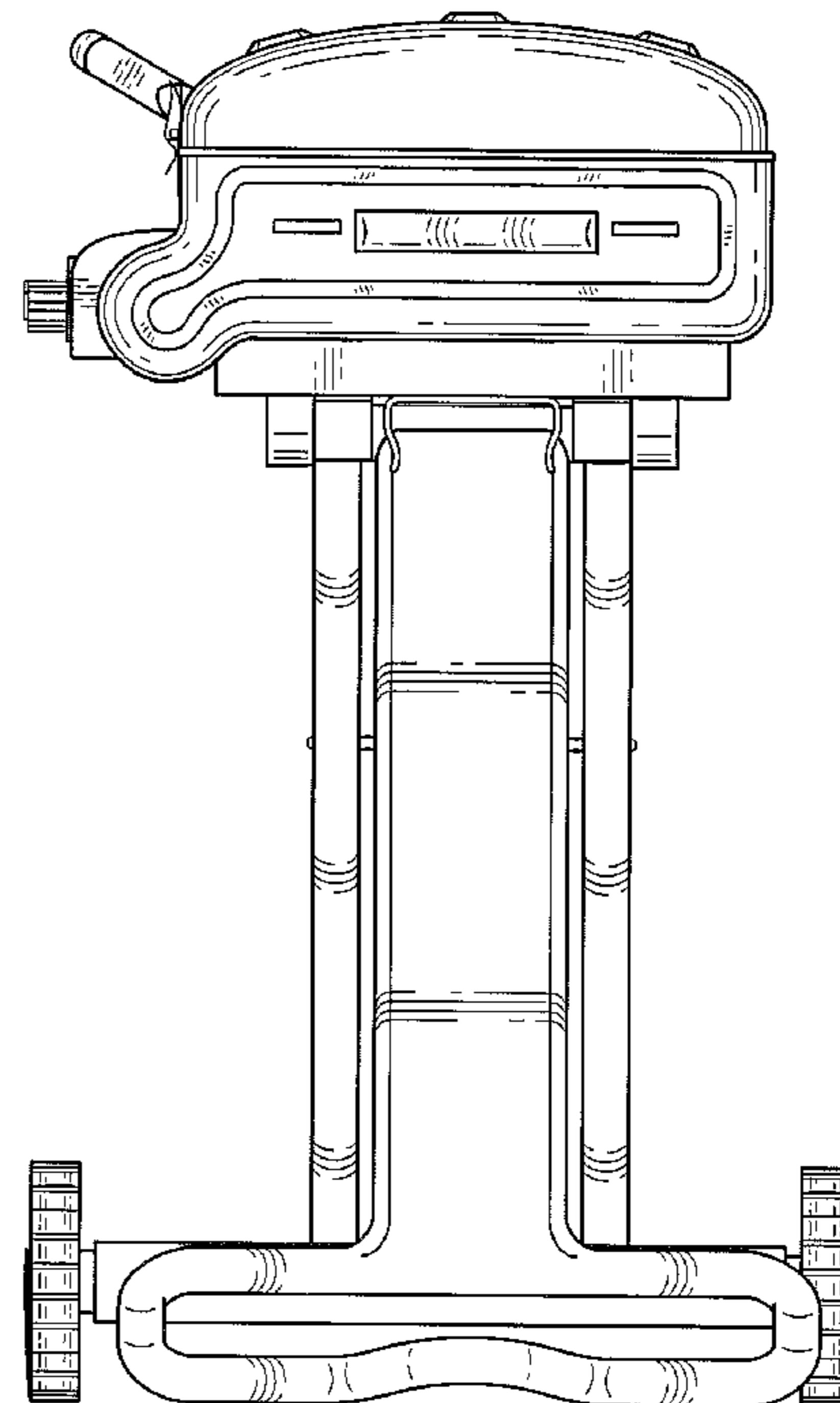
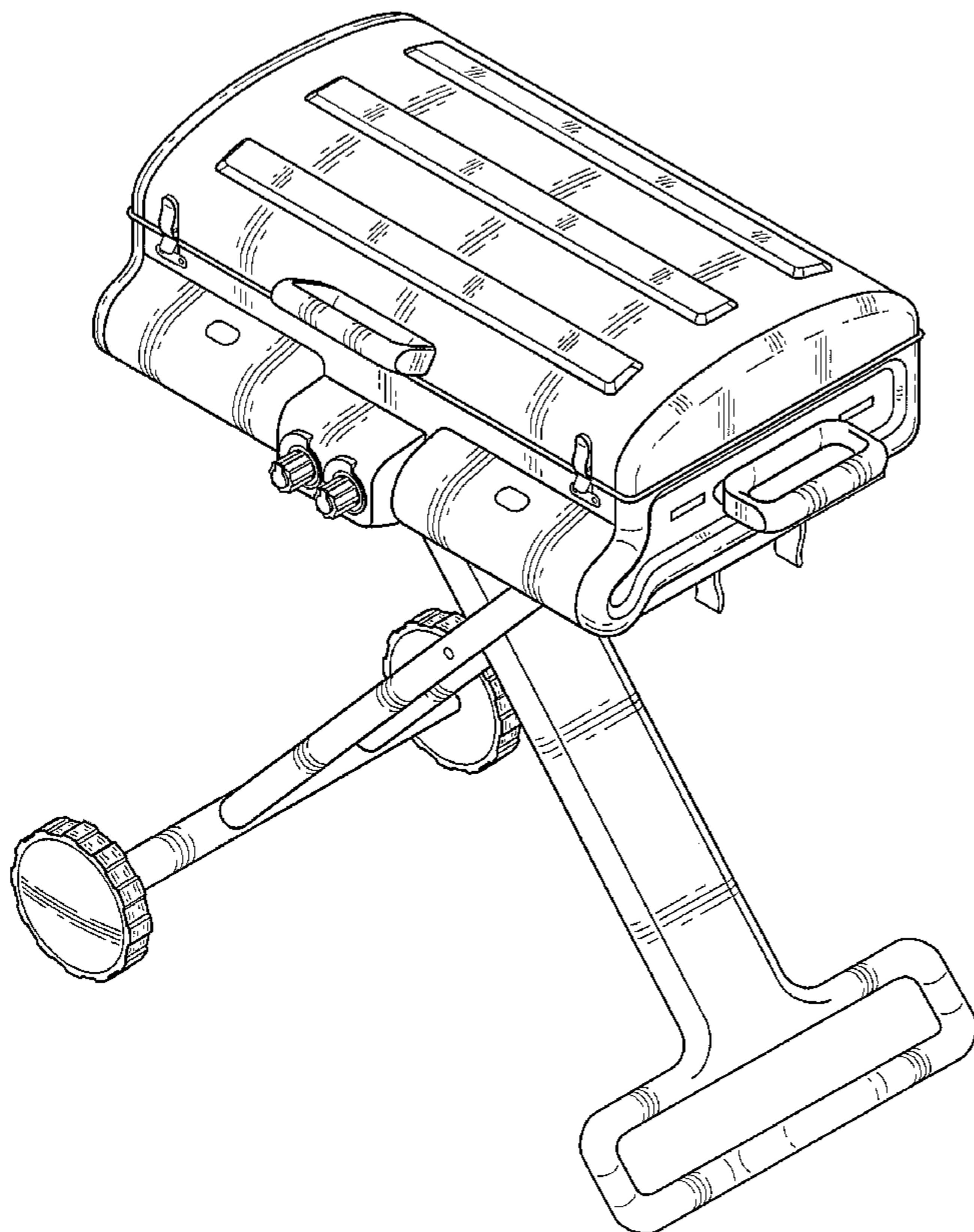
FIG. 3 is a rear view thereof;

FIG. 4 is a left side view thereof;

FIG. 5 is a right side view thereof; and,

FIG. 6 is a top view thereof.

**1 Claim, 6 Drawing Sheets**



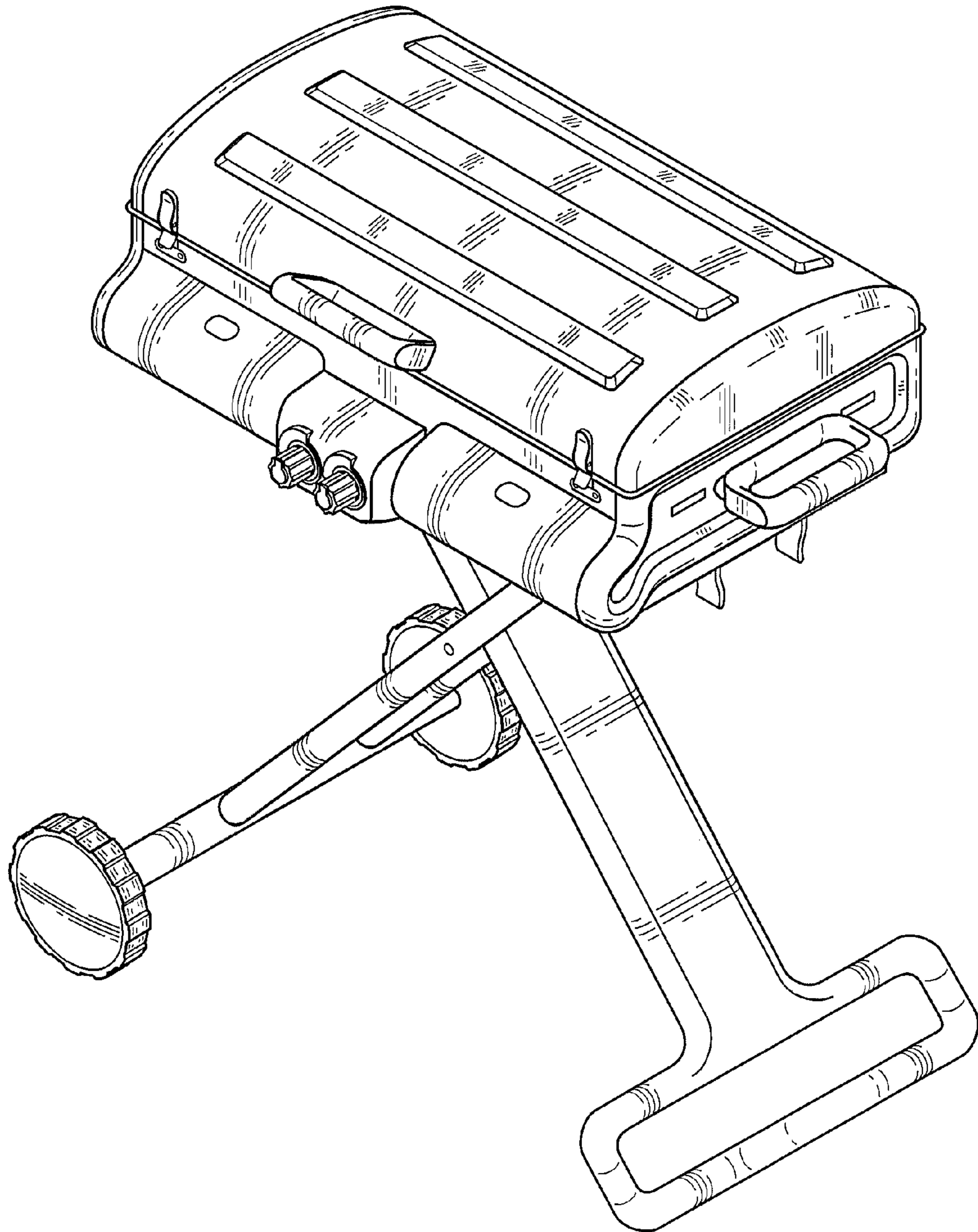


FIG. 1

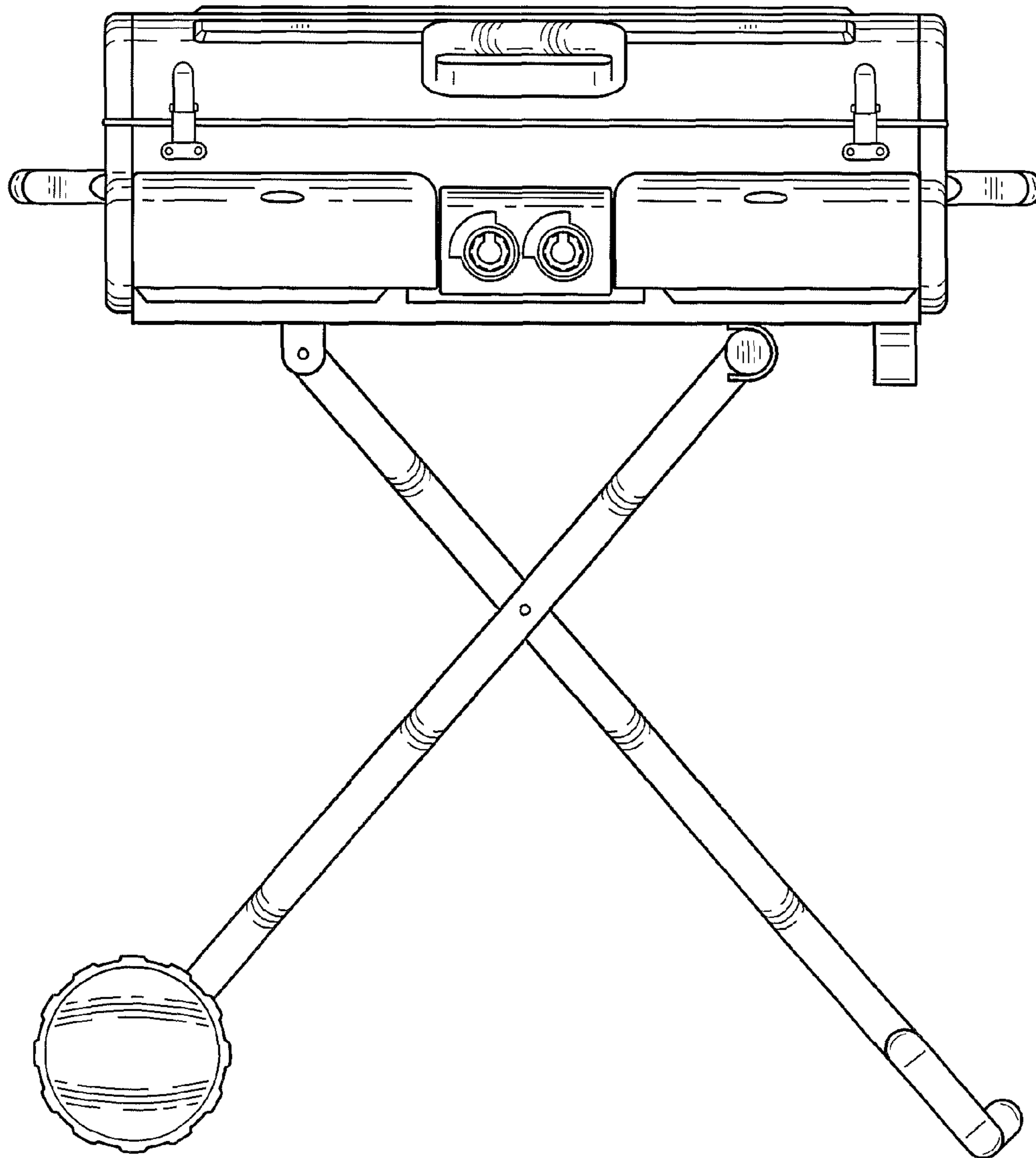


FIG. 2

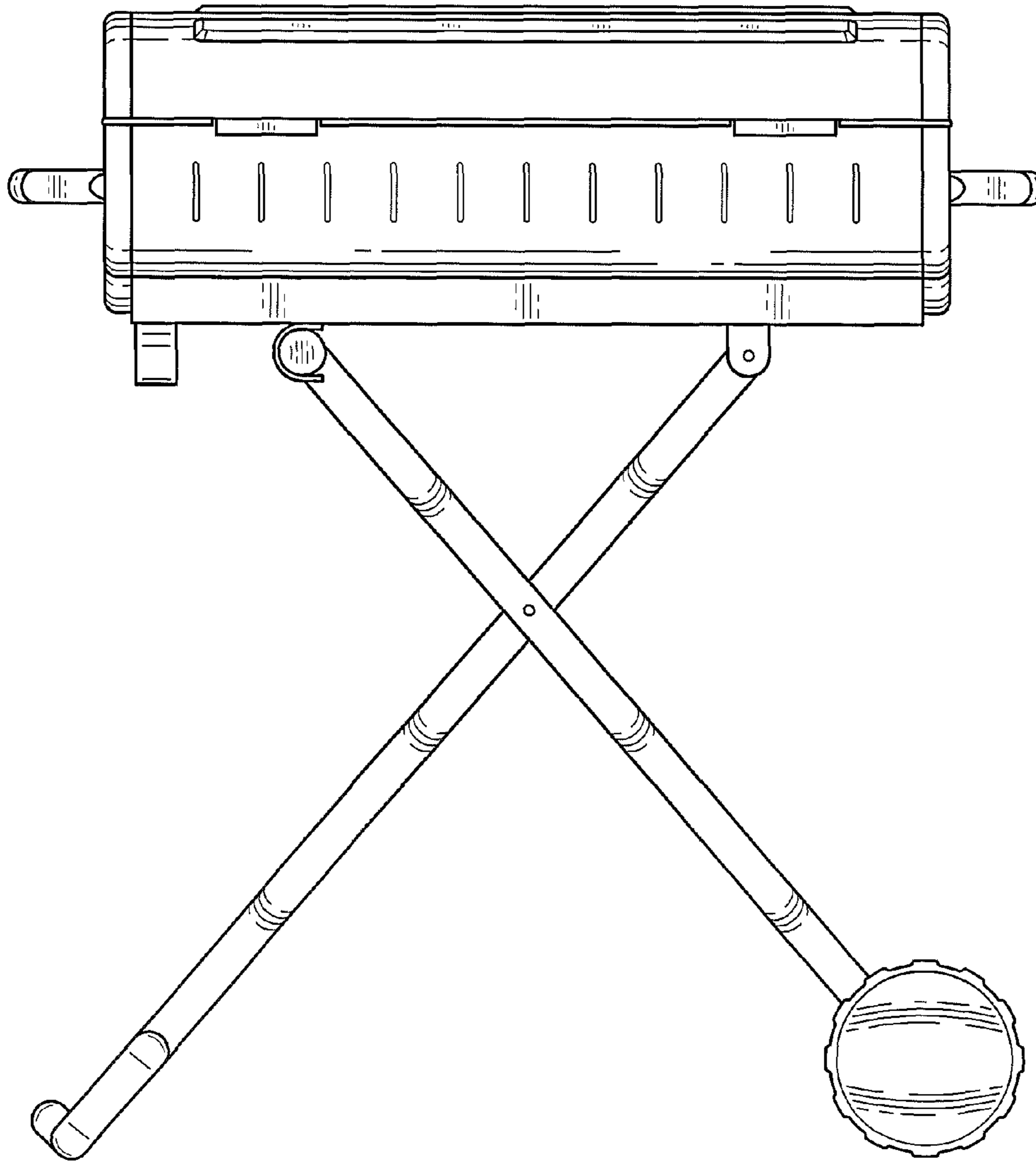


FIG. 3

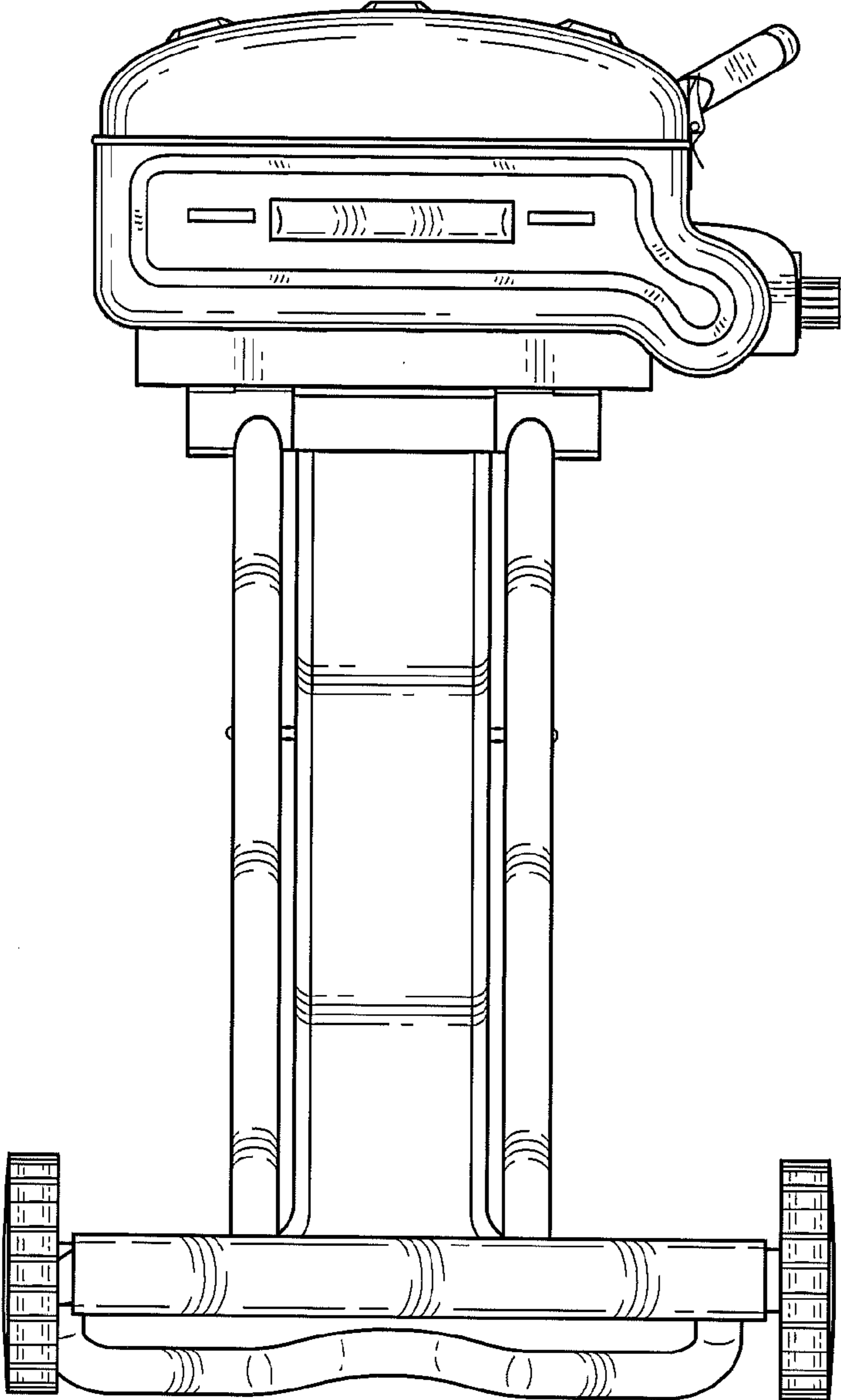


FIG. 4

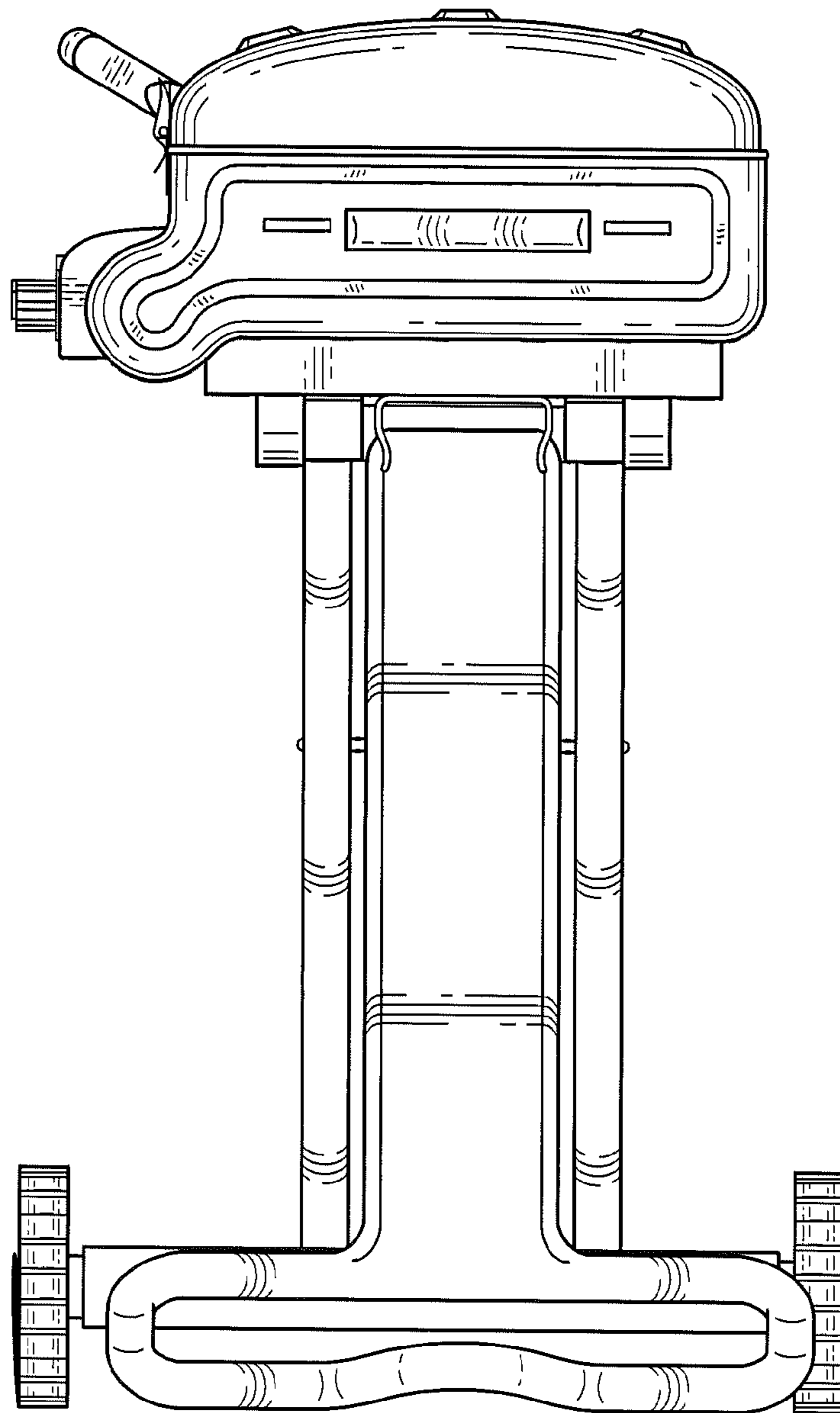


FIG. 5

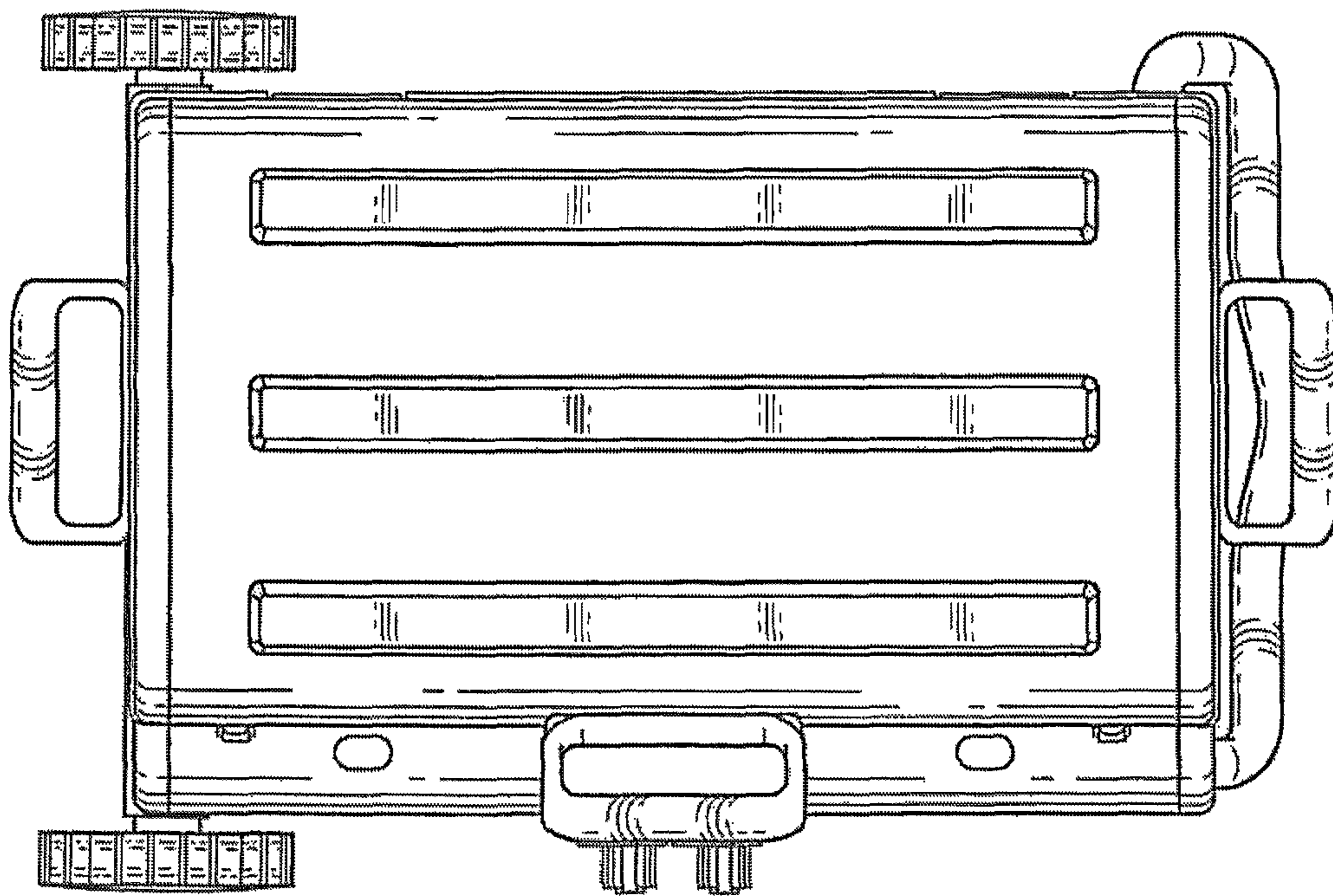


FIG. 6