



US00D719387S

(12) **United States Design Patent**
Biter et al.

(10) **Patent No.:** **US D719,387 S**

(45) **Date of Patent:** **** Dec. 16, 2014**

(54) **BED END**

FOREIGN PATENT DOCUMENTS

(71) Applicant: **Invacare Corporation**, Elyria, OH (US)

GB 855930 12/1960

JP 2002-327919 11/2002

(72) Inventors: **Jason Biter**, Medina, OH (US); **Kevin Wysocki**, Grafton, OH (US)

WO 2004037043 5/2004

WO 2005044053 5/2005

(73) Assignee: **Invacare Corporation**, Elyria, OH (US)

OTHER PUBLICATIONS

(**) Term: **14 Years**

Invacare Corporation—Product Catalog; website printout; “Universal Bed Ends;” http://www.invacare.com/cgi-bin/imhqprd/inv_search/search_redirect.jsp; 3 pages; copyright 2013.

(21) Appl. No.: **29/499,637**

(Continued)

(22) Filed: **Aug. 18, 2014**

Primary Examiner — Janice Seeger

(74) *Attorney, Agent, or Firm* — Calfee, Halter & Griswold LLP

Related U.S. Application Data

(62) Division of application No. 29/448,919, filed on Mar. 14, 2013, now Pat. No. Des. 711,177.

(51) **LOC (10) Cl.** **06-06**

(52) **U.S. Cl.**

USPC **D6/718.22**

(58) **Field of Classification Search**

USPC D6/382, 389, 392–395, 718, 718.13,
D6/718.2, 718.22; 5/53.1, 907, 279.1, 280,
5/281, 658, 663, 424, 285

See application file for complete search history.

(57) **CLAIM**

We claim the ornamental design for a bed end, as shown and described.

DESCRIPTION

FIG. 1 is a front perspective view of a bed end of the new design;

FIG. 2 is a right side elevational view of the bed end of FIG. 1;

FIG. 3 is a front elevational view of the bed end of FIG. 1;

FIG. 4 is a left side elevational view of the bed end of FIG. 1;

FIG. 5 is a rear elevational view of the bed end of FIG. 1;

FIG. 6 is a top plan view of the bed end of FIG. 1; and,

FIG. 7 is a bottom plan view of the bed end of FIG. 1.

The portions of the Figures shown in broken lines are for illustrative purpose only and form no part of the claimed design.

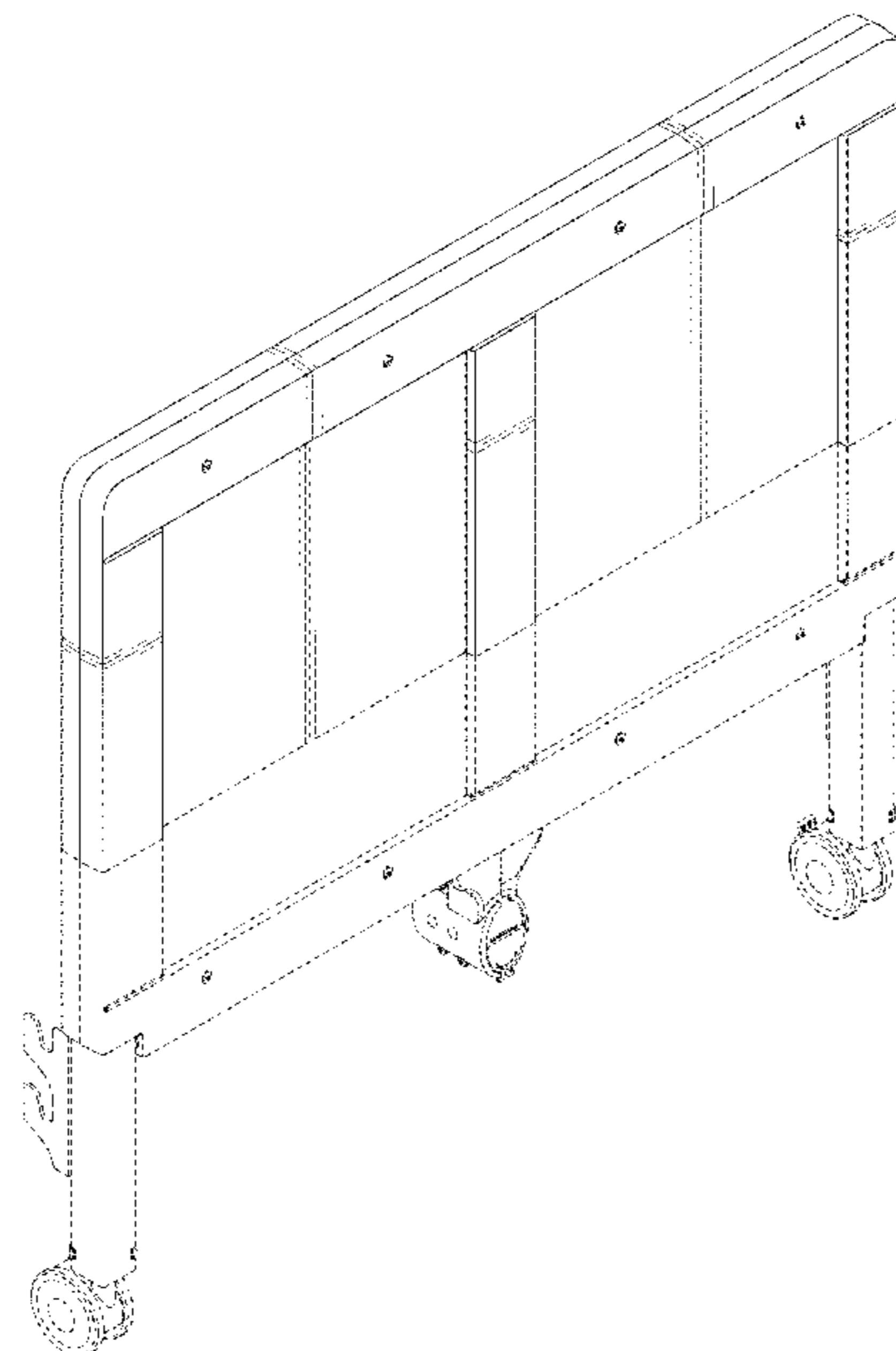
(56) **References Cited**

U.S. PATENT DOCUMENTS

166,102 A	7/1875	Hennanan et al.
1,275,695 A	8/1918	Iverson
D106,301 S	10/1937	Krick
2,522,759 A	9/1950	Lindquist
2,791,129 A	5/1957	Russell
2,958,438 A	11/1960	Severson
3,015,113 A	1/1962	Wallen
3,105,246 A	10/1963	Emrick

(Continued)

1 Claim, 4 Drawing Sheets



(56)

References Cited

U.S. PATENT DOCUMENTS

3,669,440 A 6/1972 Kartasuk et al.
4,364,282 A 12/1982 Nilsson
4,660,236 A 4/1987 Peterson
4,846,011 A 7/1989 Gaffney
5,134,731 A 8/1992 Quintile et al.
D370,135 S 5/1996 Meiners
5,685,035 A 11/1997 Umess et al.
5,704,249 A 1/1998 Krauska
5,713,091 A 2/1998 Houchin
5,802,639 A 9/1998 Raasch et al.
5,964,347 A 10/1999 Umess
6,000,077 A 12/1999 Cyr
6,230,344 B1 5/2001 Thompson et al.
6,983,495 B2 1/2006 Snyder et al.
6,997,082 B2 2/2006 Snyder et al.

D528,323 S 9/2006 Kassai et al.
7,302,716 B2 12/2007 Snyder et al.
D640,889 S 7/2011 Wahl et al.
D711,177 S * 8/2014 Biter et al. D6/718.22

OTHER PUBLICATIONS

Invacare Corporation—Product Catalog; webcite printout; “Bed Ends;” [http://www.invacare.com/cgi-bin/imhqprd/inv_search/search_results_products.jsp?s=&s . . .](http://www.invacare.com/cgi-bin/imhqprd/inv_search/search_results_products.jsp?s=&s...); 3 pages; copyright 2013.
Invacare; Electric and Manual Beds; Service Manual; Form No. 93-152; P/N. 51000M493; Rev. H (3) 599.
Invacare—Part Catalog—Homecare Beds (Manual, Semi-Electric, Full Electric); Apr. 11, 2013; Form No. 90-147; 83 pages.
IVC Bed Series—Owner’s Operator and Maintenance Manual; Full Electric Beds, Semi-Electric Beds, Manual Beds; Part No. 1114836; Rev F—08/08; 40 pages.

* cited by examiner

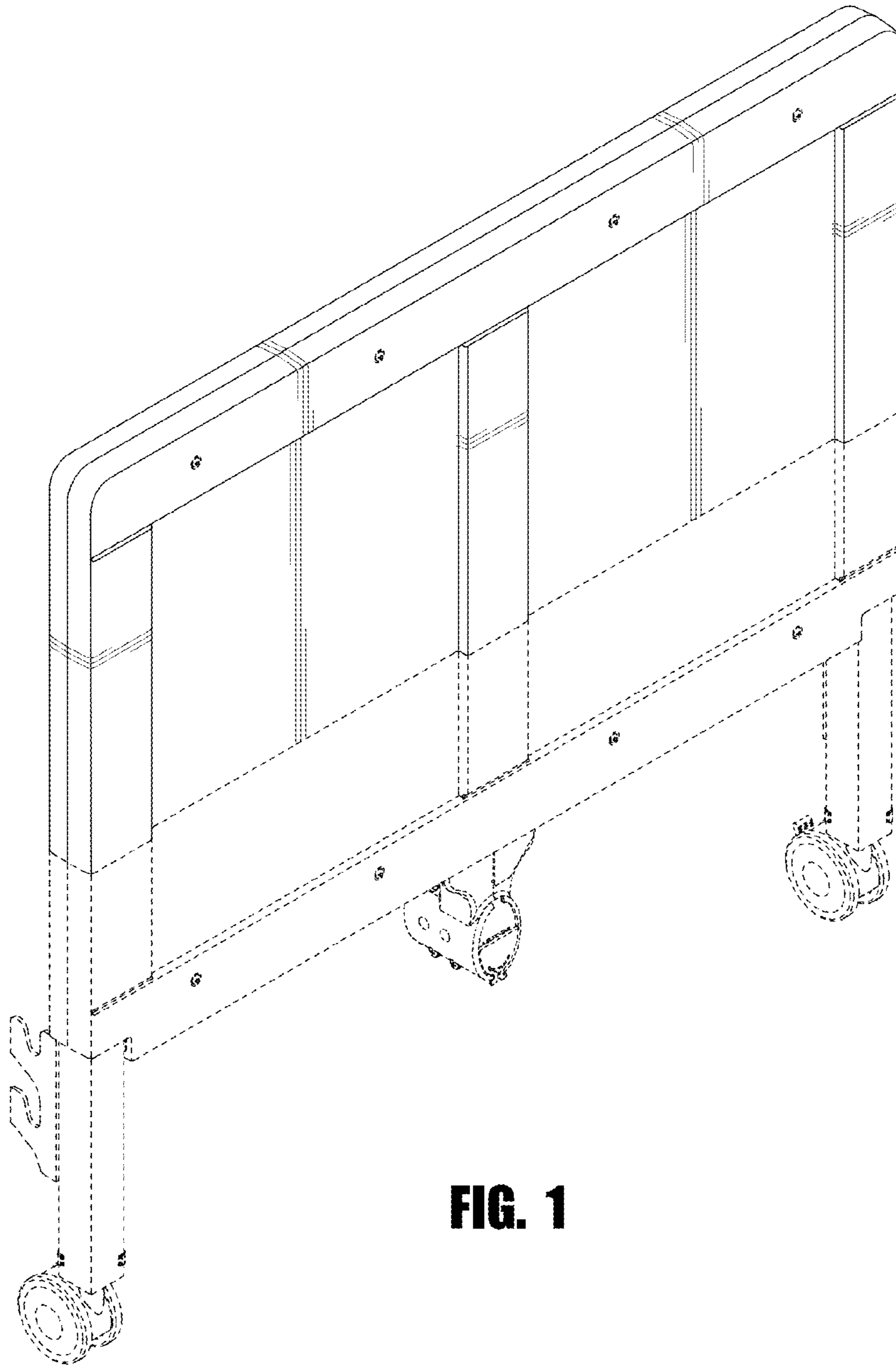


FIG. 1

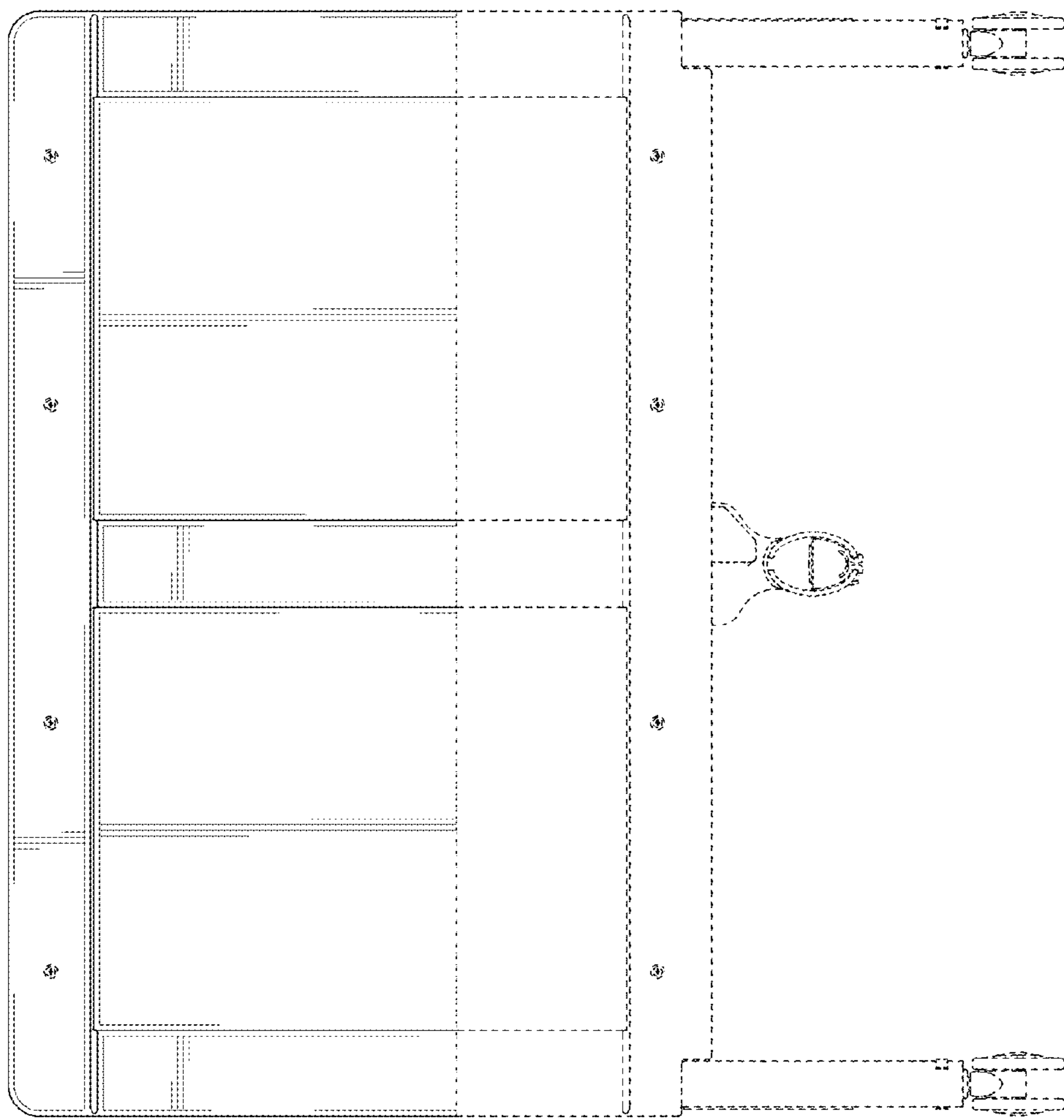


FIG. 3

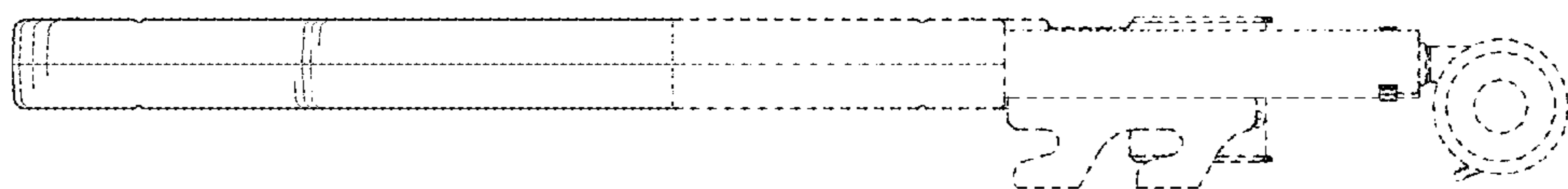


FIG. 2

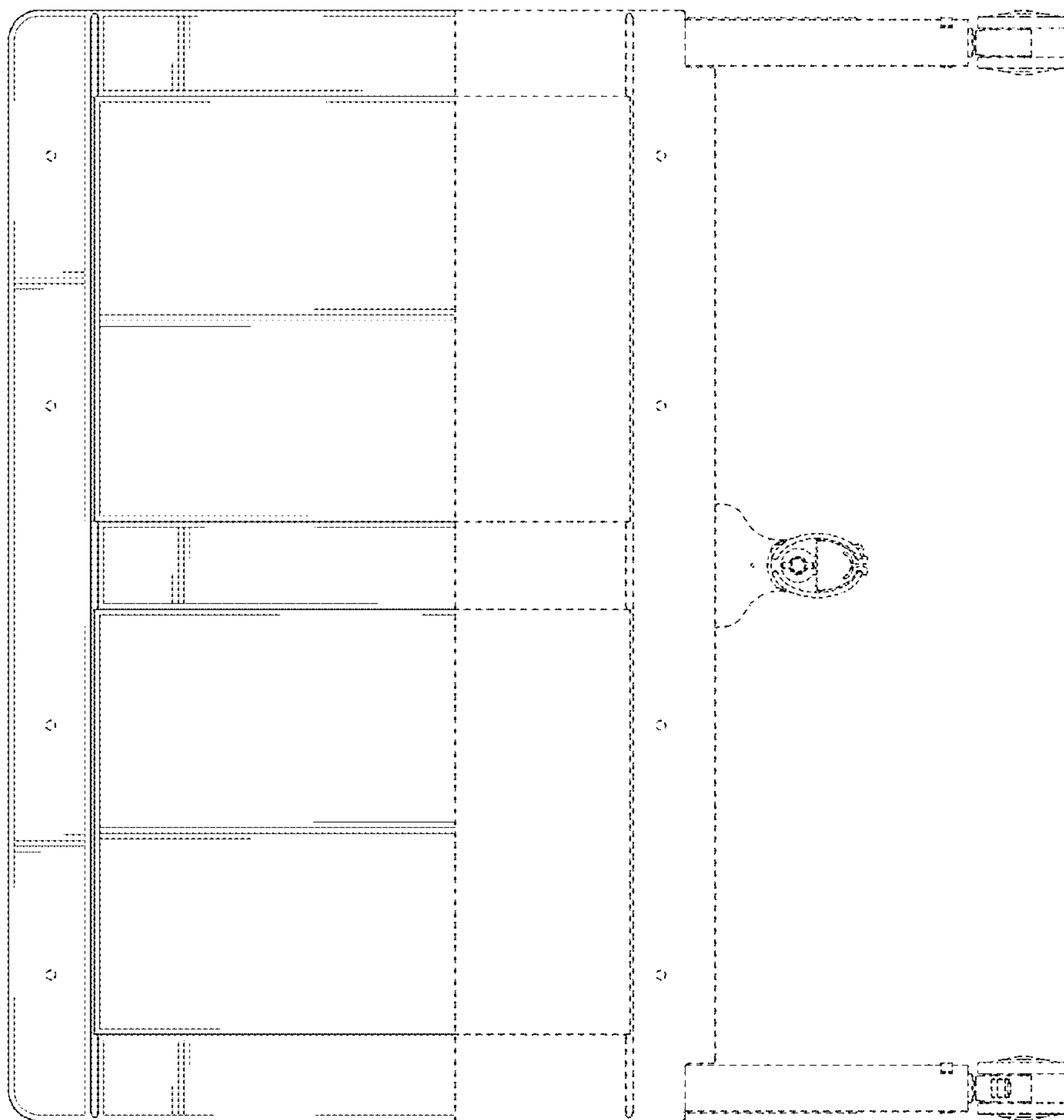


FIG. 5



FIG. 4

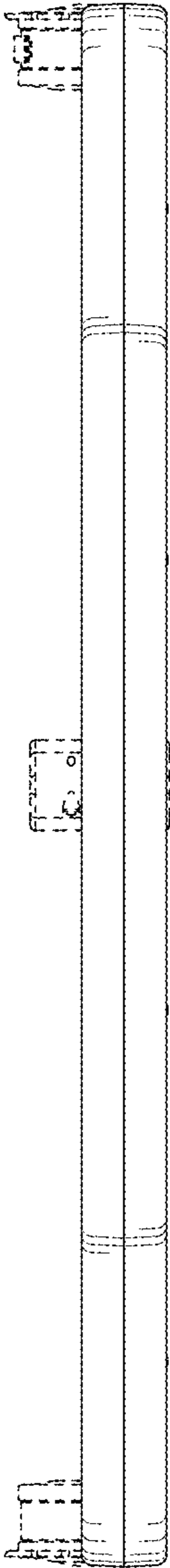


FIG. 6

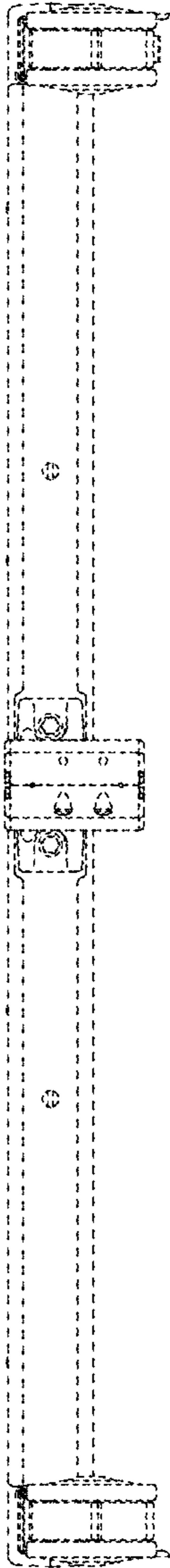


FIG. 7