



US00D719386S

(12) **United States Design Patent**  
**Mueller et al.**

(10) **Patent No.:** **US D719,386 S**

(45) **Date of Patent:** **\*\* Dec. 16, 2014**

(54) **SET OF TABLE LEGS**

(71) Applicant: **Steelcase Werndl AG**, Rosenheim (DE)

(72) Inventors: **Karl-Heinz Mueller**, Prutting (DE);  
**John Small**, London (GB)

(73) Assignee: **Steelcase Werndl AG**, Rosenheim (DE)

(\*\*) Term: **14 Years**

(21) Appl. No.: **29/450,630**

(22) Filed: **Mar. 20, 2013**

(30) **Foreign Application Priority Data**

Sep. 20, 2012 (EP) ..... 001345474-0003

(51) **LOC (10) Cl.** ..... **06-06**

(52) **U.S. Cl.**  
USPC ..... **D6/709**

(58) **Field of Classification Search**  
USPC ..... D6/702, 709, 656.16, 656.17;  
108/50.01, 50.02, 153.1, 156, 157.1,  
108/161, 144.11, 146, 147.19; 248/188,  
248/188.1, 188.7, 188.8  
See application file for complete search history.

(56) **References Cited**

**U.S. PATENT DOCUMENTS**

D237,660 S 11/1975 Bertleson  
D248,139 S 6/1978 Petersen  
4,679,510 A \* 7/1987 Veyhl et al. .... 108/152  
4,981,085 A \* 1/1991 Watt ..... 108/147

5,259,326 A 11/1993 Borgman et al.  
D360,325 S 7/1995 Gutgsell  
D372,135 S 7/1996 Lee et al.  
5,845,590 A \* 12/1998 Seidl ..... 108/147  
6,360,675 B1 \* 3/2002 Jones ..... 108/50.02  
D468,139 S 1/2003 Strong  
D517,355 S 3/2006 Strong  
D527,930 S 9/2006 Aslle et al.  
D529,734 S 10/2006 Astle et al.  
D553,883 S 10/2007 DeJule  
D644,046 S 8/2011 Cronk  
2004/0135045 A1 \* 7/2004 Larson ..... 248/188.1

\* cited by examiner

*Primary Examiner* — Janice Seeger

(74) *Attorney, Agent, or Firm* — Price Heneveld LLP

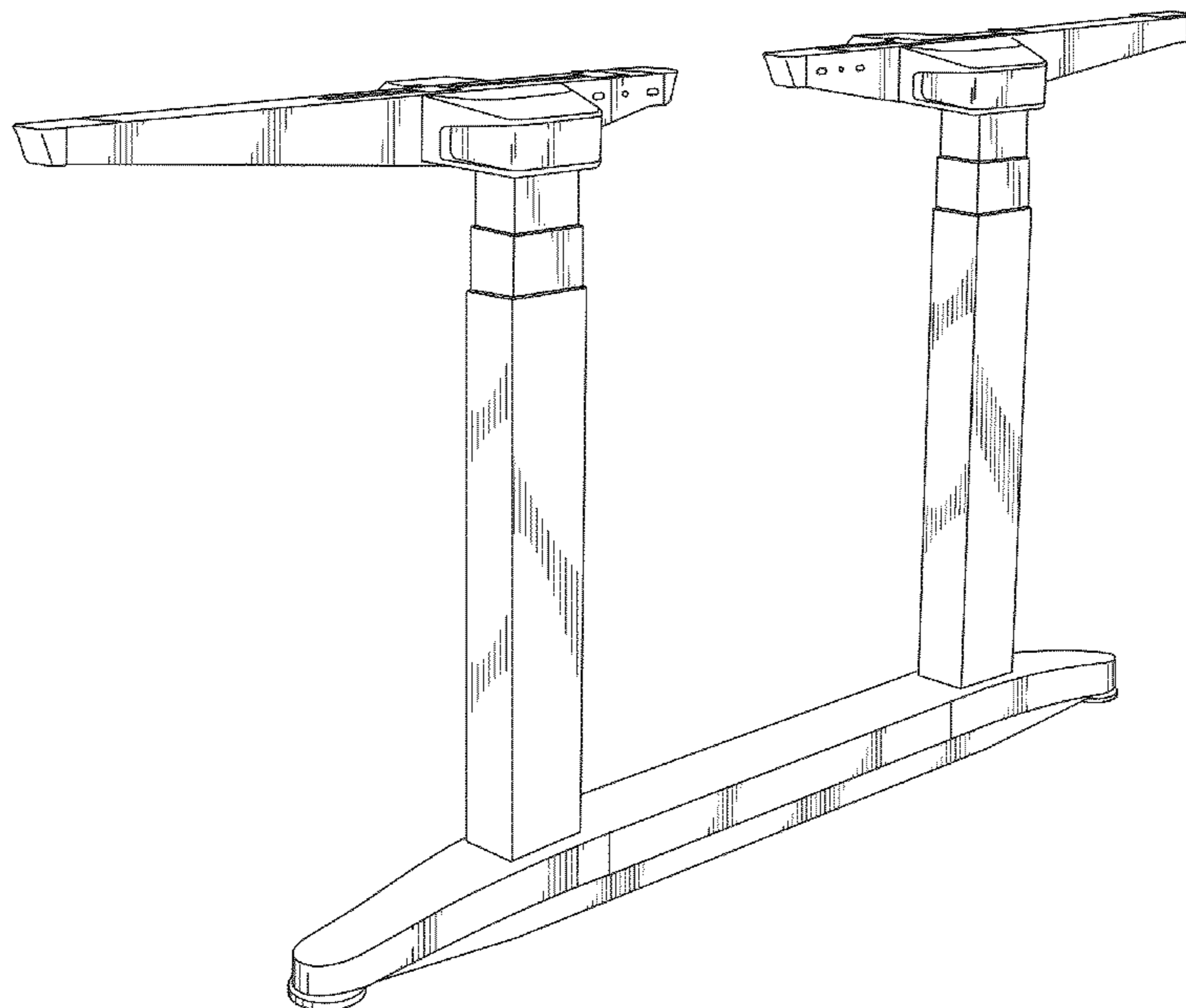
(57) **CLAIM**

The ornamental design for a set of table legs, as shown and described.

**DESCRIPTION**

FIG. 1 is a front view of a set of table legs according to our new ornamental design;  
FIG. 2 is a front perspective view thereof;  
FIG. 3 is a fragmentary top perspective view thereof;  
FIG. 4 is an enlarged fragmentary top view thereof;  
FIG. 5 is a rear view thereof;  
FIG. 6 is another front perspective view thereof, similar to FIG. 2, but with the left leg in a raised position; and,  
FIG. 7 is another top perspective view thereof, similar to FIG. 3, but with the left leg in a raised position.

**1 Claim, 7 Drawing Sheets**



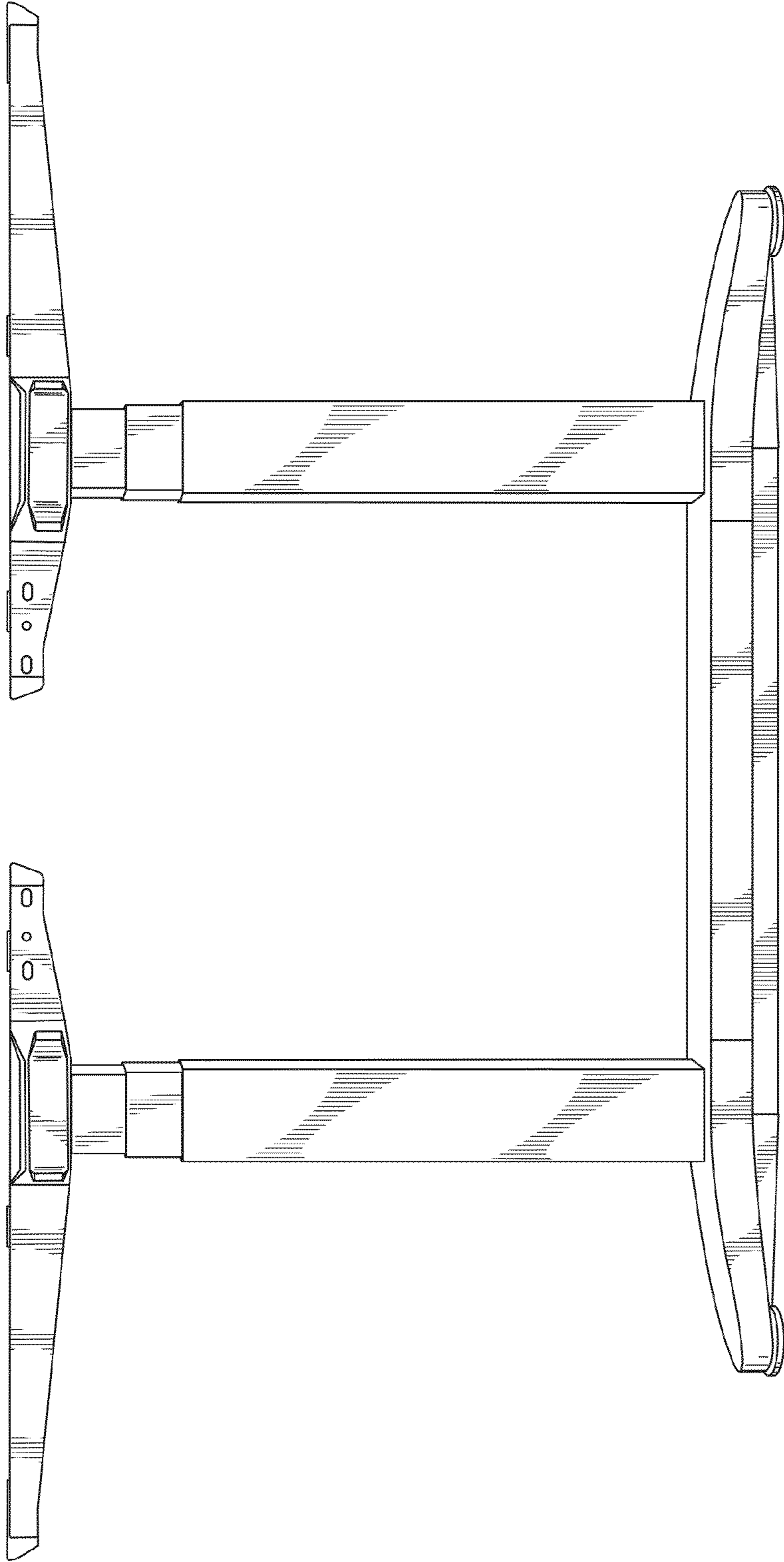


Fig. 1

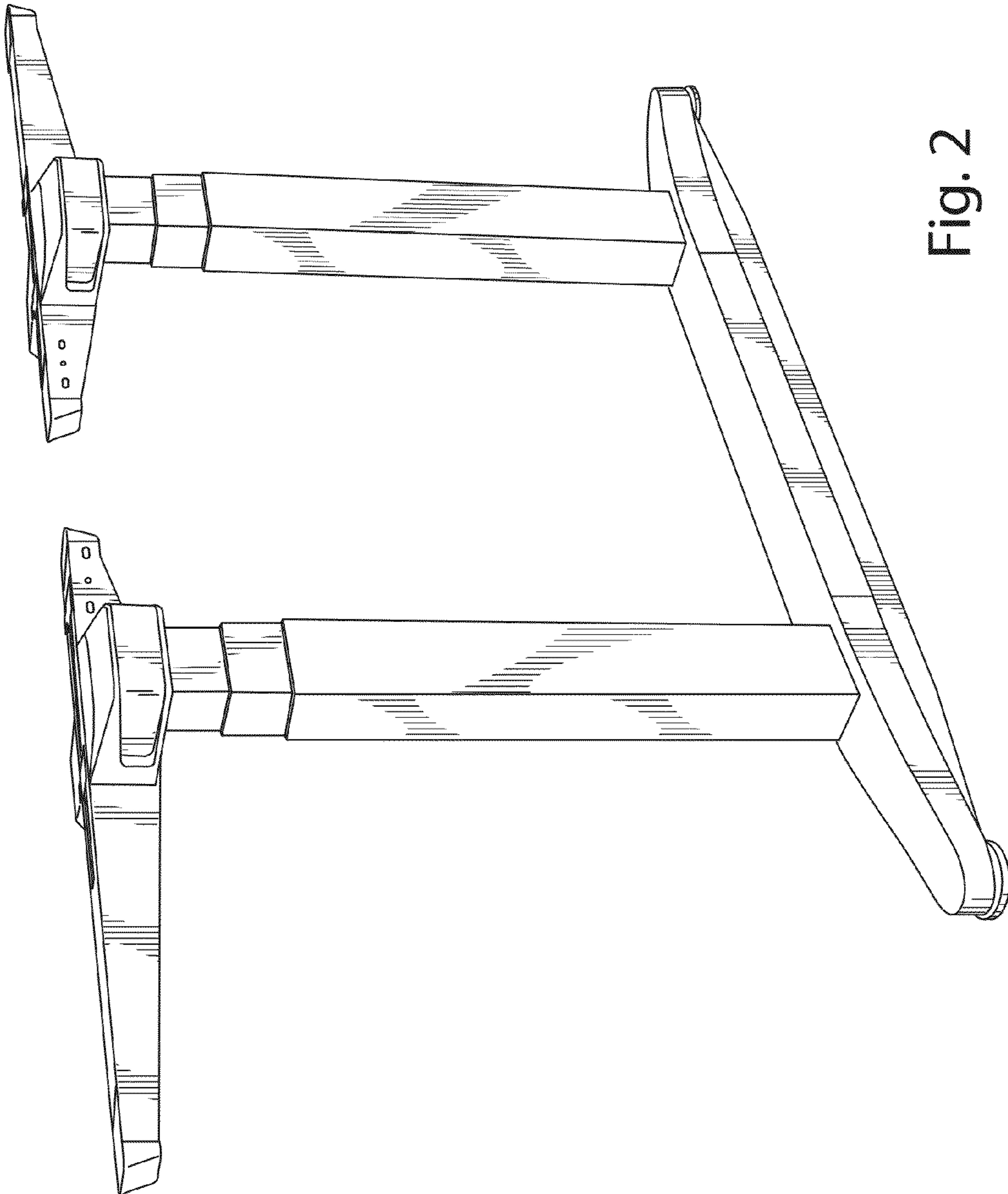


Fig. 2

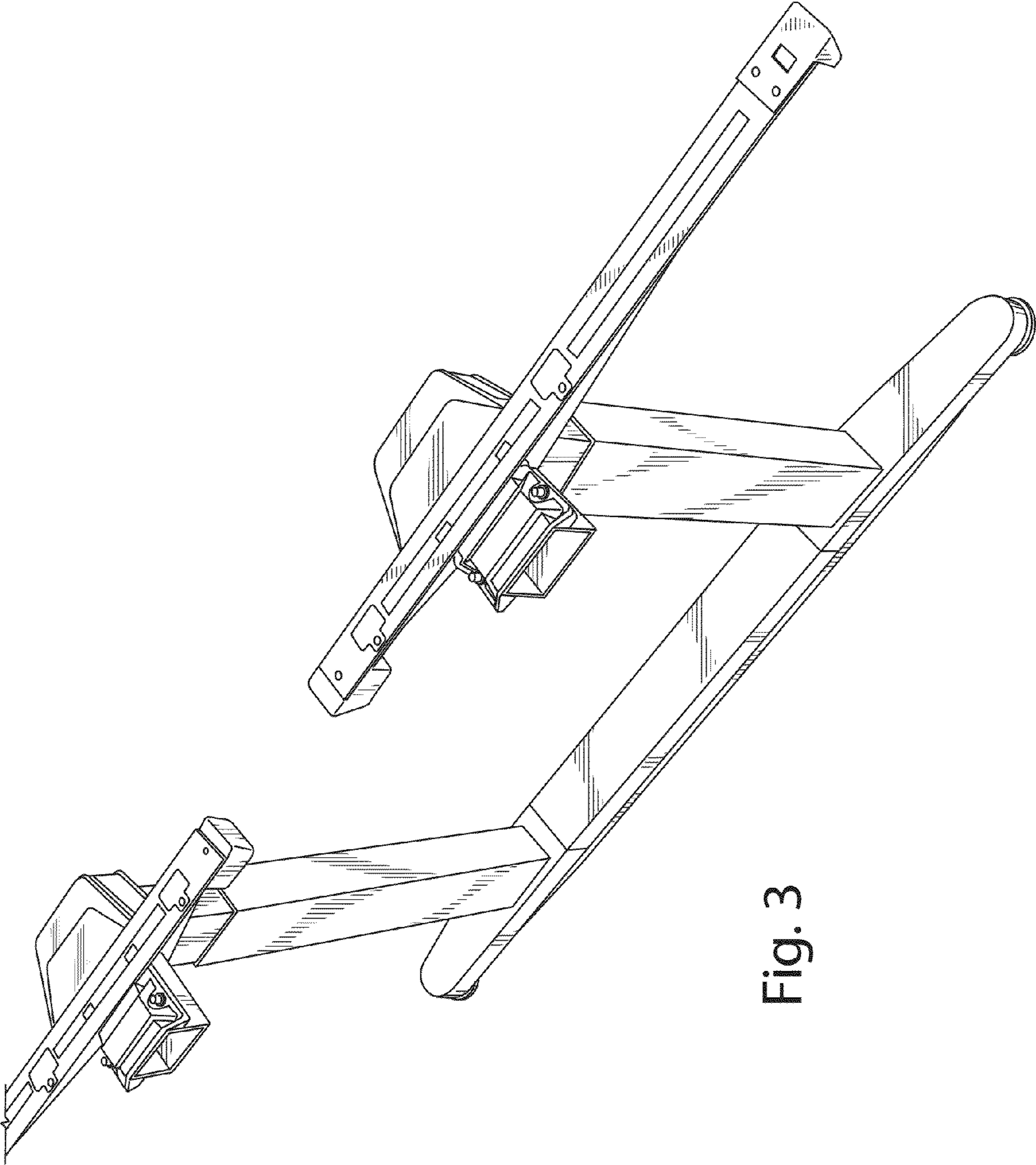


Fig. 3

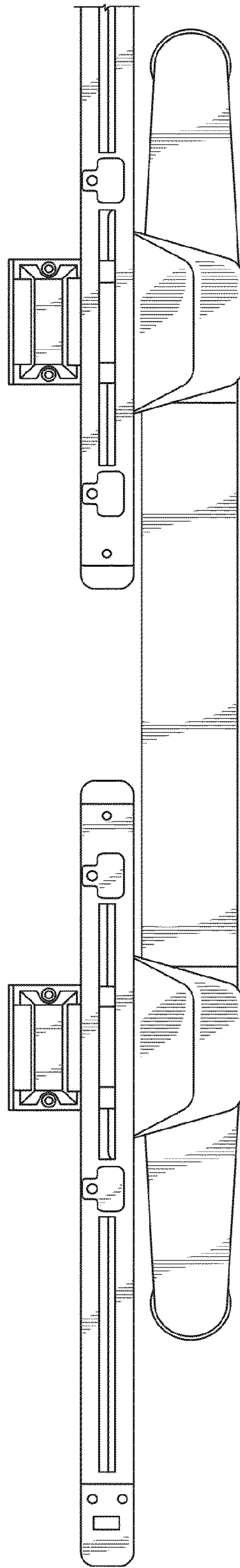


Fig. 4

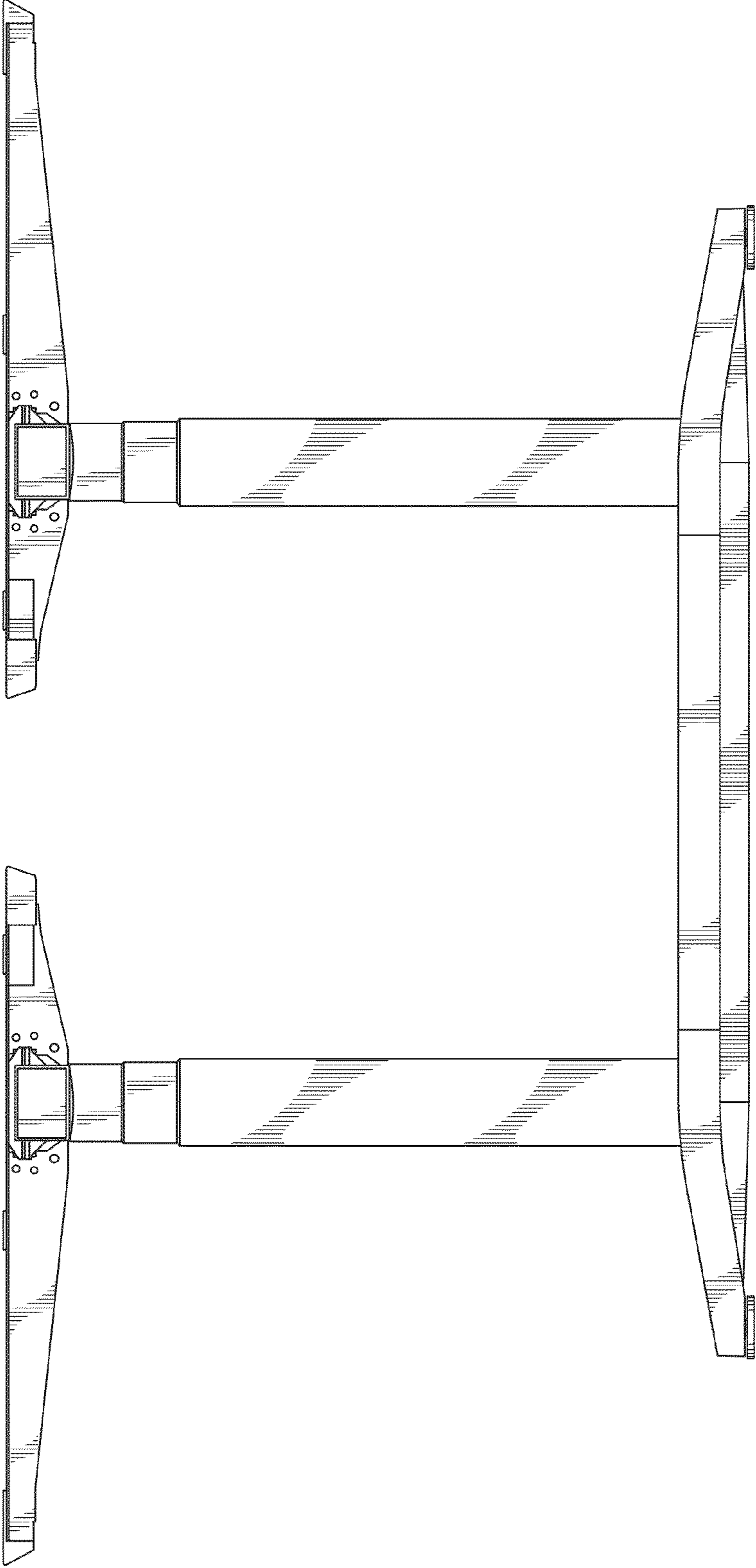


Fig. 5

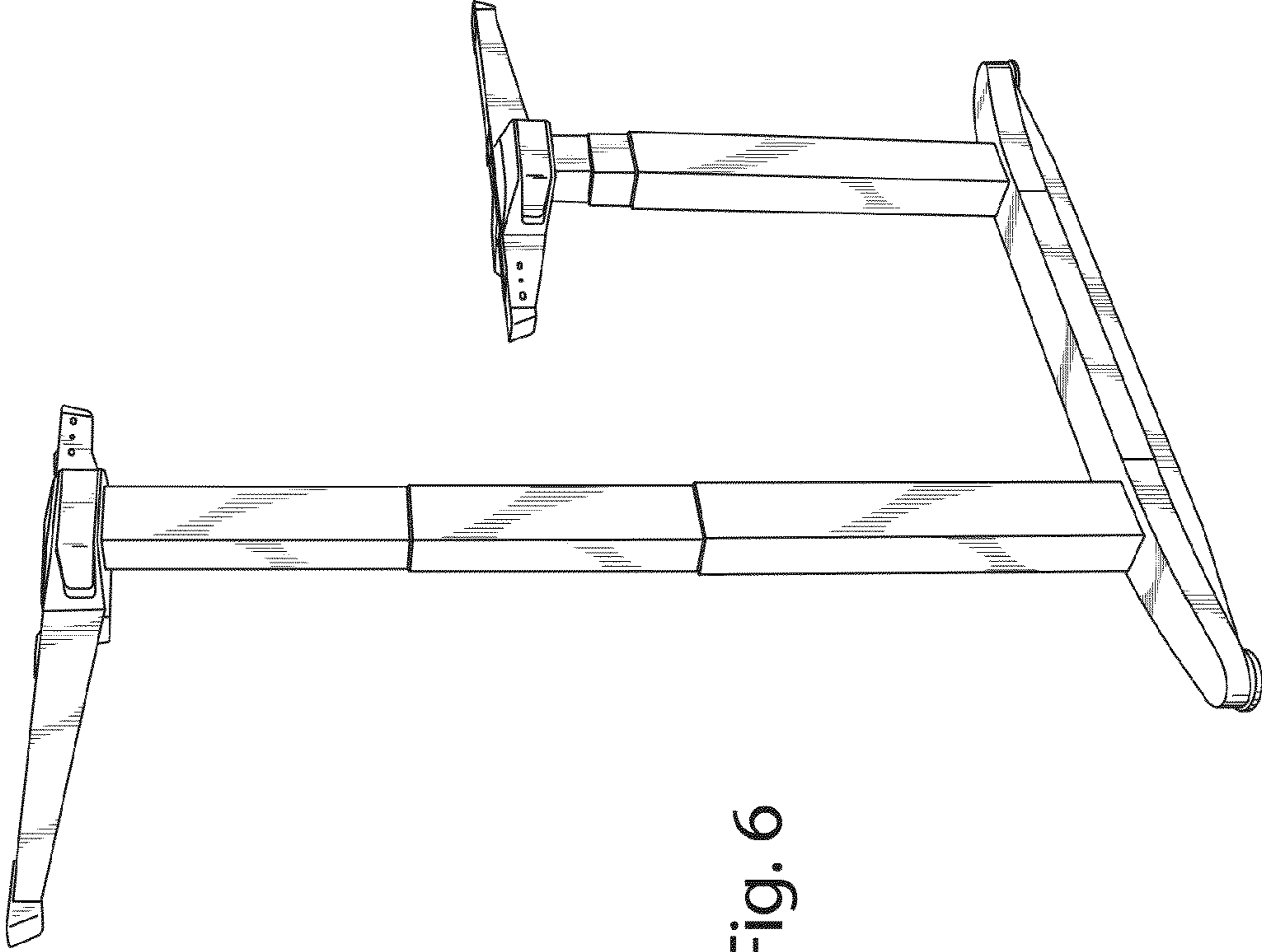


Fig. 6

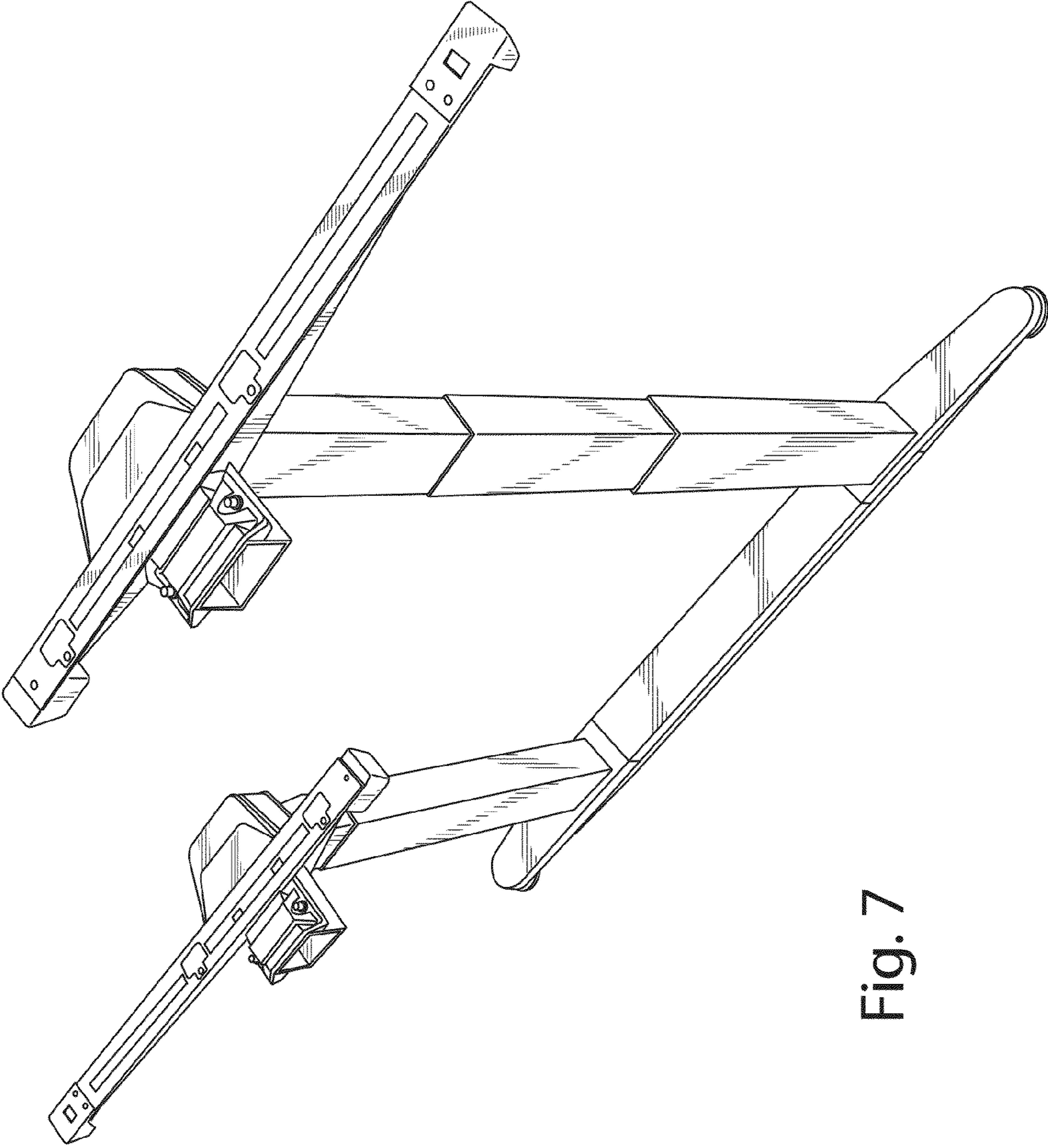


Fig. 7