



US00D719385S

(12) **United States Design Patent**
Watson

(10) **Patent No.:** **US D719,385 S**

(45) **Date of Patent:** **** Dec. 16, 2014**

(54) **ADJUSTABLE TABLE**

(71) Applicant: **Matthew Alford Watson**, Tyler, TX
(US)

(72) Inventor: **Matthew Alford Watson**, Tyler, TX
(US)

(73) Assignee: **Matthew Alford Watson**, Tyler, TX
(US)

(**) Term: **14 Years**

(21) Appl. No.: **29/442,062**

(22) Filed: **Nov. 29, 2012**

(51) **LOC (10) Cl.** **06-06**

(52) **U.S. Cl.**
USPC **D6/708**

(58) **Field of Classification Search**
USPC D6/691, 691.8, 691.9, 691.3, 708,
D6/708.16, 688, 708.1; 108/151, 153.1,
108/155, 156, 157.1, 158.12, 161; 248/188,
248/188.1

See application file for complete search history.

(56) **References Cited**

U.S. PATENT DOCUMENTS

D140,134 S * 1/1945 Whitehead D6/451
D651,431 S * 1/2012 Udagawa et al. D6/495

* cited by examiner

Primary Examiner — Janice Seeger

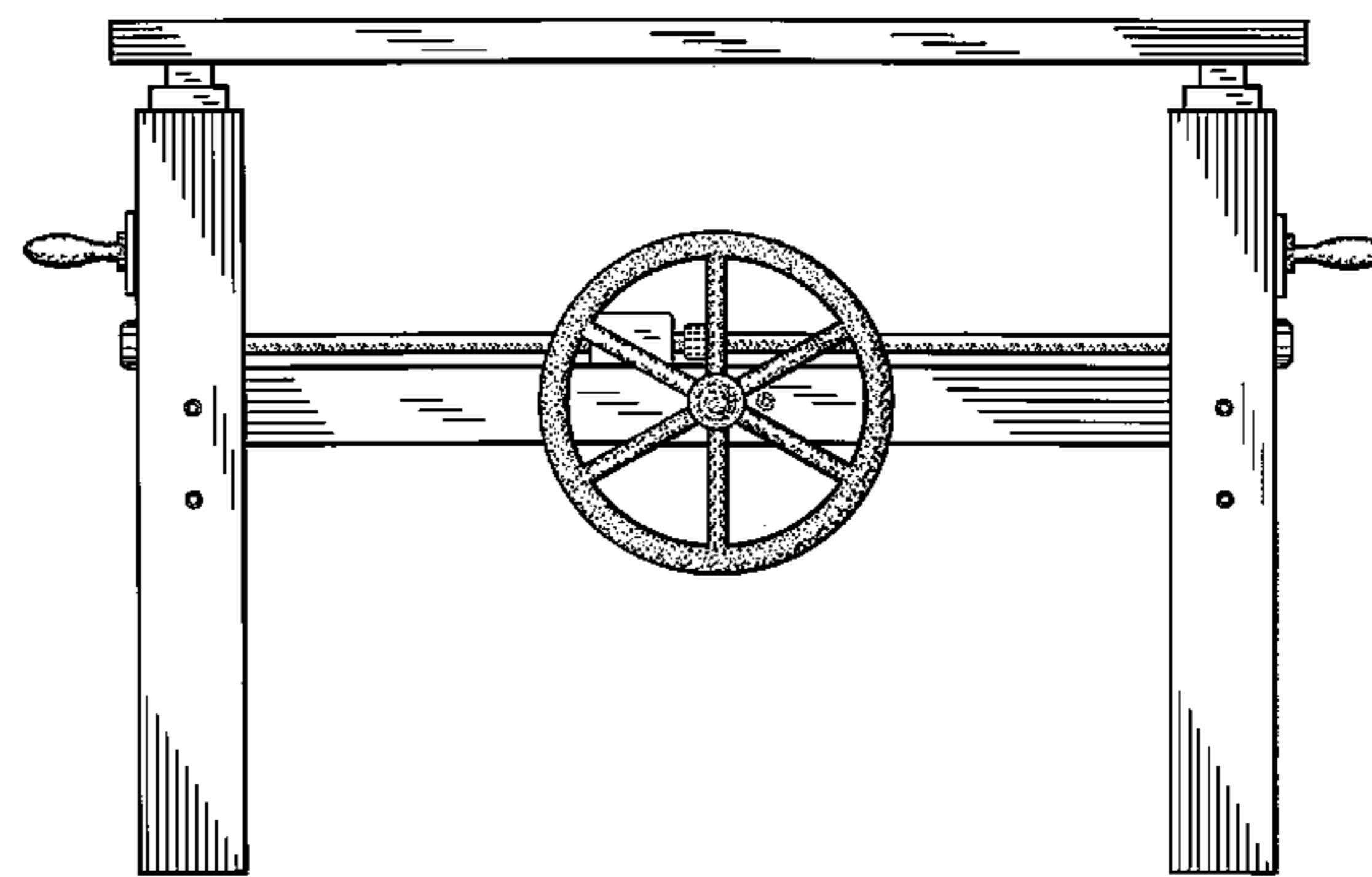
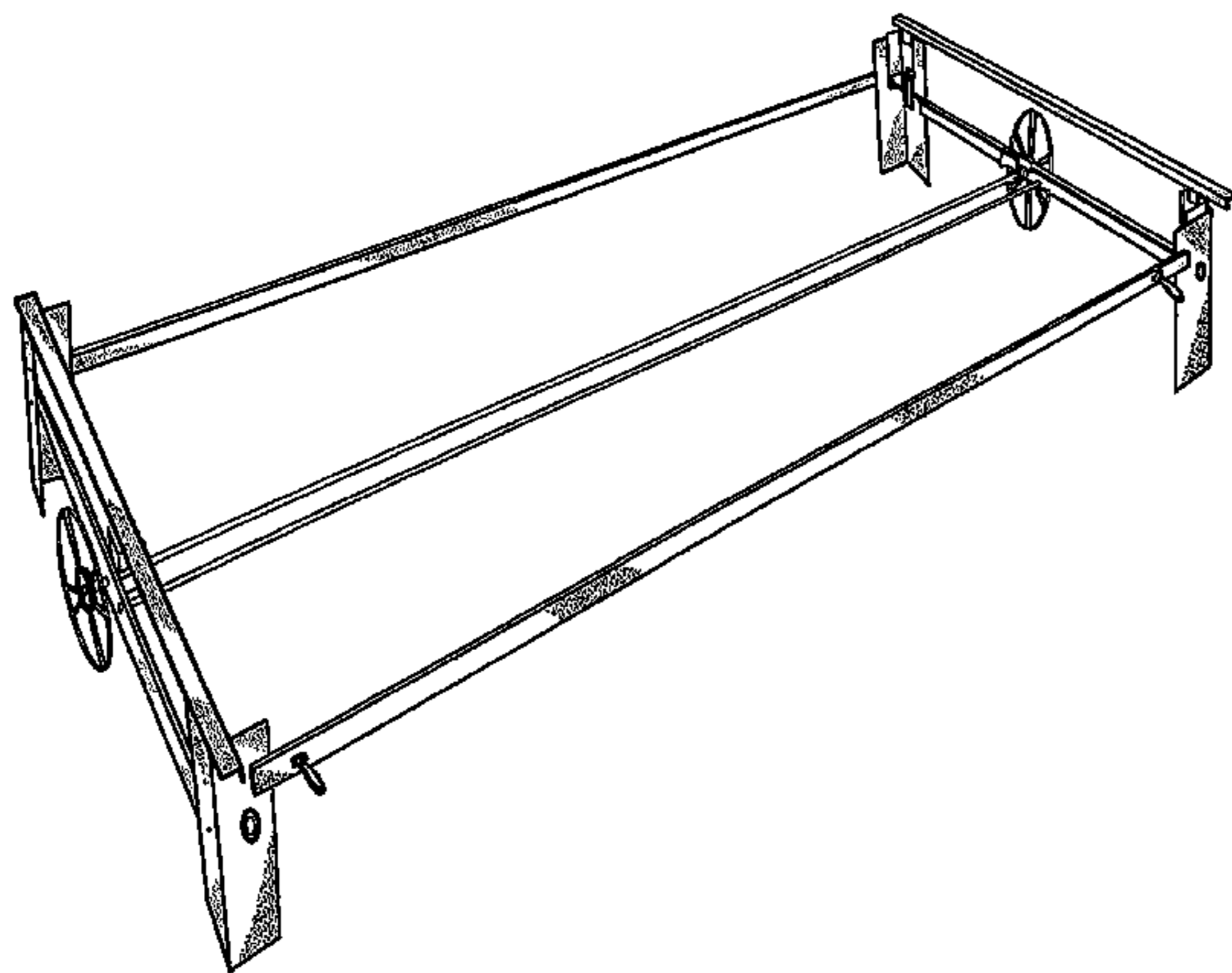
(57) **CLAIM**

The ornamental design for an adjustable table, as shown and described.

DESCRIPTION

FIG. 1, is an isometric view of the new adjustable table, showing the legs and associated hand gears;
FIG. 2, is a front elevational view of the table thereof;
FIG. 3, is a back elevational view of the table thereof; and,
FIG. 4, is side view of the table thereof, being identical on both sides.

1 Claim, 4 Drawing Sheets



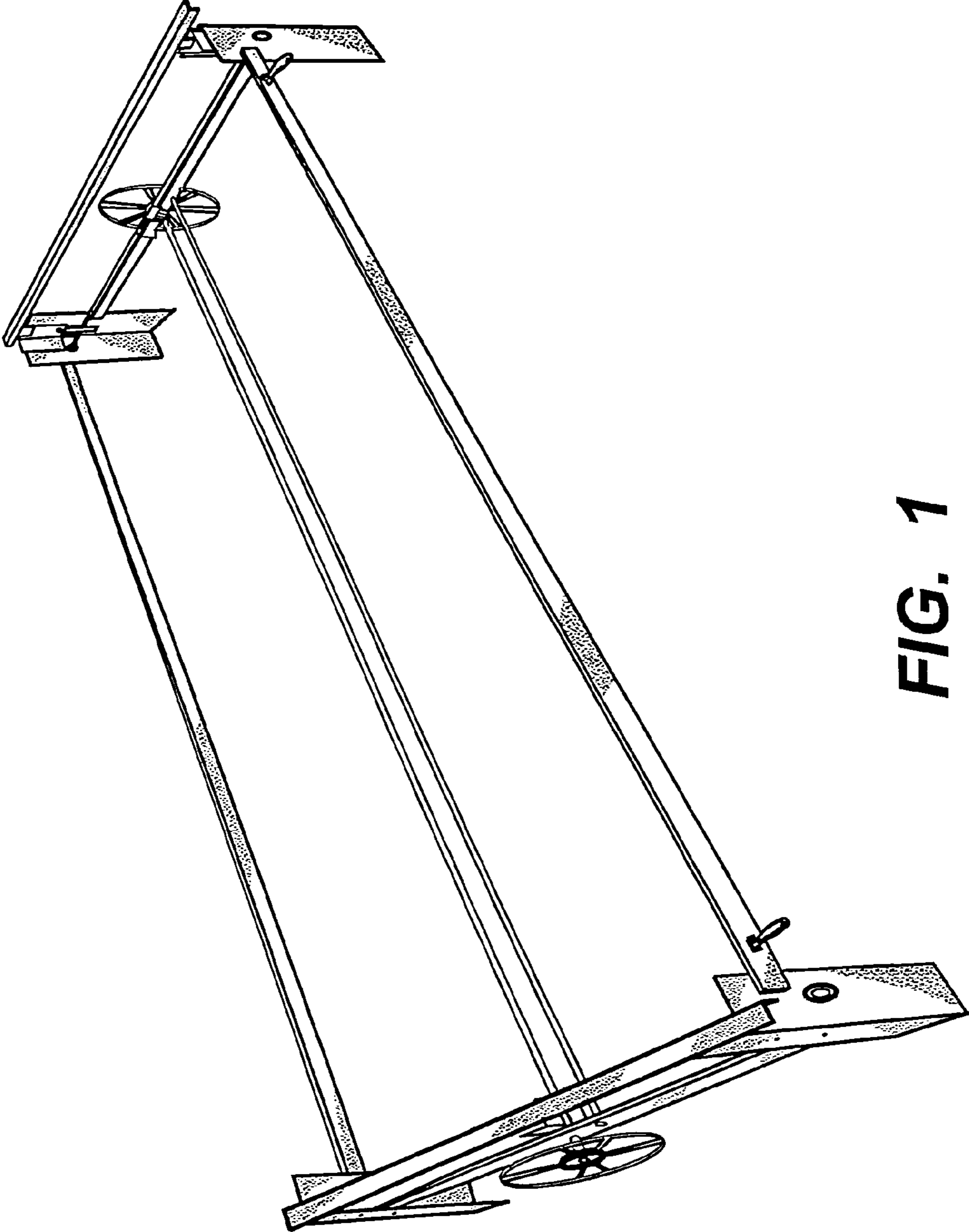


FIG. 1

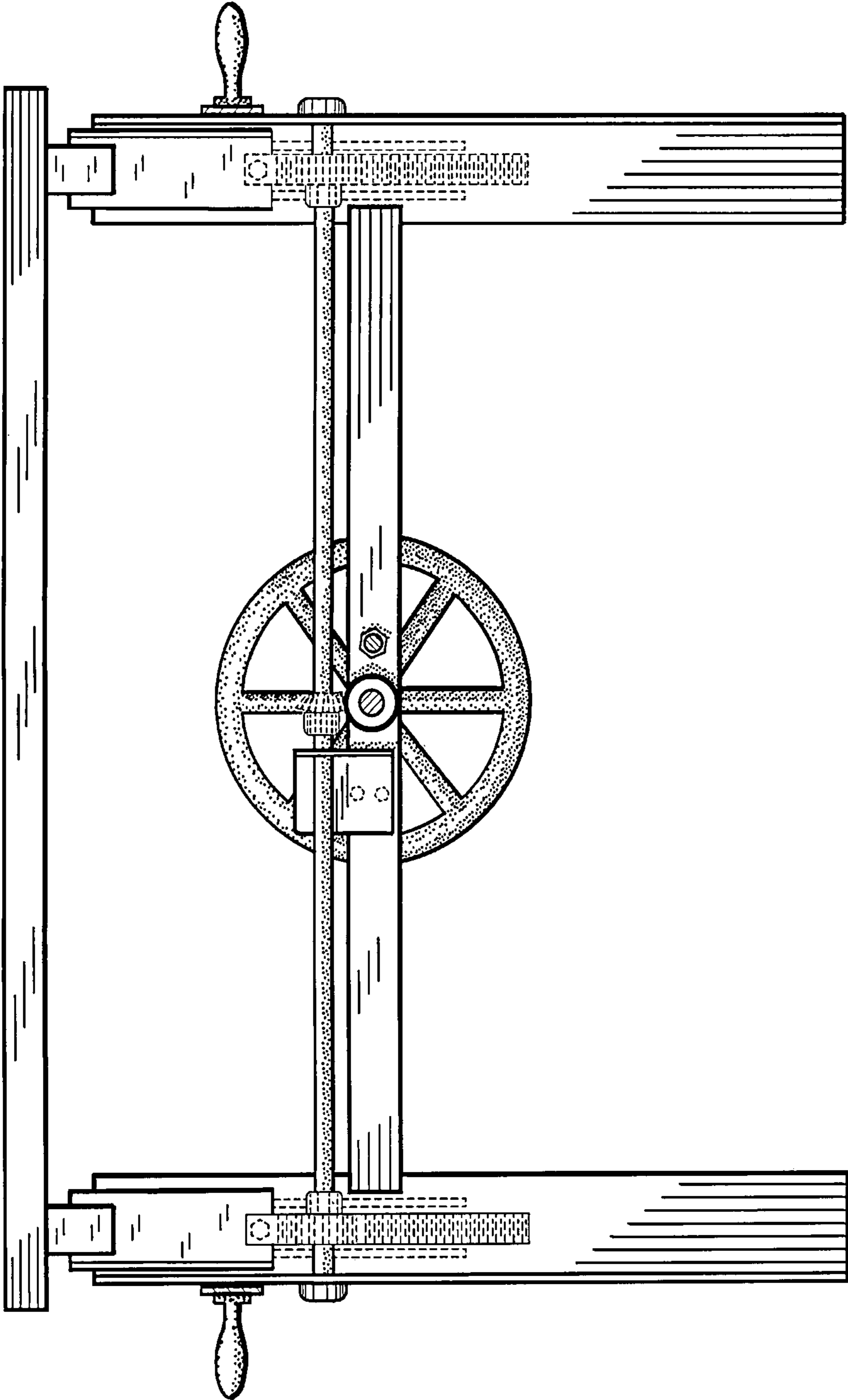


FIG. 2

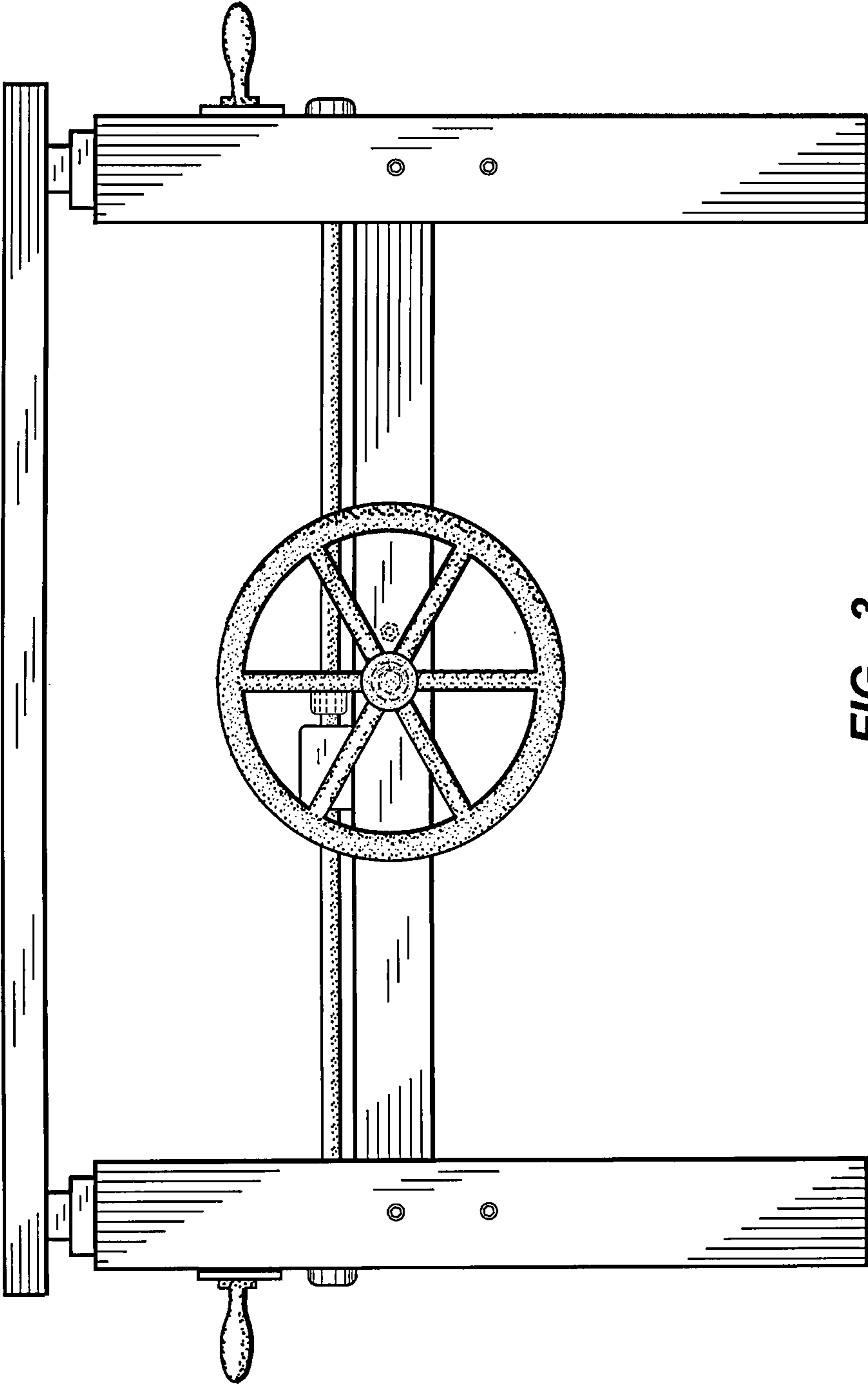


FIG. 3

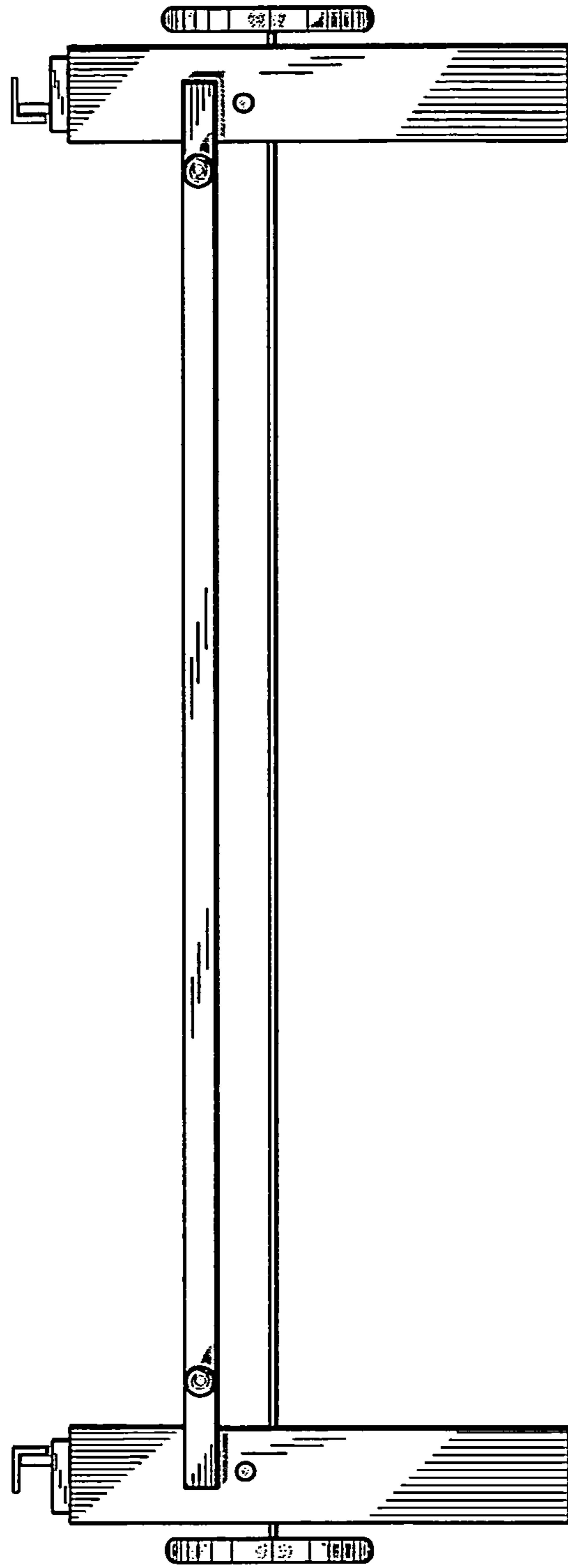


FIG. 4