



US00D719383S

(12) **United States Design Patent**
Goodman et al.

(10) **Patent No.:** **US D719,383 S**

(45) **Date of Patent:** **** Dec. 16, 2014**

(54) **PANTRY SHELF**

(71) Applicant: **Spectrum Diversified Designs, Inc.**,
Streetsboro, OH (US)

(72) Inventors: **Sheldon H. Goodman**, Solon, OH (US);
Phaysouk Xayoiphonh, Akron, OH
(US)

(73) Assignee: **Spectrum Diversified Designs, Inc.**,
Streetsboro, OH (US)

(**) Term: **14 Years**

(21) Appl. No.: **29/494,895**

(22) Filed: **Jun. 25, 2014**

(51) **LOC (10) Cl.** **06-06**

(52) **U.S. Cl.**
USPC **D6/675.5**

(58) **Field of Classification Search**
USPC D6/334-335, 349, 396-397, 449,
D6/455-456, 462, 475, 477, 509-511, 672,
D6/675.5, 705; 108/50.11, 59, 91-93;
211/13.1, 37-38, 85.3, 85.4, 30, 34,
211/42, 49.1, 90.03, 106, 181.1; 248/441.1,
248/465.1, 175, 124.1, 448

See application file for complete search history.

(56) **References Cited**

U.S. PATENT DOCUMENTS

D214,603 S *	7/1969	Cohen	D6/465
3,524,565 A *	8/1970	Wilson	220/491
3,905,286 A *	9/1975	Le Grady	99/450
4,191,160 A *	3/1980	Elliott	126/9 R
D264,157 S *	5/1982	Karsikas	D6/465
4,444,320 A *	4/1984	Chap	211/134
D278,196 S *	4/1985	Koves	D6/465
D296,284 S *	6/1988	Colby	D6/487

4,953,473 A *	9/1990	Tomaka et al.	108/132
5,097,971 A *	3/1992	Norris et al.	211/126.6
D326,946 S *	6/1992	Szuster	D3/306
D338,576 S *	8/1993	Livi	D6/484
D405,627 S *	2/1999	Salvucci	D6/465
D455,029 S *	4/2002	Gusdorf	D6/462
D457,752 S *	5/2002	Wood et al.	D6/462
D511,916 S *	11/2005	Shapiro	D6/511
D548,494 S *	8/2007	Mercs	D6/485
D579,237 S *	10/2008	Gusdorf	D6/462
D587,492 S *	3/2009	Gusdorf	D6/462
D654,292 S *	2/2012	Snider	D6/510
D663,545 S *	7/2012	Hundley	D6/396
D690,965 S *	10/2013	Goodman et al.	D6/675.5
D690,966 S *	10/2013	Goodman et al.	D6/675.5

* cited by examiner

Primary Examiner — Kelley Donnelly

(74) *Attorney, Agent, or Firm* — Benesch Friedlander
Coplan & Aronoff LLP

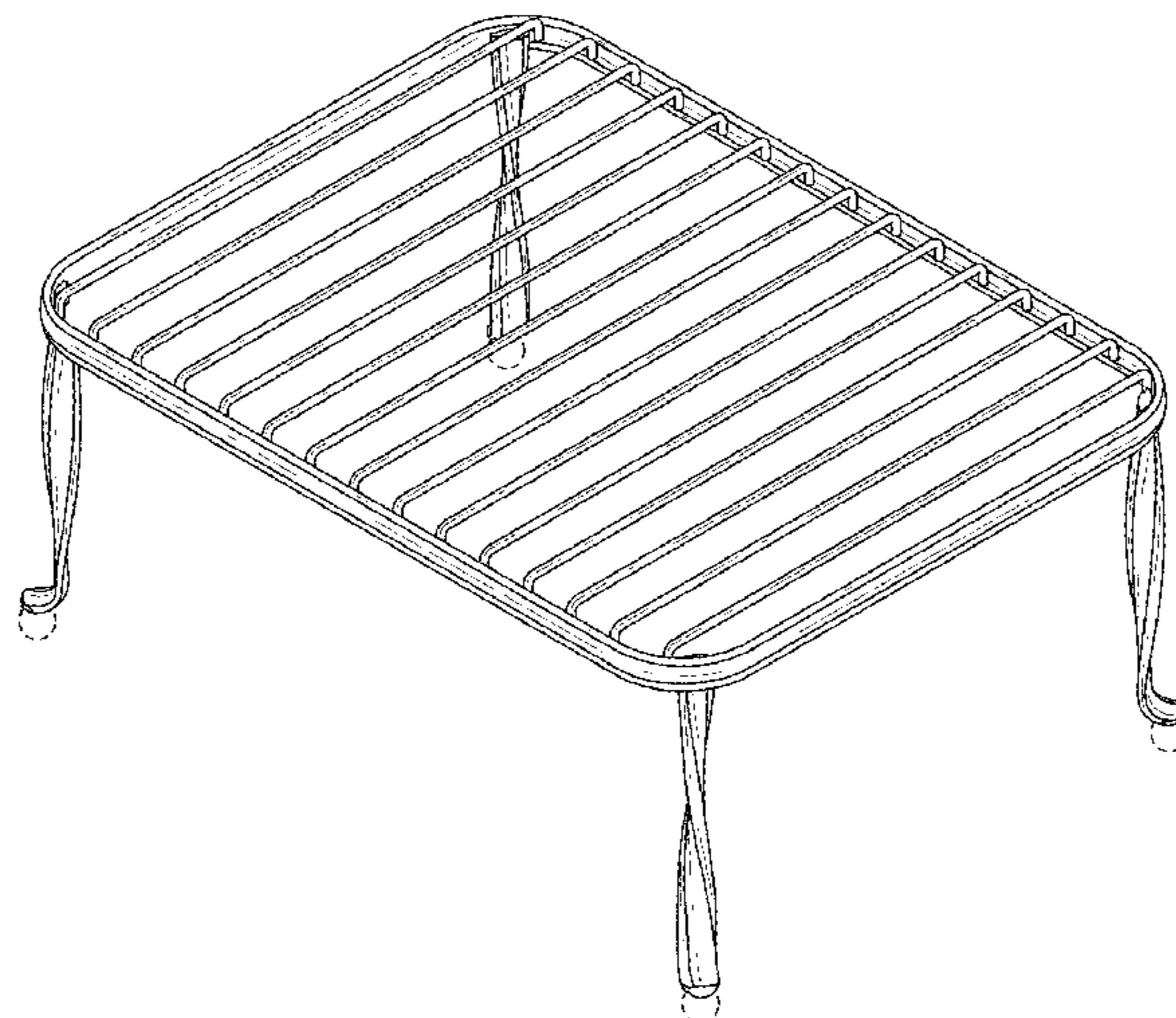
(57) **CLAIM**

What is claimed is the ornamental design for a pantry shelf, as shown and described.

DESCRIPTION

FIG. 1 is a perspective view of a pantry shelf showing a new design;
FIG. 2 is a front view of the pantry shelf of FIG. 1;
FIG. 3 is a side view of the pantry shelf of FIG. 1;
FIG. 4 is a cross-sectional view taken along line 4-4 of FIG. 3;
FIG. 5 is a top view of the pantry shelf of FIG. 1;
FIG. 6 is a bottom side view of the pantry shelf of FIG. 1;
FIG. 7 is a perspective view of another embodiment of the pantry shelf of FIG. 1; and,
FIG. 8 is a cross-sectional view taken along line 8-8 of FIG. 7.
The components of the display shown in broken lines illustrate portions of the pantry shelf form no part of the claimed design.

1 Claim, 4 Drawing Sheets



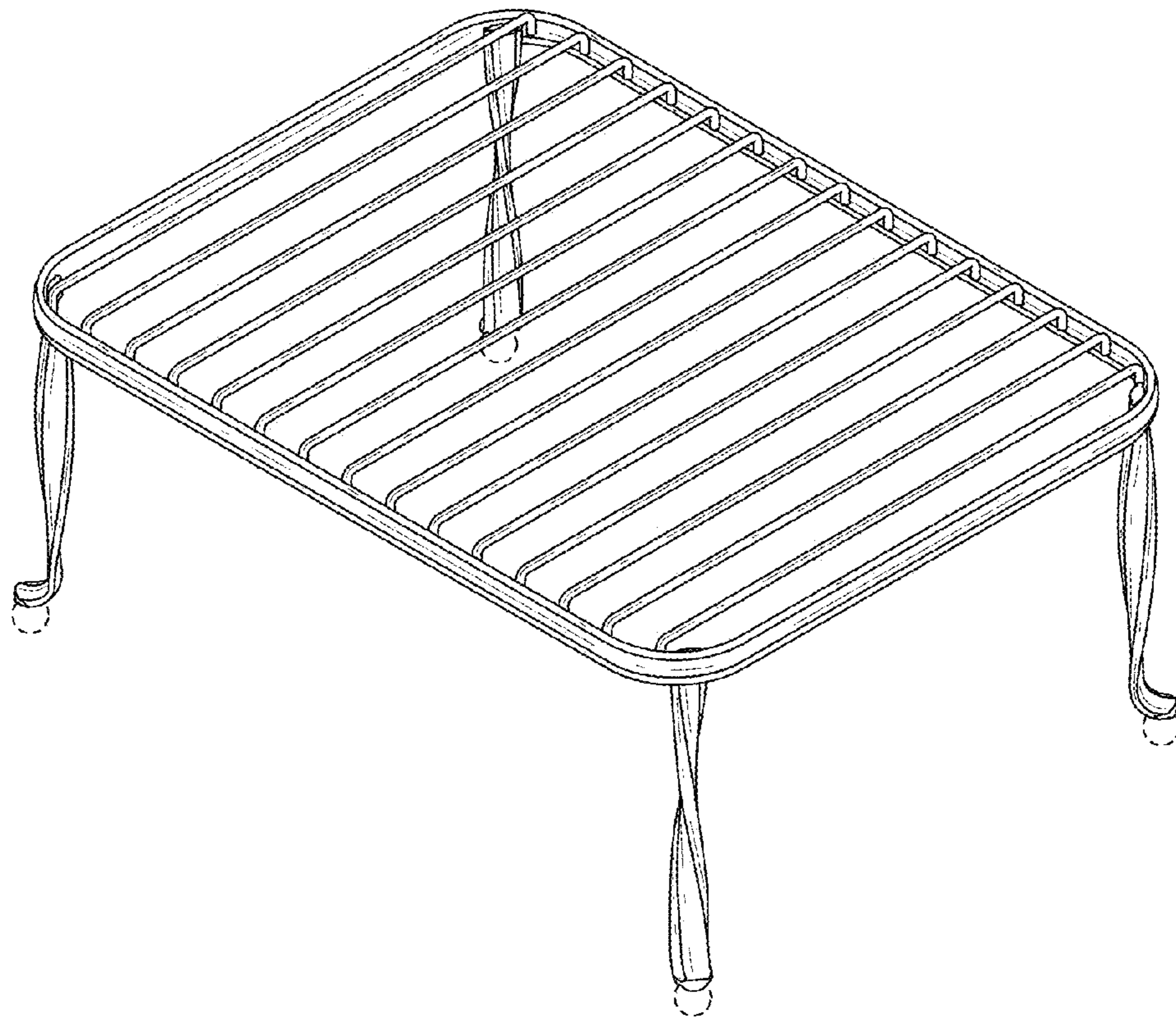


FIG. 1

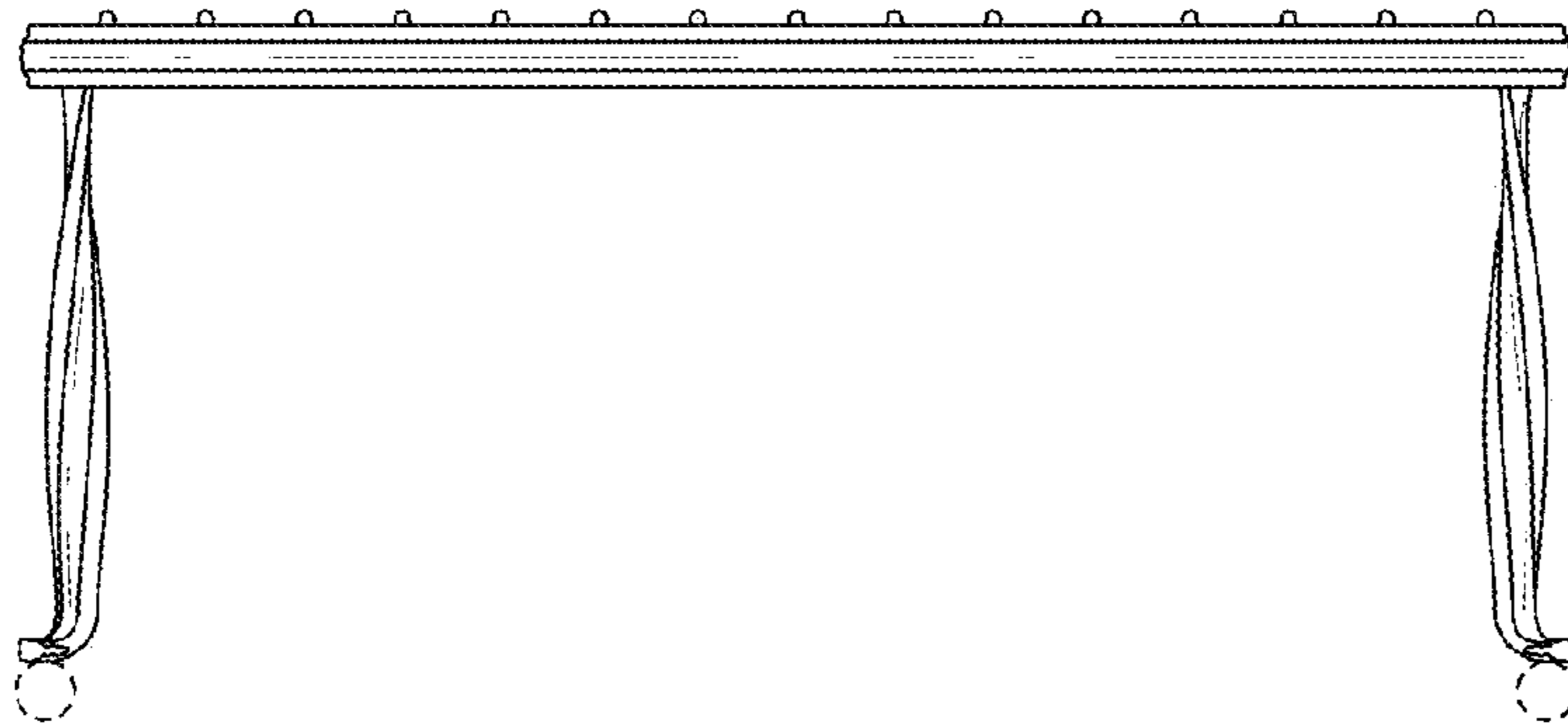


FIG. 2

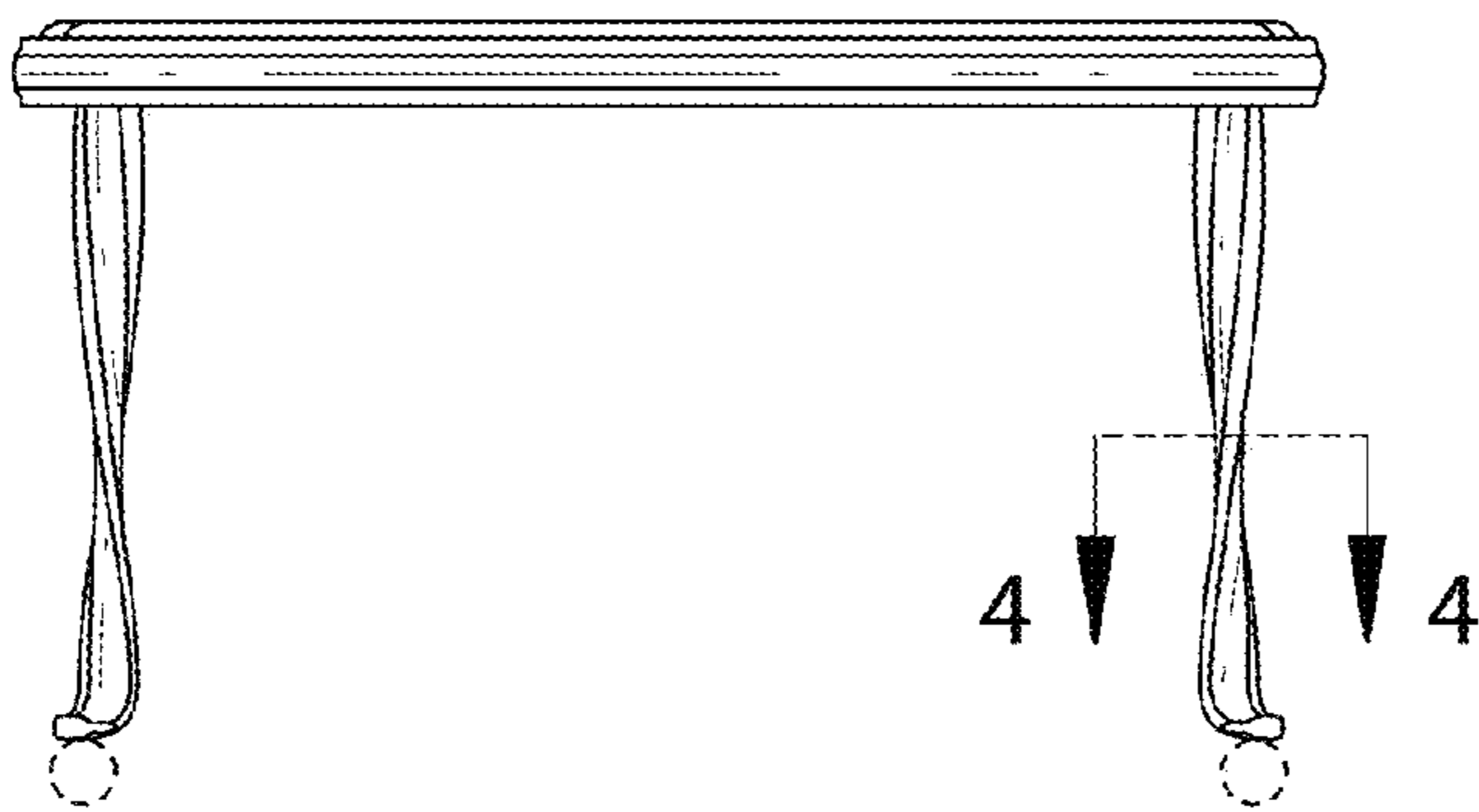


FIG. 3



FIG. 4

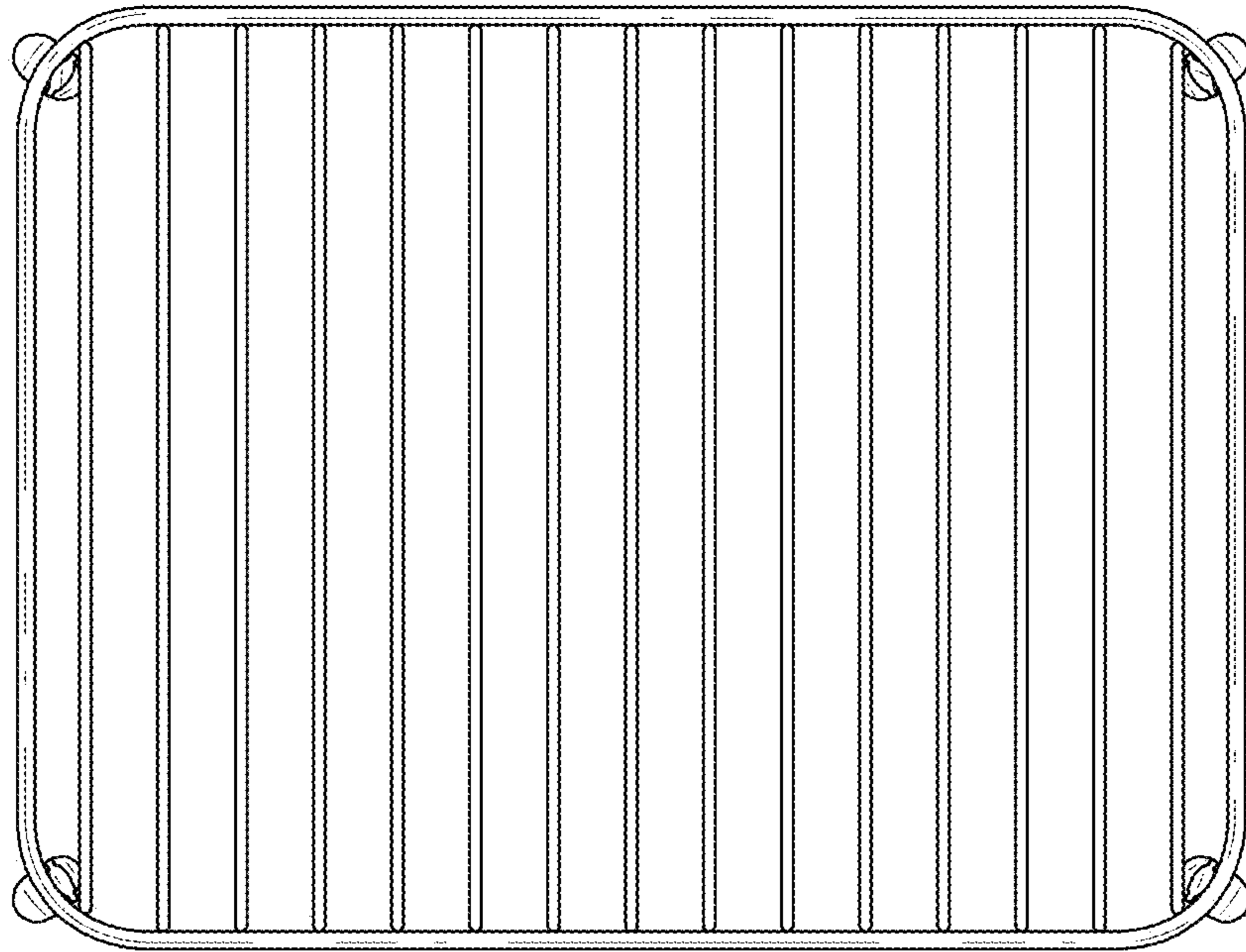


FIG. 5

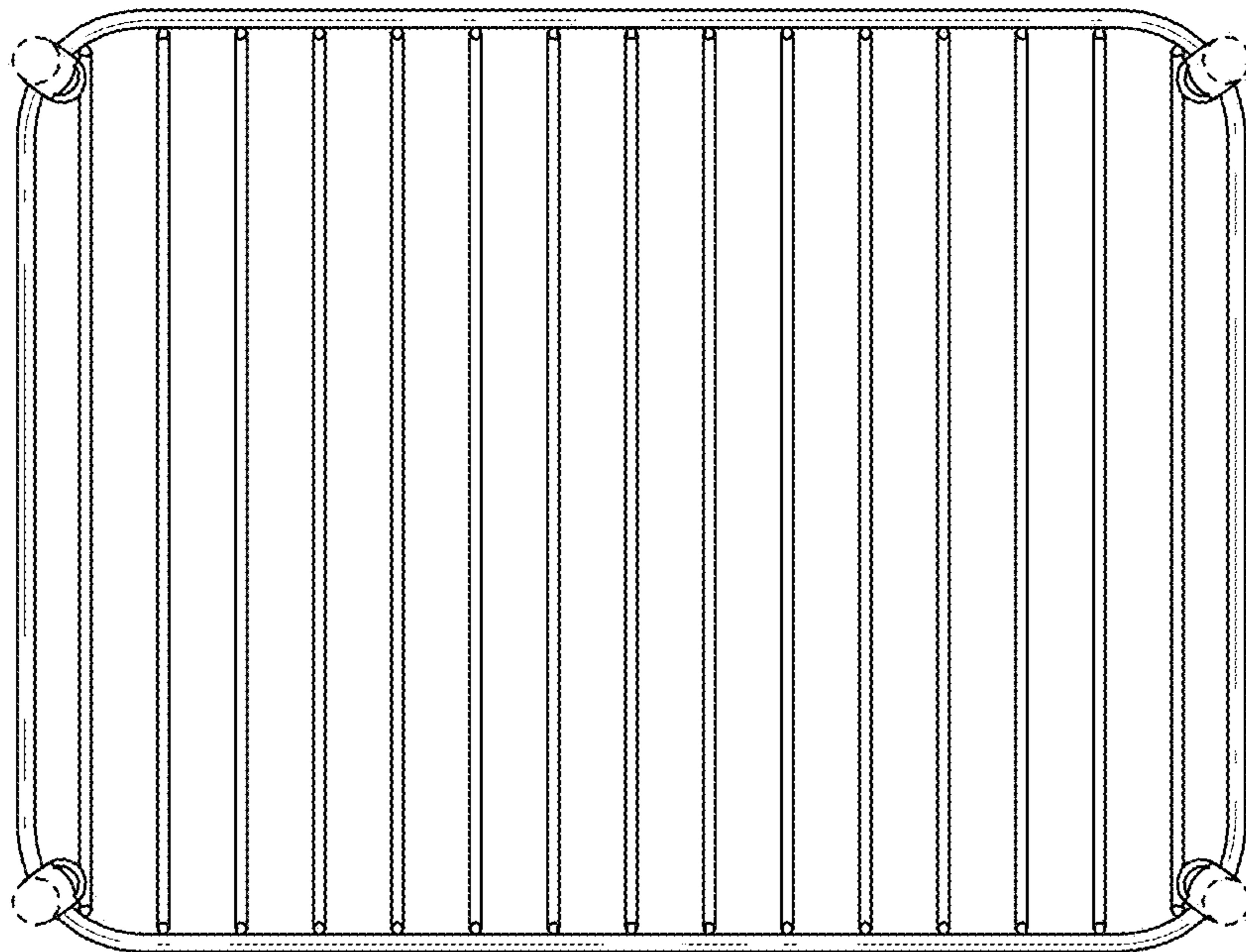


FIG. 6

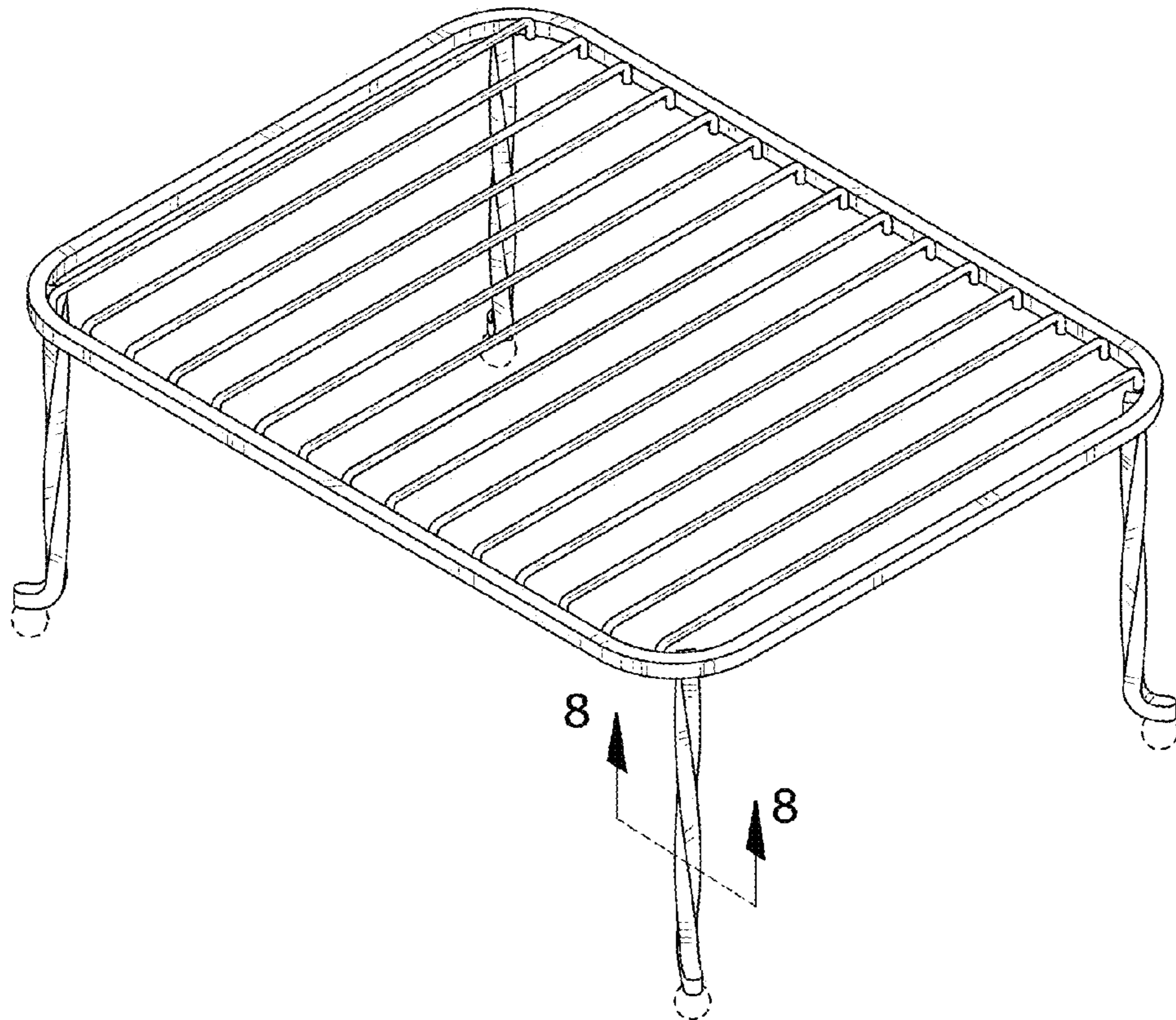


FIG. 7

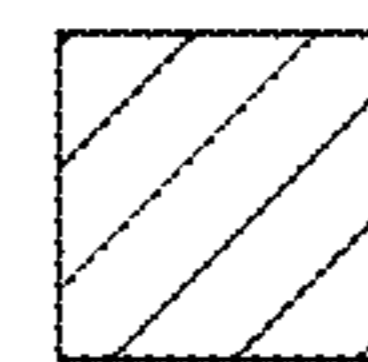


FIG. 8