

US00D719382S

(12) **United States Design Patent**
Sanderson

(10) **Patent No.:** **US D719,382 S**
(45) **Date of Patent:** **** Dec. 16, 2014**

- (54) **SHOE DISPLAY STAND**
- (71) Applicant: **Wire Fab Company**, Mount Vernon, WA (US)
- (72) Inventor: **Terry Sanderson**, Mount Vernon, WA (US)
- (**) Term: **14 Years**
- (21) Appl. No.: **29/467,330**
- (22) Filed: **Sep. 18, 2013**
- (51) **LOC (10) Cl.** **06-04**
- (52) **U.S. Cl.**
USPC **D6/675.5**
- (58) **Field of Classification Search**
CPC A47F 7/08; A47G 1/0605; A47G 1/10; Y10S 248/91; A47B 13/003; A47B 13/02; A47B 13/021; A47B 13/023; A47B 2013/006; A47B 7/00
USPC D6/334, 641, 675, 675.5, 676.5, 680.2, D6/702, 708, 708.16, 708.17, 708.2, D6/708.21, 552, 691.4, 691.6, 656.13, D6/656.15, 691.1-691.9, 700, 701, 705.6, D6/707, 707.19, 707.23, 707.24; 211/34-38, 150
See application file for complete search history.

D348,992 S *	7/1994	Arima	D6/420
D353,499 S *	12/1994	Schwallenstecker	D6/449
D371,587 S *	7/1996	Braun	D21/705
D410,250 S *	5/1999	Robertson, Jr.	D19/52
D450,496 S *	11/2001	Schwartz et al.	D6/495
D531,839 S *	11/2006	Lade	D6/486
D590,018 S *	4/2009	Nash et al.	D19/52
D605,871 S *	12/2009	Canley	D6/403
D621,641 S *	8/2010	Li	D6/486
D623,227 S *	9/2010	Hoch et al.	D19/52
D625,528 S *	10/2010	Sprague	D6/449
8,011,308 B2 *	9/2011	Picchio	108/147
D647,073 S *	10/2011	Morihira	D13/199
D650,204 S *	12/2011	Muller	D6/495

OTHER PUBLICATIONS

Shoe display, available Jul. 28, 2010, [online], [site visited Oct. 14, 2014]. Available from internet, <URL: https://web.archive.org/web/20100728094124/http://buystoreshelving.com/shoe_displays/table_pair_shoes_display_stand_SR8/index.htm>.*

Shoe display, available Feb. 1, 2013, [online], [site visited Oct. 14, 2014]. Available from internet, <URL: <http://www.bawplastics.com/acrylicrisers.php>>.*

* cited by examiner

Primary Examiner — Cathron Brooks
Assistant Examiner — Teddy Falloway

(57) **CLAIM**

The ornamental design for a shoe display stand, as shown and described.

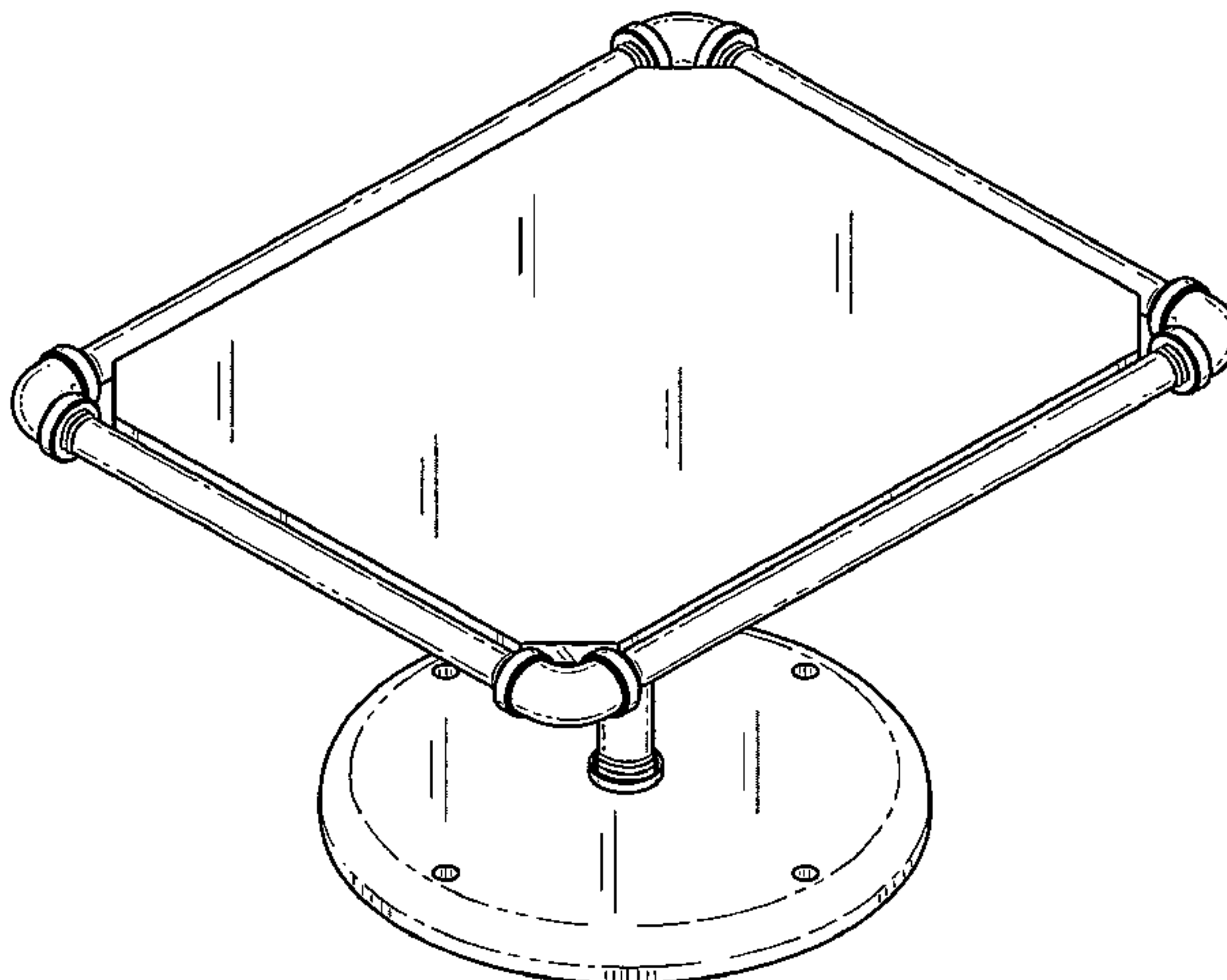
DESCRIPTION

FIG. 1 is an isometric view of a shoe display stand;
FIG. 2 is a front view thereof;
FIG. 3 is a right side view thereof;
FIG. 4 is a left side view thereof;
FIG. 5 is a back view thereof;
FIG. 6 is a top view thereof;
FIG. 7 is a bottom view thereof; and,
FIG. 8 is an exploded isometric view of the shoe display stand showing a shoe platform and base.

1 Claim, 8 Drawing Sheets

(56) **References Cited**
U.S. PATENT DOCUMENTS

803,688 A *	11/1905	Gruss et al.	211/37
1,270,004 A *	6/1918	Chappell	211/37
1,278,059 A *	9/1918	Summerfield	211/37
2,047,680 A *	7/1936	Feldman	211/196
2,051,679 A *	8/1936	Chapman	211/37
2,212,602 A *	8/1940	Hoffmann	211/37
D156,008 S *	11/1949	Hopkins	D6/429
D235,597 S *	7/1975	Loomis	D6/479
D240,983 S *	8/1976	Rowman	D6/486
D284,415 S *	6/1986	Cahoon	D34/17
4,839,974 A *	6/1989	Walter	40/784
D330,982 S *	11/1992	Braun	D6/457



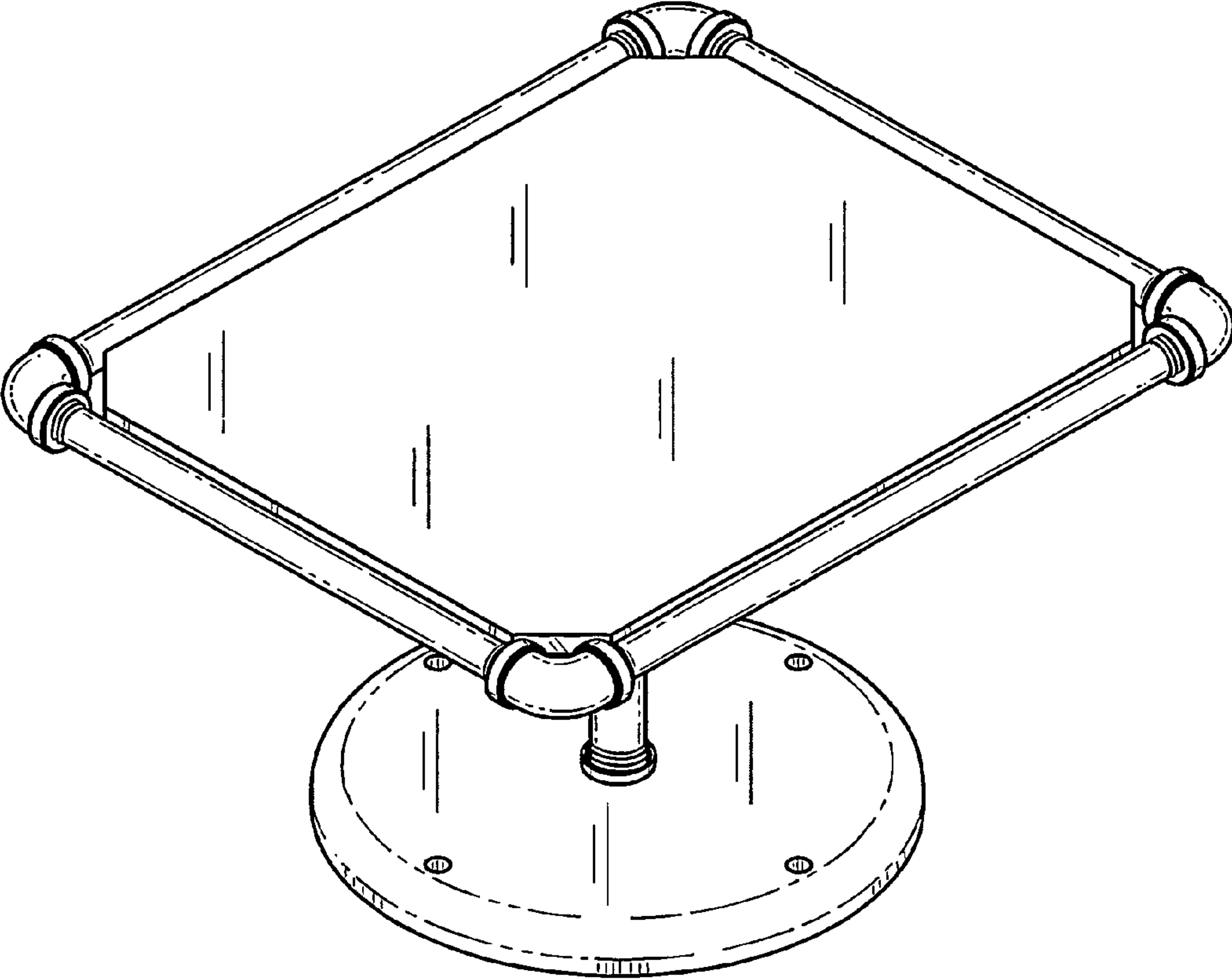


FIG. 1

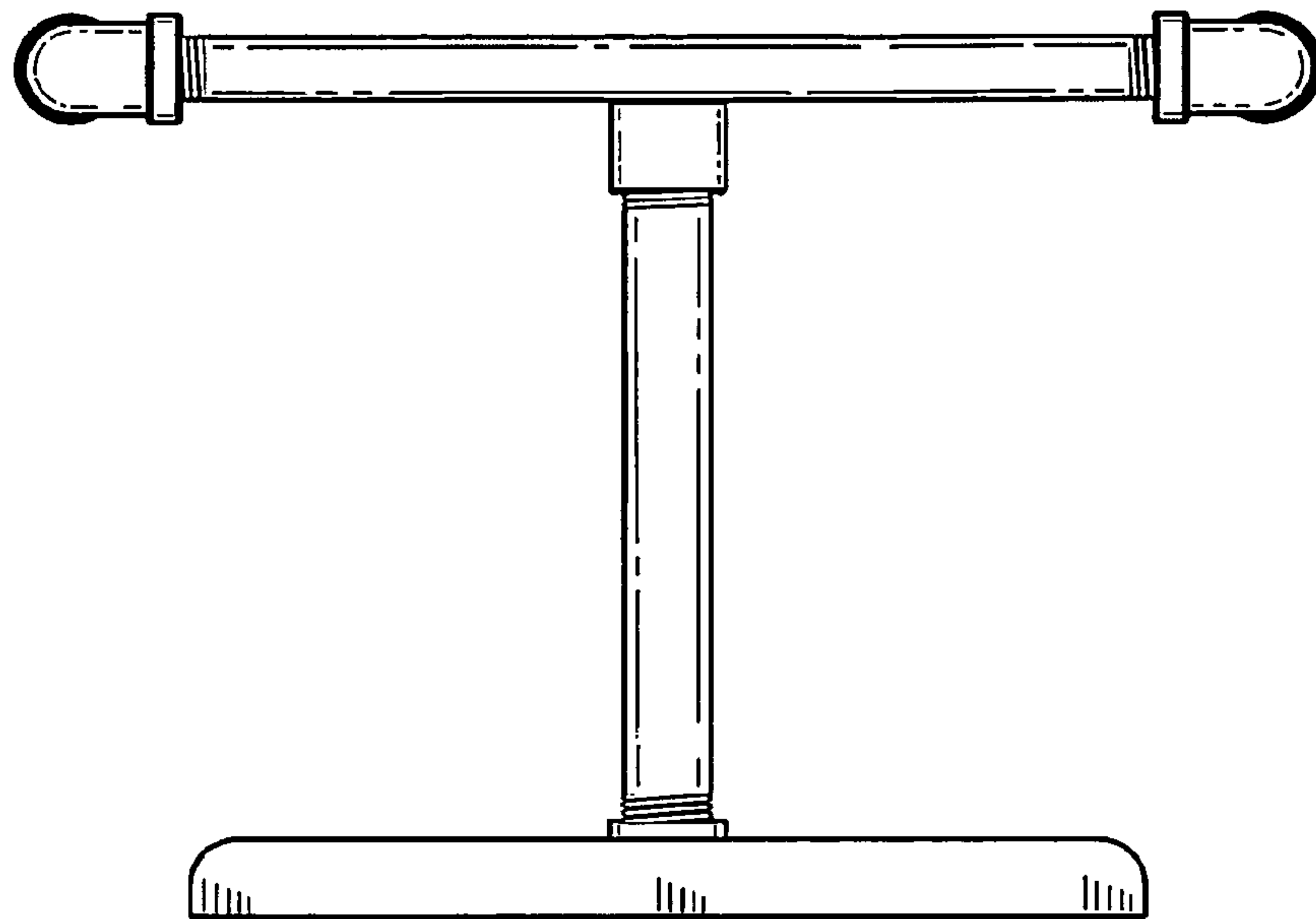


FIG. 2

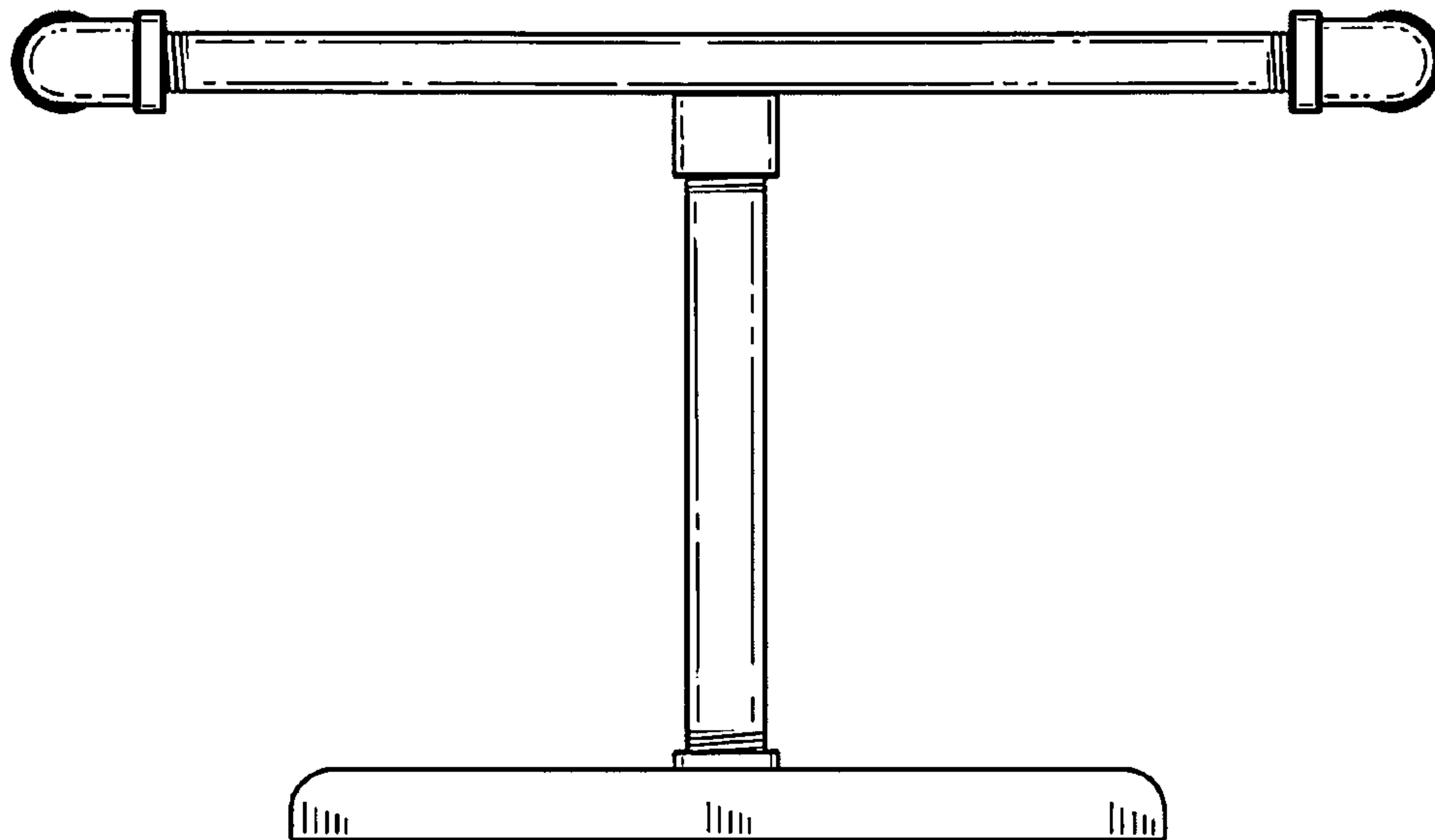


FIG. 3

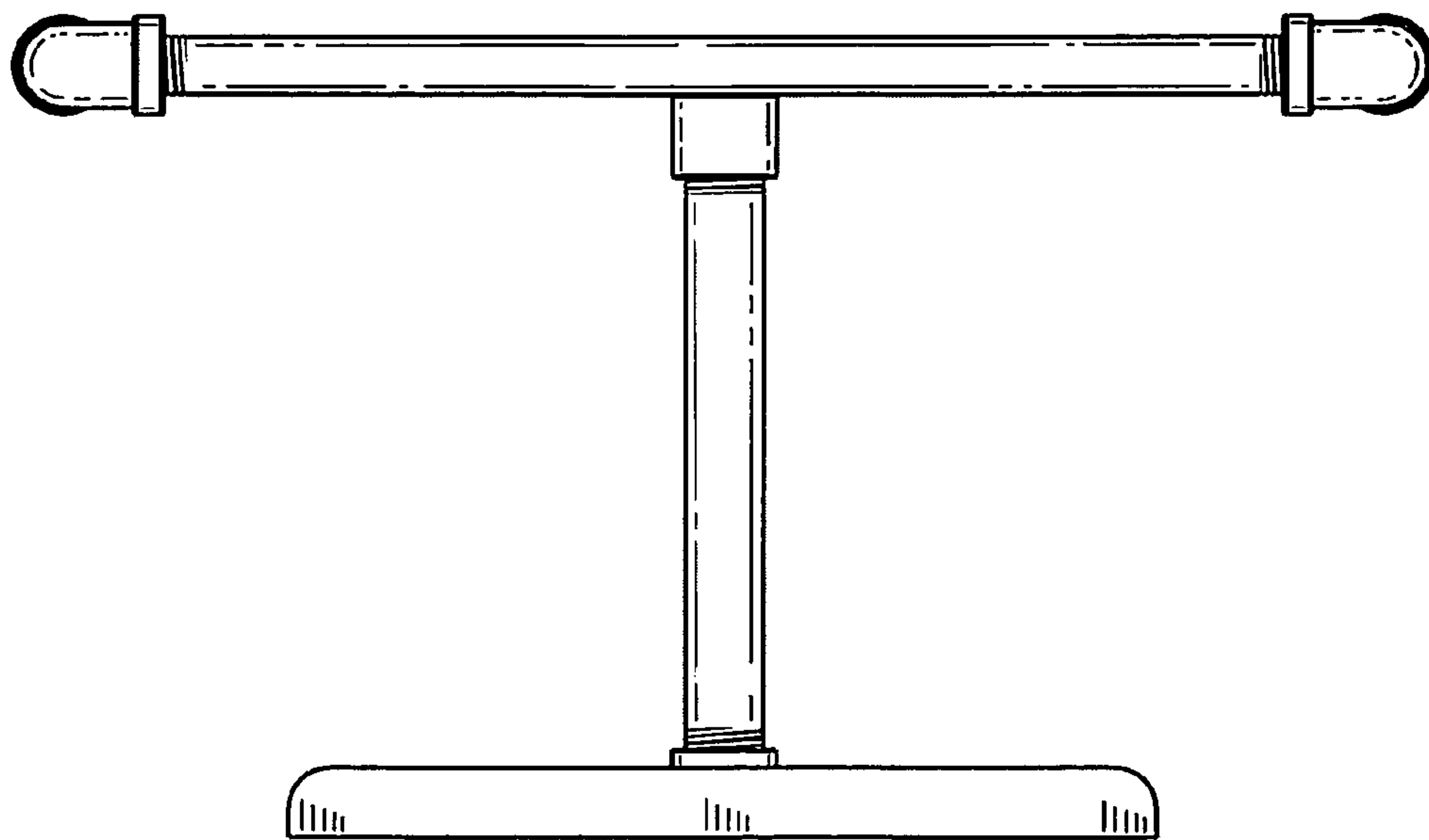


FIG. 4

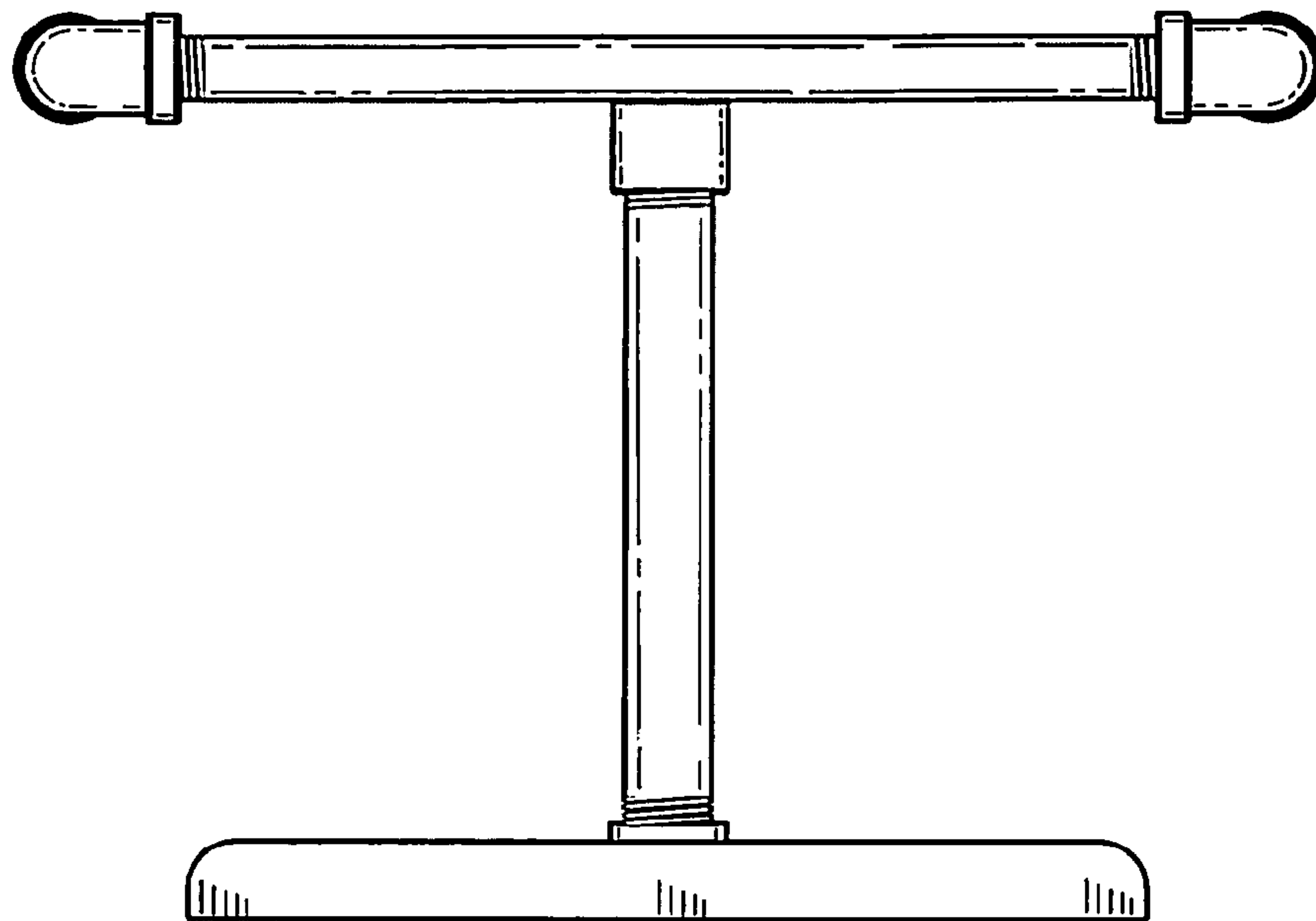


FIG. 5

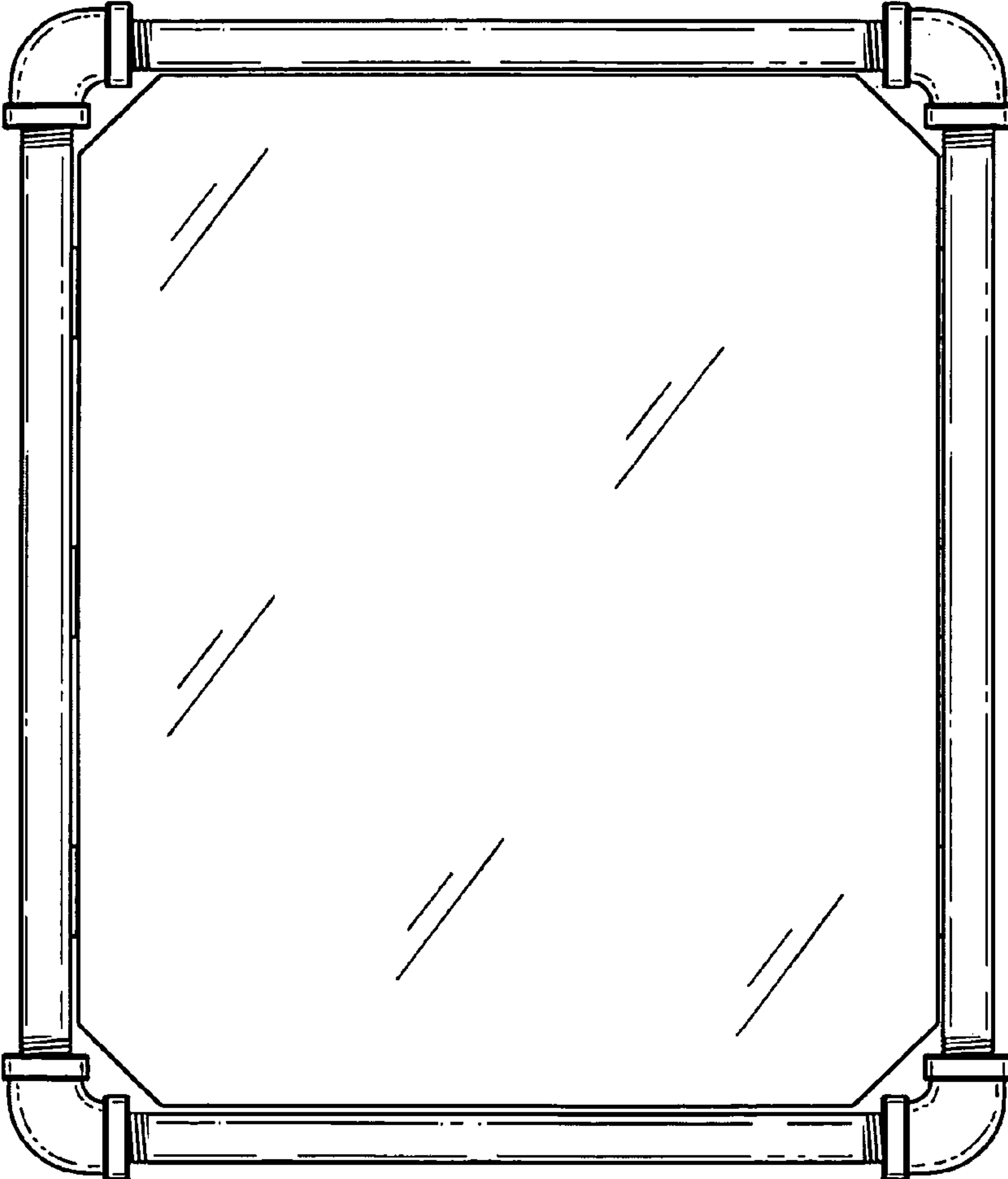


FIG. 6

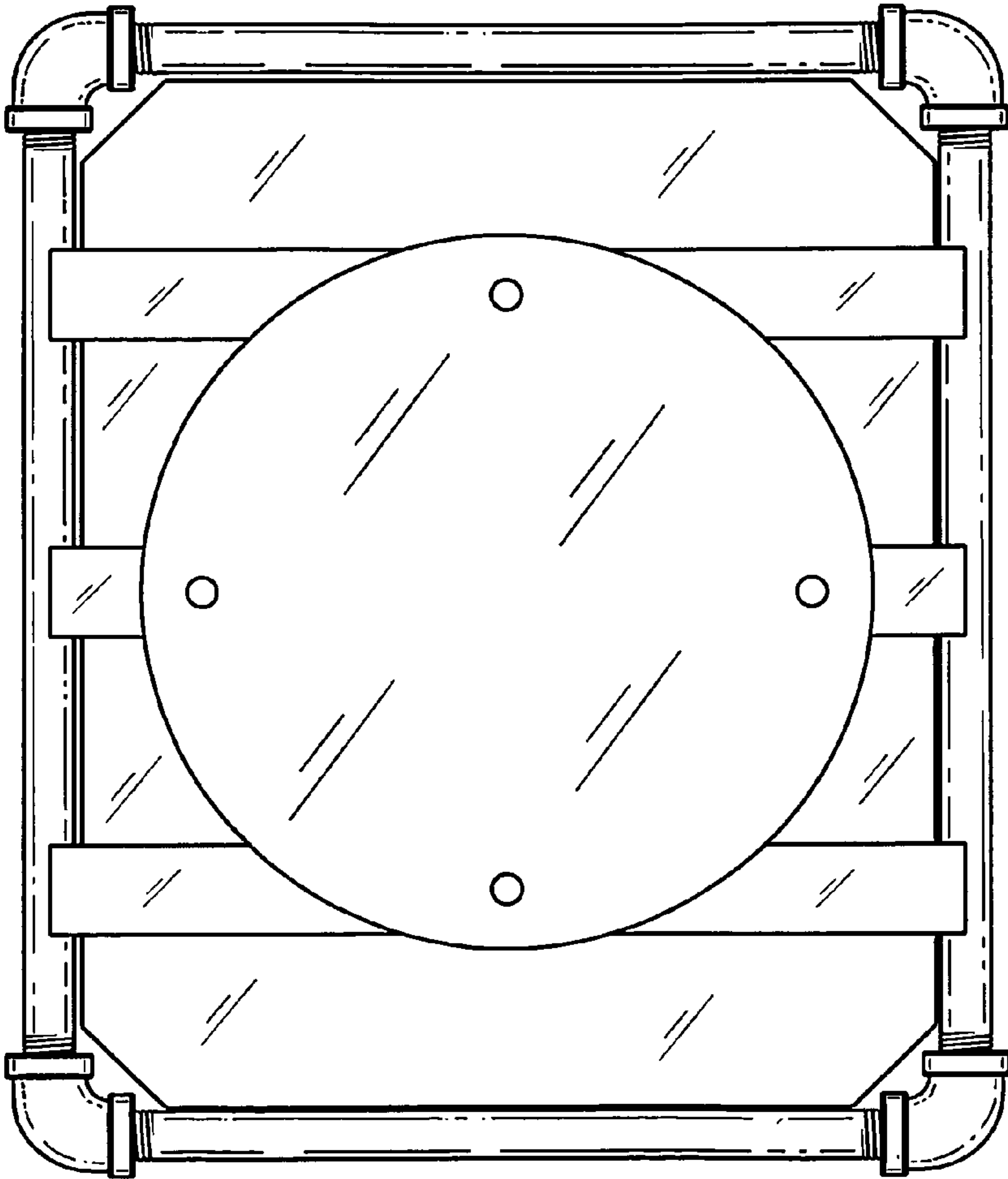


FIG. 7

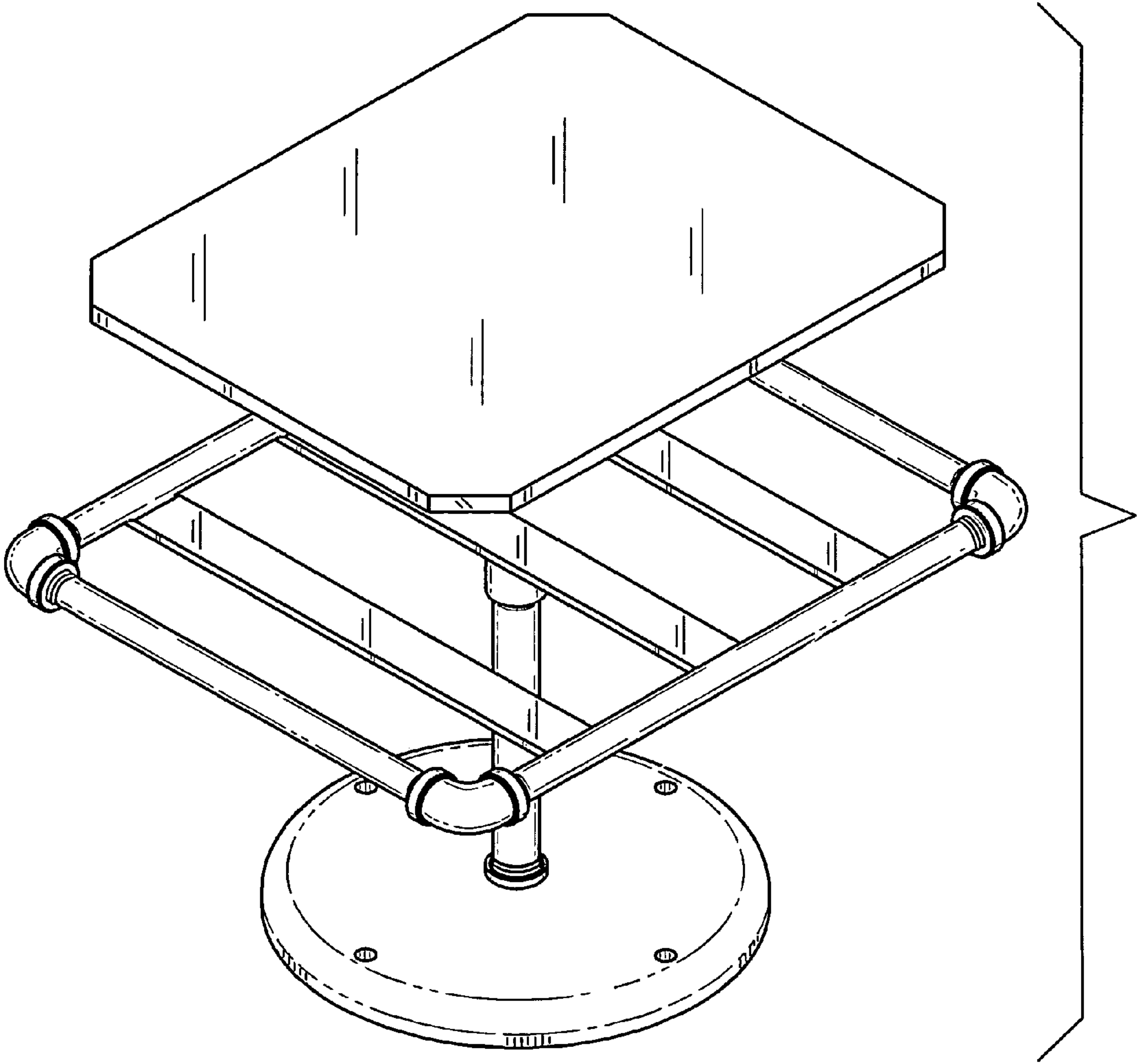


FIG. 8