



US00D719380S

(12) **United States Design Patent**
Ward

(10) **Patent No.:** **US D719,380 S**

(45) **Date of Patent:** **** Dec. 16, 2014**

(54) **SHELF UNIT**

(71) Applicant: **Flute Office Limited**, Ockley (GB)

(72) Inventor: **Mary Dorrington Ward**, Dorking (GB)

(73) Assignee: **Flute Office Limited**, London (GB)

(**) Term: **14 Years**

(21) Appl. No.: **29/484,304**

(22) Filed: **Mar. 7, 2014**

(51) **LOC (10) Cl.** **06-06**

(52) **U.S. Cl.**
USPC **D6/675.1**

(58) **Field of Classification Search**
USPC D6/449–450, 473, 475–476, 477–478,
D6/479, 672, 675, 675.1; 211/42–43, 49.1,
211/133.1, 134, 148, 153; 108/91–92,
108/106–107, 59

See application file for complete search history.

(56) **References Cited**

U.S. PATENT DOCUMENTS

D260,211 S *	8/1981	Redmond	D6/478
D265,957 S *	8/1982	Wolf et al.	D6/446
D293,528 S *	1/1988	Handler et al.	D6/449
D297,085 S *	8/1988	Gieber	D6/479
D301,952 S *	7/1989	Everett	D6/479
D326,966 S *	6/1992	Eggink et al.	D6/478
D366,972 S *	2/1996	Thompson	D6/407
D382,142 S *	8/1997	Kelly et al.	D6/479
D389,345 S *	1/1998	Grosfillex	D6/478
D391,783 S *	3/1998	Neufeld	D6/437
D429,095 S *	8/2000	Grosfillex	D6/479

D446,053 S *	8/2001	Wohlford	D6/479
D450,488 S *	11/2001	Stone et al.	D6/479
D492,860 S *	7/2004	Bertoncini	D6/470
D496,544 S *	9/2004	Bosman	D6/479
D530,118 S *	10/2006	Del Castillo et al.	D6/479
D561,492 S *	2/2008	Mehmen	D6/477
D592,891 S *	5/2009	Alfonso	D6/479
D655,948 S *	3/2012	Dardashti et al.	D6/478
D664,377 S *	7/2012	Pennacchio	D6/479
D672,577 S *	12/2012	Blet et al.	D6/675.1
D691,837 S *	10/2013	Hinkle	D6/675.1

FOREIGN PATENT DOCUMENTS

GB	4027589	1/2013
GB	4029022	4/2013
GB	4029023	4/2013

* cited by examiner

Primary Examiner — Kelley Donnelly

(74) *Attorney, Agent, or Firm* — Mintz Levin Cohn Ferris
Glovsky and Popeo, P.C.

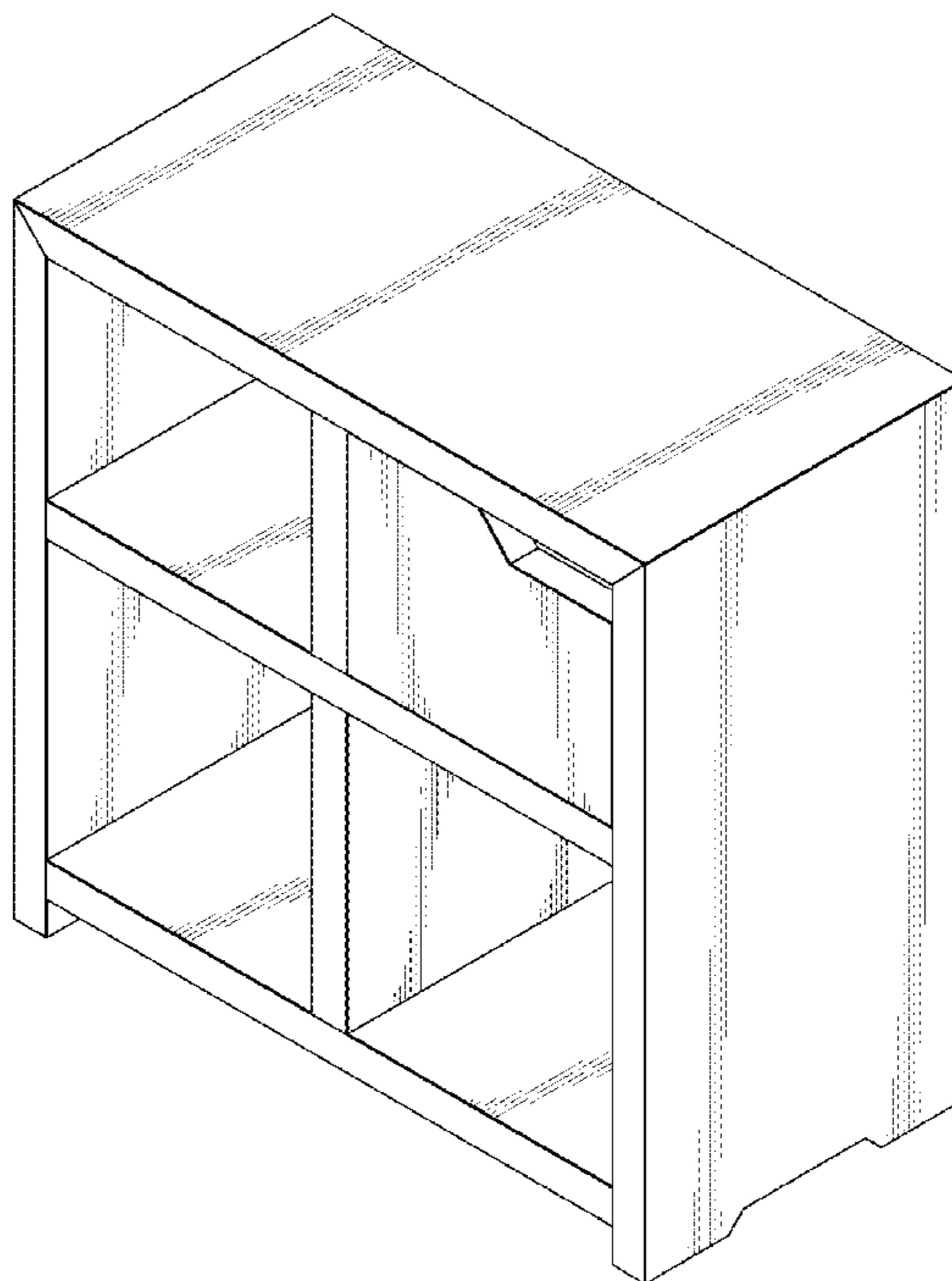
(57) **CLAIM**

The ornamental design for a shelf unit, as shown and described.

DESCRIPTION

FIG. 1 is a front perspective view of a shelf unit;
FIG. 2 is another front perspective view thereof;
FIG. 3 is a bottom perspective view thereof;
FIG. 4 is a front view thereof;
FIG. 5 is a side view thereof;
FIG. 6 is a top view thereof; and,
FIG. 7 is a bottom view thereof.

1 Claim, 6 Drawing Sheets



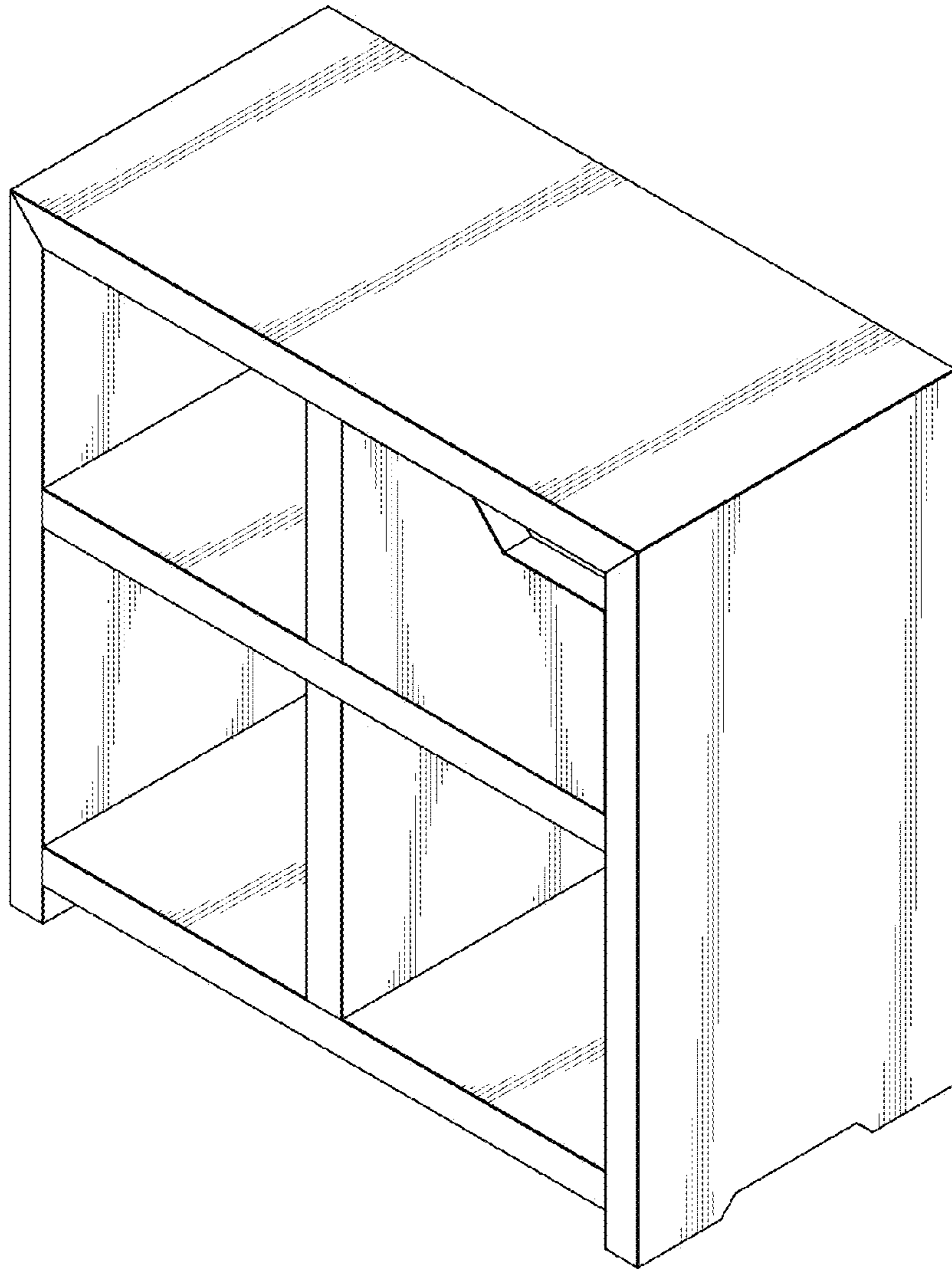


FIG. 1

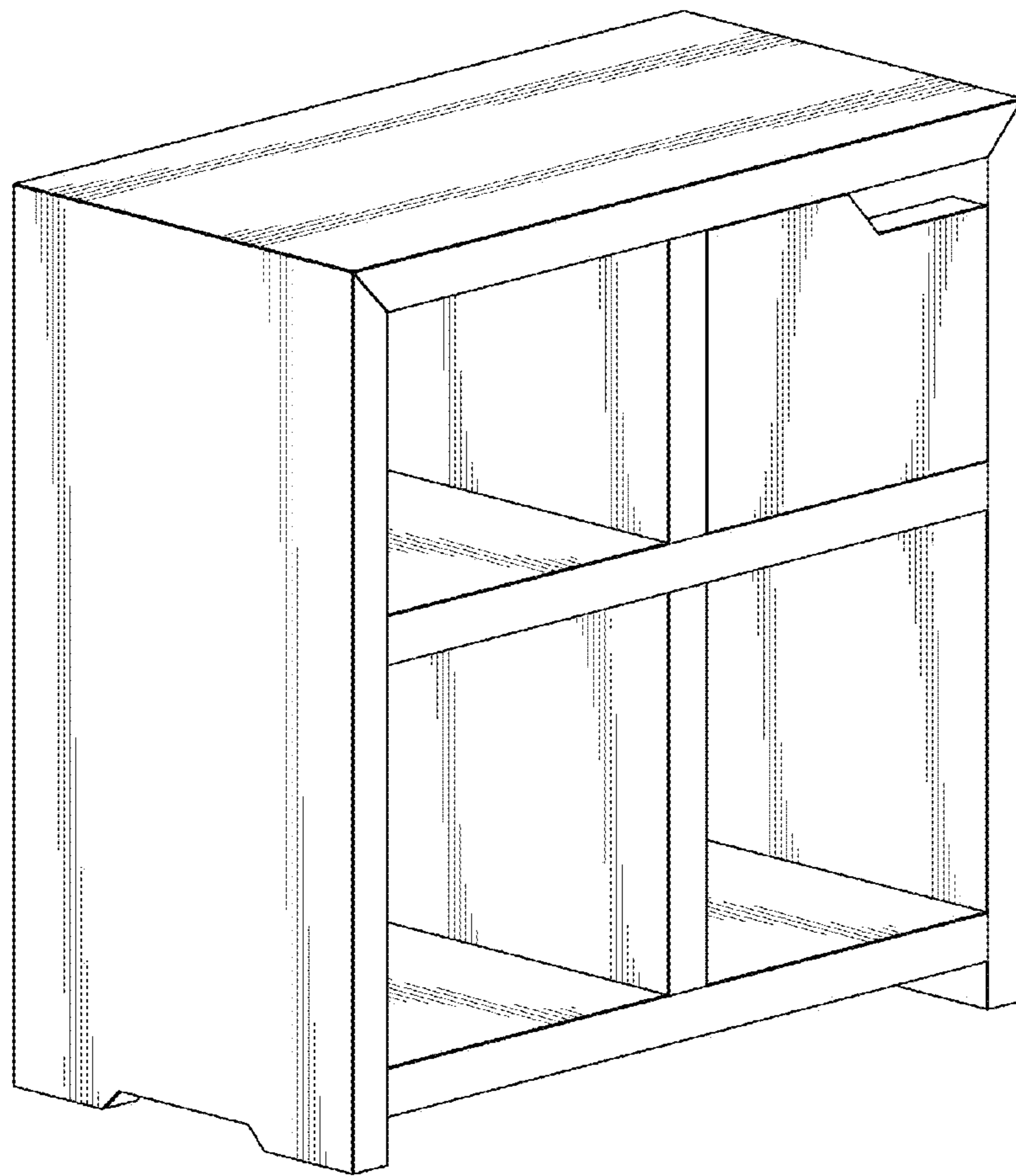


FIG. 2

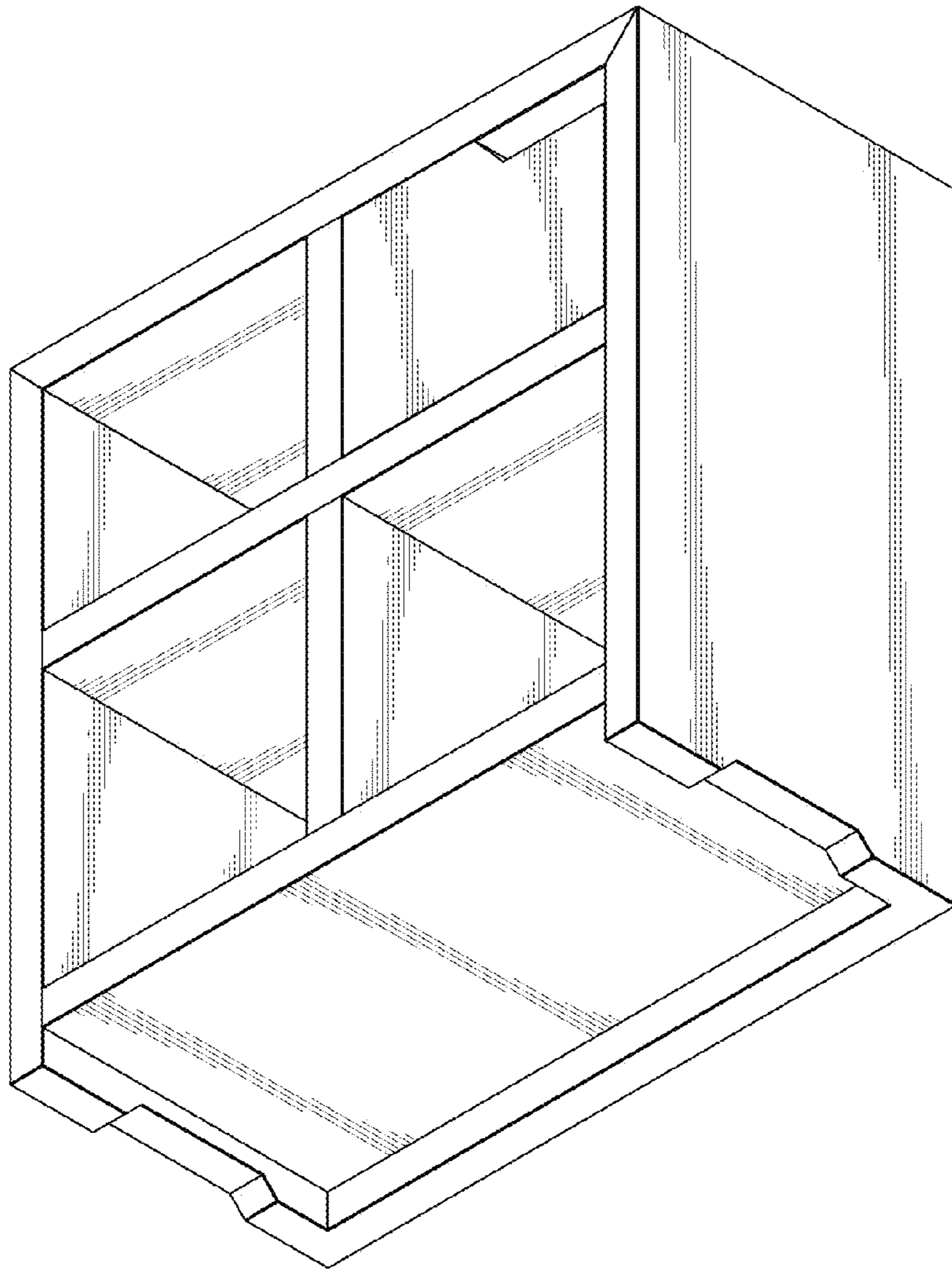


FIG. 3

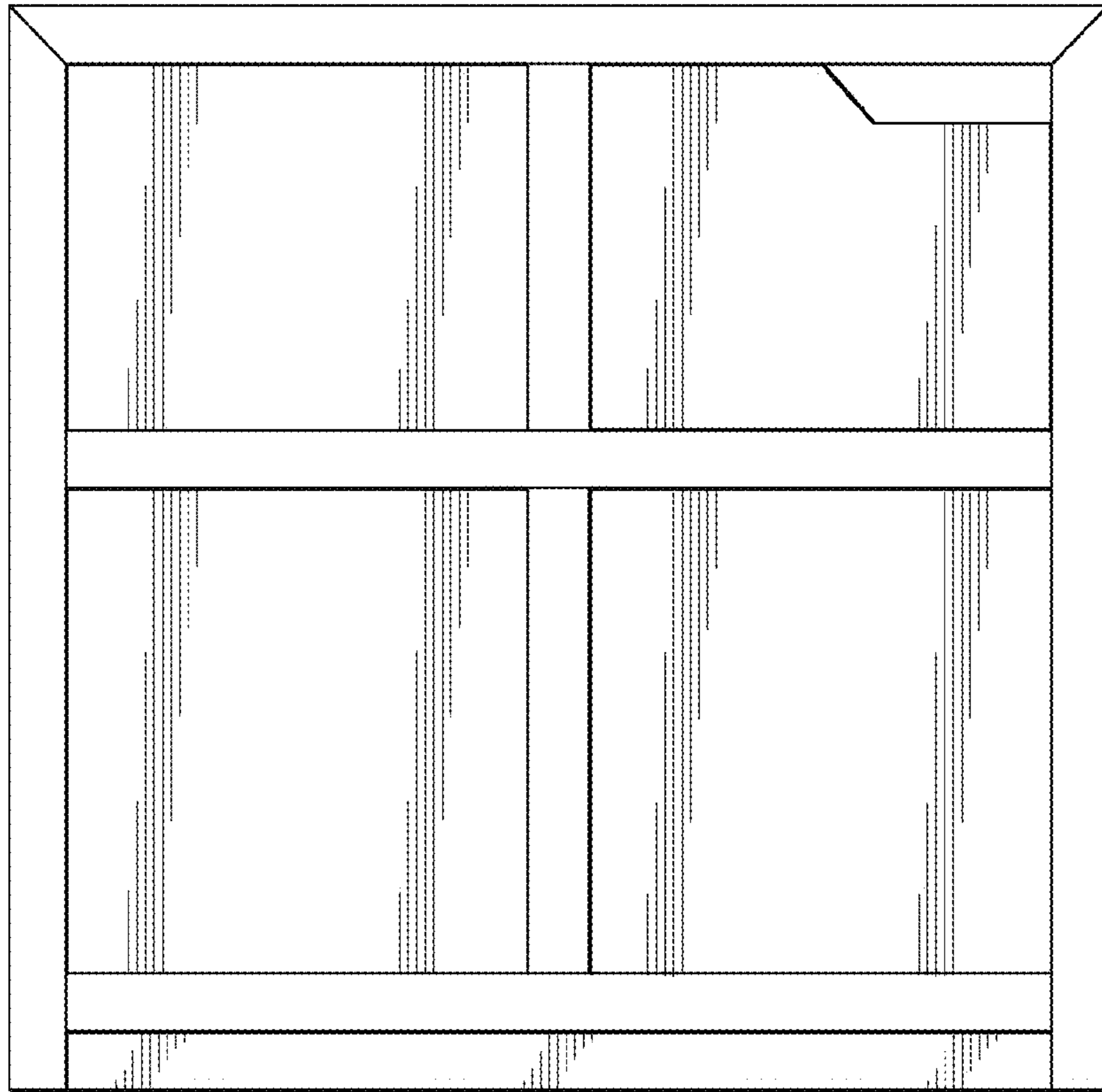


FIG. 4

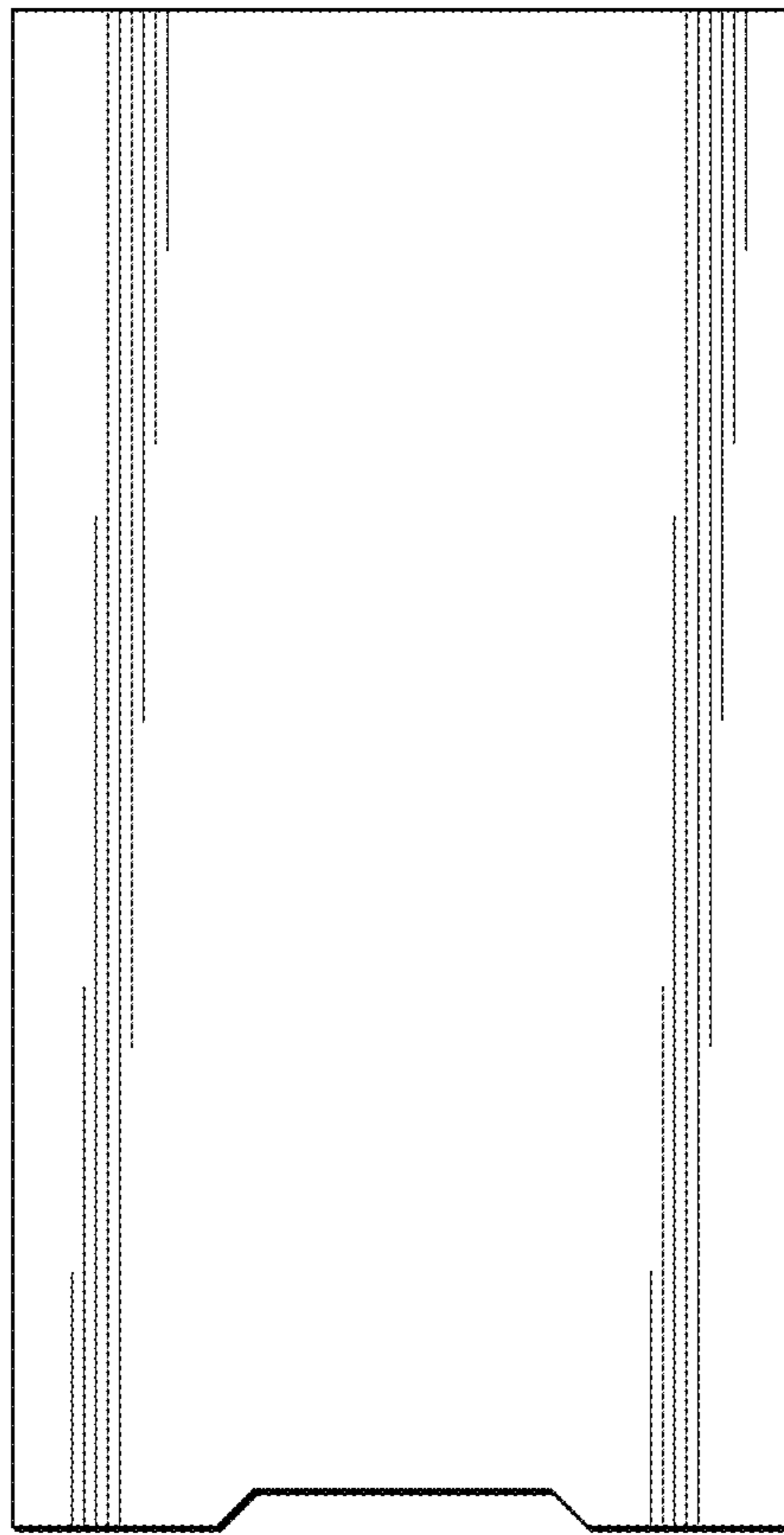


FIG. 5

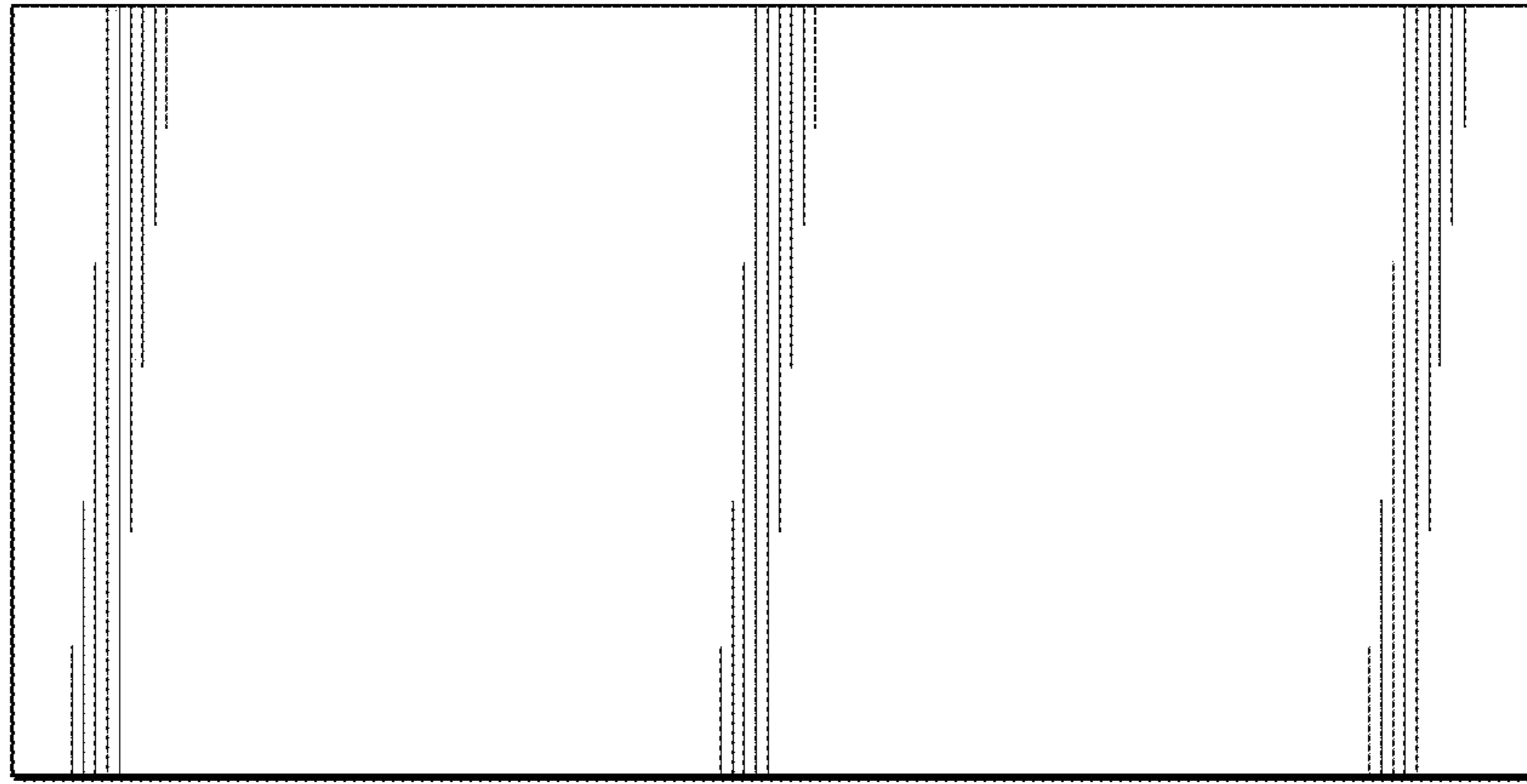


FIG. 6

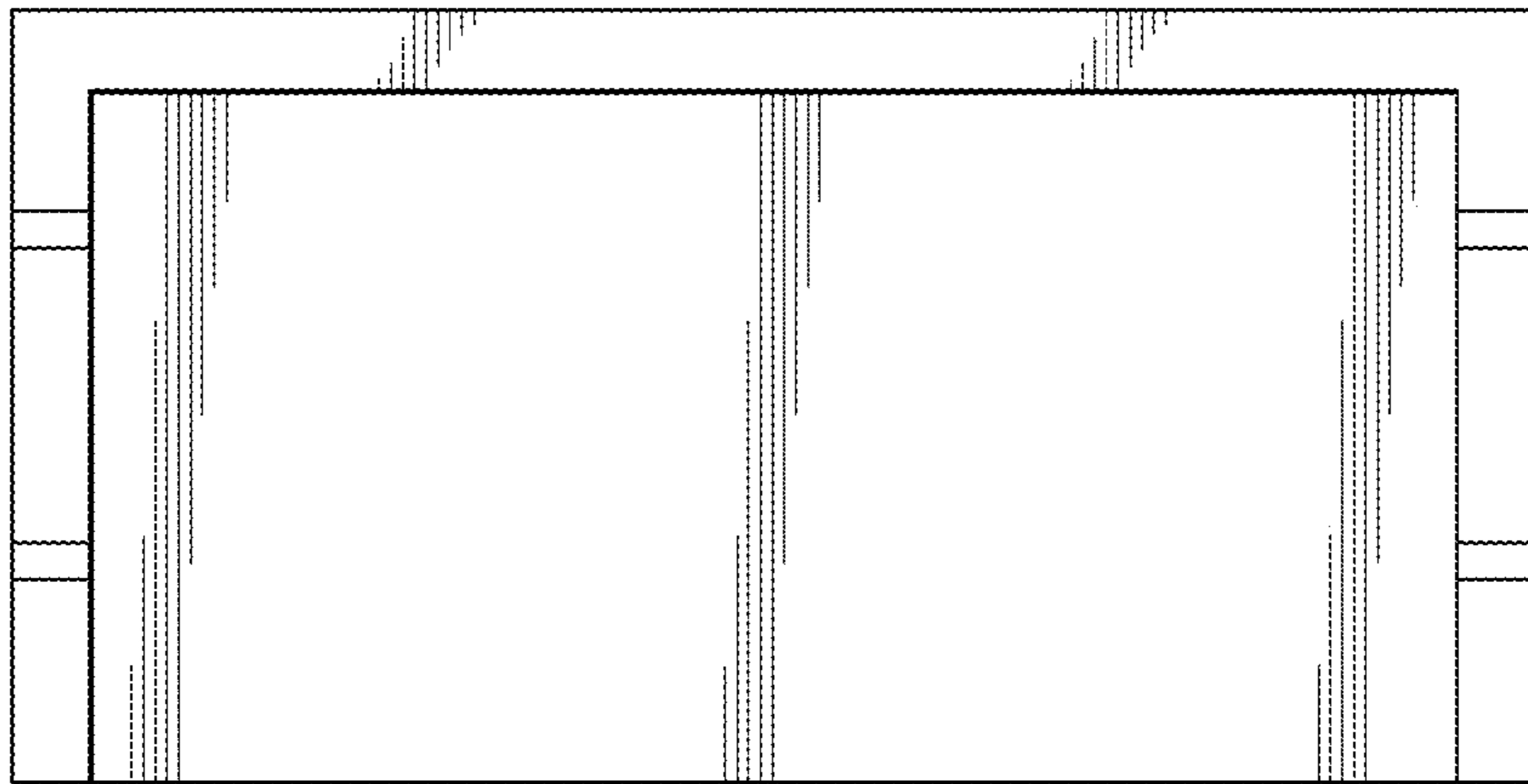


FIG. 7