



US00D719379S

(12) **United States Design Patent**  
**Tsuchiyama**

(10) **Patent No.:** **US D719,379 S**

(45) **Date of Patent:** **\*\* Dec. 16, 2014**

(54) **DESK**

(71) Applicant: **Okamura Corporation**, Yokohama-shi,  
Kanagawa (JP)

(72) Inventor: **Waku Tsuchiyama**, Yokohama (JP)

(73) Assignee: **Okamura Corporation**, Kanagawa (JP)

(\*\*) Term: **14 Years**

(21) Appl. No.: **29/448,077**

(22) Filed: **Mar. 8, 2013**

(30) **Foreign Application Priority Data**

Sep. 10, 2012 (JP) ..... 2012-021798

(51) **LOC (10) Cl.** ..... **06-03**

(52) **U.S. Cl.**  
USPC ..... **D6/656**

(58) **Field of Classification Search**  
USPC ..... D6/641, 642, 656, 656.16, 656.17, 651,  
D6/652, 654, 654.1, 654.17, 707.15, 644;  
312/194, 239; 108/50.01, 50.02;  
248/188, 188.1

See application file for complete search history.

(56) **References Cited**

**U.S. PATENT DOCUMENTS**

D460,639 S \* 7/2002 Crinion ..... D6/480  
6,725,784 B2 \* 4/2004 Crinion ..... 108/64  
D585,218 S \* 1/2009 Hamilton et al. .... D6/480  
D596,876 S \* 7/2009 Oshinomi et al. .... D6/480  
D649,811 S \* 12/2011 Martin et al. .... D6/484

2005/0263041 A1 \* 12/2005 Mueller et al. .... 108/50.02  
2005/0268823 A1 \* 12/2005 Bakker et al. .... 108/50.02  
2008/0295745 A1 \* 12/2008 Hamilton et al. .... 108/50.02

\* cited by examiner

*Primary Examiner* — Janice Seeger

(74) *Attorney, Agent, or Firm* — Sughrue Mion, PLLC

(57) **CLAIM**

The ornamental design for a desk, as shown and described.

**DESCRIPTION**

FIG. 1 is a perspective view of a desk.

FIG. 2 is a front elevation view thereof. A rear elevation view is a mirror image of the front elevation view.

FIG. 3 is a right side elevation view thereof. A left side elevation view is a mirror image of the right side elevation view.

FIG. 4 is a top plan view thereof.

FIG. 5 is a bottom plan view thereof.

FIG. 6 is an enlarged cross-sectional view taken along the line 6-6 in FIG. 2.

FIG. 7 is an enlarged cross-sectional view taken along the line 7-7 in FIG. 2.

FIG. 8 is a cross-sectional view taken along the line 8-8 in FIG. 2.

FIG. 9 is an enlarged cross-sectional view taken along the line 9-9 in FIG. 4.

FIG. 10 is an enlarged view of the portion 10-10 and 10'-10' in FIG. 7.

FIG. 11 is an enlarged view of the portion 11-11 and 11'-11' in FIG. 9.

FIG. 12 is a referential cross-sectional view showing use thereof; and,

FIG. 13 is a referential view showing use thereof.

Broken lines are used to show portions of the desk that are not being claimed, and thus form no part of the claimed invention.

**1 Claim, 13 Drawing Sheets**

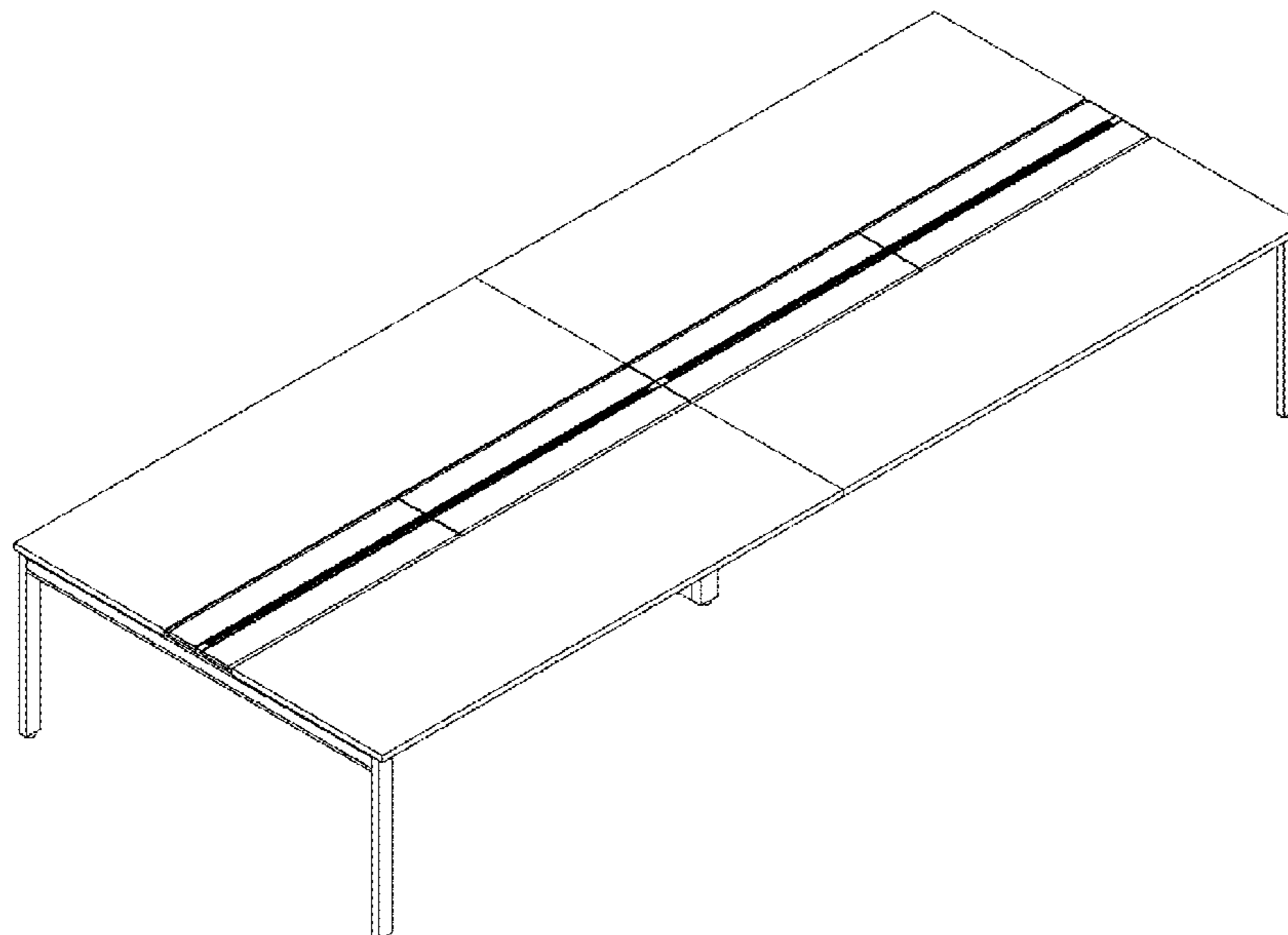


FIG. 1

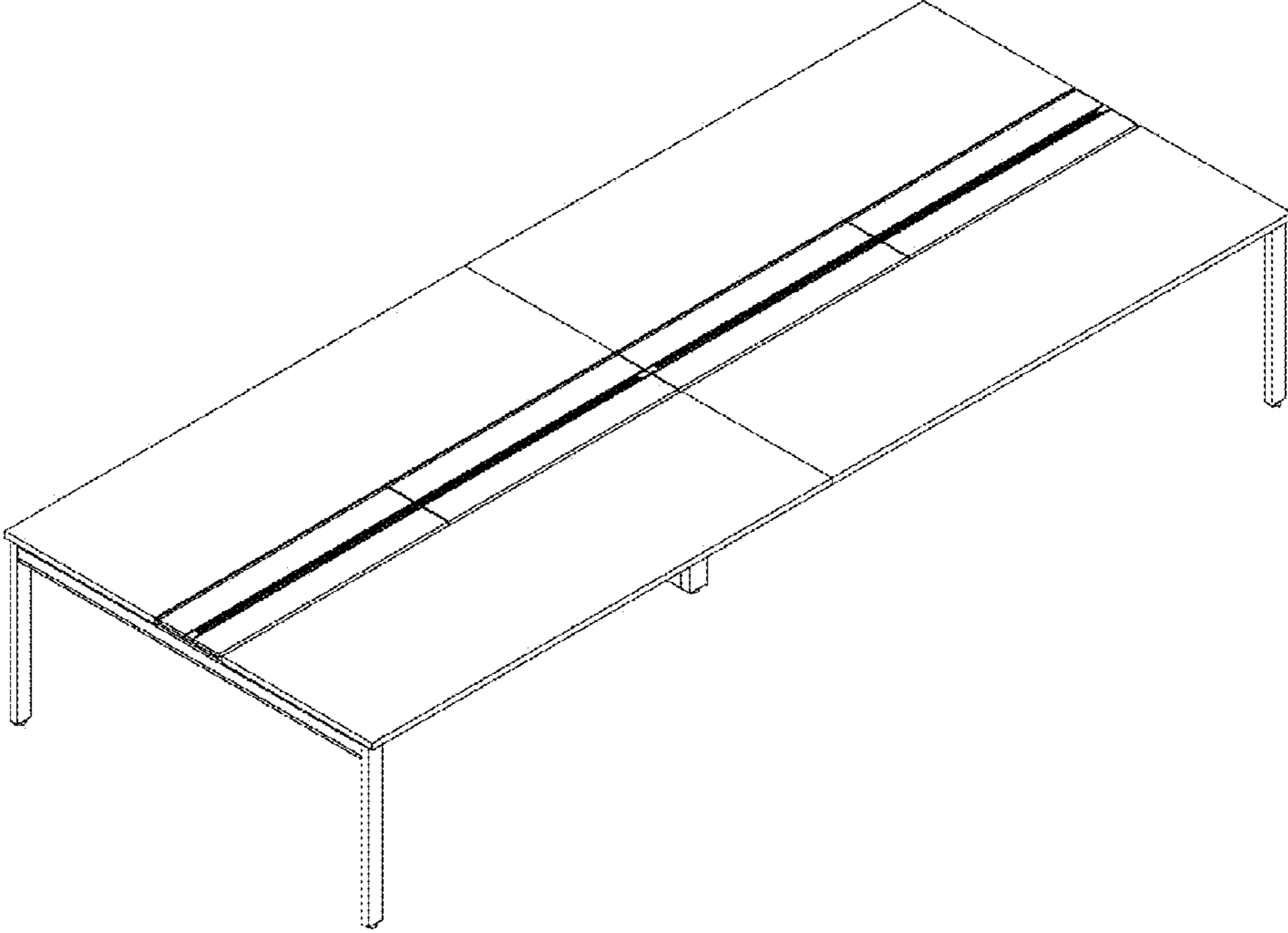


FIG. 2

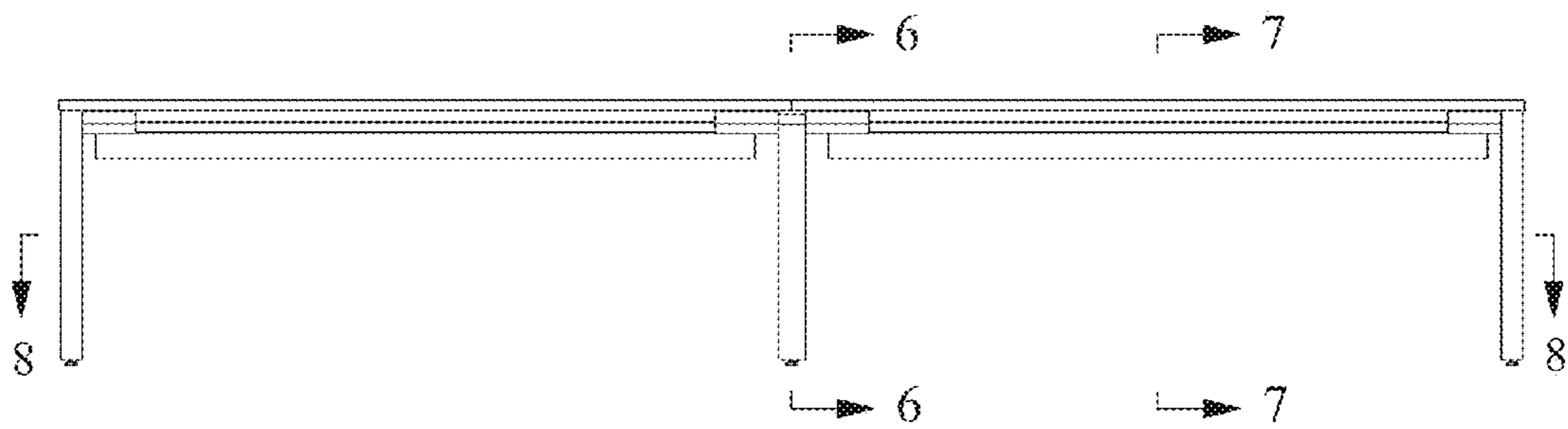


FIG. 3

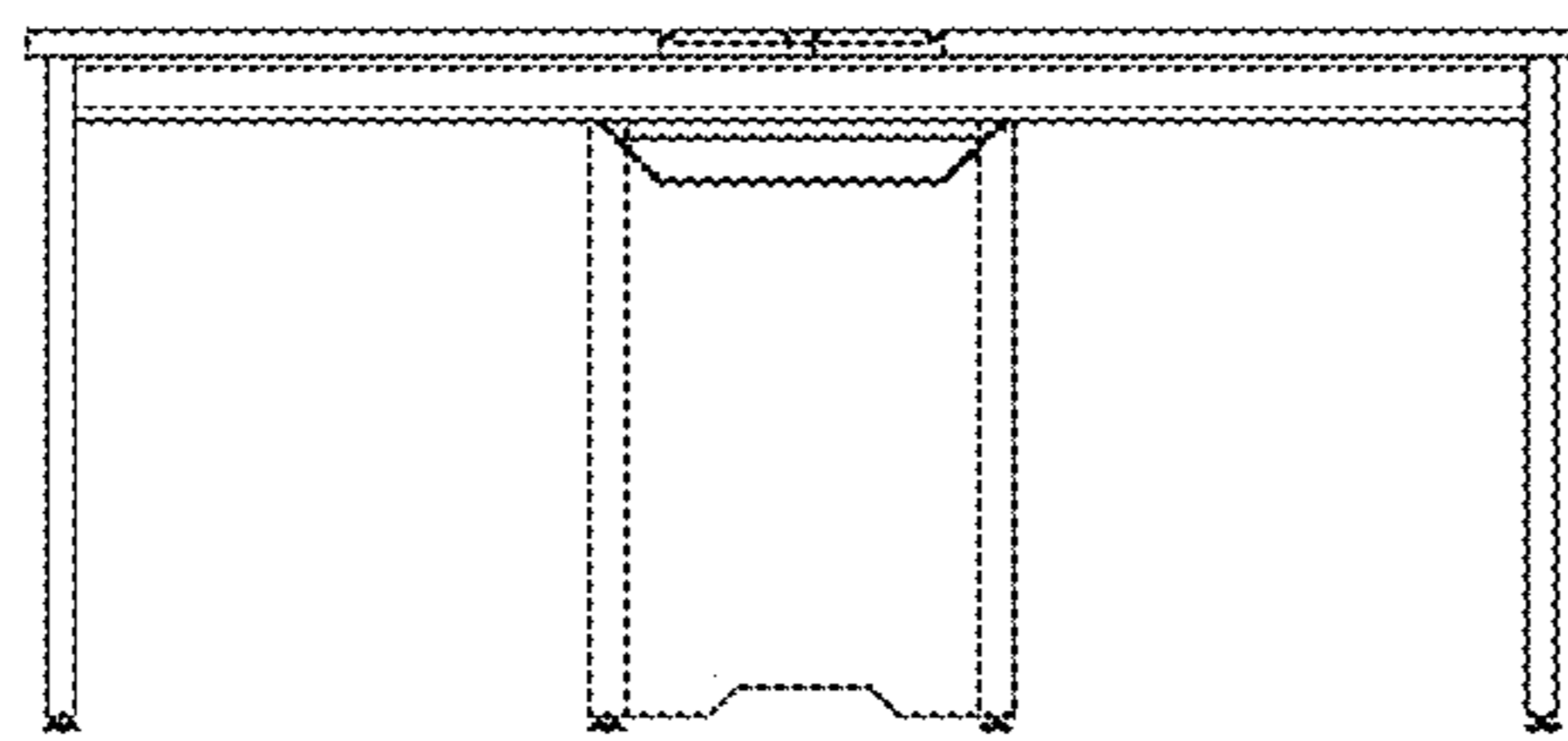


FIG. 4

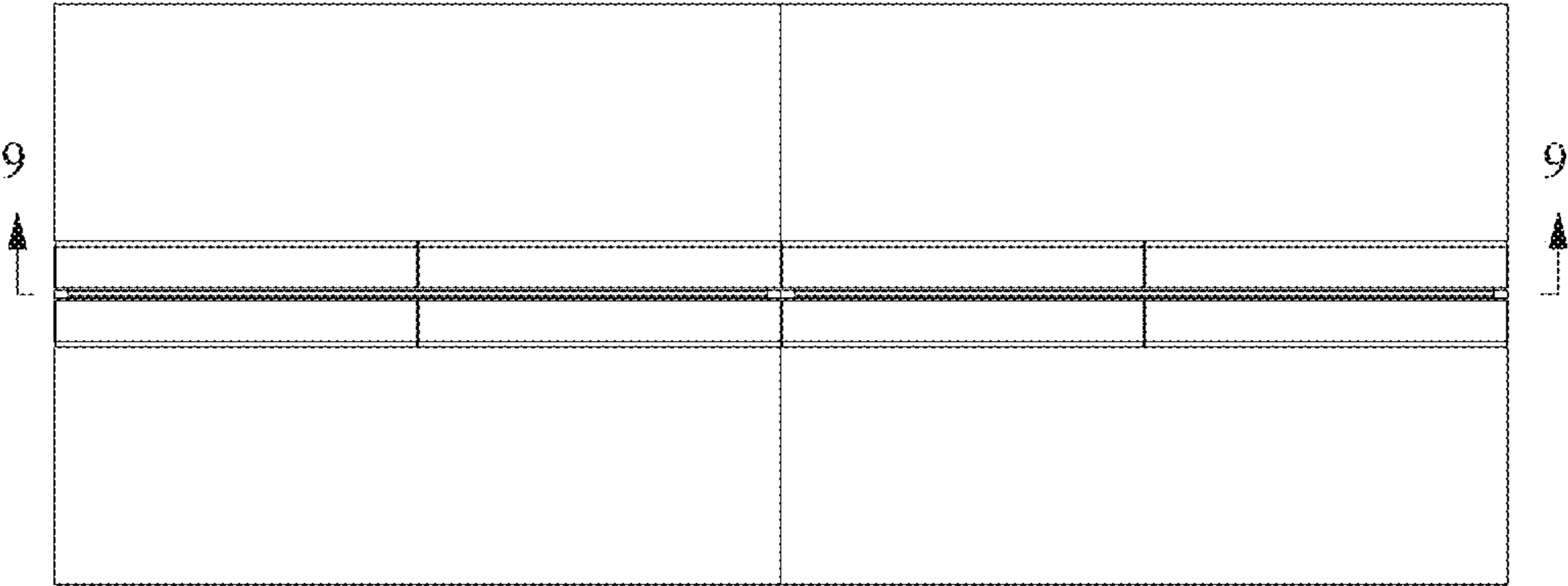


FIG. 5

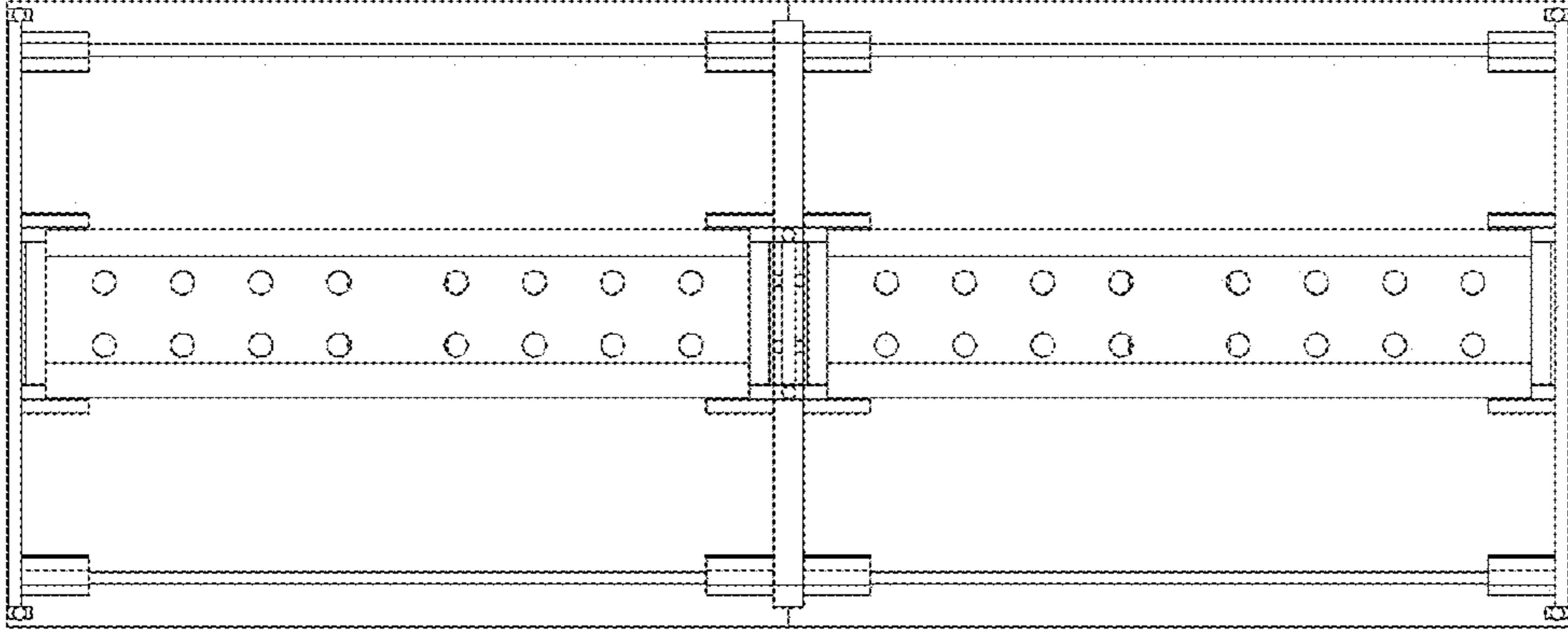


FIG. 6

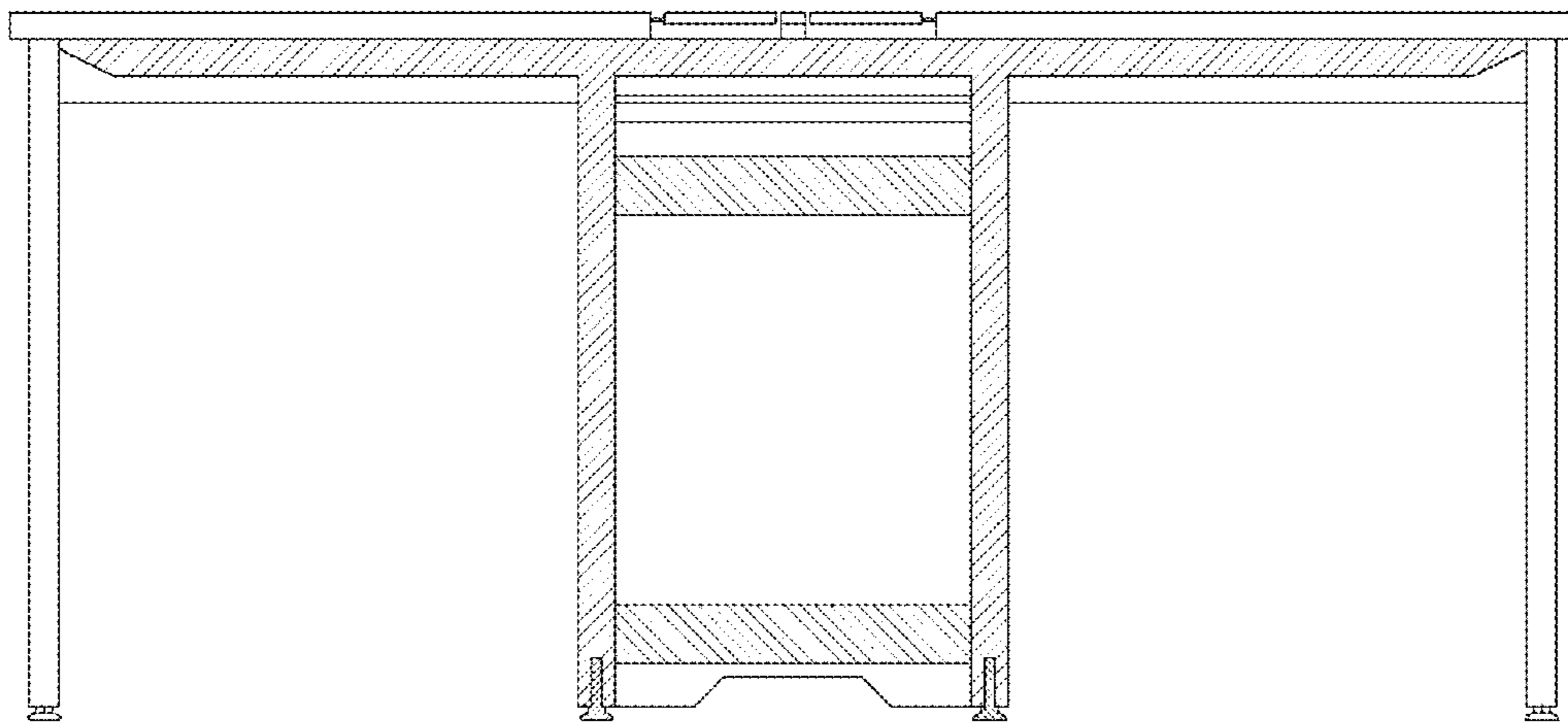


FIG. 7

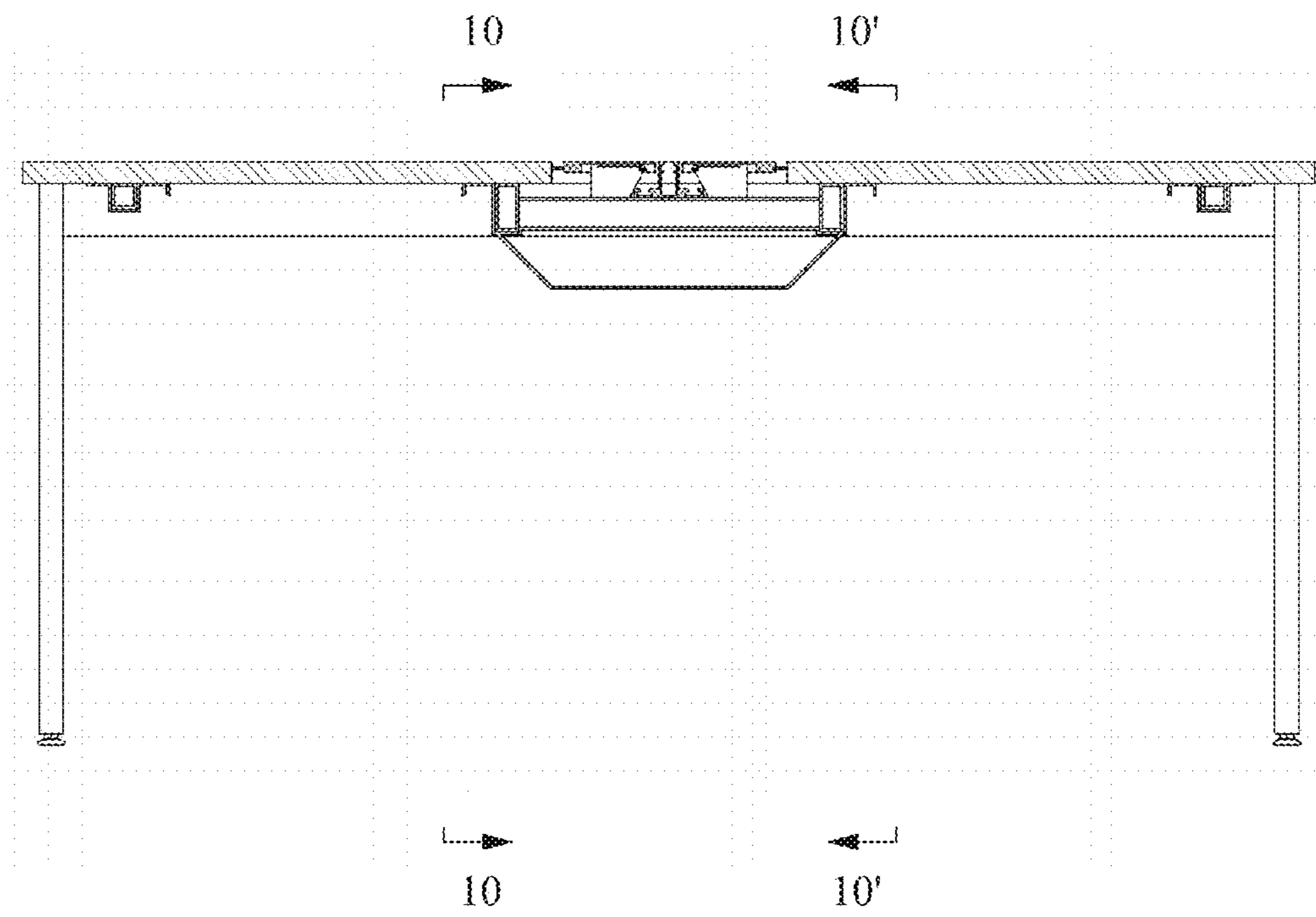




FIG. 8

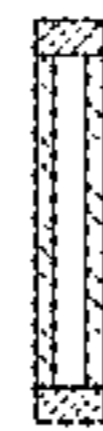
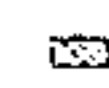


FIG. 9

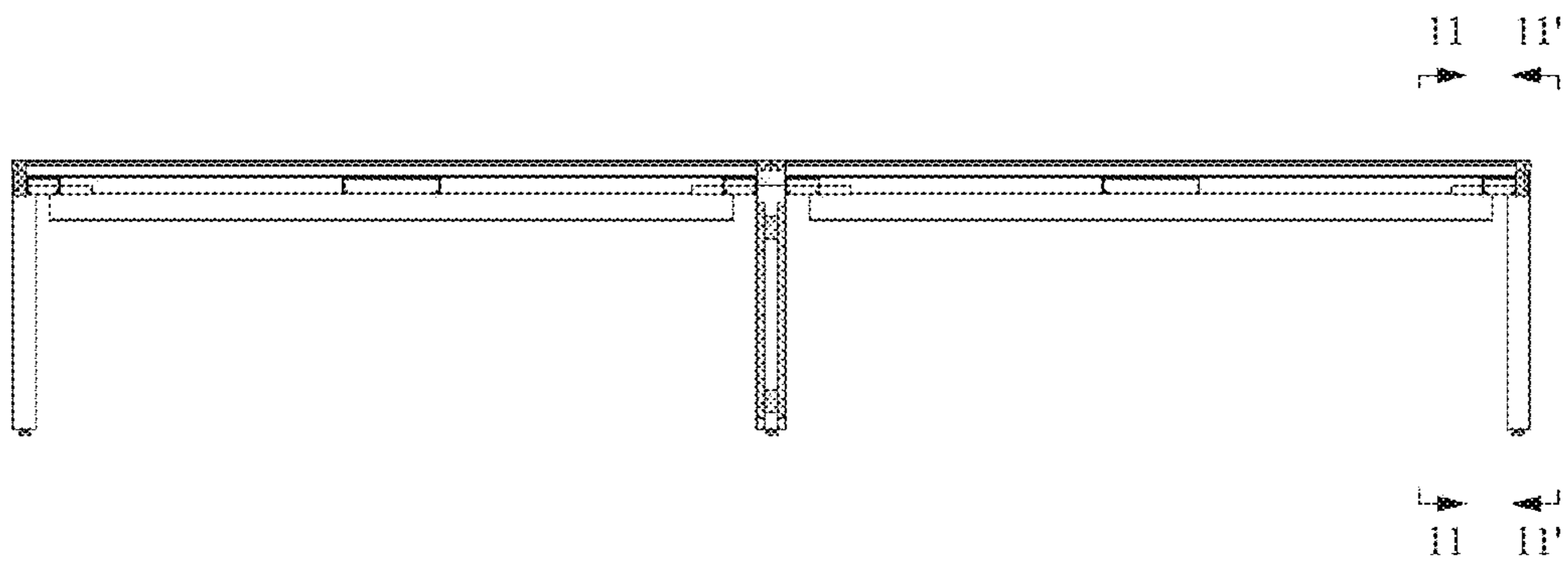


FIG. 10

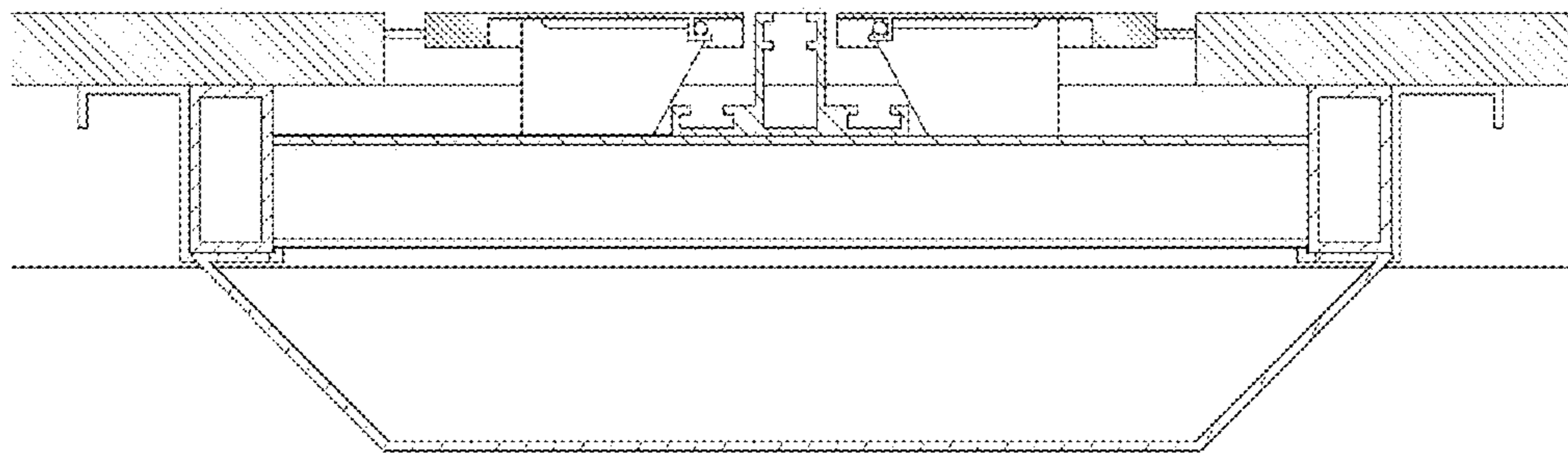


FIG. 11

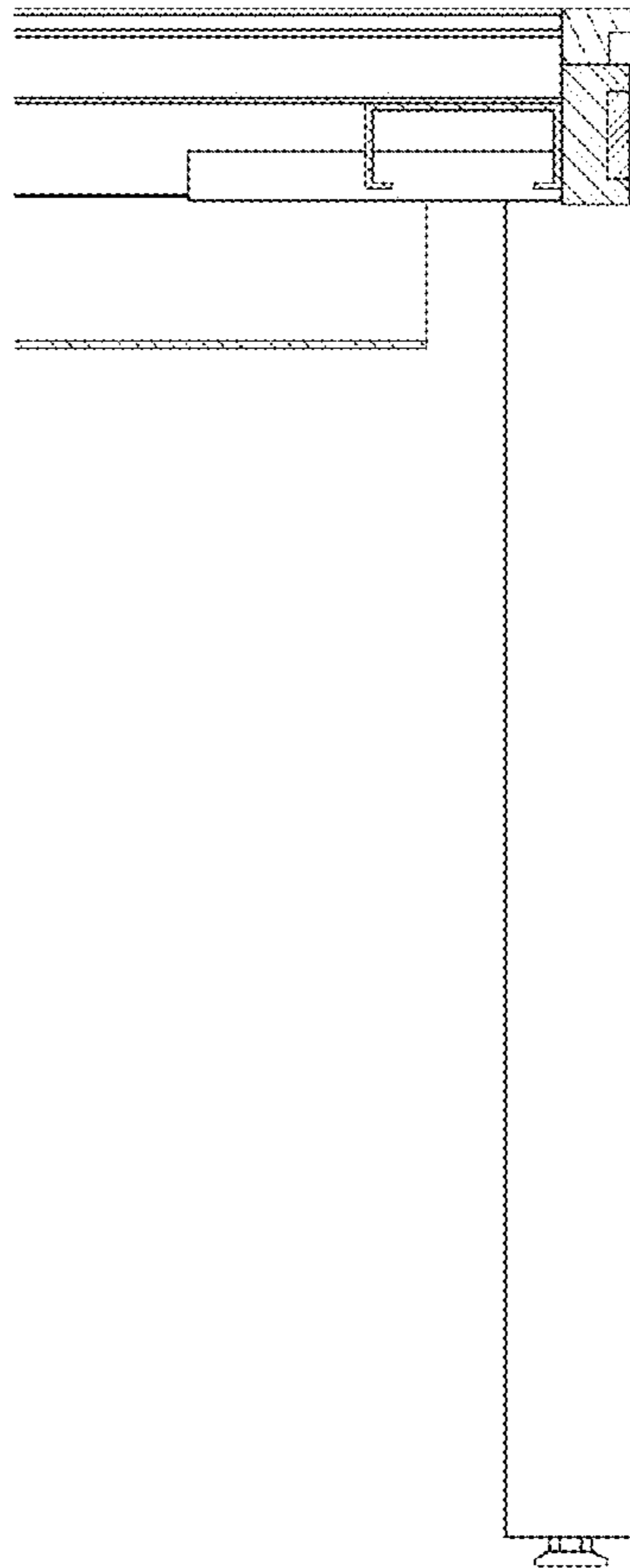


FIG. 12

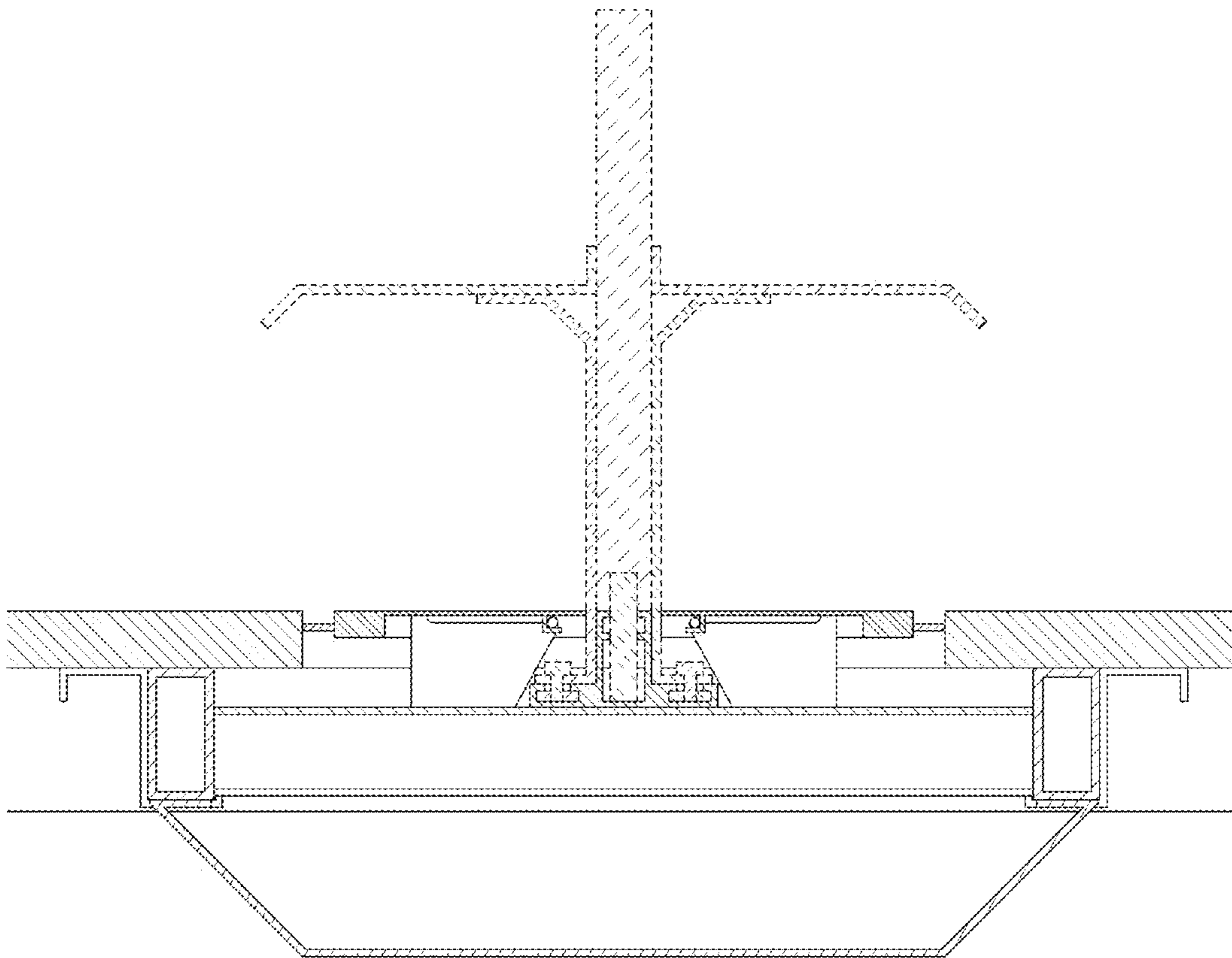


FIG. 13

